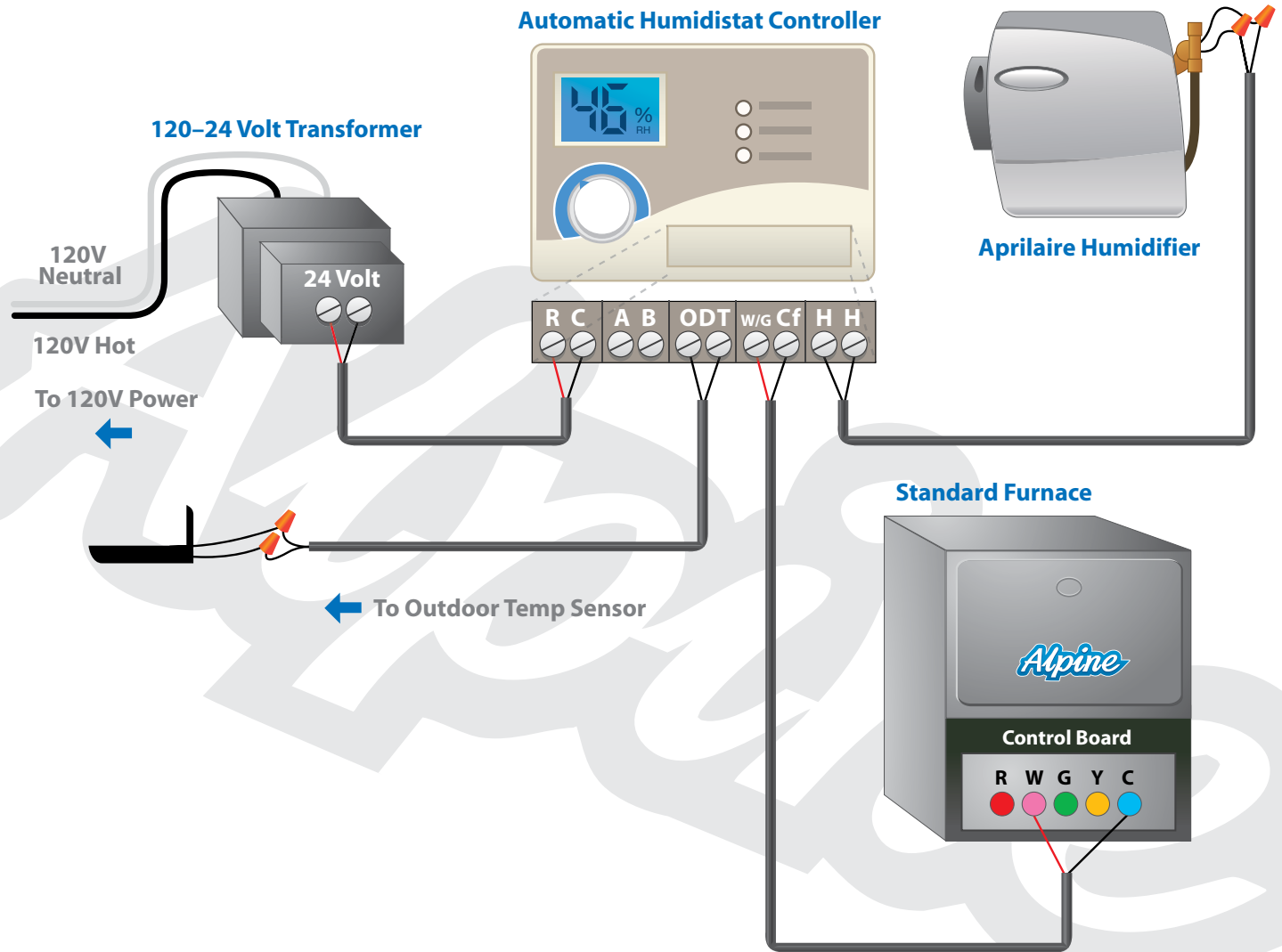
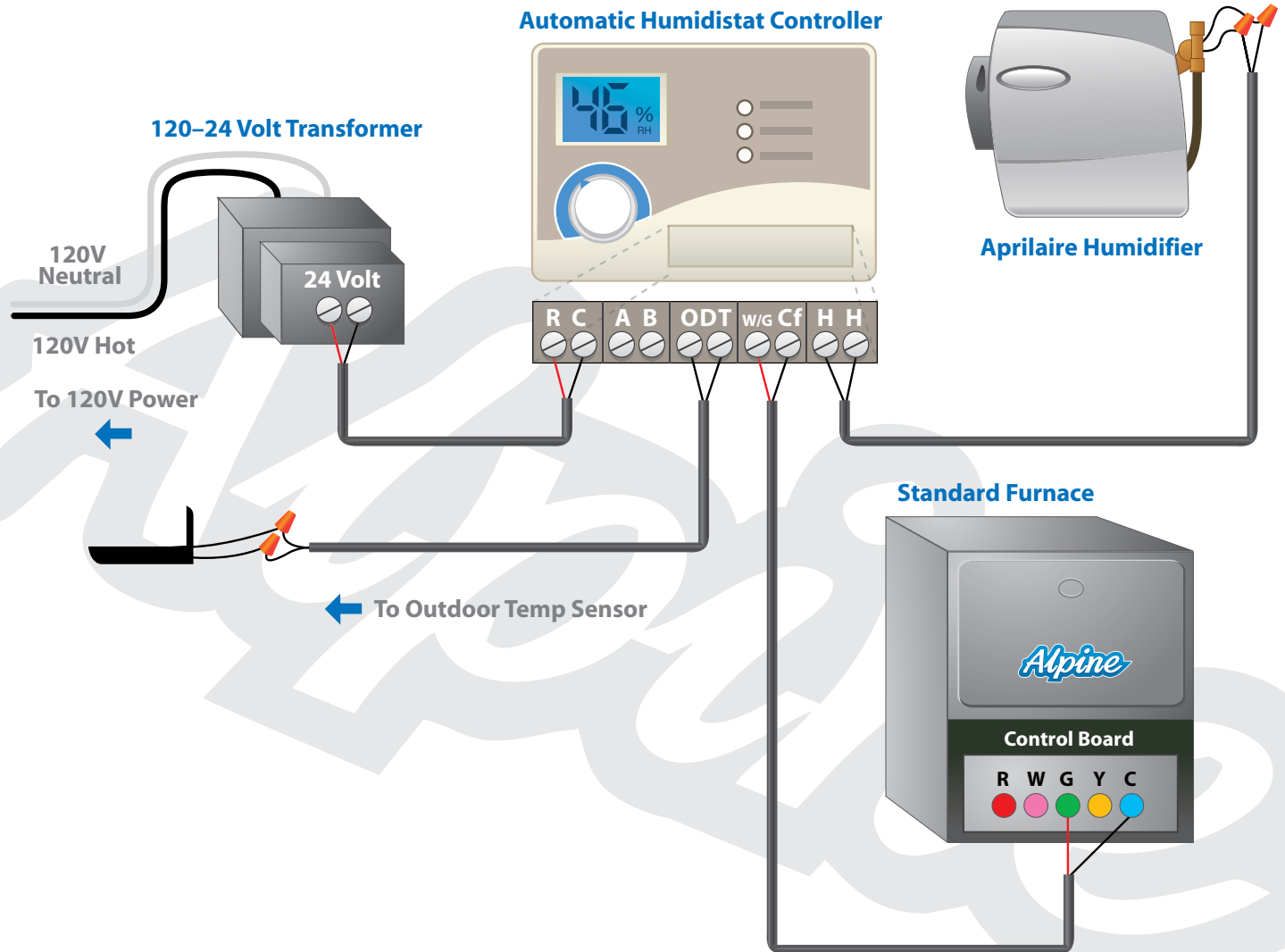


Aprilaire Automatic Humidifier Wiring



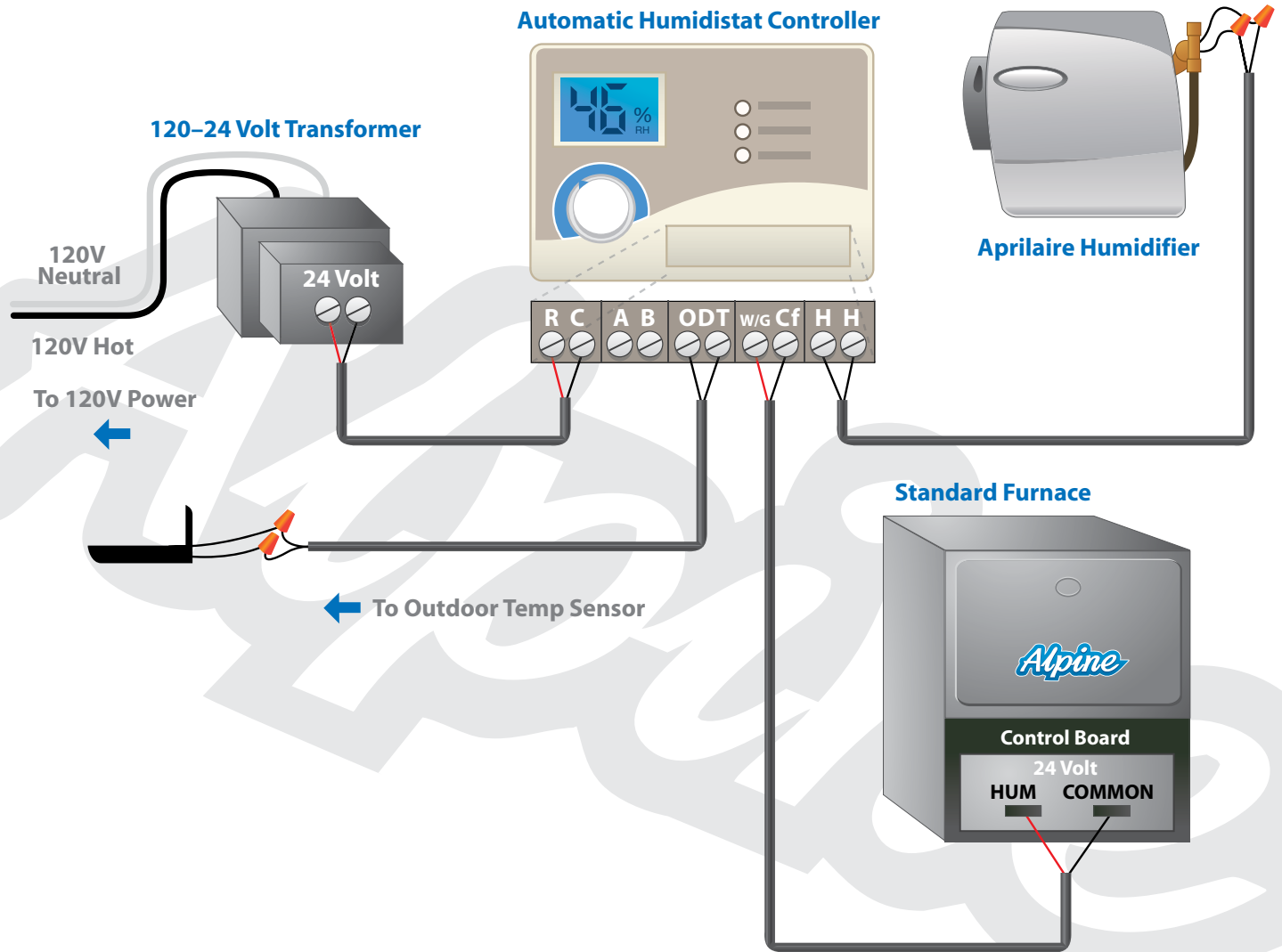
This configuration allows the humidifier to run only when there is a call for heat.

Aprilaire Automatic Humidifier Wiring



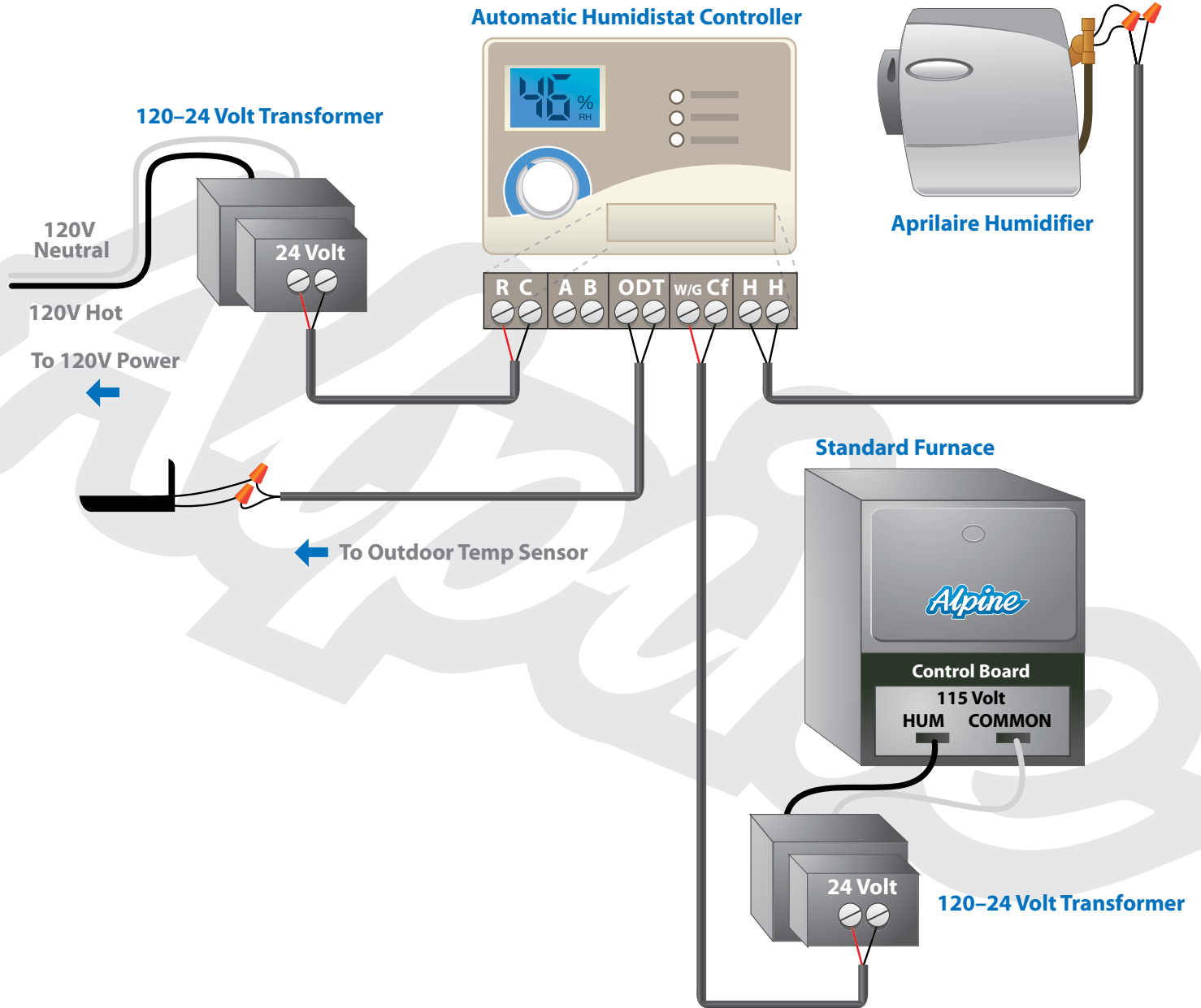
This configuration allows the humidifier to run whenever the fan switch is set to ON at the thermostat or when the blower operates for some electric heat pump applications.

Aprilaire Automatic Humidifier Wiring



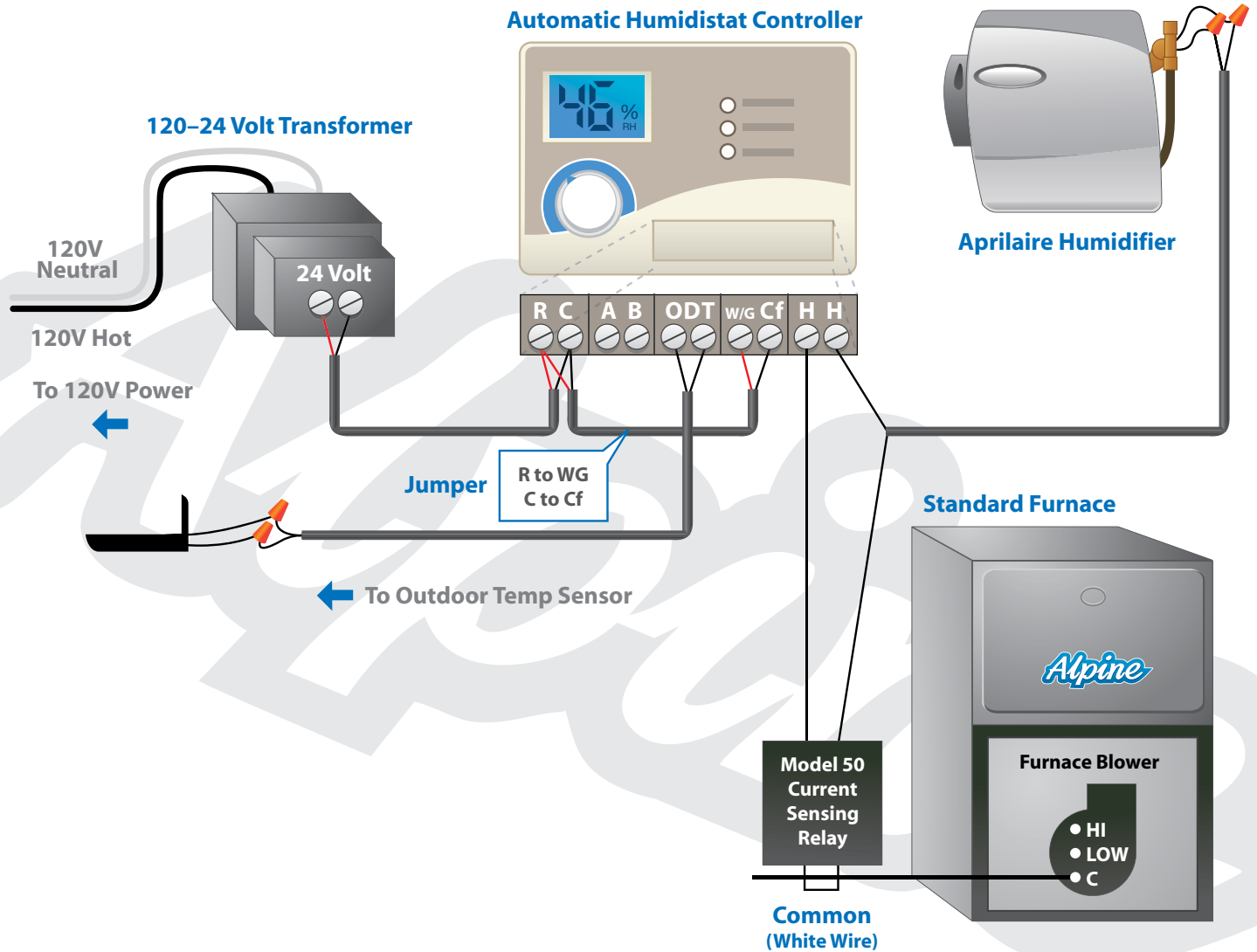
This configuration allows the humidifier to run whenever there is a call for heat. Make sure the "HUM" terminal is 24 volts and not 120 volts. If the terminal is 120 volts, a 24 volt transformer will have to be installed. (Refer to your furnace's manual for voltage.)

Aprilaire Automatic Humidifier Wiring



This configuration allows the humidifier to run only when there is a call for heat. Refer to your furnace's manual for the voltage on the "HUM" terminal. This diagram indicates the "HUM" terminal is 115 volts.

Aprilaire Automatic Humidifier Wiring



This configuration will allow the humidifier to run whenever the blower motor is operating. Please note that this configuration will NOT work on variable speed handlers or furnaces. It will only work on standard DC motors.