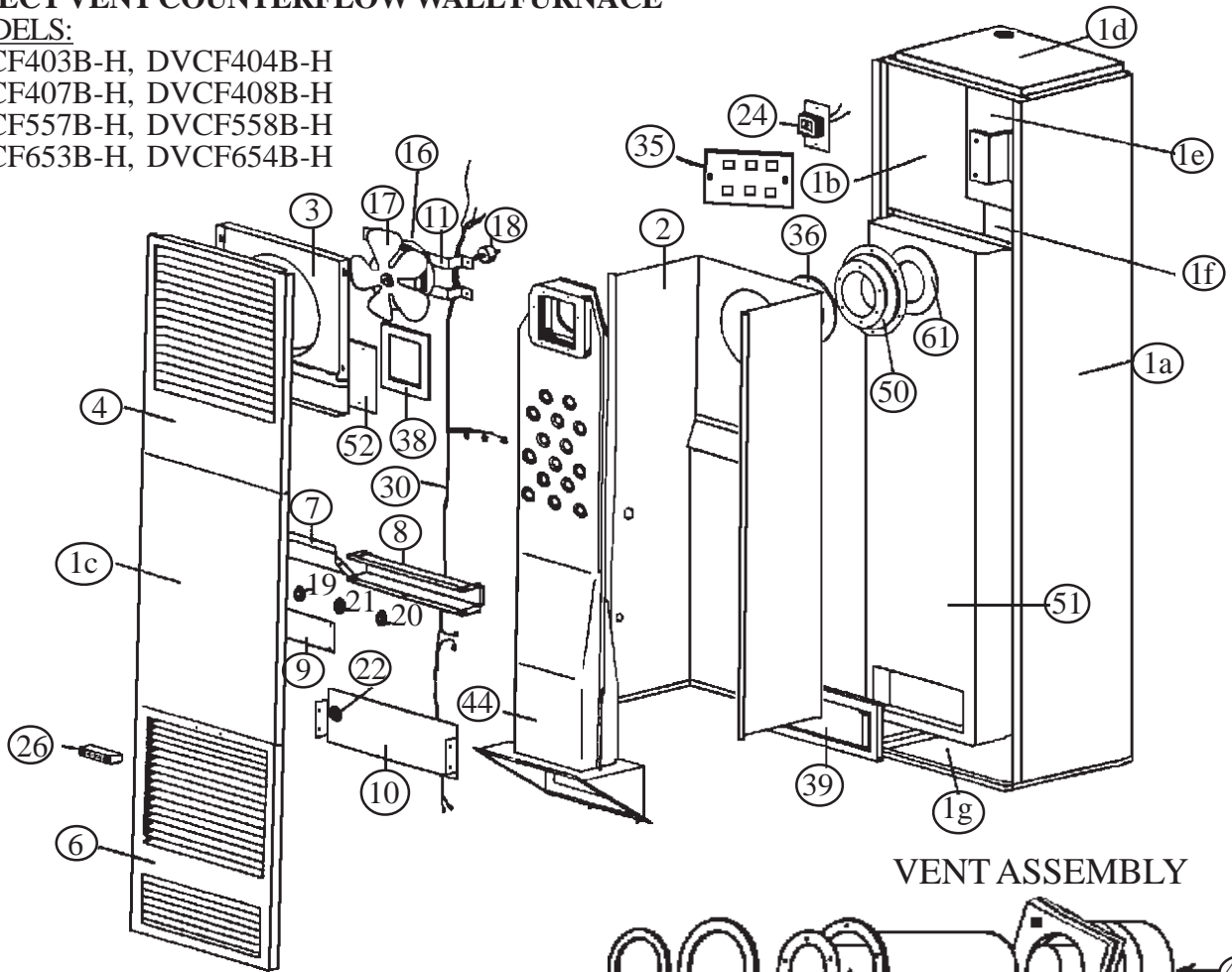


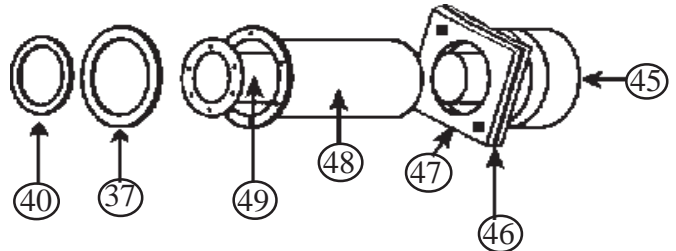
**DIRECT VENT COUNTERFLOW WALL FURNACE**

**MODELS:**

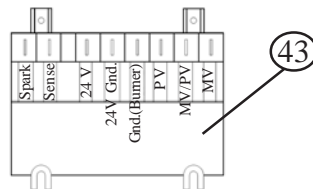
- DVCF403B-H, DVCF404B-H
- DVCF407B-H, DVCF408B-H
- DVCF557B-H, DVCF558B-H
- DVCF653B-H, DVCF654B-H



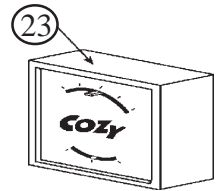
**VENT ASSEMBLY**



**I.I.D. CONTROL MODULE  
HONEYWELL**



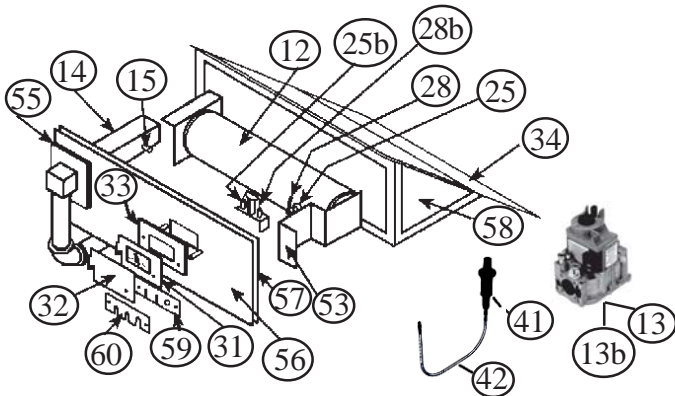
**THERMOSTAT**



**ATTN: CONTRACTORS AND SERVICE TECHNICIANS,** we only sell parts through our wholesalers, but the prices listed are for your convenience. For prompt parts service, contact the wholesaler from which you purchased your Cozy heater. **NOTE:** Parts & schematic drawings on current models are shown at [www.cozyheaters.com](http://www.cozyheaters.com).

**BURNERASSEMBLY**

DVCF40B-H, DVCF55B-H, DVCF65B-H SERIES



**USE ONLY FACTORY SUPPLIED PARTS**

Prices and specifications subject to change without notice. All prices are F.O.B. factory.

MARCH 2009  
REV. 03/05

## HOW TO PROPERLY ORDER PARTS

In addition to part description and part number, please give model number, serial number, and type of gas used.

MODEL NUMBER	NAT.	DVCF403B-H		DVCF407B-H		DVCF557B-H		DVCF653B-H	
	L.P.	DVCF404B-H		DVCF408B-H		DVCF558B-H		DVCF654B-H	
PART DESCRIPTION	REF. NO.	PART NO.	LIST PRICE	PART NO.	LIST PRICE	PART NO.	LIST PRICE	PART NO.	LIST PRICE
Casing Side, Right	1a	34065	\$ 68.80	34065	\$ 68.80	34560	\$ 75.30	34560	\$ 75.30
Casing Side, Left	1b	34055	\$ 68.80	34055	\$ 68.80	34550	\$ 75.30	34550	\$ 75.30
Center Front Panel Assembly	1c	34104	\$ 34.20	34104	\$ 34.20	30534	\$ 35.30	30534	\$ 35.30
Top Assembly	1d	34050	\$ 13.00	34050	\$ 13.00	34050	\$ 13.00	34050	\$ 13.00
Upper Back Assembly	1e	34080	\$ 52.50	34080	\$ 52.50	34080	\$ 52.50	34080	\$ 52.50
Lower Back Assembly	1f	34090	\$ 44.80	34090	\$ 44.80	34575	\$ 49.50	34575	\$ 49.50
Bottom Assembly	1g	34070	\$ 19.70	34070	\$ 19.70	34070	\$ 19.70	34070	\$ 19.70
Casing Mounting Brackets	NA	*30260	\$ 1.60	*30260	\$ 1.60	*30260	\$ 1.60	*30260	\$ 1.60
Liner Assembly	2	34115	\$ 99.80	34115	\$ 99.80	34600	\$ 107.50	34600	\$ 107.50
Fan Shroud Assembly	3	34140	\$ 29.20	34140	\$ 29.20	34140	\$ 29.20	34140	\$ 29.20
Top Louver	4	34100	\$ 20.00	34100	\$ 20.00	34590	\$ 21.70	34590	\$ 21.70
Bottom Louver Assembly	6	30100	\$ 38.90	30100	\$ 38.90	30100	\$ 38.90	30100	\$ 38.90
Upper Front Shield	7	30250	\$ 4.30	30250	\$ 4.30	30250	\$ 4.30	30250	\$ 4.30
Switch Box	8	30252	\$ 8.80	30252	\$ 8.80	30450	\$ 8.90	30450	\$ 8.90
Switch Box Cover	9	30253	\$ 3.50	30253	\$ 3.50	30253	\$ 3.50	30253	\$ 3.50
Lower Front Shield	10	30256	\$ 6.30	30256	\$ 6.30	30256	\$ 6.30	30256	\$ 6.30
Motor Mounting Bracket	11	*34088	\$ 4.40	*34088	\$ 4.40	*34579	\$ 2.50	*34579	\$ 2.50
Burner	12	72107	\$ 46.80	72107	\$ 46.80	72107	\$ 46.80	72107	\$ 46.80
Pilot Bracket	53	34440	\$ 4.90	34440	\$ 4.90	34440	\$ 4.90	34440	\$ 4.90
Valve, VR8200H-1004, Nat. w/78089 Dis. Bushing	13	78090	\$ 153.50	N/A	N/A	N/A	N/A	78090	\$ 153.50
Valve, VR8200H-1103, L.P. w/78089 Dis. Bushing	13	78091	\$ 158.60	N/A	N/A	N/A	N/A	78091	\$ 158.60
Valve, VR8204H-1006, Nat. w/78089 Dis. Bushing	13b	N/A	N/A	78092	\$ 150.70	78092	\$ 150.70	N/A	N/A
Valve, VR8204H-1006 (Conv.), L.P. w/78089 Bushing	13b	N/A	N/A	78093	\$ 150.70	78093	\$ 150.70	N/A	N/A
Disappearing Bushing 1/2x3/8	NA	78089	\$ 2.40	78089	\$ 2.40	78089	\$ 2.40	78089	\$ 2.40
Manifold	14	72103	\$ 23.50	72103	\$ 23.50	72103	\$ 23.50	72103	\$ 23.50
Burner Orifice, Natural Gas	15	72147	\$ 4.20	72147	\$ 4.20	72140	\$ 4.20	72142	\$ 4.20
Burner Orifice, L.P. Gas	15	72149	\$ 4.20	72149	\$ 4.20	72141	\$ 4.20	72143	\$ 4.20
Fan Motor	16	72108	\$ 90.70	72108	\$ 90.70	72110	\$ 103.00	72110	\$ 103.00
Fan Blade	17	78101	\$ 29.60	78101	\$ 29.60	78101	\$ 29.60	78101	\$ 29.60
Rubber Grommet (Requires 4)	18	**78010	\$ 3.80	**78010	\$ 3.80	**78010	\$ 3.80	**78010	\$ 3.80
Limit Switch 60T11-L220F	19	N/A	N/A	N/A	N/A	72160	\$ 7.20	72160	\$ 7.20
Limit Switch 60T11-L180F	19	78065	\$ 7.20	78065	\$ 7.20	N/A	N/A	N/A	N/A
Fan Switch 60T12-120-15 Deg. F	20	78067	\$ 7.50	78067	\$ 7.50	78067	\$ 7.50	78067	\$ 7.50
Speed Switch 60T13-F160-30	21	N/A	N/A	N/A	N/A	78066	\$ 10.90	78066	\$ 10.90
Aux. Limit Switch 60T15-L350	22	78086	\$ 11.40	78086	\$ 11.40	78086	\$ 11.40	78086	\$ 11.40
Thermostat 24 Volt	23	78355	\$ 24.60	78355	\$ 24.60	78355	\$ 24.60	78355	\$ 24.60
Transformer	24	78069	\$ 28.90	78069	\$ 28.90	78069	\$ 28.90	78069	\$ 28.90
Transformer Plate	NA	34089	\$ 4.60	34089	\$ 4.60	34089	\$ 4.60	34089	\$ 4.60
Terminal Board	35	78300	\$ 6.20	78300	\$ 6.20	78300	\$ 6.20	78300	\$ 6.20
Pilot 0.140.512, Natural Gas (w/Electrode)	25	72020	\$ 27.80	N/A	N/A	N/A	N/A	72020	\$ 27.80
Pilot 0.140.502, L.P. Gas (w/Electrode)	25	72021	\$ 27.80	N/A	N/A	N/A	N/A	72021	\$ 27.80
Cozy Handle	26	84003	\$ 2.70	84003	\$ 2.70	84003	\$ 2.70	84003	\$ 2.70
Thermostat Wire	27	74518	\$ 1.70	74518	\$ 1.70	74518	\$ 1.70	74518	\$ 1.70
Thermocouple Q309A1954	28	78095	\$ 14.00	N/A	N/A	N/A	N/A	78095	\$ 14.00
Insulated Staples	29	74209	\$ 1.60	74209	\$ 1.60	74209	\$ 1.60	74209	\$ 1.60
Pilot Assy. Electronic w/Flame Ignitor Nat.	25b/28b	N/A	N/A	78098	\$ 36.60	78098	\$ 36.60	N/A	N/A
Pilot Assy. Electronic w/Flame Ignitor L.P.	25b/28b	N/A	N/A	78099	\$ 36.60	78099	\$ 36.60	N/A	N/A
Wiring Harness	30	72251	\$ 23.00	72251	\$ 23.00	72250	\$ 25.90	72250	\$ 25.90

**Mr. Contractor**, we only sell parts through our wholesalers, but the prices listed above are for your convenience. For prompt parts service, contact the wholesaler from which you purchased your Cozy heater. **NOTE:** Parts & schematic drawings on current models are shown at [www.cozyheaters.com](http://www.cozyheaters.com).

PARTS LIST CONTINUED

\* Requires 2    \*\* Requires 4

