

Split System Air Conditioner

13
seer

Form No. D13ACD-100 (11/2010)

13ACD Features and Benefits

- Nitrogen charged for replacement of R22 components only
- High-quality condenser coil with copper tubing and enhanced louvered fin for maximum heat transfer capacity
- Top discharge directs hot air away from living area and shrubbery
- All units factory run tested
- Available with wire guard coil protection
- Easy access to electrical panels
- Corner mounted service valves for easy hook-up and service
- All units UL and ULC approved



WARRANTY

- 5 year limited warranty on compressor,
5 year limited warranty on all parts

Model Number Guide



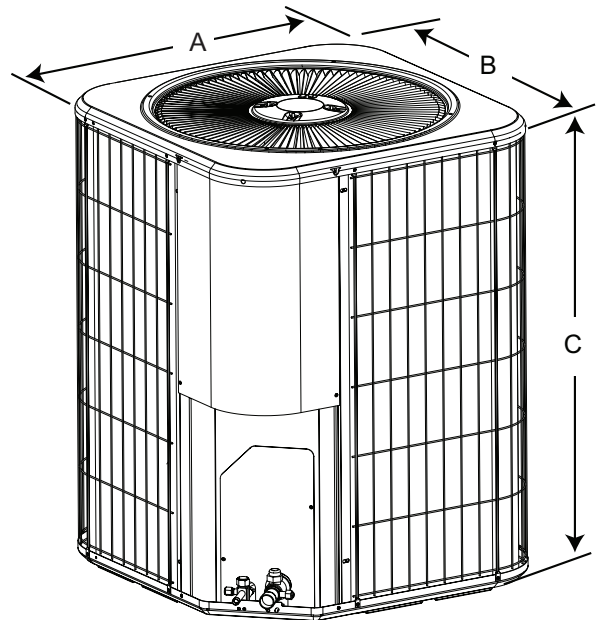
Electrical and Physical Data

Model	Voltage/ Hz/ Phase	Voltage Range	Min. Circuit (Amps)	Max. Fuse (Amps)	Compressor		Outdoor Fan Motor			Field Supplied R22 Charge (oz.)	Shipping Weight (lbs)
					Rated Load (Amps)	Locked Rotor (Amps)	Full Load (Amps)	Rated HP	Nom. RPM		
13ACD018	208-230/60/1	197-253	10.4	15	7.7	40	0.7	1/10	1075	61	117
13ACD024	208-230/60/1	197-253	13.7	20	10.4	54	0.7	1/10	1075	67	118
13ACD030	208-230/60/1	197-253	18.8	30	14.1	67	1.1	1/5	1075	77	136
13ACD036	208-230/60/1	197-253	19.1	30	14.4	77	1.1	1/5	1075	92	136
13ACD042	208-230/60/1	197-253	25.7	40	19.2	104	1.7	1/4	825	102	165
13ACD048	208-230/60/1	197-253	25.7	40	19.2	97	1.7	1/4	825	120	184
13ACD060	208-230/60/1	197-253	33.3	60	26.1	141	1.7	1/4	825	160	206

Note:
Weights listed are unit weights with packaging
Units are factory shipped with dry nitrogen holding charge

Unit Dimensions & Sound Ratings

Model	Dimensions			Sound Ratings (dBa)
	A - width (in.)	B - depth (in.)	C - height (in.)	
13ACD018	24.25	24.25	25.25	76
13ACD024	24.25	24.25	25.25	76
13ACD030	24.25	24.25	33.25	76
13ACD036	24.25	24.25	33.25	76
13ACD042	28.25	28.25	29.25	79
13ACD048	28.25	28.25	37.25	79
13ACD060	28.25	28.25	33.25	79



Cooling Performance with Evaporator Coils

Outdoor Model	Indoor Model	SEER	EER	Rated Capacity BTUH	Sensible Capacity BTUH	CFM	Refrigerant Connection				Refrigerant Line Size		Indoor Expansion Device	
	Evaporator Coil						Outdoor		Indoor		Suction	Liquid	Piston	TXV
							Suction	Liquid	Suction	Liquid				
13ACD018	E(U,C,M,H)1P18A,B+TDR	13.0	11.0	17,700	13,600	600	3/4	3/8	3/4	3/8	3/4	3/8	0.055	A2TXV01
13ACD024	E(U,C,M,H)1P24A,B+TDR	13.0	11.0	23,400	18,700	800	3/4	3/8	3/4	3/8	3/4	3/8	0.062	A2TXV01
13ACD030	E(U,C,M,H)1P24A,B+TDR	13.0	11.0	28,000	21,300	900	3/4	3/8	3/4	3/8	3/4	3/8	0.067	A2TXV01
13ACD036	E(U,C,M,H)1P36B,C+TDR	13.0	11.0	35,000	27,700	1200	7/8	3/8	3/4	3/8	7/8	3/8	0.076	A2TXV01
13ACD042	E(U,C,M,H)1P43B,C+TDR	13.0	11.0	41,500	32,400	1400	7/8	3/8	7/8	3/8	7/8	3/8	0.080	A2TXV02
13ACD048	E(U,C,M,H)1P50C+TDR	13.0	11.0	45,500	35,500	1600	7/8	3/8	7/8	3/8	7/8	3/8	0.089	A2TXV02
13ACD060	E(U,C,M,H)1P50C+TDR	13.0	11.0	58,000	44,100	1750	1-1/8	3/8	7/8	3/8	1-1/8	3/8	0.099	H2TXV03

Note:

EPA rules prohibit system installations (condensing unit coupled with an air handler or evaporator coil).

Accessories

Catalog / Kit Number	Description	Used with
58M81	Blower Off Delay Kit	All 13ACD's
69J03	Compressor Sound Covers	All 13ACD's
45F08	Compressor Low Ambient Cut-Off	All 13ACD's
93G35	Freezestats (3/8" tubing)	All 13ACD's
50A93	Freezestats (5/8" tubing)	All 13ACD's
94J46	High Pressure Switch Kit (AC only)	All 13ACD's
84M23	Loss of Charge Kit (AC only)	All 13ACD's
47J27	Compressor Time Off Control (AC only)	All 13ACD's
93M04	Crank Case Heater - CCH	1-1/2, 2, 2-1/2 & 3 Ton
93M05	Crank Case Heater - CCH	3-1/2, 4 & 5 Ton
10J42	Hard Start Kit	1-1/2, 2, 2-1/2, 3, 3-1/2 & 4 Ton
81J69	Hard Start Kit	5 Ton only
24H77	Low Ambient (AC - R22)	All 13ACD's
A2TXV01	TXV Kit	1-1/2, 2, 2-1/2 & 3 Ton
A2TXV02	TXV Kit	3-1/2 & 4 Ton
H2TXV03	TXV Kit	5 Ton only

13
seer

ACD Split System Air Conditioner

All specifications and illustrations
subject to change without notice
and without incurring obligations.

DucaneTM
**AIR CONDITIONING
AND HEATING**

www.ducanehvac.com
1-800-448-5872



All specifications and illustrations
subject to change without notice
and without incurring obligations.