



Fantech
Your Ventilation Solutions Company

HEPA Series
Air Filtration System

**IMPORTANT - PLEASE READ THIS MANUAL
BEFORE INSTALLING UNIT**

CAUTION - Before installation, careful consideration must be given to how this system will operate if connected to any other piece of mechanical equipment, i.e. a forced air furnace or air handler, operating at a higher static pressure.



Your Fantech HEPA Filtration system should be installed in conformance with the appropriate local, provincial or state requirements or in the absence of such requirements with the current edition of the National Building Code, and / or ASHRAE's " Good Engineering Practices".

HEPA Filtration

CM 3000 • CM 3000 I

INSTALLATION, OPERATION AND MAINTENANCE MANUAL

TABLE OF CONTENTS

WARRANTY / GARANTIE

INSTALLATION

Types of installation

Installation of CM 3000..... 4

Installation of CM 3000 I.....

6

Installation with an HRV/ERV.....

8

MAINTENANCE..... 9

MAINTENANCE REPORT..... 10

The Best Limited Warranty in the Business

- The maintenance free motors are permanently lubricated and are guaranteed for 7 years. They are factory balanced to prevent vibrations and promote silent operation.
- All other components have a 5 year limited warranty. (filters not included)
- The limited warranty covers normal use. It does not apply to any defects, malfunctions or failures as a result of improper installation, abuse, mishandling or misapplication, fortuitous occurrence or any other circumstances outside manufacturer's control.
- The warranty is in effect for 5 years on parts and 7 years on the motor after the date of purchase, including parts replaced during this time period. If there is no proof of purchase available, the date associated with the serial number will be used for the beginning of the warranty period. Parts are a 1 year warranty when replaced after the initial warranty has expired.
- This warranty is the exclusive and only warranty in effect and all other warranties either expressed or implied are invalid.
- Warranty from the manufacturer is for parts only and does not include labor or shipping to service or repair them.

INTRODUCTION

HEPA AIR FILTRATION SYSTEMS

Congratulations! You have purchased a very effective air cleaning and treatment system incorporating HEPA (High Efficiency Particulate Arrestance) filter technology. This is the type of air cleaning equipment that respiratory specialists recommend most.

To optimize the performance of your HEPA Filtration System, it should be installed by a professional contractor who is familiar with your indoor air quality situation and the operation of other heating, ventilation and air conditioning equipment that you may have.

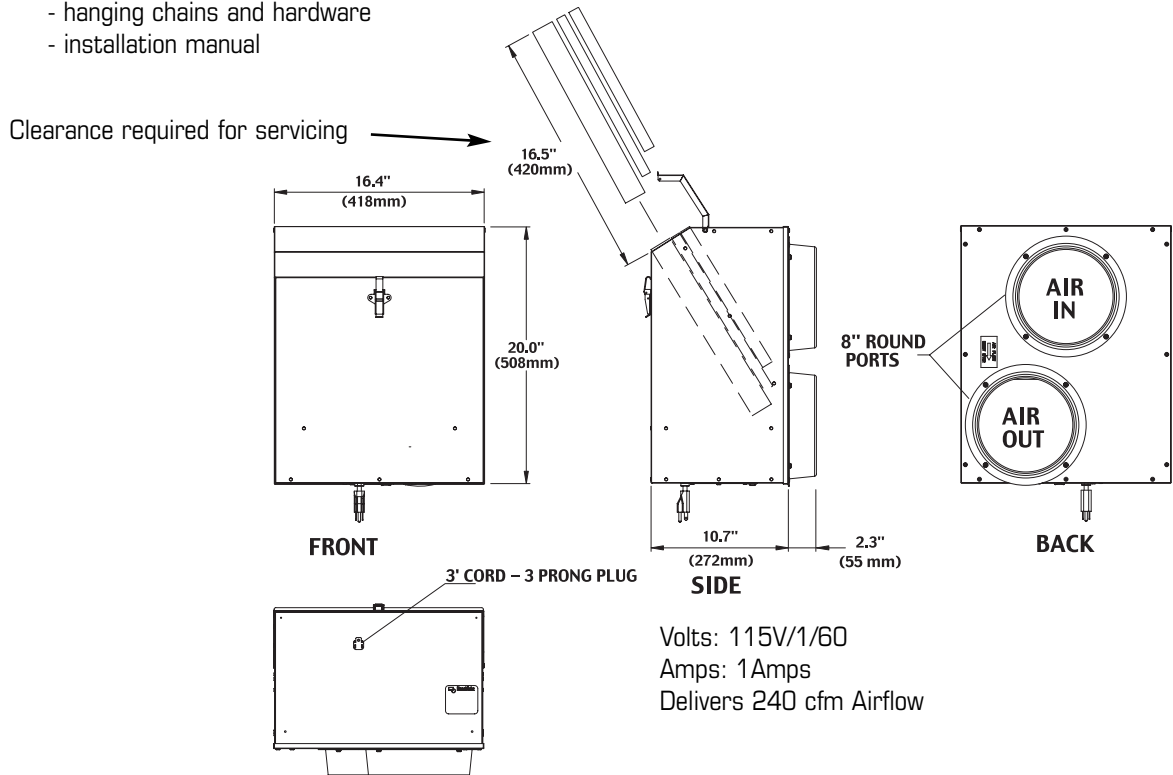
TWO UNITS TO CHOOSE FROM

The Fantech HEPA Filtration system is available in two different models, depending on your choice of installation. Typically the CM 3000 is used in geographical locations where the HEPA unit can be installed in a conditioned space such as a basement, closet or heated crawl space, (Example on page 4 & 5). The CM 3000 I (Insulated version) is normally installed in the southern U.S. states where it's common to locate the HVAC equipment in an unconditioned space such as a garage or attic (Example on pages 6 & 7).

SPECIFICATION

Model CM 3000 (Uninsulated) * Insulated skin can be purchase separately and installed in the field if required.

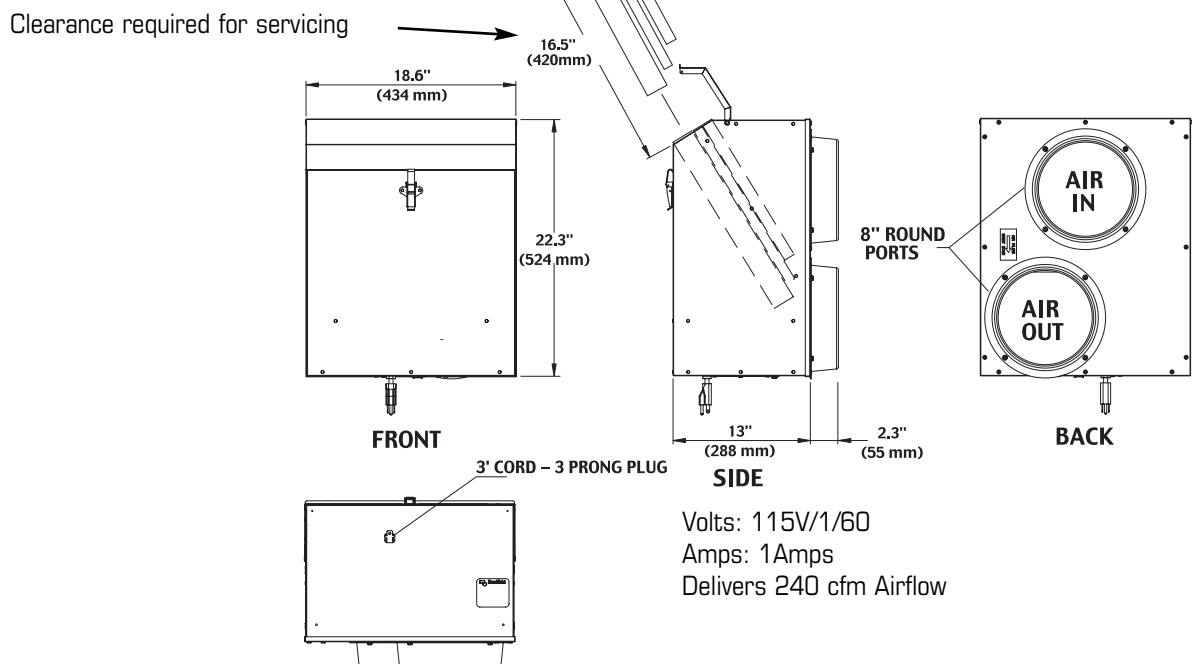
- Kit (Included):
- two pcs. of uninsulated 8" flex (UL Listed)
 - four 8" round port collars
 - hanging chains and hardware
 - installation manual



SPECIFICATION

Model CM 3000 I (Insulated)

- Unit includes:
- two 8" round port collars (attached)
 - hanging chains and hardware
 - installation manual



OPERATION

Your Fantech HEPA filtration system incorporates three stages of filtration. Air is drawn from the house via one of the installation examples, found in this manual, by a powerful efficient EBM fan. The air is cleaned as it passes through the filters, where it is then reintroduced back into the home, cleaned of the majority of harmful particles.

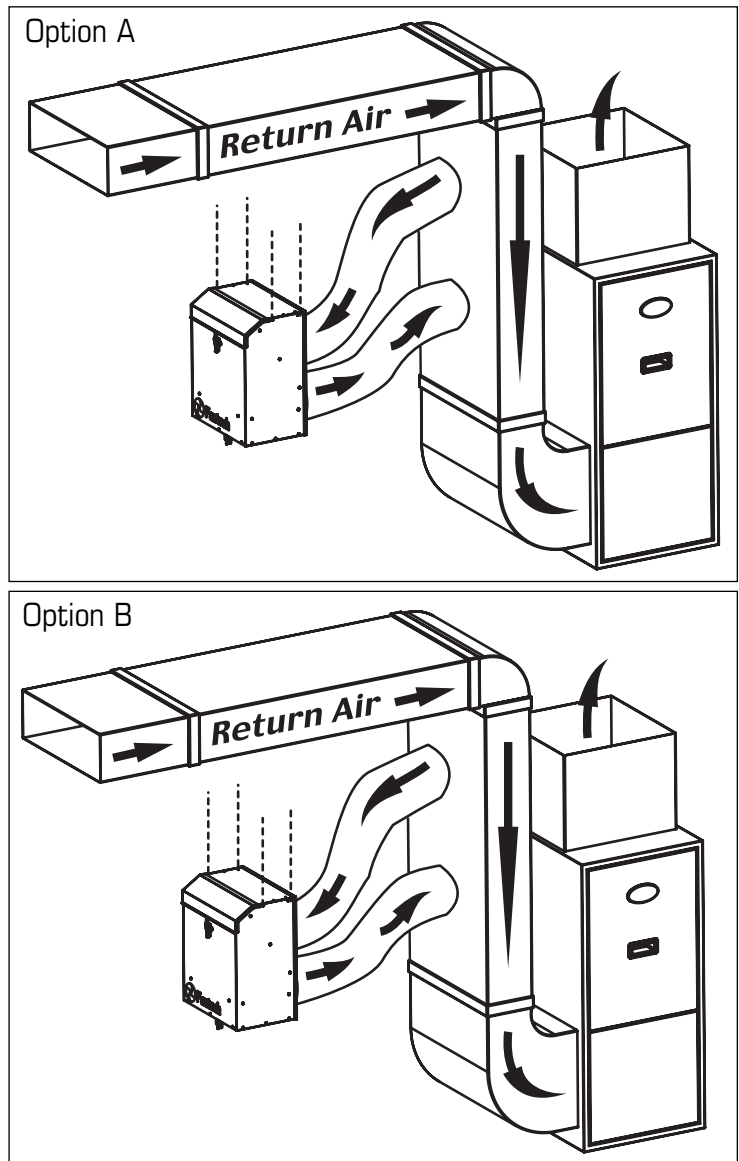
Note: A semi-annual service schedule must be followed to ensure the HEPA unit is operating at its full potential.

INSTALLATION

CM 3000 - Uninsulated model

The return side of the furnace is the recommended location for the HEPA to connect to. The supply side is normally avoided due to the higher static pressure.

* Furnace fan should operate continuous or when HEPA unit is on and running. (Options A & B)



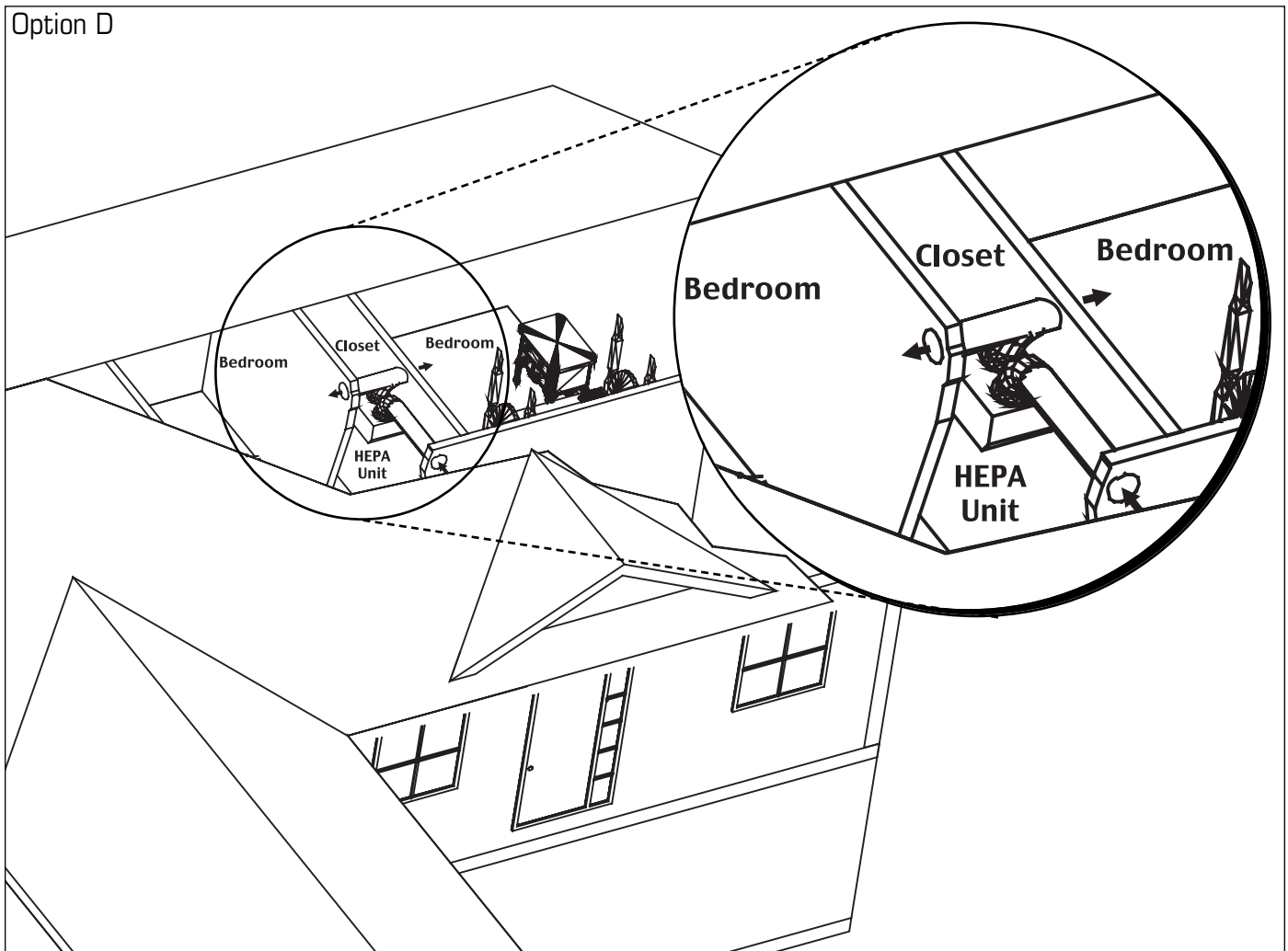
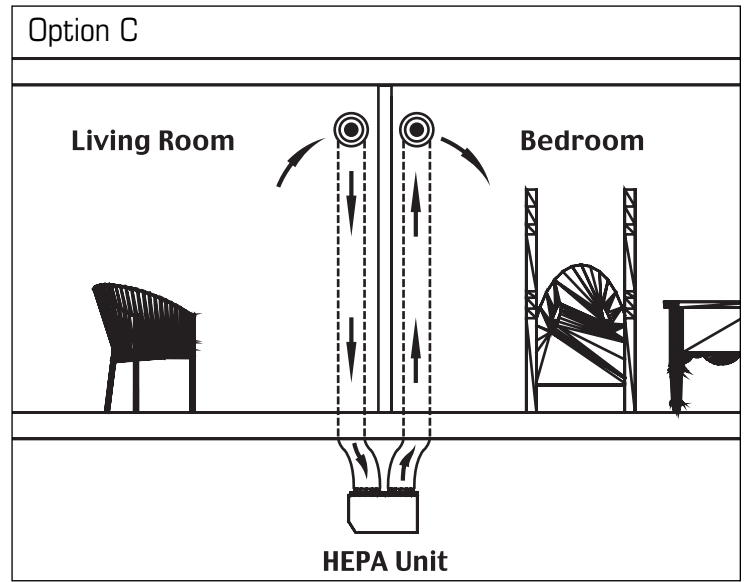
* Diagrams are examples only. Actual installation may vary.

CM 3000 - Uninsulated model (continued)

Option C - Duct work can be concealed in walls or closets. If the floor is the only choice, special care should be taken to avoid noise or drafts.

Option D - Unit can be installed in a closet. Air drawn from a hallway or living area is cleaned by the HEPA unit and reintroduced back into a bedroom or other room.

* Diagrams are examples only.
Actual installation may vary.

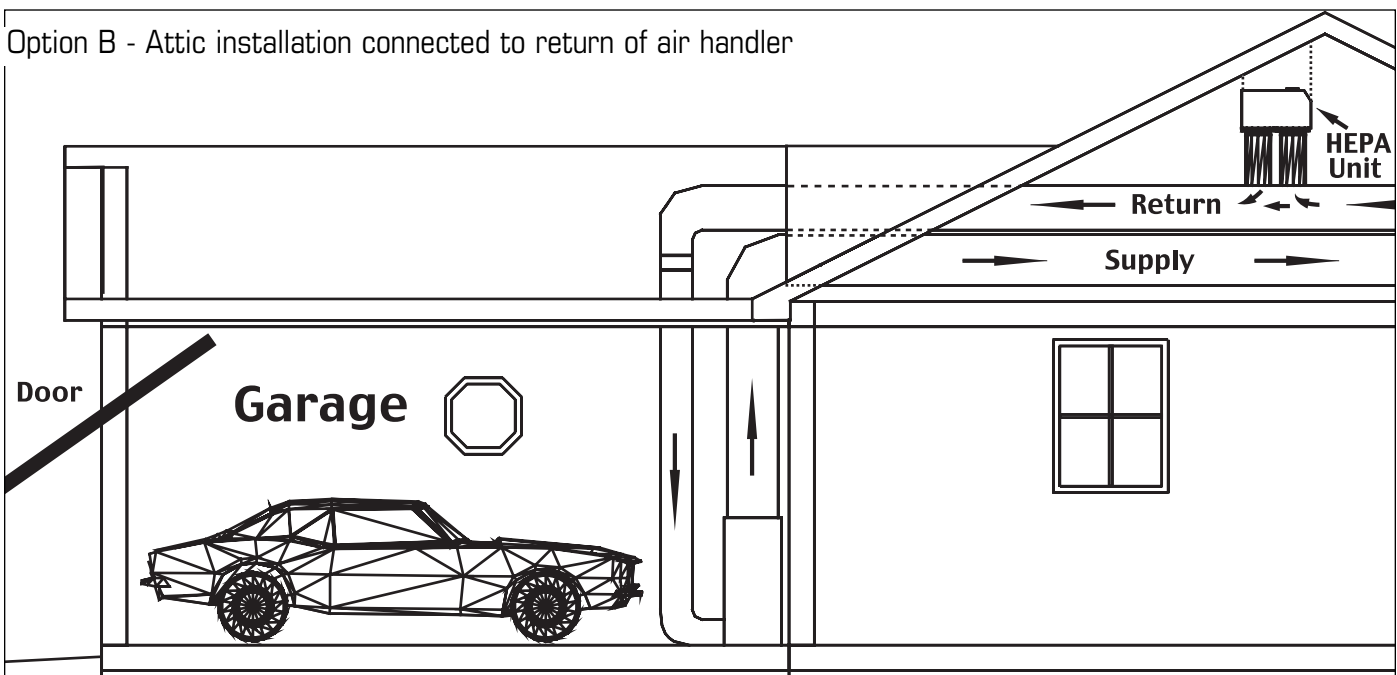
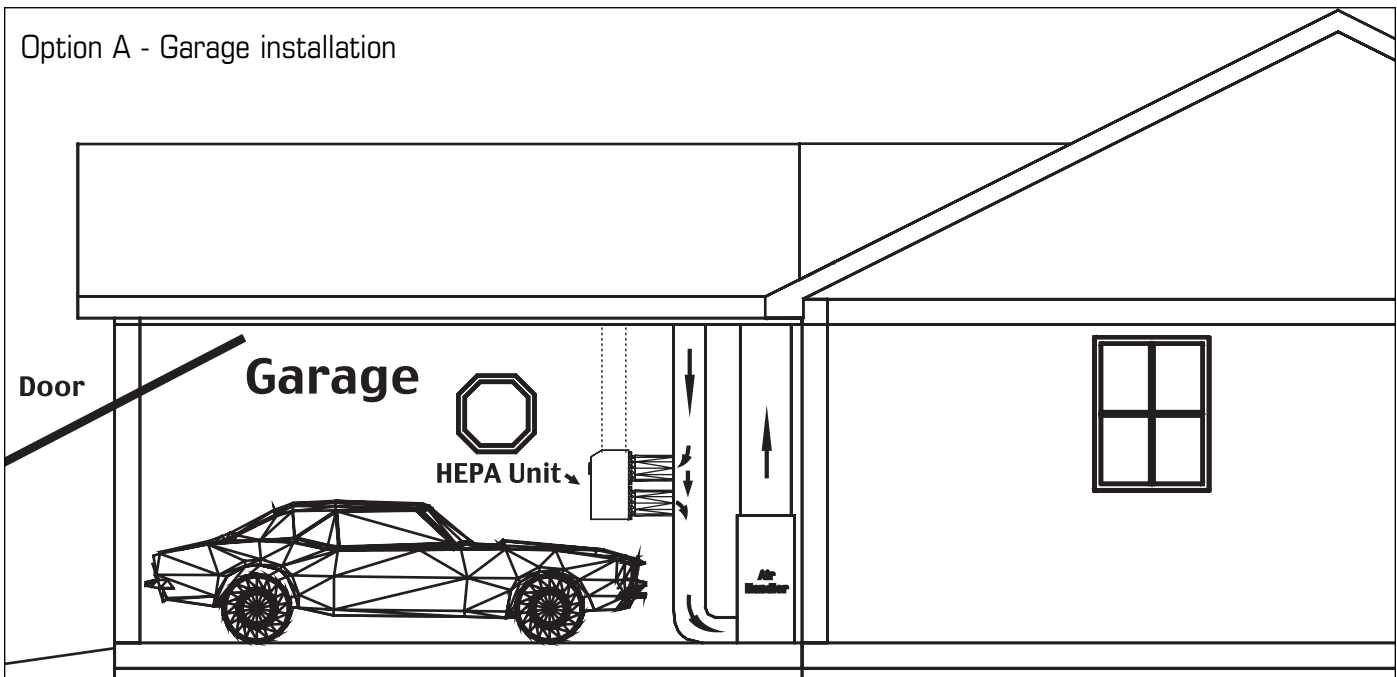


INSTALLATION

CM 3000 I - Insulated model

In options A & B, the air handler should operate continuously or when HEPA unit is on and operating.

Warning - Special care and attention must be given to ensure that all openings in unit, and its duct connections, are sealed, to prevent vehicle exhaust from entering the unit. Always follow local and state building codes as well as good engineering practices.



* Diagrams are examples only. Actual installation may vary.

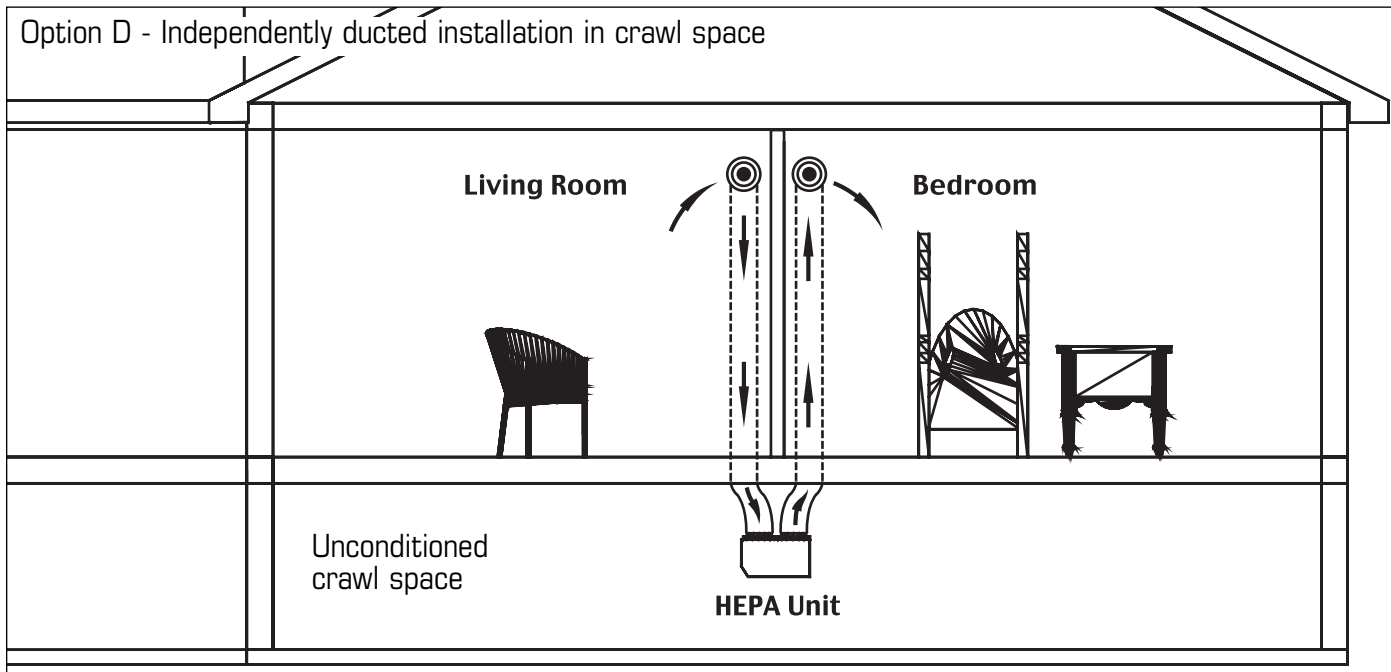
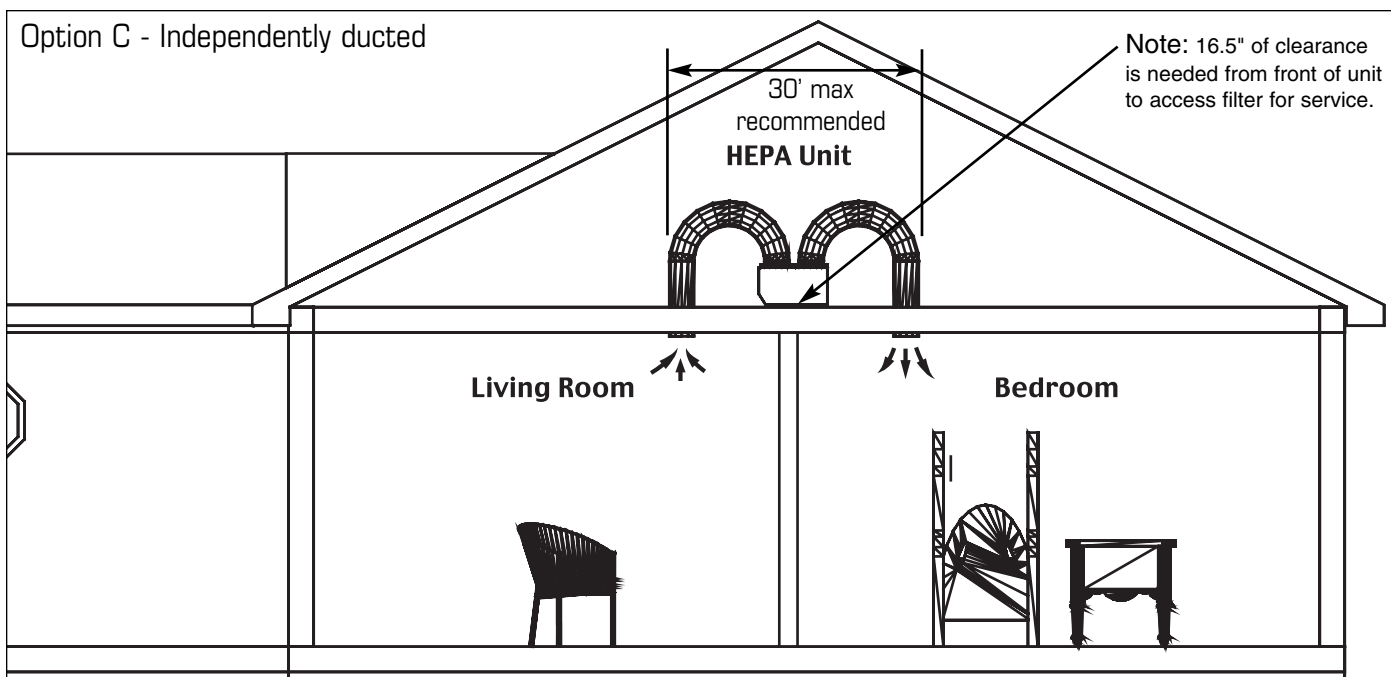
CM 3000 I - Insulated model (continued)

When unit is installed in an unconditioned space such as option C or option D, ductwork (not included) must be insulated and installed according to local and state codes.

Unit should always be installed in a location that will allow the best possible access for service.

Flexible ducting can be restrictive to airflow and should be kept to a minimum. Avoid excessive turns, cramped ductwork and pinching.

* Proper airflow should be confirmed after installation

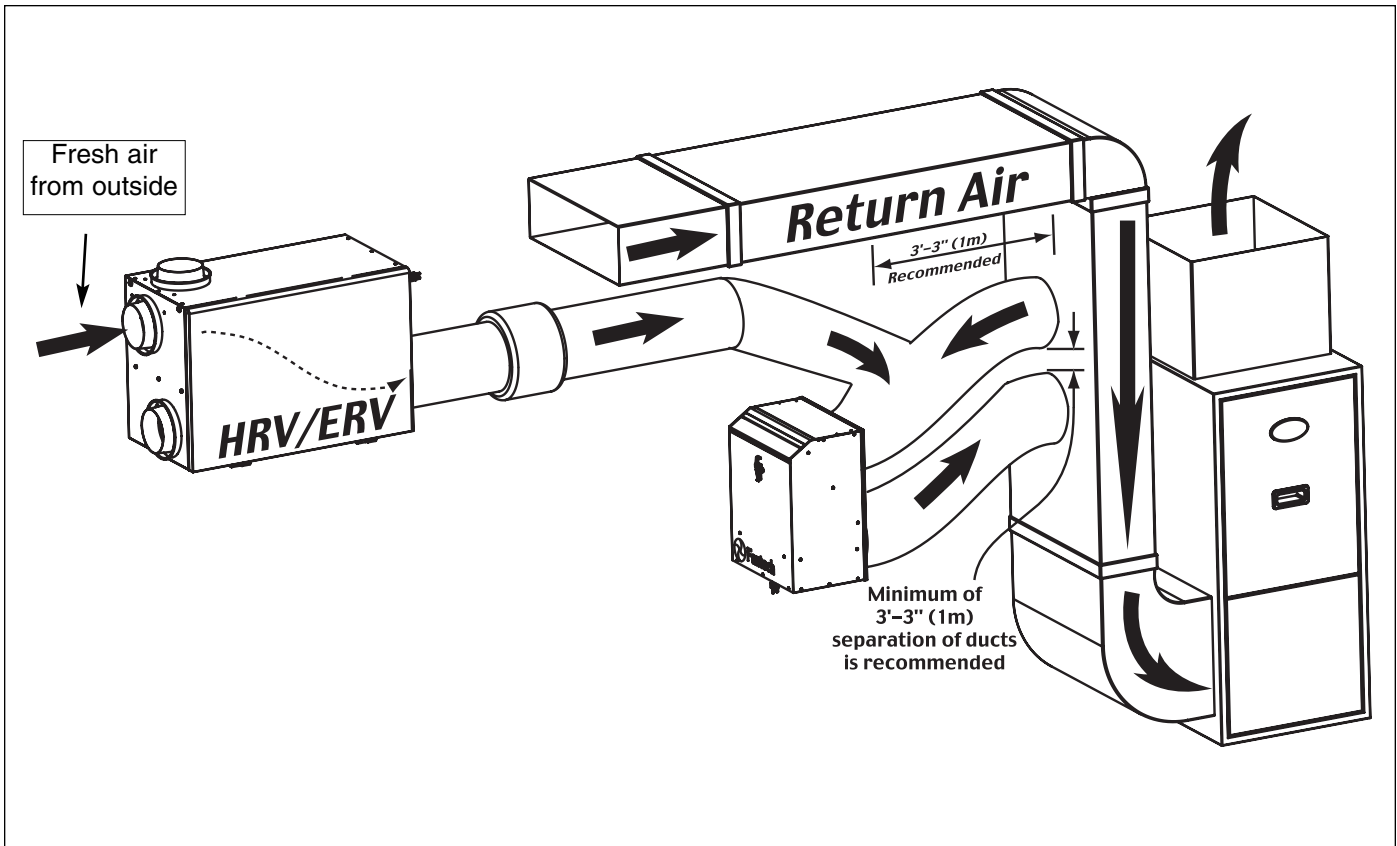


* Diagrams are examples only. Actual installation may vary.

INSTALLATION

Whole House - Connecting a ventilation system (HRV/ERV) to a HEPA system.

Installation may vary drastically from picture depending on location of all appliances. After installation, proper operation of all the appliances must be confirmed by a qualified contractor.



Ventilation system (HRV/ERV) should be installed and balanced in accordance with its installation manual.

Furnace fan must be on when either the ventilation system (HRV/ERV) or the HEPA filtration system is operating.

A power damper is recommended to prevent backdrafting of some models of air to air changers, when in the off or standby position. This damper will be installed between the HRV/ERV and the HEPA unit.

NOTE: Models SHR/SER 1505R, 2005R & 3005R have an automatic backdraft damper build in that activates when units are in standby position and do not need this additional damper.

All units should be checked after installation for compatibility and proper operation.

Controls Options

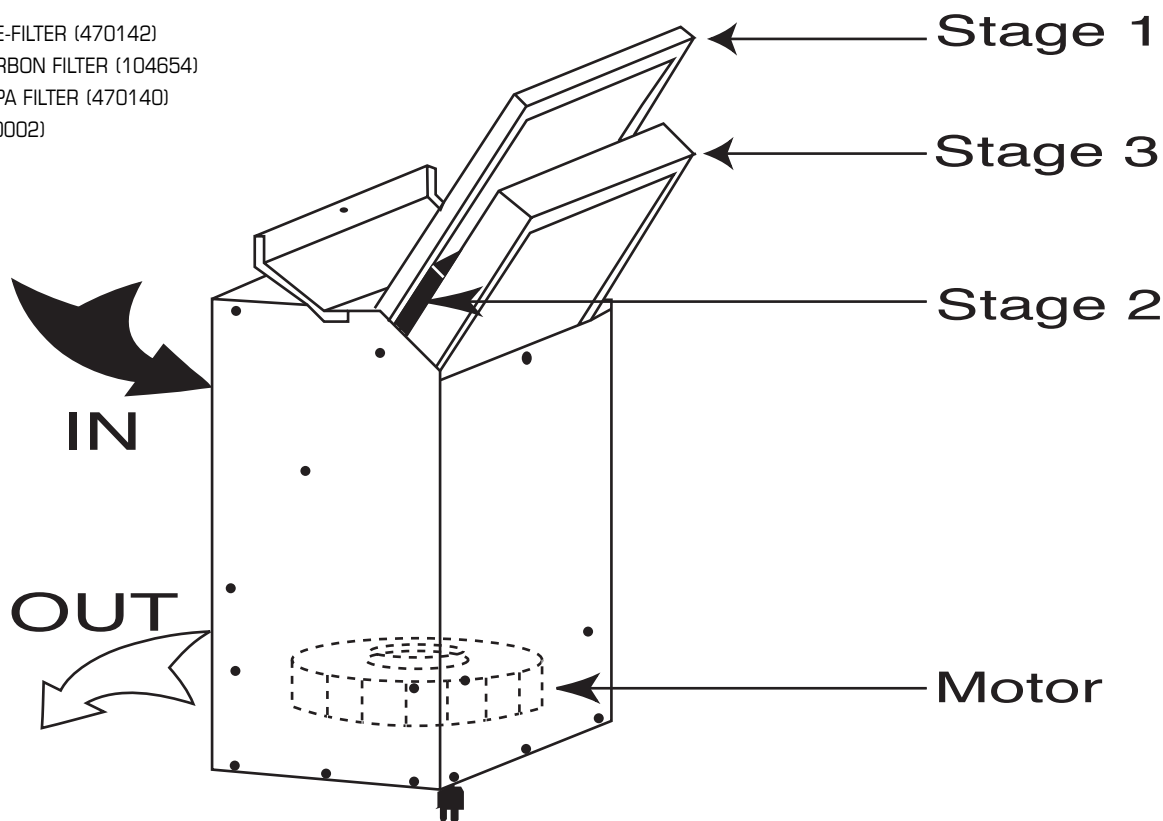
A "Accessory Control Contacts" device, which switches the HEPA to its on position anytime the furnace blower is operating, is available through Fantech distributors.

* Diagrams are examples only. Actual installation may vary.

The useful service life of the filter media in the HEPA Filtration System is directly related to the volume of air passed through the system and the amount of contaminants in the air. In a typical residential application, Stage 1 and 2, filters should be replaced every three to six months or when needed. The Stage 3 HEPA filter should have a life span of two to five years, again, depending on the amount of particulate in the air and the maintenance of the Stage 1 pre-filter.

PARTS LIST

- STAGE 1 - PRE-FILTER (470142)
- STAGE 2 - CARBON FILTER (104654)
- STAGE 3 - HEPA FILTER (470140)
- MOTOR - (500002)



Stage 1 - Prefilter: Air passes through the prefilter where larger particles are taken out of the air.

Stage 2 - Carbon: Air passes through the carbon filter where some gases and odors are removed.

Stage 3 - HEPA: Air passes through the certified HEPA media where very small particles are removed. 99.97% of all particles 0.3 microns and larger that pass through this stage are removed. Particles smaller than 0.3 microns are also removed with less intensity.

If the air flow through your unit is noticeably reduced, you can inspect the HEPA filter by removing it and seeing if the filter paper is darkened on the inlet or outer side. If it is, the filter cartridge should be replaced.

Please contact your local Fantech dealer or call HEPA Customer Service at 1.800.747.1762 regarding replacement of filter media, warranty information or if you have any questions or concerns about the performance of your HEPA Filtration System.



United States

1712 Northgate Blvd.,
Sarasota, FL. 34234
Phone: 800.747.1762; 941.309.6000
Fax: 800.487.9915; 941.309.6099
www.fantech.net; info@fantech.net

Canada

50 Kanalfakt Way,
Bouctouche, NB E4S 3M5
Phone: 800.565.3548; 506.743.9500
Fax: 877.747.8116; 506.743.9600
www.fantech.ca; info@fantech.ca

Fantech, reserves the right to modify, at any time and without notice, any or all of its products' features, designs, components and specifications to maintain their technological leadership position.

Article #: 301020
Item #: 401482
Rev Date: 111504