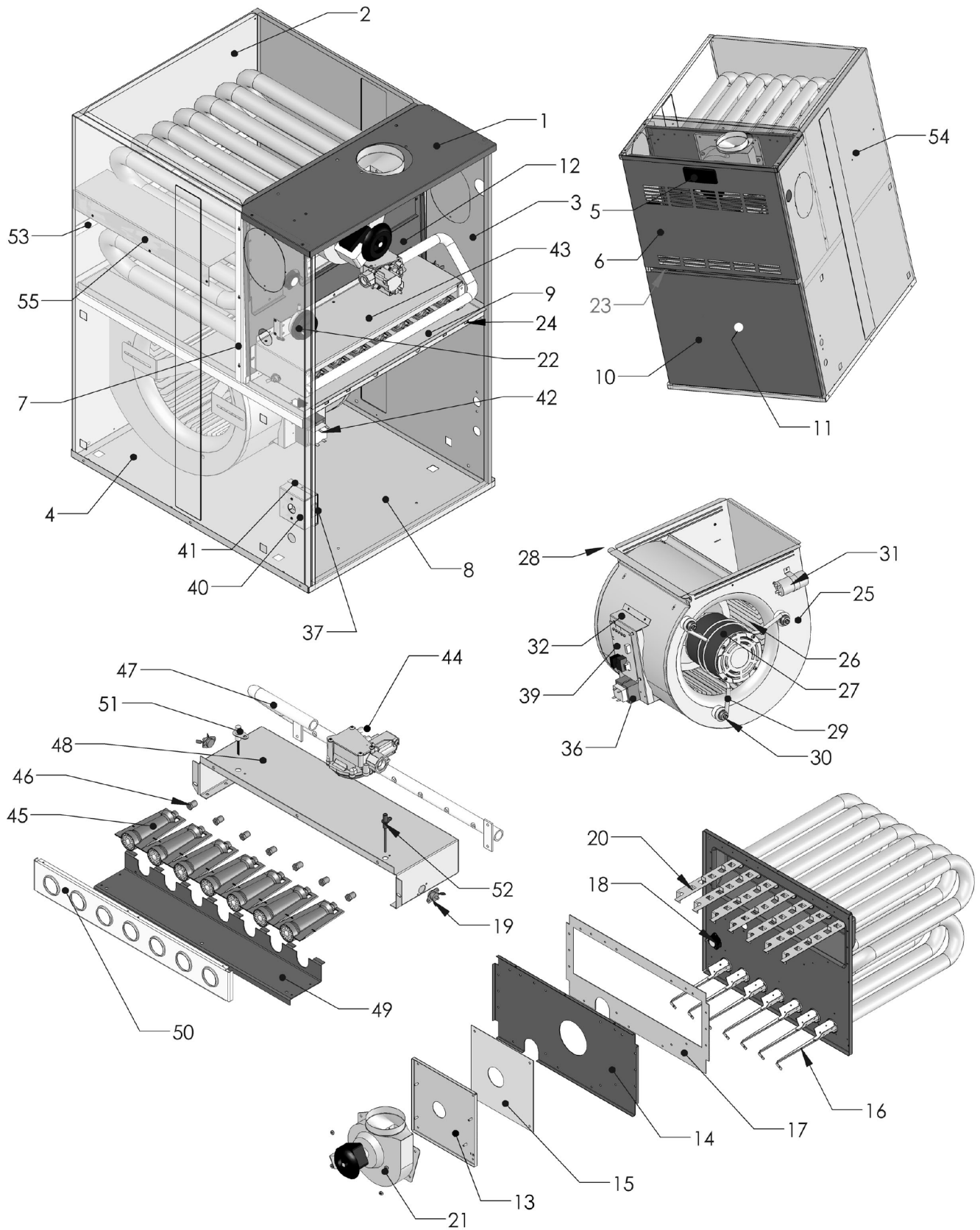


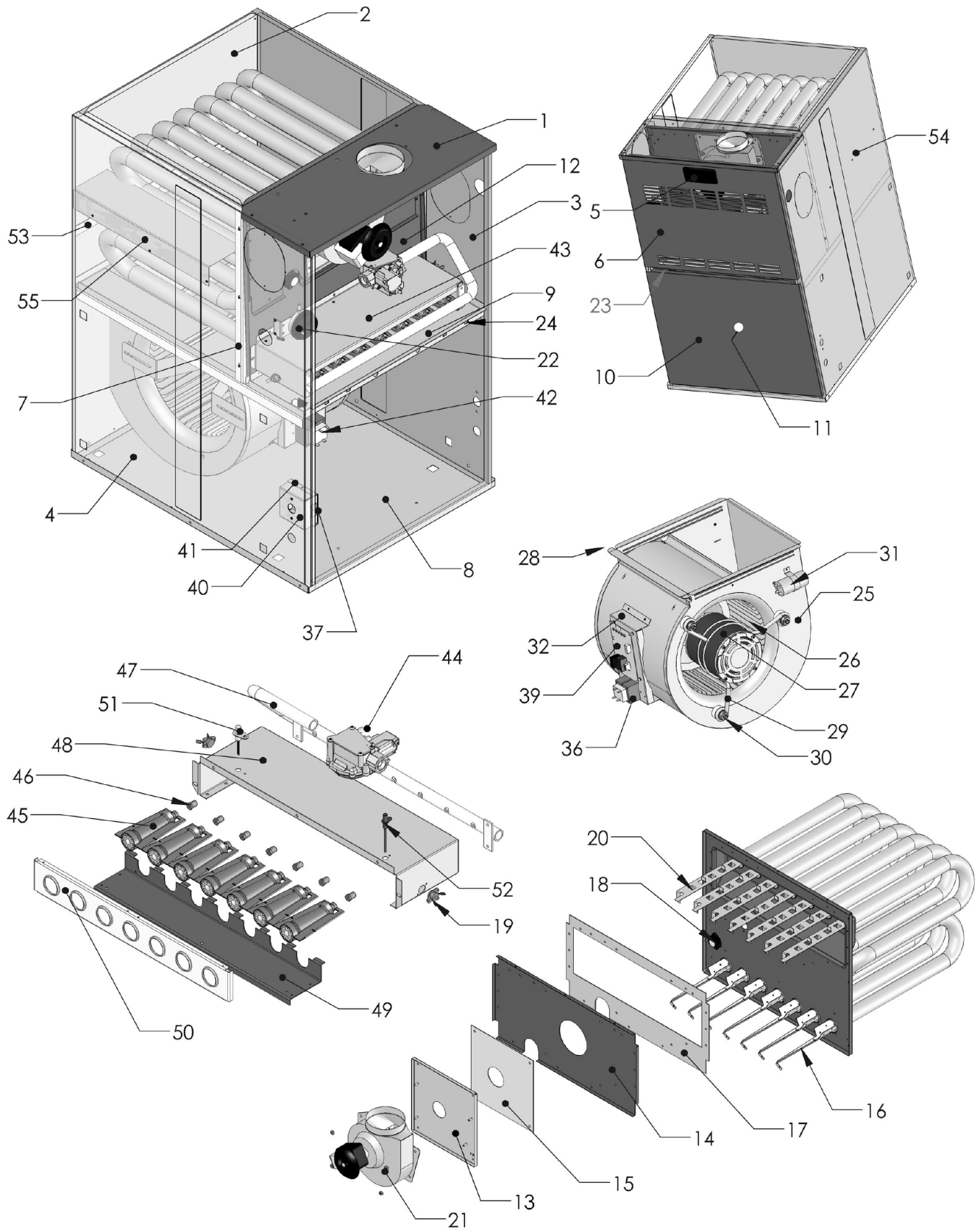
MODEL F80A FURNACE PARTS LIST



MODEL F80A FURNACE PARTS LIST

	Part	MODEL				
		35-2	50-3	70-3	70-4	85-3
1	Top panel	29927	29927	30639	29984	29984
2	Rear panel assembly	30521	29937	29950	29985	29985
3	Right panel assembly	30099	30099	30099	30099	30523
4	Left panel assembly	30100	30100	30100	30100	30100
5	Bezel / Logo	950011/660429	950011/660429	950011/660429	950011/660429	950011/660429
6	Top door	29928	29928	29947	29983	29983
7	Interfront angle	29920 (2)	29920 (2)	29920 (2)	29920 (2)	29920 (2)
8	Base panel	29923	29923	29946	29974	29974
9	Blower division assembly	29958	29936	29954	30231	29987
10	Blower door	29924	29924	29952	29986	29986
11	Sight Glass	28694	28694	28694	28694	28694
12	Heat exchanger assembly	30038	30041	30043	30184	30185
13	Exhauster plate	30510	30479	30503	30503	30489
14	Flue box cover	29989	29933	29956	29956	29998
15	Exhauster plate gasket	30478	30478	30477	30477	30477
16	NOX baffles	30410 (2)	30410 (3)	30410 (4)	30410 (4)	30410 (5)
17	Flue box cover gasket	30058	30058	30197	30197	30198
18	High limit switch	30191	30191	29662	29662	30191
19	Flame roll out switch	30593 (2)	30593 (2)	30593 (2)	30593 (2)	30593 (2)
20	Flue baffle	30408 (2)	30408 (3)	30408 (4)	30408 (4)	30408 (5)
21	Inducer replacement	30488	30488	30488	30488	30488
22	Pressure switch	30208	29490	29490	29490	30486
23	Door screws	370105050001(4)	370105050001(4)	370105050001(4)	370105050001(4)	370105050001(4)
24	Cage nuts	28873 (4)	28873 (4)	28873 (4)	28873 (4)	28873 (4)
25	Blower housing	30610	30611	30612	30613	30612
26	Blower wheel	194060000007	194060000008	194060000003	194060000009	194060000003
27	Motor	194390000003	194390000002	194390000002	194390000002	194390000002
28	Blower support front	30577	30578	30579	30580	30579
29	Motor mount assembly	194000670001	194000670001	194000670001	194000670001	194000670001
30	Motor grommet assembly	194000650001(3)	194000650001(3)	194000650001(3)	194000650001(3)	194000650001(3)
31	Capacitor	27741	27743	27743	27743	27743
32	Control panel	30469	30469	30469	30469	30469
33	Wire harness(B. Div-Safties)	30760	30760	30760	30760	30760
34	Wire harness (Contr.- B. Div)	30761	30761	30761	30761	30761
35	Wire harness(J.B.-Contr.)	30762	30762	30762	30762	30762
36	Transformer	27738	27738	27738	27738	27738
37	Door switch	30468	30468	30468	30468	30468
38	Pressure switch tubing	11344	11344	11344	11344	11344
39	Integrated Furnace Control	30757	30757	30757	30757	30757
40	Junction box	30463	30463	30463	30463	30463
41	Junction box cover	28722	28722	28722	28722	28722
42	Blower assembly	30036	30039	30042	30205	30042
43	Combustion box assembly	30035	30052	30415	30415	30206
44	Gas valve	30287	30287	30287	30287	30287
45	Inshot burners	28697 (2)	28697 (3)	28697 (4)	28697 (4)	28697 (5)
46	Natural gas orifices	28758 (2)	28758 (3)	28758 (4)	28758 (4)	28758 (5)
47	Manifold pipe	29940	29941	30416	30416	29997
48	Combustion box	29970	29929	30413	30413	29993
49	Burner support	29971	29921	30509	30509	29995
50	Tube inlet orifice	29972	29922	30409	30409	29996
51	Hot surface igniter	30487	30487	30487	30487	30487
52	Flame sensor	28687	28687	28687	28687	28687
53	Rear baffle	30103	29991	30098	30215	30115
54	Right baffle	30520	29990	29951	30567	30114
55	Left baffle	30519	29935	30098	30567	30777
56	Envelope assembly	30244	30244	30244	30244	30244
57	LP conversion kit	N/A	30482	30482	30482	30482
58	NG conversion kit	30551	30551	30551	30551	30551
59	Combustible sub base kit	30476	30476	30476	30476	30476
60	High altitude kit (U.S.A.)	30553	30553	30553	30553	30553
61	High altitude kit (Canada)	30552	30552	30552	30552	30552
62	Wire jumper (piggy back)	—	—	—	—	30538

MODEL F80A FURNACE PARTS LIST



MODEL F80A FURNACE PARTS LIST

		MODEL				
Part	85-4	100-3	100-4	100-5	115-5	
1	Top panel	30126	30126	30126	30126	30108
2	Rear panel assembly	30000	30000	30000	30000	30104
3	Right panel assembly	30099	30759	30759	30759	30099
4	Left panel assembly	30100	30100	30100	30100	30820
5	Bezel / Logo	950011/660429	950011/660429	950011/660429	950011/660429	950011/660429
6	Top door	30127	30127	30127	30127	30109
7	Interfront angle	29920 (2)	29920 (2)	29920 (2)	29920 (2)	29920 (2)
8	Base panel	29976	29976	29976	29976	29978
9	Blower division assembly	30131	30131	30131	30131	30107
10	Blower door	30125	30125	30125	30125	30120
11	Sight Glass	28694	28694	28694	28694	28694
12	Heat exchanger assembly	30186	30187	30187	30187	30188
13	Exhauster plate	30489	30490	30490	30490	30500
14	Flue box cover	29998	30119	30119	30119	30118
15	Exhauster plate gasket	30477	30477	30477	30477	30477
16	NOX baffles	30410 (5)	30410 (6)	30410 (6)	30410 (6)	30410 (7)
17	Flue box cover gasket	30198	30199	30199	30199	30524
18	High limit switch	29662	28654	28654	30191	30191
19	Flame roll out switch	30593 (2)	30593 (2)	30593 (2)	30593 (2)	30593 (2)
20	Flue baffle	30408 (5)	30408 (6)	30408 (6)	30408 (6)	30408 (7)
21	Inducer replacement	30488	30488	30488	30488	30488
22	Pressure switch	30486	30486	30486	30486	30093
23	Door screws	370105050001(4)	370105050001(4)	370105050001(4)	370105050001(4)	370105050001(4)
24	Cage nuts	28873 (4)	28873 (4)	28873 (4)	28873 (4)	28873 (4)
25	Blower housing	30614	30614	30614	30614	30615
26	Blower wheel	194060000004	194060000004	194060000004	194060000004	194060000006
27	Motor	194390000001	194390000004	194390000002	194390000001	194390000001
28	Blower support front	30581	30581	30581	30581	30581
29	Motor mount assembly	194000670001	194000670001	194000670001	194000670001	885100510001
30	Motor grommet assembly	194000650001(3)	194000650001(3)	194000650001(3)	194000650001(3)	194000650001(3)
31	Capacitor	27745	27743	27743	27745	27745
32	Control panel	30469	30469	30469	30469	30469
33	Wire harness(B. Div-Safties)	30760	30760	30760	30760	30760
34	Wire harness (Contr.- B. Div)	30761	30761	30761	30761	30761
35	Wire harness(J.B.-Contr.)	30762	30762	30762	30762	30762
36	Transformer	27738	27738	27738	27738	27738
37	Door switch	30468	30468	30468	30468	30468
38	Pressure switch tubing	11344	11344	11344	11344	11344
39	Integrated Furnace Control	30757	30757	30757	30757	30757
40	Junction box	30463	30463	30463	30463	30463
41	Junction box cover	28722	28722	28722	28722	28722
42	Blower assembly	30238	30211	30211	30238	30235
43	Combustion box assembly	30206	29504	29504	29504	30213
44	Gas valve	30287	30287	30287	30287	30287
45	Inshot burners	28697 (5)	28697 (6)	28697 (6)	28697 (6)	28697 (7)
46	Natural gas orifices	28758 (5)	28758 (6)	28758 (6)	28758 (6)	28758 (7)
47	Manifold pipe	29997	30111	30111	30111	30112
48	Combustion box	29993	30492	30492	30492	30122
49	Burner support	29995	30511	30511	30511	30123
50	Tube inlet orifice	29996	30491	30491	30491	30124
51	Hot surface igniter	30487	30487	30487	30487	30487
52	Flame sensor	28687	28687	28687	28687	28687
53	Rear baffle	30221	30221	30221	30221	30121
54	Right baffle	30220	30223	30223	30223	30526
55	Left baffle	30499	30222	30222	30222	30525
56	Envelope assembly	30244	30244	30244	30244	30244
57	LP conversion kit	30482	30482	30482	30482	30482
58	NG conversion kit	30551	30551	30551	30551	30551
59	Downflow kit	30476	30476	30476	30476	30476
60	High altitude kit (U.S.A.)	30553	30553	30553	30553	30553
61	High altitude kit (Canada)	30552	30552	30552	30552	30552
62	Wire jumper (piggy back)	—	—	—	—	—