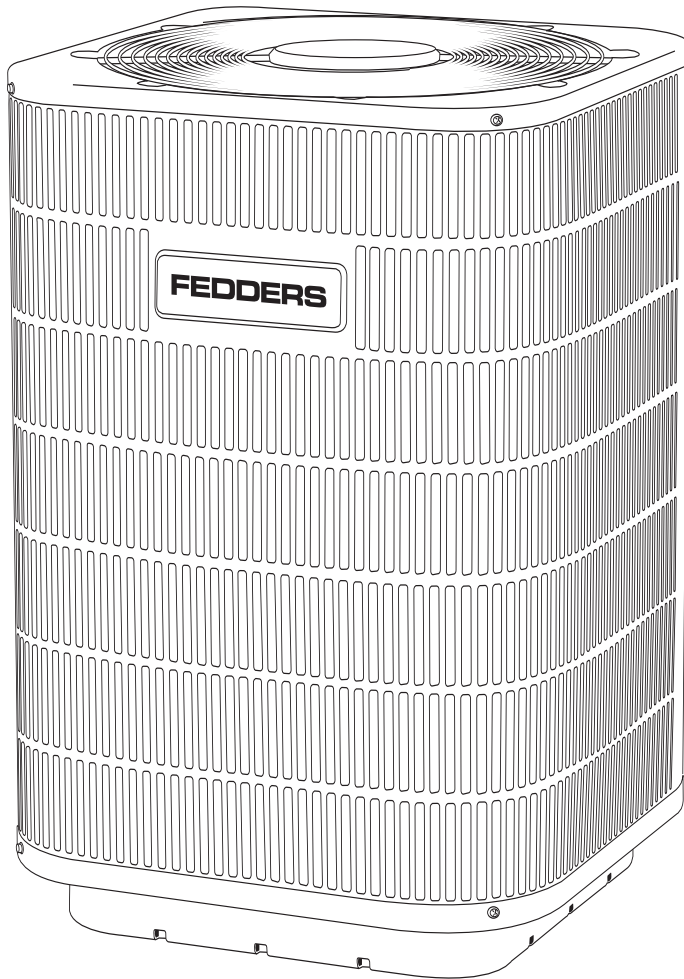


# Split System Air Conditioner

R-410A, 1½ thru 5 Tons  
208/230 Volt, 1-Phase, 60 Hz

**Performance:**

Efficiency rating of 13 SEER

Cooling capacities from 1½ to 5 tons

**Refrigerant Circuit:**

Factory installed liquid line filter drier

Long life copper tubes, aluminum fins

State-of-the-art scroll compressors

Large, wrap-around coil surface

**Quality Built:**

Galvanized steel exterior cabinet with

1,000-hour salt spray, powder-coated finish

Powder-coated fan guard

Full louvered panel to protect coil

Formed base with 2½" ground clearance

Limited 5-year warranty on parts

5-year compressor limited warranty, with an additional 5-years available with a timely registration. Some restrictions apply. See the warranty certificate for details.

**Easy To Install:**

Factory-charged with Earth friendly R410A refrigerant

Only three screws to access electrical controls

Easy access to service valves



Model Number	Size (tons)	Min. Circuit Ampacity	Max. Fuse or Breaker	Operating Dimensions H x W x D (inches)	Suggested Mounting Pad Size (inches)	Ship / Operating Weight (lbs)
C18ABZ1VF	1 ½	13.5	20	26 ½ X 21 ½ X 21 ½	24 x 24	130 / 123
C24ABZ1VF	2	19.8	30	26 ½ X 21 ½ X 21 ½	24 x 24	130 / 123
C30ABZ1VF	2 ½	21.5	35	32 ½ X 21 ½ X 21 ½	24 x 24	146 / 139
C36ACZ1VF	3	25.1	40	26 ½ X 29 ½ X 29 ½	32 x 32	174 / 167
C42ACZ1VF	3 ½	26.8	45	32 ½ X 29 ½ X 29 ½	32 x 32	204 / 197
C48ACZ1VF	4	32.3	55	32 ½ X 29 ½ X 29 ½	32 x 32	225 / 218
C60ACZ1VF	5	38.7	60	39 X 29 ½ X 29 ½	32 x 32	258 / 251

# Product Specifications

PHYSICAL DATA							
<b>MODEL SIZE</b>	18	24	30	36	42	48	60
<b>PERFORMANCE DATA</b>							
CAPACITY (BTUH)	18,000	24,000	30,000	36,000	42,000	48,000	56,000
<b>FAN DATA</b>							
FAN MOTOR TYPE	PSC	PSC	PSC	PSC	PSC	PSC	PSC
HP	1/6	1/6	1/3	1/3	1/3	1/3	1/3
DIAMETER	18"	18"	18"	22"	22"	23 5/8"	23 5/8"
BLADE	3	3	3	3	3	3	3
RPM	1,050	1,050	1,050	1,050	1,050	950	950
CFM	1,800	1,800	3,400	3,400	3,400	4,000	4,000
<b>OUTDOOR COIL</b>							
TYPE	Enhanced Aluminum Plate Fin / Rifled Copper Tube						
COIL FACE AREA (ft <sup>2</sup> )	9.5	9.5	12.2	18.2	18.2	18.2	22.2
O.D.	7mm	7mm	7mm	7mm	7mm	7mm	7mm
FPI - ROWS <sup>1</sup>	18-2	20-1&18-1	18-2	18-2	20-1&18-1	20-1&18-1	18-3
<b>ELECTRICAL DATA (208/230 – 1-60, VOLTAGE RANGE 197V - 253V)</b>							
MINIMUM CIRCUIT AMPACITY - MCA (amps) <sup>2</sup>	13.5	19.8	21.5	25.1	26.8	32.3	38.7
MAXIMUM OVERCURRENT PROTECTIVE DEVICE - MOC <sub>P</sub> (amps) <sup>3</sup>	20	30	35	40	45	55	60
COMPRESSOR RLA (Rated Load Amps)	10	15	15.7	18.6	20	24.3	29.4
COMPRESSOR LRA (Locked Rotor Amps)	48	58.3	73	79	112	117	134
FAN MOTOR FLA (Full Load Amps)	1.0	1.0	1.8	1.8	1.8	1.9	1.9
<b>REFRIGERANT CONNECTIONS</b>							
LIQUID LINE CONNECTION SIZE (In. OD)	3/8	3/8	3/8	3/8	3/8	3/8	1/2
SUCTION LINE CONNECTION SIZE (In. OD)	3/4	3/4	3/4	7/8	7/8	7/8	1 1/8
RECOMMENDED LINE SET LIQUID TUBE DIAMETER (In. OD)	3/8	3/8	3/8	3/8	3/8	3/8	1/2
RECOMMENDED LINE SET SUCTION DIAMETER (In. OD)	3/4	3/4	3/4	7/8	7/8	7/8	1 1/8
FACTORY CHARGE R-410A - OZ.	95	109	113	134	162	159	226

**NOTE:** Control circuit is 24V on all units and requires external power source. Copper wire must be used from service disconnect to unit. ALL motors/compressors contain internal overload protection.

- "20-1&18-1" means two rows, the one is 20 FPI, the other one is 18 FPI.
- Wire size should be determined in accordance with National Electrical Codes. Extensive wire runs will require larger wire sizes.
- Time delay fuses may be used in place of HACR circuit breaker.

# Product Specifications

ARI CERTIFIED COMBINATION PERFORMANCE RATINGS							
Unit Size	Outdoor Unit	Indoor Unit	Factory Supplied Enhancement	Cooling Capacity (BTUH)		SEER <sup>1</sup>	EER
				Total	Sensible		
18	C18ABZ1VF	ACZ1A024	TXV	18,000	13,100	13	11
		AZFPB24A1	TXV / TDR	18,000	13,100	13	11
24	C24ABZ1VF	ACZ1A024	TXV	24,000	17,750	13	11
		AZFPB24A1	TXV / TDR	24,000	17,750	13	11
30	C30ABZ1VF	ACZ1A036	TXV	28,000	20,600	13	11
		AZFPB36A1	TXV / TDR	28,000	20,600	13	11
36	C36ACZ1VF	ACZ1A036	TXV	36,000	26,750	13	11
		AZFPB36A1	TXV / TDR	36,000	26,750	13	11
42	C42ACZ1VF	ACZ1A048	TXV	42,000	31,250	13	11
		AZFPC48A1	TXV / TDR	42,000	31,250	13	11
48	C48ACZ1VF	ACZ1A048	TXV	48,000	34,250	13	11
		AZFPC48A1	TXV / TDR	48,000	34,250	13	11
60	C60ACZVF	ACZ1A060	TXV	56,000	41,750	13	11
		AZFPC60B1	TXV / TDR	56,000	41,750	13	11

1. TDR required to obtain SEER rating

**Notes:**

- a. Fedders coils include factory installed TXV. Fedders gas furnaces and air handlers contain the TDR as standard equipment.
- b. TDR kit available as accessory. Part Number TDR001A.
- c. Tested outdoor and indoor combinations have been tested in accordance with DOE test procedures for central air conditioners.
- d. Above ratings based on 80°F (27°C) DB and 67°F (19°C) WB indoor entering air temperature and 95°F (35°C) DB air entering outdoor unit.

- EER - Energy Efficiency Ratio
- SEER - Seasonal Energy Efficiency Ratio
- TDR - Time-Delay Relay
- TXV - Thermostatic Expansion Valve

# Product Specifications

LINE SET LENGTH AND SIZE								
BTUH	SUCTION LINE SIZES				LIQUID LINE SIZES			
	15 ft.	25 ft.	50 ft.	75 ft.	15 ft.	25 ft.	50 ft.	75 ft.
18	3/4"	3/4"	3/4"	3/4"	3/8"	3/8"	3/8"	3/8"
24	3/4"	3/4"	3/4"	3/4"	3/8"	3/8"	3/8"	3/8"
30	3/4"	3/4"	3/4"	3/4"	3/8"	3/8"	3/8"	3/8"
36	7/8"	7/8"	7/8"	7/8"	3/8"	3/8"	3/8"	3/8"
42	7/8"	7/8"	7/8"	1 1/8"	3/8"	3/8"	3/8"	3/8"
48	7/8"	7/8"	7/8"	1 1/8"	3/8"	3/8"	3/8"	3/8"
60	1 1/8"	1 1/8"	1 1/8"	1 1/8"	1/2"	1/2"	1/2"	1/2"

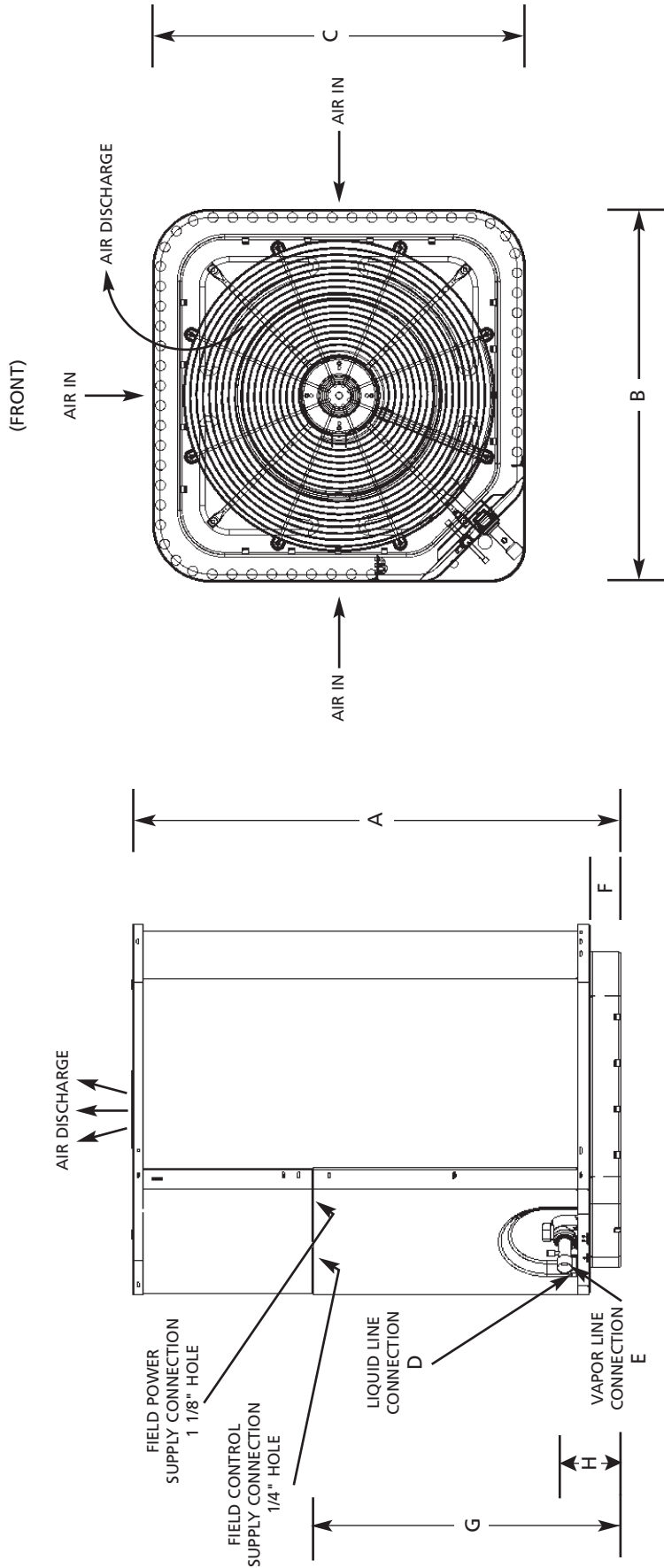
Recommended liquid and suction tube line size is for standard installations. The unit charge is correct for the outdoor unit, matched indoor coil and 15 feet of refrigerant tubing. For tubing length other than 15 feet, add or subtract the amount of refrigerant, using the difference in length multiplied by the per foot value. These recommendations do not apply to Long Line Length Installations that exceed 75 feet or where there is more than 40 feet vertical separation between indoor and outdoor units. (Lengths in excess of 75 feet or more than 40 feet vertical separation are not recommended.)  
Note: See unit installation instructions for proper installation.

EXTENDED COOLING CAPACITIES													
OUTDOOR UNIT MODEL	INDOOR UNIT	RATINGS AT STANDARD CONDITIONS				CONDENSER ENTERING AIR TEMPERATURE DEGREES (F)							
		BTUH	SEER *	CFM		80	85	90	95	100	105	110	115
C18ABZ1VF	ACZ1A024	18,000	13	600	TOTAL	19,900	18,850	18,425	18,000	17,200	16,700	16,000	15,300
					SENSIBLE	14,200	13,900	13,500	13,100	12,600	12,100	11,600	11,100
C24ABZ1VF	ACZ1A024	24,000	13	810	TOTAL	26,900	25,600	24,900	24,000	23,200	22,300	21,800	21,200
					SENSIBLE	19,300	18,750	18,200	17,750	17,100	16,550	16,000	15,500
C30ABZ1VF	ACZ1A036	28,000	13	1,000	TOTAL	30,900	29,900	29,100	28,000	27,200	26,200	25,300	24,400
					SENSIBLE	22,300	21,900	21,300	20,600	19,800	19,200	18,600	17,800
C36ACZ1VF	ACZ1A036	36,000	13	1,150	TOTAL	39,000	39,200	37,150	36,000	34,900	33,800	32,700	31,650
					SENSIBLE	29,000	28,450	27,650	26,750	26,000	25,250	24,500	23,650
C42ACZ1VF	ACZ1A048	42,000	13	1,350	TOTAL	45,450	44,300	43,150	42,000	40,800	39,650	38,550	37,500
					SENSIBLE	37,750	32,850	32,100	31,250	30,350	29,500	28,700	27,950
C48ACZ1VF	ACZ1A048	48,000	13	1,550	TOTAL	51,866	50,400	49,199	48,000	47,066	45,866	44,666	43,732
					SENSIBLE	39,439	38,663	37,757	36,723	36,335	35,689	34,913	34,266
C60ACZ1VF	ACZ1A060	56,000	13	1,750	TOTAL	59,600	58,400	57,150	56,000	54,800	53,600	52,500	51,600
					SENSIBLE	44,250	43,500	42,550	41,750	40,850	39,950	39,150	38,500

\*TDR required to obtain SEER rating.

# Product Specifications

## DIMENSIONS

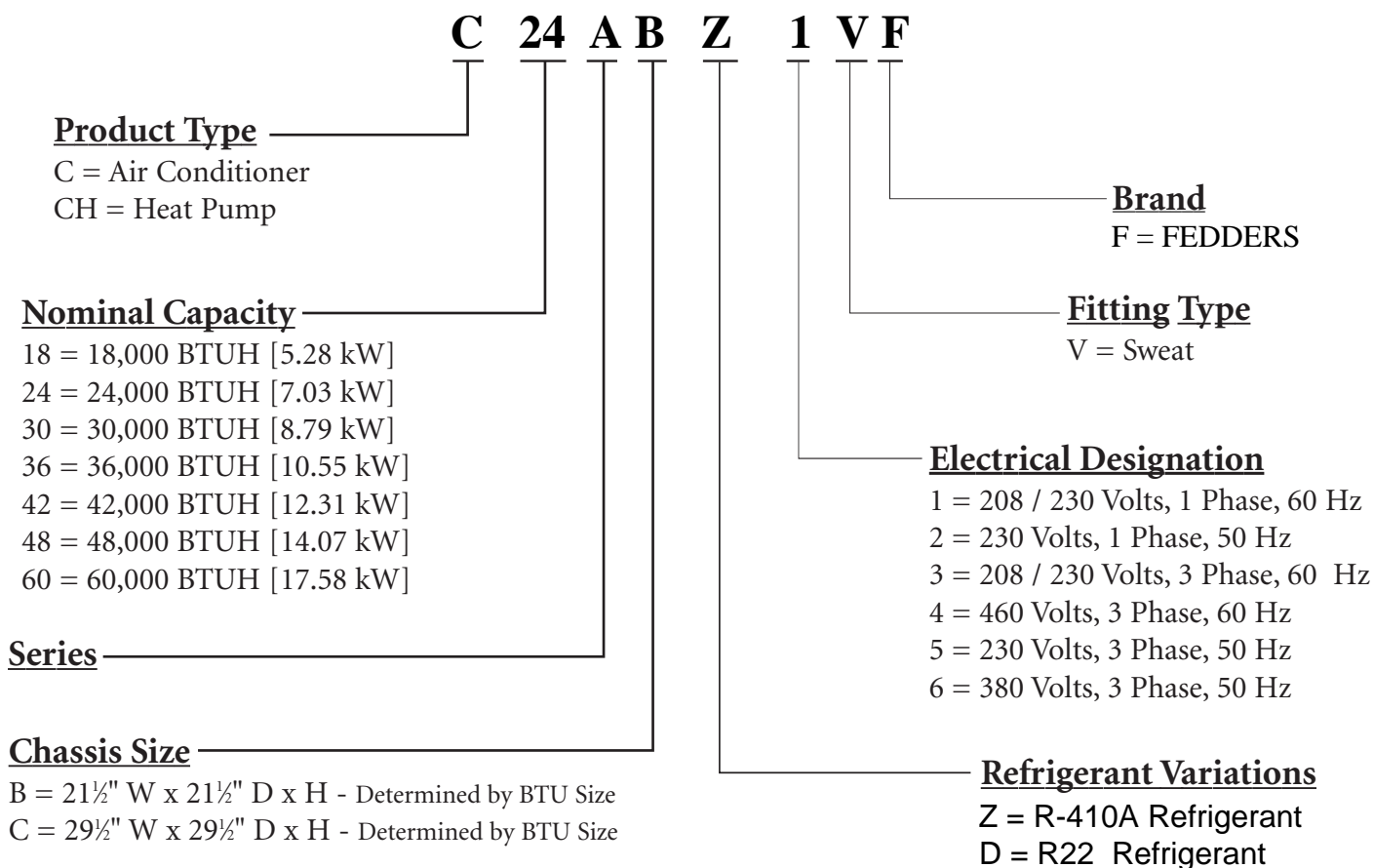


## DIMENSIONS IN INCHES

MODELS	ALL DIMENSIONS								SUGGESTED MOUNTING PAD SIZE	SHIPPING DIMENSIONS H x W x D
	A	B	C	D	E	F	G	H		
C18ABZ1VF	26 1/2	21 1/2	21 1/2	3/8	3/4	2 1/2	11 2/5	4 2/5	24 x 24	27 x 23 x 23
C24ABZ1VF	26 1/2	21 1/2	21 1/2	3/8	3/4	2 1/2	11 2/5	4 2/5	24 x 24	27 x 23 x 23
C30ABZ1VF	32 1/2	21 1/2	21 1/2	3/8	3/4	2 1/2	17 4/5	4 2/5	24 x 24	33 x 23 x 23
C36ACZ1VF	26 1/2	29 1/2	29 1/2	3/8	7/8	2 1/2	11 2/5	4 2/5	32 x 32	27 x 31 x 31
C42ACZ1VF	32 1/2	29 1/2	29 1/2	3/8	7/8	2 1/2	17 4/5	4 2/5	32 x 32	33 x 31 x 31
C48ACZ1VF	32 1/2	29 1/2	29 1/2	3/8	7/8	2 1/2	17 4/5	4 2/5	32 x 32	33 x 31 x 31
C60ACZ1VF	39	29 1/2	29 1/2	1/2	1 1/8	2 1/2	24 4/5	5 1/5	32 x 32	39 1/2 x 31 x 31

# Product Specifications

## Residential & Light Commercial AC Condensing Units Model Number Identification



Airwell Fedders North America  
2 Centre Drive  
Monroe Township, NJ 08831  
866-829-2440

All product specifications reflect available information at the printing of this brochure.  
Airwell Fedders North America reserves the right to revise or modify products and/or specifications without notice.