



America's Heating and Cooling Store



N4H4

**Performance Series
Product Specifications**

**HIGH EFFICIENCY 14 SEER HEAT PUMP
ENVIRONMENTALLY SOUND R-410A REFRIGERANT**

**1½ THRU 5 TONS SPLIT SYSTEM
208 / 230 Volt, 1-phase, 60 Hz**

REFRIGERATION CIRCUIT

- Copeland® compressors on all models
- Suction line accumulator factory installed
- Bi-flow filter-drier supplied with every unit for field installation
- Integrated solid state control with Time-Temperature Defrost
- High and Low pressure switches
- Copper tube / aluminum fin coil

EASY TO INSTALL AND SERVICE

- Easy Access service valves on all models
- External high and low refrigerant service ports
- Only two screws to access control panel
- Factory charged with R-410A refrigerant

BUILT TO LAST

- Baked-on powder coat finish over galvanized steel
- Post-painted (black) coil fins
- Coated, weather-resistant cabinet screws
- Coated inlet grille with 2" (51mm) spacing standard, alternate models available with ¾" (10mm) grille spacing for extra protection

WARRANTY*

- 5 year compressor limited warranty
- 5 year parts limited warranty (including compressor and coil)
 - With timely registration, an additional 5 year parts limited warranty (including compressor and coil)

* Applies to original purchaser/homeowner, some limitations may apply. See Warranty certificate for complete details.



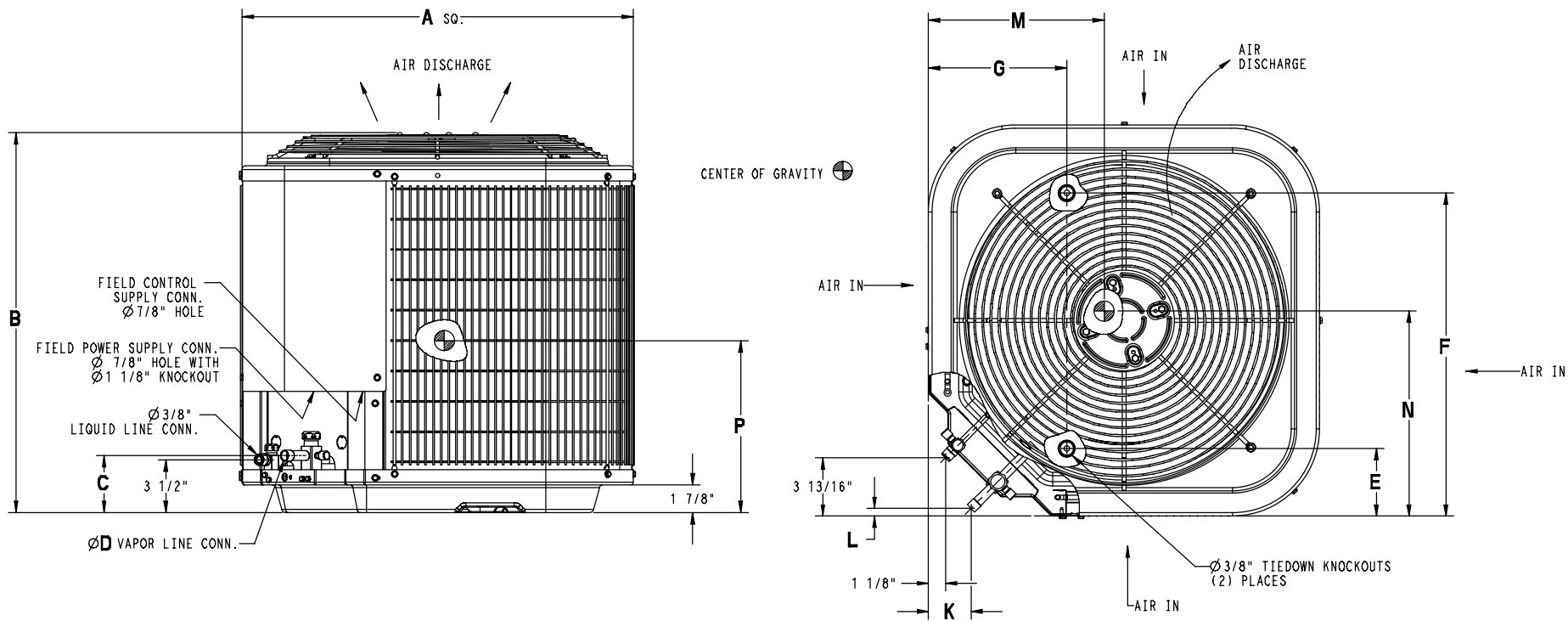
This product has been designed and manufactured to meet ENERGY STAR criteria for energy efficiency when matched with appropriate coil components. However, proper refrigerant charge and proper air flow are critical to achieve rated capacity and efficiency. Installation of this product should follow the manufacturer's refrigerant charging and air flow instructions. Failure to confirm proper charge and airflow may reduce energy efficiency and shorten equipment life.



Rated in accordance with ARI Standard 210/240. Certification applies only when used with proper components as listed with ARI.

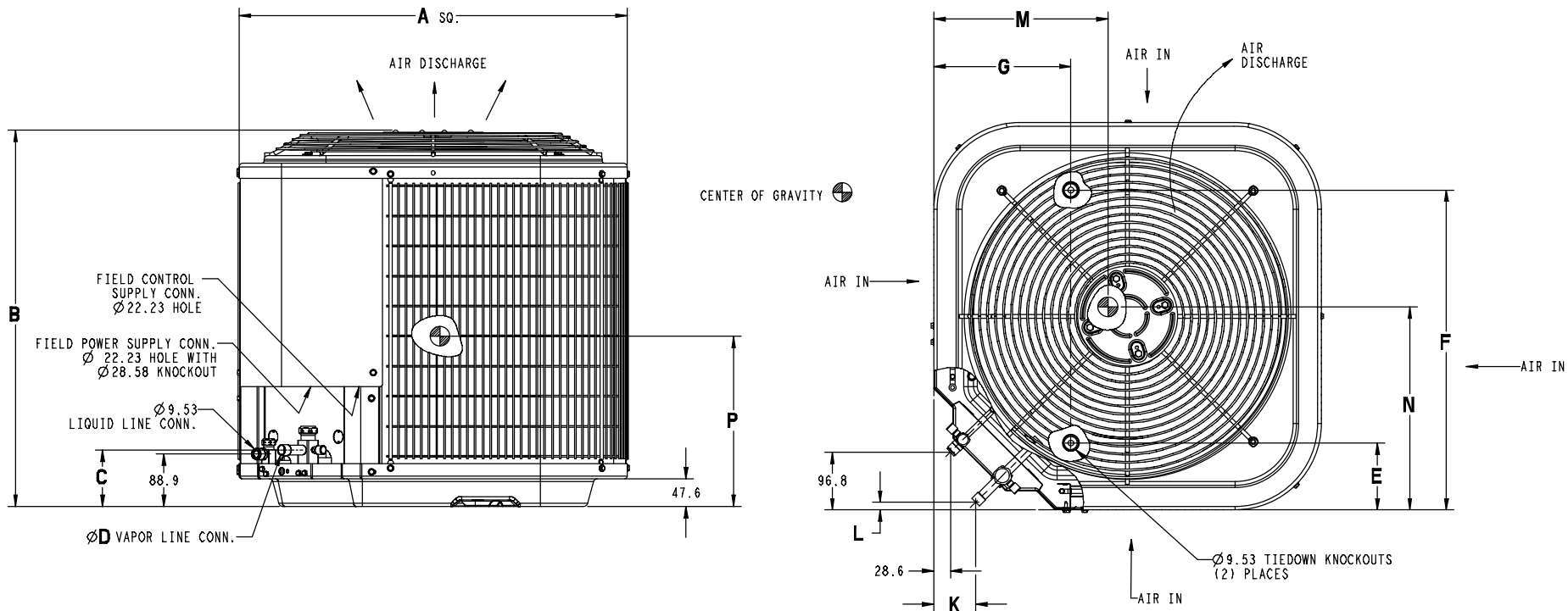
Model Number	Size (tons)	Nominal Btu/hr	Min. Circuit Ampacity	Max. Fuse or Breaker	Operating Dimensions height x width x depth inches (mm)	Ship / Operating Weight lbs. (kg)
N4H418AKB	1½	18,000	11.9	20	28 ¹⁵ / ₁₆ x 31 ³ / ₁₆ x 31 ³ / ₁₆ (735 x 792 x 792)	173 / 146 (79 / 66)
18GKB	same model with 3/8" spacing inlet grille					
N4H424AKB	2	24,000	16.5	25	39 ¹ / ₈ x 35 x 35 (994 x 889 x 889)	228 / 186 (103 / 84)
24GKB	same model with 3/8" spacing inlet grille					
N4H430AKB	2½	30,000	18.9	30	32 ⁵ / ₁₆ x 35 x 35 (821 x 889 x 889)	245 / 209 (111 / 95)
30GKB	same model with 3/8" spacing inlet grille					
N4H436AKB	3	36,000	22.1	35	35 ³ / ₄ x 35 x 35 (908 x 889 x 889)	257 / 220 (117 / 100)
36GKB	same model with 3/8" spacing inlet grille					
N4H442AKB	3½	42,000	29.2	45	39 ¹ / ₈ x 35 x 35 (994 x 889 x 889)	285 / 249 (129 / 113)
42GKB	same model with 3/8" spacing inlet grille					
N4H448AKB	4	48,000	29.8	50	39 ¹ / ₈ x 35 x 35 (994 x 889 x 889)	299 / 261 (136 / 118)
48GKB	same model with 3/8" spacing inlet grille					
N4H460AKB	5	60,000	34.5	50	45 ¹⁵ / ₁₆ x 35 x 35 (1167 x 889 x 889)	350 / 310 (159 / 141)
60GKB	same model with 3/8" spacing inlet grille					

Specifications subject to change without notice.



Dimensions Inches

Model (* = A or G)	Dimensions Inches												Minimum Mounting Pad Size	Crated Dimensions h x w x d
	A	B	C	D	E	F	G	K	L	M	N	P		
N4H418*KB	31 ⁹ / ₁₆	28 ¹⁵ / ₁₆	3 ³ / ₄	5 ⁵ / ₈	6 ⁹ / ₁₆	21 ¹ / ₄	9 ¹ / ₈	2 ¹³ / ₁₆	1/2	14	14 ³ / ₄	14	31 ¹ / ₂ x 32 ¹ / ₂	32 ⁹ / ₁₆ x 32 ³ / ₈ x 35 ¹ / ₂
N4H424*KB	35	39 ¹ / ₈	3 ³ / ₄	5 ⁵ / ₈	6 ⁹ / ₁₆	28 ⁷ / ₁₆	9 ¹ / ₈	2 ¹³ / ₁₆	1/2	15 ³ / ₄	15 ¹ / ₂	16 ¹ / ₄	35 x 35	42 ³ / ₄ x 36 ¹ / ₈ x 39 ⁵ / ₁₆
N4H430*KB	35	32 ⁵ / ₁₆	3 ³ / ₄	3 ³ / ₄	6 ⁹ / ₁₆	28 ⁷ / ₁₆	9 ¹ / ₈	2 ¹³ / ₁₆	1/2	16	15 ¹ / ₄	14 ³ / ₄	35 x 35	35 ¹⁵ / ₁₆ x 36 ¹ / ₈ x 39 ⁵ / ₁₆
N4H436*KB	35	35 ³ / ₄	3 ³ / ₄	3 ³ / ₄	6 ⁹ / ₁₆	28 ⁷ / ₁₆	9 ¹ / ₈	2 ¹³ / ₁₆	1/2	16	14 ¹ / ₂	15 ¹ / ₂	35 x 35	39 ³ / ₈ x 36 ¹ / ₈ x 39 ⁵ / ₁₆
N4H442*KB	35	39 ¹ / ₈	3 ⁷ / ₈	7 ⁷ / ₈	6 ⁹ / ₁₆	28 ⁷ / ₁₆	9 ¹ / ₈	2 ¹⁵ / ₁₆	5 ⁵ / ₈	16 ¹ / ₄	15 ¹ / ₂	18 ¹ / ₂	35 x 35	42 ³ / ₄ x 36 ¹ / ₈ x 39 ⁵ / ₁₆
N4H448*KB	35	39 ¹ / ₈	3 ⁷ / ₈	7 ⁷ / ₈	6 ⁹ / ₁₆	28 ⁷ / ₁₆	9 ¹ / ₈	2 ¹⁵ / ₁₆	5 ⁵ / ₈	16 ¹ / ₂	17 ¹ / ₂	17 ¹ / ₂	35 x 35	42 ³ / ₄ x 36 ¹ / ₈ x 39 ⁵ / ₁₆
N4H460*KB	35	45 ¹⁵ / ₁₆	3 ⁷ / ₈	7 ⁷ / ₈	6 ⁹ / ₁₆	28 ⁷ / ₁₆	9 ¹ / ₈	2 ¹⁵ / ₁₆	5 ⁵ / ₈	16	19	22	35 x 35	49 ⁹ / ₁₆ x 36 ¹ / ₈ x 39 ⁵ / ₁₆



Model (* = A or G)	Dimensions mm												Minimum Mounting Pad Size	Crated Dimensions h x w x d
	A	B	C	D	E	F	G	K	L	M	N	P		
N4H418*KB	792	735	95	16	167	540	232	71	13	356	375	356	800 x 800	827 x 822 x 902
N4H424*KB	889	994	95	16	167	722	232	71	13	400	394	413	889 x 889	1086 x 918 x 999
N4H430*KB	889	813	95	19	167	722	232	71	13	406	387	375	889 x 889	913 x 918 x 999
N4H436*KB	889	908	95	19	167	722	232	71	13	406	368	394	889 x 889	1000 x 918 x 999
N4H442*KB	889	994	98	22	167	722	232	75	16	413	394	470	889 x 889	1086 x 918 x 999
N4H448*KB	889	994	98	22	167	722	232	75	16	419	445	445	889 x 889	1086 x 918 x 999
N4H460*KB	889	1167	98	22	167	722	232	75	16	406	483	559	889 x 889	1259 x 918 x 999

PHYSICAL DATA							
Model Size	18	24	30	36	42	48	60
Nominal Cooling Capacity (BTU/hr)	18,000	24,000	30,000	36,000	42,000	48,000	60,000
Nominal SEER	14.0	14.0	14.0	14.0	14.0	14.0	14.0
Sound Rating (dBA)**	76	72	75	74	76	76	76
PSC Fan Motor HP	1/10	1/12	1/8	1/5	1/5	1/5	1/5
Fan RPM (single speed)	800	800	800	800	800	800	800
Fan CFM	2614	3223	3334	3810	3810	4046	4046
Coil Face Area ft ² (m ²)	15.09 (1.4)	25.15 (2.3)	20.12 (1.9)	22.63 (2.1)	25.15 (2.3)	25.15 (2.3)	30.18 (2.8)
Coil Rows–fins per inch	1 – 20	1 – 20	2 – 20	2 – 20	2 – 20	2 – 20	2 – 20
Low Pressure Switch Open Pressure Close Pressure	23 ± 5 PSIG 55 ± 5 PSIG	23 ± 5 PSIG 55 ± 5 PSIG	23 ± 5 PSIG 55 ± 5 PSIG	23 ± 5 PSIG 55 ± 5 PSIG	23 ± 5 PSIG 55 ± 5 PSIG	23 ± 5 PSIG 55 ± 5 PSIG	23 ± 5 PSIG 55 ± 5 PSIG
High Pressure Switch Open Pressure Close Pressure	670 ± 10 PSIG 470 ± 25 PSIG	670 ± 10 PSIG 470 ± 25 PSIG	670 ± 10 PSIG 470 ± 25 PSIG	670 ± 10 PSIG 470 ± 25 PSIG	670 ± 10 PSIG 470 ± 25 PSIG	670 ± 10 PSIG 470 ± 25 PSIG	670 ± 10 PSIG 470 ± 25 PSIG
Liquid Line Connection Size in. (mm)	3/8 (10)	3/8 (10)	3/8 (10)	3/8 (10)	3/8 (10)	3/8 (10)	3/8 (10)
Vapor Line Connection Size in. (mm)	5/8 (16)	5/8 (16)	3/4 (19)	3/4 (19)	7/8 (22)	7/8 (22)	7/8 (22)
Recommended Line Set Liquid Tube Diameter in. (mm)	3/8 (10)	3/8 (10)	3/8 (10)	3/8 (10)	3/8 (10)	3/8 (10)	3/8 (10)
Recommended Line Set Vapor Tube Diameter in. (mm)	5/8 (16) *	5/8 (16) *	3/4 (19) *	3/4 (19) *	7/8 (22) *	7/8 (22) *	1 1/8 (29)*
* Recommended Vapor Tube Line size is for standard installations. These recommendations may not apply to “Long Line” installations. When the total equivalent line length exceeds 80 feet (24.4m) or there is more than 20 feet (6.1m) vertical separation between indoor and outdoor units, consult the Long Line Application Guideline document before purchasing/installing line sets.							
Factory Charge R-410A lbs. (kg)	6.40 (2.90)	7.30 (3.31)	11.20 (5.08)	13.20 (5.99)	11.90 (5.40)	13.50 (6.12)	16.20 (7.35)
Required Subcooling °F (°C)	10 (6)	6 (3)	10 (6)	9 (5)	9 (5)	9 (5)	11 (6)
Weight, shipping lbs. (kg)	173 (79)	228 (103)	245 (111)	257 (117)	285 (129)	299 (136)	350 (159)
Weight, operating lbs. (kg)	146 (66)	186 (84)	209 (95)	220 (100)	249 (113)	261 (118)	310 (141)

ELECTRICAL DATA (208/230–1–60, voltage range 197V – 253V)							
Model Size	18	24	30	36	42	48	60
Minimum Circuit Ampacity – MCA (amps)	11.9	16.5	18.9	22.1	29.2	29.8	34.5
Maximum OverCurrent Protective device – MOCP (amps)	20	25	30	35	45	50	50
Compressor RLA (Rated Load Amps) LRA (Locked Rotor Amps)	9.0 48	12.8 58	14.4 73	16.7 79	22.4 109	22.9 117	26.7 134
Fan Motor FLA (Full Load Amps)	0.75	0.5	0.9	1.2	1.2	1.2	1.2

**Sound Rating tested in accordance with ARI Standard 270–95 (not listed with ARI).

R-410A COOLING CAPACITY LOSS FOR VARIOUS LINE LENGTHS & TUBE DIAMETERS															
Model Size	Liquid Line in.(mm)	Acceptable Vapor Line Sizes in. (mm)	Cooling Capacity Loss (%) at Total Equivalent Line Length, feet (m) Refer to Long Line Application Guideline to calculate equivalent length												
			Standard Application			Long Line Application (Requires Accessories)									
			25' (7.6)	50' (15.2)	80' (24.4)	81' (24.7)	100' (30.5)	125' (38.1)	150' (45.7)	175' (53.3)	200' (61)	225' (68.6)	250' (76.2)		
18	3/8 (10)	1/2 (13)	1	2	3	3	4	6	7	8	9	10	12		
		5/8 (16)	0	0	1	1	1	1	2	2	3	3	3		
24		5/8 (16)	0	1	1	1	2	3	3	4	4	5	6		
		3/4 (19)	0	0	0	0	0	1	1	1	1	1	2		
30		5/8 (16)	1	2	3	3	3	4	5	6	7	8	9		
		3/4 (19)	0	0	1	1	1	1	2	2	2	3	3		
		7/8 (22)	0	0	0	0	0	1	1	1	1	1	1		
36		5/8 (16)	1	2	4	4	5	6	7	9	10	11	13		
		3/4 (19)	0	0	1	1	1	2	2	3	3	4	4		
		7/8 (22)	0	0	0	0	0	1	1	1	1	2	2		
42		3/4 (19)	0	1	2	2	2	3	4	4	5	6	6		
		7/8 (22)	0	0	1	1	1	1	2	2	2	3	3		
48		3/4 (19)	0	1	2	2	3	4	5	5	6	7	8		
		7/8 (22)	0	0	1	1	1	2	2	2	3	3	4		
60	3/4 (19)	1	2	4	4	5	6	7	9	10	11	12			
	7/8 (22)	0	1	2	2	2	3	4	4	5	5	6			
	1 1/8 (29)	0	0	0	0	1	1	1	1	1	1	2			

* Applications are considered "Long Line" if the total equivalent tubing length exceeds 80 feet (24.4m) or there is more than 20 foot (6.1m) vertical separation between indoor and outdoor units. These applications require additional accessories and system modifications for reliable system operation.

Applications in shaded area may have height restrictions that limit allowable total equivalent length when outdoor unit is below indoor unit.

ACCESSORY USAGE GUIDELINES			
Accessory	REQUIRED FOR APPLICATIONS IN SNOW-BELT REGION	REQUIRED FOR LOW-AMBIENT APPLICATIONS {Below 55°F (13°C)}	REQUIRED FOR LONG-LINE APPLICATIONS* {Over 80 Ft. (24.4m)}
Crankcase Heater	Standard (if required)	Yes	Yes
Evaporator Freeze Thermostat	No	Yes	No
Accumulator	Standard (factory installed)	Standard (factory installed)	Standard (factory installed)
Hard Start Kit (Capacitor & Relay)	No	Yes	Yes
Low Ambient Kit (Pressure Switch)	No	Yes	No
Support Feet, 4" (102mm) tall	Yes	Recommended	No
Liquid Line Solenoid Valve	No	No	See Long-Line Application Guideline

* For Line Set lengths between 80 and 200 ft (24.4 and 61m) horizontal. or more than 20 ft (6.1m) indoor-outdoor vertical separation, refer to the Long Line Application Guideline document.

ACCESSORIES		
Part Number	Description	Used On Model Size
NASA00601CH	Crankcase Heater for Scroll Compressor (208/230 V)	18, 24
(Factory Installed)	Crankcase Heater for Scroll Compressor (208/230 V)	30, 36, 42, 48, 60 (Factory Installed)
NASA001SC	Start Component – PTC Device	ALL
NASA001FS	Evaporator Freeze Thermostat	ALL
NASA001LS	Liquid Line Solenoid Valve, HP, R-22 or R-410A	ALL
NASA001TD	Time Delay Relay, Indoor Blower	ALL
NASA001AC	Anti-Cycle Timer (5 minute delay)	ALL
NASA005SC	Hard Start Kit (Capacitor & Relay)	ALL
NASA401LA	Low Ambient Pressure Switch	ALL
NASA001SF	Support Feet, 4" (102mm) tall	ALL
NASA001SJ	Sound Jacket, Compressor	ALL
AXWR01DFC	Fossil Fuel Kit	ALL
NASA00106SS	Snow Stand Kit	ALL
EBAC05TXVX	TXV Kit, R-410A *	18, 24, 30
EBAC06TXVX	TXV Kit, R-410A *	36, 42
EBAC07TXVX	TXV Kit, R-410A *	48, 60

* ONLY converts Fan Coils equipped with factory installed R-22 TXV.

COOLING & HEATING PERFORMANCE FOR COMBINATION RATINGS
Indoor Models

Outdoor Model	Current Indoor Model (‡ tested combo)	Furnace Model	Factory Installed	Cool 95° F (35° C)			SEER		Heat 47 ° F (8.3° C)		Heat 17 ° F (-8.3° C)		HSPF
				BTU/hr	S / T	EER	factory	with field TDR	BTU/hr	COP	BTU/hr	COP	
N4H418AKB N4H418GKB	‡FEM4X18****	†	TDR&TXV	17,400	0.76	11.50	14.00		17,700	3.56	10,300	2.32	7.7
	ED*4X18B**	*8MPV050	TDR&TXV	17,400	0.76	11.50	14.00		17,700	3.52	10,400	2.30	7.7
	ED*4X18B**	MV08B15**B*	TDR&TXV	17,200	0.76	11.70	14.50		17,200	3.42	10,000	2.30	7.7
	ED*4X24B**	*8MPV050	TDR&TXV	17,800	0.76	11.70	14.50		18,000	3.70	10,500	2.38	8.0
	ED*4X24B**	MV08B15**B*	TDR&TXV	17,400	0.76	12.00	15.00		17,400	3.58	10,100	2.34	8.0
	ED*4X24B**	†	TXV	17,300	0.76	10.70		13.20	18,000	3.44	10,700	2.22	7.7
	ED*4X24F**	†	TXV	17,300	0.76	10.70		13.20	18,000	3.44	10,700	2.22	7.7
	EHD4X24A**	*8MPV050	TDR&TXV	17,900	0.76	11.70	14.50		18,000	3.74	10,500	2.38	8.0
	EHD4X24A**	*9MPV050	TDR&TXV	17,900	0.76	11.70	14.50		18,000	3.76	10,500	2.38	8.2
	EHD4X24A**	*9MPV075	TDR&TXV	17,900	0.76	11.70	14.50		18,000	3.74	10,500	2.38	8.0
	EHD4X24A**	*9MVX040	TDR&TXV	18,000	0.76	11.50	14.50		18,000	3.76	10,600	2.38	8.2
	EHD4X24A**	*9MVX060	TDR&TXV	17,900	0.76	11.50	14.50		18,000	3.76	10,600	2.38	8.2
	EHD4X24A**	MV08B15**B*	TDR&TXV	17,600	0.76	12.00	15.00		17,600	3.62	10,100	2.36	8.0
	EHD4X24A**	†	TXV	17,500	0.76	10.70		13.20	18,000	3.50	10,800	2.24	7.7
	EMA4X24D**	†	TXV	17,300	0.76	10.70		13.20	18,000	3.50	10,800	2.24	7.7
	FEM4X24****	†	TDR&TXV	17,600	0.76	11.70	14.50		17,700	3.60	10,300	2.36	8.0
	FS(M,U)4X18****	†	TDR&TXV	17,000	0.76	10.50	13.00		18,000	3.34	10,700	2.18	7.7
	FS(M,U)4X24****	†	TDR&TXV	17,100	0.76	10.50	13.00		18,000	3.34	10,700	2.18	7.7
FSA4X24**A*	†	TDR&TXV	17,300	0.76	10.50	13.00		18,000	3.40	10,700	2.22	7.7	
FVM4X24****	†	TDR&TXV	17,600	0.76	12.00	15.00		17,500	3.62	10,100	2.36	8.0	
N4H424AKB N4H424GKB	‡FS(M,U)4X30****	†	TDR&TXV	23,200	0.76	11.50	14.00		24,000	3.66	15,100	2.54	8.4
	ED*4X24B**	*8MPV050	TDR&TXV	23,400	0.76	12.00	14.50		24,000	3.78	14,900	2.62	8.5
	ED*4X24B**	MV08B15**B*	TDR&TXV	23,200	0.76	12.50	15.00		24,000	3.76	14,400	2.66	8.7
	ED*4X24B**	†	TXV	23,000	0.76	11.20		13.50	24,000	3.64	15,200	2.52	8.2
	ED*4X24F**	*8MPV075	TDR&TXV	23,400	0.76	12.50	15.00		24,000	3.86	14,800	2.68	8.7
	ED*4X24F**	*9MPV050	TDR&TXV	23,200	0.76	12.00	14.50		24,000	3.72	14,700	2.62	8.4
	ED*4X24F**	*9MPV075	TDR&TXV	23,200	0.76	12.00	14.50		24,000	3.76	14,700	2.62	8.5
	ED*4X24F**	*9MVX040	TDR&TXV	23,200	0.76	12.00	14.50		24,000	3.74	14,700	2.62	8.5
	ED*4X24F**	*9MVX060	TDR&TXV	23,400	0.76	12.00	14.50		24,000	3.82	14,800	2.64	8.7
ED*4X24F**	MV12F19**B*	TDR&TXV	23,200	0.76	12.50	15.00		24,000	3.76	14,400	2.68	8.7	

2009 ENERGY STAR compliance for combinations with all three: SEER 14.50 or higher and EER 12.00 or higher and HSPF 8.2 or higher.

† For coils not listed with a matching furnace or blower, coil rating applies with any indoor blower device.

- continued on next page -

COOLING & HEATING PERFORMANCE FOR COMBINATION RATINGS (continued)													
Indoor Models													
Outdoor Model	Current Indoor Model (‡ tested combo)	Furnace Model	Factory Installed	Cool 95° F (35° C)			SEER		Heat 47 ° F (8.3° C)		Heat 17 ° F (-8.3° C)		HSPF
				BTU/hr	S / T	EER	factory	with field TDR	BTU/hr	COP	BTU/hr	COP	
N4H424AKB N4H424GKB (continued)	ED*4X24F**	†	TXV	23,000	0.76	11.20		13.50	24,000	3.64	15,200	2.52	8.2
	ED*4X30B**	*8MPV050	TDR&TXV	23,600	0.76	12.00	14.50		24,000	3.76	14,900	2.64	8.5
	ED*4X30B**	MV08B15**B*	TDR&TXV	23,400	0.76	12.50	15.00		23,600	3.78	14,400	2.68	8.8
	ED*4X30B**	†	TXV	23,400	0.76	11.20		13.50	24,000	3.60	15,300	2.54	8.3
	ED*4X30F**	*8MPV075	TDR&TXV	24,000	0.76	12.50	15.00		23,800	3.86	14,800	2.72	8.9
	ED*4X30F**	*9MPV050	TDR&TXV	23,600	0.76	12.50	15.00		23,800	3.76	14,700	2.66	8.5
	ED*4X30F**	*9MPV075	TDR&TXV	23,600	0.76	12.50	15.00		24,000	3.78	14,800	2.66	8.6
	ED*4X30F**	*9MVX040	TDR&TXV	23,600	0.76	12.00	15.00		23,800	3.76	14,800	2.66	8.7
	ED*4X30F**	*9MVX060	TDR&TXV	23,800	0.76	12.00	15.00		24,000	3.80	14,800	2.68	8.7
	ED*4X30F**	MV12F19**B*	TDR&TXV	23,400	0.76	13.00	15.00		23,600	3.80	14,400	2.70	8.8
	ED*4X30F**	†	TXV	23,400	0.76	11.20		13.50	24,000	3.60	15,300	2.54	8.3
	EHD4X24A**	*8MPV050	TDR&TXV	23,600	0.76	12.00	14.50		24,000	3.82	15,000	2.64	8.6
	EHD4X24A**	*8MPV075	TDR&TXV	23,600	0.76	12.50	15.00		24,000	3.86	14,800	2.66	8.8
	EHD4X24A**	*8MPV100	TDR&TXV	23,800	0.76	12.50	15.00		24,000	3.94	14,800	2.70	9.0
	EHD4X24A**	*8MPV125	TDR&TXV	23,800	0.76	12.50	15.00		24,000	3.94	14,800	2.72	9.0
	EHD4X24A**	*9MPV050	TDR&TXV	23,200	0.76	12.00	14.50		24,000	3.74	14,700	2.60	8.6
	EHD4X24A**	*9MPV075	TDR&TXV	23,200	0.76	12.00	14.50		24,000	3.74	14,700	2.60	8.6
	EHD4X24A**	*9MPV100	TDR&TXV	23,600	0.76	12.00	15.00		24,000	3.86	14,800	2.66	8.8
	EHD4X24A**	*9MPV125	TDR&TXV	23,600	0.76	12.50	15.00		24,000	3.88	14,800	2.68	8.9
	EHD4X24A**	*9MVX040	TDR&TXV	23,200	0.76	12.00	14.50		24,000	3.76	14,700	2.62	8.7
	EHD4X24A**	*9MVX060	TDR&TXV	23,400	0.76	12.00	14.50		24,000	3.80	14,800	2.64	8.7
	EHD4X24A**	*9MVX080	TDR&TXV	23,800	0.76	12.00	15.00		24,000	3.92	14,900	2.70	8.8
	EHD4X24A**	*9MVX100	TDR&TXV	23,600	0.76	12.00	15.00		24,000	3.88	14,800	2.68	8.8
	EHD4X24A**	MV08B15**B*	TDR&TXV	23,400	0.76	12.50	15.00		24,000	3.86	14,500	2.68	8.8
	EHD4X24A**	MV12F19**B*	TDR&TXV	23,400	0.76	12.50	15.00		24,000	3.86	14,500	2.68	9.0
	EHD4X24A**	†	TXV	23,400	0.76	11.20		13.50	24,000	3.72	15,300	2.56	8.4
	EHD4X30A**	*8MPV050	TDR&TXV	23,800	0.76	12.00	14.50		23,800	3.76	15,000	2.66	8.6
	EHD4X30A**	*8MPV075	TDR&TXV	23,800	0.76	12.50	15.00		23,800	3.82	14,800	2.70	8.7
EHD4X30A**	*8MPV100	TDR&TXV	24,000	0.76	12.50	15.00		23,600	3.88	14,900	2.74	9.0	
EHD4X30A**	*8MPV125	TDR&TXV	24,000	0.76	12.50	15.00		23,600	3.90	14,800	2.76	9.0	

2009 ENERGY STAR compliance for combinations with all three: SEER 14.50 or higher and EER 12.00 or higher and HSPF 8.2 or higher.

† For coils not listed with a matching furnace or blower, coil rating applies with any indoor blower device.

- continued on next page -

COOLING & HEATING PERFORMANCE FOR COMBINATION RATINGS (continued)
Indoor Models

Outdoor Model	Current Indoor Model (‡ tested combo)	Furnace Model	Factory Installed	Cool 95° F (35° C)			SEER		Heat 47 ° F (8.3° C)		Heat 17 ° F (-8.3° C)		HSPF
				BTU/hr	S / T	EER	factory	with field TDR	BTU/hr	COP	BTU/hr	COP	
N4H424AKB N4H424GKB (continued)	EHD4X30A**	*9MPV050	TDR&TXV	23,600	0.76	12.50	15.00		23,800	3.72	14,700	2.64	8.7
	EHD4X30A**	*9MPV075	TDR&TXV	23,600	0.76	12.50	15.00		23,800	3.74	14,800	2.64	8.5
	EHD4X30A**	*9MPV100	TDR&TXV	24,000	0.76	12.50	15.00		23,600	3.82	14,900	2.70	8.7
	EHD4X30A**	*9MPV125	TDR&TXV	24,000	0.76	12.50	15.00		23,600	3.86	14,800	2.72	9.0
	EHD4X30A**	*9MVX040	TDR&TXV	23,600	0.76	12.00	15.00		23,800	3.72	14,700	2.64	8.7
	EHD4X30A**	*9MVX060	TDR&TXV	23,800	0.76	12.00	15.00		23,800	3.78	14,800	2.66	8.7
	EHD4X30A**	*9MVX080	TDR&TXV	24,000	0.76	12.00	15.00		23,600	3.86	14,900	2.74	8.8
	EHD4X30A**	*9MVX100	TDR&TXV	24,000	0.76	12.00	15.00		23,600	3.86	14,800	2.72	8.8
	EHD4X30A**	MV08B15**B*	TDR&TXV	23,600	0.76	12.50	15.00		23,600	3.80	14,400	2.70	8.8
	EHD4X30A**	MV12F19**B*	TDR&TXV	23,600	0.76	13.00	15.00		23,600	3.80	14,400	2.70	8.8
	EHD4X30A**	†	TXV	23,400	0.76	11.20		13.50	24,000	3.62	15,300	2.56	8.4
	EMA4X24D**	†	TXV	23,000	0.76	11.20		13.50	24,000	3.72	15,300	2.54	8.4
	FEM4X24****	†	TDR&TXV	23,200	0.76	12.00	14.50		24,000	3.74	14,700	2.62	8.5
	FEM4X30****	†	TDR&TXV	23,600	0.76	12.50	15.00		24,000	3.88	14,700	2.68	8.6
	FS(M,U)4X24****	†	TDR&TXV	22,800	0.76	11.20	13.50		24,000	3.56	15,100	2.50	8.2
	FSA4X24**A*	†	TDR&TXV	23,000	0.76	11.00	13.00		24,000	3.58	15,200	2.50	8.2
	FSA4X30**A*	†	TDR&TXV	23,000	0.76	11.00	13.00		24,000	3.60	15,200	2.50	8.2
FVM4X24****	†	TDR&TXV	23,400	0.76	12.50	15.00		24,000	3.84	14,500	2.68	8.8	
FVM4X36****	†	TDR&TXV	23,600	0.76	13.00	15.00		23,600	3.82	14,400	2.70	8.8	
N4H430AKB N4H430GKB	‡FSU4X36****	†	TDR&TXV	28,800	0.74	11.50	14.00		30,000	3.58	18,200	2.42	8.2
	ED*4X30B**	*8MPV050	TDR&TXV	28,800	0.74	12.00	14.50		29,800	3.58	17,900	2.46	8.2
	ED*4X30B**	MV08B15**B*	TDR&TXV	29,000	0.74	13.00	15.00		29,000	3.68	17,200	2.54	8.5
	ED*4X30B**	†	TXV	28,800	0.74	11.50		14.00	30,000	3.56	18,100	2.44	8.2
	ED*4X30F**	*8MPV075	TDR&TXV	29,000	0.74	12.50	15.00		29,600	3.68	17,600	2.54	8.4
	ED*4X30F**	*9MPV050	TDR&TXV	28,800	0.74	12.50	15.00		29,400	3.58	17,600	2.48	8.2
	ED*4X30F**	*9MPV075	TDR&TXV	28,800	0.74	12.50	15.00		29,400	3.60	17,600	2.48	8.2
	ED*4X30F**	*9MVX040	TDR&TXV	28,800	0.74	12.00	14.50		29,400	3.60	17,600	2.48	8.2
	ED*4X30F**	*9MVX060	TDR&TXV	29,000	0.74	12.00	15.00		29,600	3.64	17,600	2.50	8.3
	ED*4X30F**	MV12F19**B*	TDR&TXV	29,000	0.74	13.00	15.00		29,000	3.72	17,100	2.58	8.5
	ED*4X30F**	†	TXV	28,800	0.74	11.50		14.00	30,000	3.56	18,100	2.44	8.2

2009 ENERGY STAR compliance for combinations with all three: SEER 14.50 or higher and EER 12.00 or higher and HSPF 8.2 or higher.

† For coils not listed with a matching furnace or blower, coil rating applies with any indoor blower device.

COOLING & HEATING PERFORMANCE FOR COMBINATION RATINGS (continued)
Indoor Models

Outdoor Model	Current Indoor Model (‡ tested combo)	Furnace Model	Factory Installed	Cool 95° F (35° C)			SEER		Heat 47 ° F (8.3° C)		Heat 17 ° F (-8.3° C)		HSPF
				BTU/hr	S / T	EER	factory	with field TDR	BTU/hr	COP	BTU/hr	COP	
N4H430AKB N4H430GKB (continued)	ED*4X36B**	*8MPV050	TDR&TXV	29,000	0.74	12.00	14.50		30,000	3.62	17,900	2.46	8.3
	ED*4X36B**	MV08B15**B*	TDR&TXV	29,000	0.74	13.00	15.00		29,200	3.72	17,200	2.56	8.5
	ED*4X36B**	†	TXV	29,000	0.74	11.50		14.00	30,000	3.60	18,200	2.44	8.2
	ED*4X36F**	*8MPV075	TDR&TXV	29,200	0.74	12.50	15.00		29,600	3.74	17,600	2.54	8.5
	ED*4X36F**	*9MPV050	TDR&TXV	28,800	0.74	12.50	15.00		29,600	3.62	17,600	2.48	8.3
	ED*4X36F**	*9MPV075	TDR&TXV	29,000	0.74	12.50	15.00		29,600	3.64	17,600	2.50	8.3
	ED*4X36F**	*9MVX040	TDR&TXV	28,800	0.74	12.00	15.00		29,600	3.62	17,600	2.50	8.2
	ED*4X36F**	*9MVX060	TDR&TXV	29,000	0.74	12.00	15.00		29,600	3.68	17,700	2.52	8.4
	ED*4X36F**	MV12F19**B*	TDR&TXV	29,200	0.74	13.00	15.00		29,000	3.76	17,100	2.58	8.6
	ED*4X36F**	†	TXV	29,000	0.74	11.50		14.00	30,000	3.60	18,200	2.44	8.3
	ED*4X36J**	*8MPV100	TDR&TXV	29,400	0.74	13.00	15.00		29,600	3.82	17,500	2.60	8.7
	ED*4X36J**	*8MPV125	TDR&TXV	29,400	0.74	13.00	15.00		29,600	3.82	17,500	2.60	8.7
	ED*4X36J**	*9MPV100	TDR&TXV	29,400	0.74	13.00	15.00		29,600	3.78	17,600	2.58	8.6
	ED*4X36J**	*9MVX080	TDR&TXV	29,400	0.74	12.00	15.50		29,800	3.80	17,600	2.58	8.6
	ED*4X36J**	†	TXV	29,000	0.74	11.50		14.00	30,000	3.60	18,200	2.44	8.3
	EHD4X30A**	*8MPV050	TDR&TXV	29,000	0.74	12.00	14.50		30,000	3.62	17,900	2.46	8.3
	EHD4X30A**	*8MPV075	TDR&TXV	29,000	0.74	12.50	15.00		29,600	3.68	17,600	2.52	8.5
	EHD4X30A**	*8MPV100	TDR&TXV	29,200	0.74	13.00	15.00		29,400	3.70	17,400	2.54	8.4
	EHD4X30A**	*8MPV125	TDR&TXV	29,200	0.74	13.00	15.00		29,200	3.70	17,400	2.54	8.4
	EHD4X30A**	*9MPV050	TDR&TXV	28,800	0.74	12.50	15.00		29,400	3.58	17,600	2.46	8.2
	EHD4X30A**	*9MPV075	TDR&TXV	28,800	0.74	12.50	15.00		29,400	3.58	17,600	2.48	8.4
	EHD4X30A**	*9MPV100	TDR&TXV	29,000	0.74	12.50	15.00		29,400	3.66	17,500	2.52	8.4
	EHD4X30A**	*9MPV125	TDR&TXV	29,000	0.74	13.00	15.00		29,200	3.68	17,400	2.54	8.4
	EHD4X30A**	*9MVX040	TDR&TXV	28,800	0.74	12.00	14.50		29,400	3.58	17,600	2.46	8.2
	EHD4X30A**	*9MVX060	TDR&TXV	29,000	0.74	12.00	15.00		29,600	3.64	17,600	2.50	8.3
	EHD4X30A**	*9MVX080	TDR&TXV	29,200	0.74	12.00	15.00		29,600	3.72	17,600	2.54	8.4
	EHD4X30A**	*9MVX100	TDR&TXV	29,000	0.74	12.50	15.00		29,200	3.66	17,400	2.52	8.3
	EHD4X30A**	MV08B15**B*	TDR&TXV	29,200	0.74	13.00	15.00		29,200	3.72	17,300	2.56	8.5
	EHD4X30A**	MV12F19**B*	TDR&TXV	29,200	0.74	13.00	15.00		29,200	3.74	17,200	2.58	8.5
	EHD4X30A**	†	TXV	29,000	0.74	11.50		14.00	30,000	3.60	18,200	2.44	8.3

2009 ENERGY STAR compliance for combinations with all three: SEER 14.50 or higher and EER 12.00 or higher and HSPF 8.2 or higher.

† For coils not listed with a matching furnace or blower, coil rating applies with any indoor blower device.

- continued on next page -

COOLING & HEATING PERFORMANCE FOR COMBINATION RATINGS (continued)
Indoor Models

Outdoor Model	Current Indoor Model (‡ tested combo)	Furnace Model	Factory Installed	Cool 95° F (35° C)			SEER		Heat 47 ° F (8.3° C)		Heat 17 ° F (-8.3° C)		HSPF
				BTU/hr	S / T	EER	factory	with field TDR	BTU/hr	COP	BTU/hr	COP	
N4H430AKB N4H430GKB (continued)	EHD4X36A**	*8MPV050	TDR&TXV	29,600	0.74	12.50	15.00		30,000	3.76	18,100	2.52	8.5
	EHD4X36A**	*8MPV075	TDR&TXV	29,800	0.74	13.00	15.00		29,800	3.84	17,700	2.58	8.7
	EHD4X36A**	*8MPV100	TDR&TXV	29,800	0.74	13.00	15.00		29,800	3.90	17,500	2.62	8.8
	EHD4X36A**	*8MPV125	TDR&TXV	29,800	0.74	13.00	15.00		29,800	3.90	17,500	2.62	8.8
	EHD4X36A**	*9MPV050	TDR&TXV	29,400	0.74	12.50	15.00		29,800	3.74	17,700	2.54	8.5
	EHD4X36A**	*9MPV075	TDR&TXV	29,400	0.74	12.50	15.00		29,800	3.76	17,700	2.54	8.5
	EHD4X36A**	*9MPV100	TDR&TXV	29,800	0.74	13.00	15.00		29,800	3.86	17,700	2.60	8.7
	EHD4X36A**	*9MPV125	TDR&TXV	29,800	0.74	13.00	15.00		29,800	3.88	17,500	2.62	8.7
	EHD4X36A**	*9MVX040	TDR&TXV	29,400	0.74	12.00	15.00		29,800	3.74	17,700	2.52	8.4
	EHD4X36A**	*9MVX060	TDR&TXV	29,600	0.74	12.00	15.00		30,000	3.80	17,800	2.56	8.6
	EHD4X36A**	*9MVX080	TDR&TXV	30,000	0.74	12.50	15.50		30,000	3.90	17,700	2.62	8.8
	EHD4X36A**	*9MVX100	TDR&TXV	29,600	0.74	12.50	15.50		29,600	3.84	17,500	2.60	8.6
	EHD4X36A**	MV08B15**B*	TDR&TXV	29,600	0.74	13.00	15.00		29,400	3.84	17,300	2.62	8.7
	EHD4X36A**	MV12F19**B*	TDR&TXV	29,600	0.74	13.00	15.00		29,400	3.86	17,300	2.62	8.8
	EHD4X36A**	†	TXV	29,400	0.74	12.00		14.00	30,000	3.70	18,300	2.48	8.5
	EMA4X36D**	†	TXV	28,800	0.74	11.50		14.00	30,000	3.58	18,200	2.44	8.2
	FEM4X30****	†	TDR&TXV	29,000	0.74	12.50	15.00		29,600	3.72	17,600	2.54	8.4
	FEM4X36****	†	TDR&TXV	29,800	0.74	13.00	15.00		30,000	3.86	17,800	2.58	8.7
	FS(M,U)4X30****	†	TDR&TXV	28,600	0.74	11.50	14.00		30,000	3.58	18,000	2.42	8.2
	FSA4X30**A*	†	TDR&TXV	28,400	0.74	11.50	14.00		30,000	3.52	18,000	2.42	8.1
FSA4X36**A*	†	TDR&TXV	29,000	0.74	11.50	14.00		30,000	3.58	18,100	2.44	8.1	
FSM4X36****	†	TDR&TXV	29,400	0.74	12.00	14.00		30,000	3.68	18,300	2.48	8.4	
FVM4X24****	†	TDR&TXV	29,000	0.74	13.00	15.00		29,200	3.72	17,300	2.54	8.5	
FVM4X36****	†	TDR&TXV	29,000	0.74	13.00	15.00		29,000	3.74	17,200	2.56	8.5	
FVM4X48****	†	TDR&TXV	30,000	0.74	13.00	15.00		29,400	3.92	17,300	2.66	8.9	
N4H436AKB N4H436GKB	‡FS(M,U)4X42****	†	TDR&TXV	35,000	0.77	11.50	14.00		36,000	3.64	22,200	2.50	8.2
	ED*4X36B**	*8MPV050	TDR&TXV	33,600	0.77	11.20	13.50		35,600	3.46	21,400	2.44	7.8
	ED*4X36B**	MV08B15**B*	TDR&TXV	34,400	0.77	12.50	15.00		35,200	3.64	21,000	2.56	8.3
	ED*4X36B**	†	TXV	34,000	0.77	11.20		13.50	36,000	3.52	21,600	2.46	7.9
	ED*4X36F**	*8MPV075	TDR&TXV	34,400	0.77	12.00	14.50		35,600	3.62	21,200	2.54	8.2

2009 ENERGY STAR compliance for combinations with all three: SEER 14.50 or higher and EER 12.00 or higher and HSPF 8.2 or higher.

† For coils not listed with a matching furnace or blower, coil rating applies with any indoor blower device.

- continued on next page -

COOLING & HEATING PERFORMANCE FOR COMBINATION RATINGS (continued)

Indoor Models

Outdoor Model	Current Indoor Model (‡ tested combo)	Furnace Model	Factory Installed	Cool 95° F (35° C)			SEER		Heat 47 ° F (8.3° C)		Heat 17 ° F (-8.3° C)		HSPF
				BTU/hr	S / T	EER	factory	with field TDR	BTU/hr	COP	BTU/hr	COP	
N4H436AKB N4H436GKB (continued)	ED*4X36F**	*9MPV050	TDR&TXV	34,000	0.77	11.20	13.50		35,600	3.52	21,400	2.46	7.9
	ED*4X36F**	*9MPV075	TDR&TXV	34,000	0.77	12.00	14.00		35,600	3.56	21,400	2.48	8.1
	ED*4X36F**	*9MVX040	TDR&TXV	34,000	0.77	11.50	13.50		35,600	3.50	21,400	2.46	8.2
	ED*4X36F**	*9MVX060	TDR&TXV	34,200	0.77	11.50	14.00		35,600	3.60	21,400	2.50	8.3
	ED*4X36F**	MV12F19**B*	TDR&TXV	34,600	0.77	12.50	15.00		35,000	3.70	20,800	2.60	8.5
	ED*4X36F**	†	TXV	34,400	0.77	11.20		13.50	36,000	3.58	22,000	2.48	8.0
	ED*4X36J**	*8MPV100	TDR&TXV	35,000	0.77	12.50	15.00		35,800	3.76	21,400	2.60	8.4
	ED*4X36J**	*8MPV125	TDR&TXV	35,000	0.77	12.50	15.00		35,600	3.76	21,200	2.60	8.4
	ED*4X36J**	*9MPV100	TDR&TXV	34,800	0.77	12.50	14.50		35,800	3.72	21,400	2.58	8.3
	ED*4X36J**	*9MVX080	TDR&TXV	34,800	0.77	12.00	14.50		35,800	3.74	21,400	2.58	8.5
	ED*4X36J**	MV16J22**B*	TDR&TXV	34,600	0.77	13.00	15.00		35,000	3.70	20,800	2.60	8.5
	ED*4X36J**	†	TXV	34,400	0.77	11.20		13.50	36,000	3.58	22,000	2.48	8.0
	ED*4X42F**	*9MVX040	TDR&TXV	34,200	0.77	11.50	14.00		35,800	3.56	21,600	2.48	8.2
	ED*4X42F**	*9MVX060	TDR&TXV	34,600	0.77	12.00	14.50		35,800	3.64	21,400	2.52	8.3
	ED*4X42F**	MV12F19**B*	TDR&TXV	34,800	0.77	13.00	15.00		35,200	3.74	20,800	2.62	8.6
	ED*4X42J**	*8MPV100	TDR&TXV	35,200	0.77	12.50	15.00		36,000	3.82	21,400	2.62	8.5
	ED*4X42J**	*8MPV125	TDR&TXV	35,200	0.77	13.00	15.00		35,800	3.82	21,200	2.64	8.5
	ED*4X42J**	*9MPV100	TDR&TXV	35,000	0.77	12.50	14.50		36,000	3.76	21,400	2.60	8.4
	ED*4X42J**	*9MVX080	TDR&TXV	35,200	0.77	12.00	14.50		36,000	3.78	21,600	2.60	8.6
	ED*4X42J**	MV16J22**B*	TDR&TXV	34,800	0.77	13.00	15.00		35,000	3.76	20,800	2.62	8.6
	ED*4X42J**	†	TXV	34,600	0.77	11.20		13.50	36,000	3.62	22,000	2.50	8.1
	ED*4X42L**	*9MPV125	TDR&TXV	35,200	0.77	12.50	15.00		35,800	3.80	21,400	2.62	8.5
	ED*4X42L**	*9MVX100	TDR&TXV	35,000	0.77	12.00	15.00		35,600	3.76	21,200	2.60	8.6
	ED*4X42L**	MV20L24**B*	TDR&TXV	34,800	0.77	13.00	15.00		35,000	3.76	20,800	2.62	8.6
	ED*4X42L**	†	TXV	34,600	0.77	11.20		13.50	36,000	3.62	22,000	2.50	8.1
	EHD4X36A**	*8MPV050	TDR&TXV	34,600	0.77	12.00	14.00		36,000	3.62	21,600	2.50	8.1
	EHD4X36A**	*8MPV075	TDR&TXV	35,200	0.77	12.50	14.50		36,000	3.76	21,400	2.60	8.4
	EHD4X36A**	*8MPV100	TDR&TXV	35,600	0.77	12.50	15.00		36,000	3.86	21,400	2.64	8.6
EHD4X36A**	*8MPV125	TDR&TXV	35,600	0.77	13.00	15.00		36,000	3.86	21,400	2.64	8.6	
EHD4X36A**	*9MPV050	TDR&TXV	34,800	0.77	12.00	14.00		36,000	3.64	21,600	2.52	8.2	

2009 ENERGY STAR compliance for combinations with all three: SEER 14.50 or higher and EER 12.00 or higher and HSPF 8.2 or higher.

† For coils not listed with a matching furnace or blower, coil rating applies with any indoor blower device.

- continued on next page -

COOLING & HEATING PERFORMANCE FOR COMBINATION RATINGS (continued)
Indoor Models

Outdoor Model	Current Indoor Model (‡ tested combo)	Furnace Model	Factory Installed	Cool 95° F (35° C)			SEER		Heat 47 ° F (8.3° C)		Heat 17 ° F (-8.3° C)		HSPF
				BTU/hr	S / T	EER	factory	with field TDR	BTU/hr	COP	BTU/hr	COP	
N4H436AKB N4H436GKB (continued)	EHD4X36A**	*9MPV075	TDR&TXV	34,800	0.77	12.00	14.50		36,000	3.68	21,600	2.54	8.3
	EHD4X36A**	*9MPV100	TDR&TXV	35,400	0.77	12.50	15.00		36,000	3.82	21,600	2.62	8.5
	EHD4X36A**	*9MPV125	TDR&TXV	35,400	0.77	12.50	15.00		36,000	3.84	21,400	2.62	8.5
	EHD4X36A**	*9MVX040	TDR&TXV	34,800	0.77	12.00	14.00		36,000	3.64	21,600	2.52	8.3
	EHD4X36A**	*9MVX060	TDR&TXV	35,000	0.77	12.00	14.50		36,000	3.72	21,600	2.56	8.5
	EHD4X36A**	*9MVX080	TDR&TXV	35,600	0.77	12.50	15.00		36,000	3.84	21,600	2.62	8.7
	EHD4X36A**	*9MVX100	TDR&TXV	35,200	0.77	12.50	15.00		35,800	3.80	21,400	2.62	8.6
	EHD4X36A**	MV08B15**B*	TDR&TXV	35,200	0.77	13.00	15.00		35,400	3.80	21,000	2.62	8.7
	EHD4X36A**	MV12F19**B*	TDR&TXV	35,200	0.77	13.00	15.00		35,400	3.84	21,000	2.66	8.8
	EHD4X36A**	MV16J22**B*	TDR&TXV	35,400	0.77	13.00	15.00		35,400	3.84	21,000	2.66	8.8
	EHD4X36A**	MV20L24**B*	TDR&TXV	35,400	0.77	13.00	15.00		35,400	3.84	21,000	2.66	8.8
	EHD4X36A**	†	TXV	35,200	0.77	11.20		13.50	36,000	3.70	22,200	2.52	8.3
	EHD4X42A**	*8MPV050	TDR&TXV	34,800	0.77	12.00	14.00		36,000	3.66	21,600	2.52	8.2
	EHD4X42A**	*8MPV075	TDR&TXV	35,400	0.77	12.50	15.00		36,000	3.82	21,600	2.62	8.5
	EHD4X42A**	*8MPV100	TDR&TXV	35,800	0.77	13.00	15.00		36,000	3.94	21,600	2.66	8.7
	EHD4X42A**	*8MPV125	TDR&TXV	35,800	0.77	13.00	15.00		36,000	3.94	21,400	2.68	8.7
	EHD4X42A**	*9MPV050	TDR&TXV	35,000	0.77	12.00	14.00		36,000	3.70	21,800	2.54	8.3
	EHD4X42A**	*9MPV075	TDR&TXV	35,200	0.77	12.50	14.50		36,000	3.74	21,600	2.56	8.3
	EHD4X42A**	*9MPV100	TDR&TXV	35,600	0.77	12.50	15.00		36,000	3.88	21,600	2.64	8.6
	EHD4X42A**	*9MPV125	TDR&TXV	35,800	0.77	13.00	15.00		36,000	3.90	21,400	2.66	8.6
	EHD4X42A**	*9MVX040	TDR&TXV	35,000	0.77	12.00	14.00		36,000	3.68	21,600	2.54	8.4
	EHD4X42A**	*9MVX060	TDR&TXV	35,400	0.77	12.00	14.50		36,000	3.78	21,600	2.58	8.6
	EHD4X42A**	*9MVX080	TDR&TXV	35,800	0.77	12.50	15.00		36,000	3.90	21,600	2.64	8.8
	EHD4X42A**	*9MVX100	TDR&TXV	35,600	0.77	12.50	15.00		36,000	3.86	21,400	2.64	8.8
	EHD4X42A**	MV08B15**B*	TDR&TXV	35,400	0.77	13.00	15.00		35,600	3.84	21,000	2.64	8.8
	EHD4X42A**	MV12F19**B*	TDR&TXV	35,600	0.77	13.00	15.00		35,400	3.88	21,000	2.68	9.0
	EHD4X42A**	MV16J22**B*	TDR&TXV	35,600	0.77	13.00	15.00		35,400	3.88	21,000	2.68	9.0
	EHD4X42A**	MV20L24**B*	TDR&TXV	35,600	0.77	13.00	15.00		35,400	3.88	21,000	2.68	9.0
	EHD4X42A**	†	TXV	35,400	0.77	12.00		14.00	36,000	3.76	22,200	2.54	8.4
	EMA4X36D**	†	TXV	34,200	0.77	11.20		13.50	36,000	3.56	22,000	2.46	8.0

2009 ENERGY STAR compliance for combinations with all three: SEER 14.50 or higher and EER 12.00 or higher and HSPF 8.2 or higher.

† For coils not listed with a matching furnace or blower, coil rating applies with any indoor blower device.

- continued on next page -

COOLING & HEATING PERFORMANCE FOR COMBINATION RATINGS (continued)
Indoor Models

Outdoor Model	Current Indoor Model (‡ tested combo)	Furnace Model	Factory Installed	Cool 95° F (35° C)			SEER		Heat 47 ° F (8.3° C)		Heat 17 ° F (-8.3° C)		HSPF
				BTU/hr	S / T	EER	factory	with field TDR	BTU/hr	COP	BTU/hr	COP	
N4H436AKB N4H436GKB (continued)	FEM4X36****	†	TDR&TXV	35,600	0.77	12.50	15.00		36,000	3.84	21,600	2.62	8.6
	FEM4X42****	†	TDR&TXV	35,600	0.77	12.50	15.00		36,000	3.86	21,400	2.64	8.6
	FSA4X36**A*	†	TDR&TXV	34,400	0.77	11.00	13.00		36,000	3.52	22,000	2.44	8.0
	FSM4X36****	†	TDR&TXV	35,000	0.77	11.20	13.50		36,000	3.66	22,000	2.50	8.2
	FSU4X36****	†	TDR&TXV	34,200	0.77	11.20	13.50		36,000	3.54	22,000	2.46	8.0
	FVM4X24****	†	TDR&TXV	34,200	0.77	12.50	14.50		35,400	3.64	21,000	2.54	8.1
	FVM4X36****	†	TDR&TXV	34,600	0.77	13.00	15.00		35,000	3.68	20,800	2.58	8.4
	FVM4X48****	†	TDR&TXV	35,800	0.77	13.00	15.00		35,600	3.90	21,000	2.68	8.9
	FVM4X60****	†	TDR&TXV	36,000	0.77	13.00	15.00		35,600	4.00	21,000	2.74	9.0
N4H442AKB N4H442GKB	‡FS(M,U)4X48****	†	TDR&TXV	42,000	0.76	12.00	14.00		42,000	3.66	27,000	2.56	8.5
	ED*4X42F**	*9MVX060	TDR&TXV	41,000	0.76	11.50	13.50		42,000	3.50	26,200	2.52	8.1
	ED*4X42J**	*8MPV100	TDR&TXV	42,000	0.76	12.50	14.50		42,000	3.64	25,800	2.60	8.3
	ED*4X42J**	*8MPV125	TDR&TXV	42,000	0.76	12.50	15.00		42,000	3.64	25,800	2.60	8.3
	ED*4X42J**	*9MPV100	TDR&TXV	41,500	0.76	12.00	14.50		42,000	3.60	26,000	2.58	8.2
	ED*4X42J**	*9MVX080	TDR&TXV	42,000	0.76	12.00	14.50		42,000	3.62	26,000	2.58	8.3
	ED*4X42J**	MV16J22**B*	TDR&TXV	42,000	0.76	12.50	15.00		41,500	3.64	25,400	2.62	8.5
	ED*4X42J**	†	TXV	41,500	0.76	11.20		13.50	42,000	3.54	26,600	2.52	8.1
	ED*4X42L**	*9MPV125	TDR&TXV	42,000	0.76	12.50	14.50		42,000	3.62	25,800	2.60	8.2
	ED*4X42L**	*9MVX100	TDR&TXV	41,500	0.76	12.00	14.50		42,000	3.60	25,800	2.58	8.3
	ED*4X42L**	MV20L24**B*	TDR&TXV	42,000	0.76	12.50	15.00		41,500	3.66	25,200	2.64	8.5
	ED*4X42L**	†	TXV	41,500	0.76	11.20		13.50	42,000	3.54	26,600	2.52	8.1
	ED*4X48F**	*8MPV075	TDR&TXV	42,000	0.76	12.50	14.50		42,000	3.70	26,400	2.62	8.3
	ED*4X48F**	*9MPV075	TDR&TXV	42,000	0.76	12.00	14.00		42,000	3.62	26,600	2.56	8.2
	ED*4X48F**	*9MVX060	TDR&TXV	42,000	0.76	12.00	14.00		42,000	3.66	26,600	2.58	8.2
	ED*4X48F**	†	TXV	42,000	0.76	12.00		14.00	42,000	3.72	27,000	2.60	8.4
	ED*4X48J**	*8MPV100	TDR&TXV	42,000	0.76	12.50	15.00		42,000	3.76	26,000	2.66	8.5
	ED*4X48J**	*8MPV125	TDR&TXV	42,000	0.76	12.50	15.00		42,000	3.78	26,000	2.66	8.5
	ED*4X48J**	*9MPV100	TDR&TXV	42,000	0.76	12.50	14.50		42,000	3.72	26,200	2.62	8.5
	ED*4X48J**	*9MVX080	TDR&TXV	42,000	0.76	12.00	14.50		42,000	3.74	26,200	2.64	8.3
ED*4X48J**	MV16J22**B*	TDR&TXV	42,000	0.76	13.00	15.00		42,000	3.78	25,600	2.68	8.7	

2009 ENERGY STAR compliance for combinations with all three: SEER 14.50 or higher and EER 12.00 or higher and HSPF 8.2 or higher.

† For coils not listed with a matching furnace or blower, coil rating applies with any indoor blower device.

- continued on next page -

COOLING & HEATING PERFORMANCE FOR COMBINATION RATINGS (continued)
Indoor Models

Outdoor Model	Current Indoor Model (‡ tested combo)	Furnace Model	Factory Installed	Cool 95° F (35° C)			SEER		Heat 47 ° F (8.3° C)		Heat 17 ° F (-8.3° C)		HSPF
				BTU/hr	S / T	EER	factory	with field TDR	BTU/hr	COP	BTU/hr	COP	
N4H442AKB N4H442GKB (continued)	ED*4X48J**	†	TXV	42,000	0.76	12.00		14.00	42,000	3.66	26,800	2.58	8.3
	ED*4X48L**	*9MPV125	TDR&TXV	42,000	0.76	12.50	15.00		42,000	3.74	26,000	2.64	8.5
	ED*4X48L**	*9MVX100	TDR&TXV	42,000	0.76	12.00	15.00		42,000	3.72	26,000	2.64	8.5
	ED*4X48L**	MV20L24**B*	TDR&TXV	42,000	0.76	13.00	15.00		42,000	3.78	25,600	2.68	8.7
	ED*4X48L**	†	TXV	42,000	0.76	12.00		14.00	42,000	3.66	26,800	2.58	8.3
	EHD4X42A**	*8MPV075	TDR&TXV	42,000	0.76	12.50	14.50		42,000	3.68	26,200	2.60	8.3
	EHD4X42A**	*8MPV100	TDR&TXV	42,000	0.76	12.50	15.00		42,000	3.76	26,000	2.64	8.5
	EHD4X42A**	*8MPV125	TDR&TXV	42,000	0.76	13.00	15.00		42,000	3.76	26,000	2.66	8.5
	EHD4X42A**	*9MPV075	TDR&TXV	42,000	0.76	12.00	14.00		42,000	3.58	26,400	2.56	8.1
	EHD4X42A**	*9MPV100	TDR&TXV	42,000	0.76	12.50	15.00		42,000	3.72	26,200	2.62	8.4
	EHD4X42A**	*9MPV125	TDR&TXV	42,000	0.76	12.50	15.00		42,000	3.72	26,000	2.64	8.4
	EHD4X42A**	*9MVX060	TDR&TXV	42,000	0.76	12.00	14.00		42,000	3.62	26,400	2.58	8.2
	EHD4X42A**	*9MVX080	TDR&TXV	42,000	0.76	12.00	14.50		42,000	3.74	26,200	2.62	8.3
	EHD4X42A**	*9MVX100	TDR&TXV	42,000	0.76	12.00	15.00		42,000	3.70	26,000	2.62	8.5
	EHD4X42A**	MV16J22**B*	TDR&TXV	42,000	0.76	13.00	15.00		42,000	3.78	25,600	2.68	8.7
	EHD4X42A**	MV20L24**B*	TDR&TXV	42,000	0.76	13.00	15.00		42,000	3.78	25,600	2.68	8.7
	EHD4X42A**	†	TXV	42,000	0.76	12.00		14.00	42,000	3.68	26,800	2.58	8.3
	EHD4X48A**	*8MPV075	TDR&TXV	42,000	0.76	12.50	14.50		42,000	3.70	26,200	2.62	8.3
	EHD4X48A**	*8MPV100	TDR&TXV	42,000	0.76	13.00	15.00		42,000	3.78	26,000	2.66	8.6
	EHD4X48A**	*8MPV125	TDR&TXV	42,000	0.76	13.00	15.00		42,000	3.78	26,000	2.66	8.6
	EHD4X48A**	*9MPV075	TDR&TXV	42,000	0.76	12.00	14.00		42,000	3.62	26,400	2.56	8.2
	EHD4X48A**	*9MPV100	TDR&TXV	42,000	0.76	12.50	15.00		42,000	3.74	26,200	2.64	8.5
	EHD4X48A**	*9MPV125	TDR&TXV	42,000	0.76	12.50	15.00		42,000	3.74	26,000	2.64	8.5
	EHD4X48A**	*9MVX060	TDR&TXV	42,000	0.76	12.00	14.50		42,000	3.66	26,400	2.58	8.2
	EHD4X48A**	*9MVX080	TDR&TXV	42,000	0.76	12.00	15.00		42,000	3.76	26,400	2.64	8.3
	EHD4X48A**	*9MVX100	TDR&TXV	42,000	0.76	12.00	15.00		42,000	3.72	26,000	2.64	8.5
	EHD4X48A**	MV16J22**B*	TDR&TXV	42,000	0.76	13.00	15.00		42,000	3.80	25,600	2.70	8.8
	EHD4X48A**	MV20L24**B*	TDR&TXV	42,000	0.76	13.00	15.00		42,000	3.80	25,600	2.70	8.8
EHD4X48A**	†	TXV	42,000	0.76	12.00		14.00	42,000	3.70	27,000	2.58	8.4	
EMA4X48D**	†	TXV	42,000	0.76	11.50		14.00	42,000	3.62	26,800	2.56	8.2	

2009 ENERGY STAR compliance for combinations with all three: SEER 14.50 or higher and EER 12.00 or higher and HSPF 8.2 or higher.

† For coils not listed with a matching furnace or blower, coil rating applies with any indoor blower device.

- continued on next page -

COOLING & HEATING PERFORMANCE FOR COMBINATION RATINGS (continued)
Indoor Models

Outdoor Model	Current Indoor Model (‡ tested combo)	Furnace Model	Factory Installed	Cool 95° F (35° C)			SEER		Heat 47 ° F (8.3° C)		Heat 17 ° F (-8.3° C)		HSPF
				BTU/hr	S / T	EER	factory	with field TDR	BTU/hr	COP	BTU/hr	COP	
N4H442AKB N4H442GKB (continued)	FEM4X42****	†	TDR&TXV	42,000	0.76	12.50	15.00		42,000	3.72	26,200	2.62	8.4
	FEM4X48****	†	TDR&TXV	42,000	0.76	13.00	15.00		42,000	3.88	26,200	2.70	8.6
	FS(M,U)4X42****	†	TDR&TXV	42,000	0.76	11.20	13.50		42,000	3.56	26,800	2.52	8.1
	FVM4X36****	†	TDR&TXV	41,500	0.76	12.50	14.50		41,500	3.56	25,400	2.58	8.1
	FVM4X48****	†	TDR&TXV	42,000	0.76	13.00	15.00		42,000	3.78	25,600	2.68	8.7
	FVM4X60****	†	TDR&TXV	42,000	0.76	13.00	15.00		42,000	3.88	25,600	2.74	9.0
N4H448AKB N4H448GKB	‡FS(M,U)4X60****	†	TDR&TXV	48,000	0.76	11.50	14.00		47,000	3.68	30,000	2.54	8.4
	ED*4X48F**	†	TXV	46,500	0.76	11.20		13.50	46,000	3.52	29,200	2.52	8.2
	ED*4X48J**	*8MPV100	TDR&TXV	46,500	0.76	12.00	14.00		45,500	3.58	29,000	2.56	8.2
	ED*4X48J**	*8MPV125	TDR&TXV	46,500	0.76	12.00	14.00		45,500	3.60	28,800	2.56	8.3
	ED*4X48J**	*9MPV100	TDR&TXV	46,000	0.76	11.20	13.50		45,500	3.54	29,000	2.52	8.1
	ED*4X48J**	*9MVX080	TDR&TXV	46,500	0.76	11.50	13.50		46,000	3.54	29,200	2.52	8.1
	ED*4X48J**	MV16J22**B*	TDR&TXV	46,500	0.76	12.00	15.00		45,000	3.62	28,400	2.60	8.3
	ED*4X48J**	†	TXV	46,500	0.76	11.20		13.50	46,500	3.56	29,600	2.52	8.2
	ED*4X48L**	*9MPV125	TDR&TXV	46,500	0.76	12.00	14.00		45,500	3.56	29,000	2.54	8.2
	ED*4X48L**	*9MVX100	TDR&TXV	46,000	0.76	11.50	14.00		45,500	3.54	28,800	2.54	8.1
	ED*4X48L**	MV20L24**B*	TDR&TXV	46,500	0.76	12.00	15.00		45,000	3.64	28,400	2.60	8.4
	ED*4X48L**	†	TXV	46,500	0.76	11.20		13.50	46,500	3.56	29,600	2.52	8.2
	ED*4X60J**	*8MPV100	TDR&TXV	48,000	0.76	12.00	14.50		46,000	3.72	29,000	2.60	8.5
	ED*4X60J**	*8MPV125	TDR&TXV	48,000	0.76	12.50	14.50		46,000	3.72	29,000	2.62	8.5
	ED*4X60J**	*9MPV100	TDR&TXV	47,500	0.76	12.00	14.00		46,000	3.66	29,200	2.58	8.4
	ED*4X60J**	*9MVX080	TDR&TXV	47,500	0.76	11.50	14.00		46,000	3.66	29,200	2.58	8.3
	ED*4X60J**	MV16J22**B*	TDR&TXV	47,500	0.76	12.50	15.00		45,000	3.72	28,400	2.66	8.5
	ED*4X60J**	†	TXV	47,500	0.76	11.20		13.50	46,500	3.66	29,600	2.54	8.4
	ED*4X60L**	*9MPV125	TDR&TXV	47,500	0.76	12.00	14.50		46,000	3.66	29,000	2.58	8.4
	ED*4X60L**	*9MVX100	TDR&TXV	47,500	0.76	12.00	14.50		46,000	3.62	29,000	2.56	8.2
ED*4X60L**	MV20L24**B*	TDR&TXV	47,500	0.76	12.50	15.00		45,000	3.70	28,400	2.64	8.5	
ED*4X60L**	†	TXV	47,500	0.76	11.20		13.50	46,500	3.66	29,600	2.54	8.4	
EHD4X48A**	*8MPV100	TDR&TXV	47,000	0.76	12.00	14.00		46,000	3.62	29,000	2.56	8.3	
EHD4X48A**	*8MPV125	TDR&TXV	47,000	0.76	12.00	14.50		45,500	3.62	28,800	2.58	8.3	

2009 ENERGY STAR compliance for combinations with all three: SEER 14.50 or higher and EER 12.00 or higher and HSPF 8.2 or higher.

† For coils not listed with a matching furnace or blower, coil rating applies with any indoor blower device.

- continued on next page -

COOLING & HEATING PERFORMANCE FOR COMBINATION RATINGS (continued)
Indoor Models

Outdoor Model	Current Indoor Model (‡ tested combo)	Furnace Model	Factory Installed	Cool 95° F (35° C)			SEER		Heat 47 ° F (8.3° C)		Heat 17 ° F (-8.3° C)		HSPF
				BTU/hr	S / T	EER	factory	with field TDR	BTU/hr	COP	BTU/hr	COP	
N4H448AKB N4H448GKB (continued)	EHD4X48A**	*9MPV100	TDR&TXV	46,500	0.76	11.50	14.00		46,000	3.56	29,200	2.54	8.2
	EHD4X48A**	*9MPV125	TDR&TXV	46,500	0.76	12.00	14.00		45,500	3.58	29,000	2.54	8.2
	EHD4X48A**	*9MVX080	TDR&TXV	46,500	0.76	11.50	14.00		46,000	3.58	29,200	2.54	8.1
	EHD4X48A**	*9MVX100	TDR&TXV	46,500	0.76	11.50	14.00		45,500	3.56	29,000	2.54	8.1
	EHD4X48A**	MV16J22**B*	TDR&TXV	47,000	0.76	12.50	15.00		45,000	3.66	28,400	2.62	8.4
	EHD4X48A**	MV20L24**B*	TDR&TXV	47,000	0.76	12.50	15.00		45,000	3.66	28,400	2.62	8.4
	EHD4X48A**	†	TXV	47,000	0.76	11.20		13.50	46,500	3.60	29,600	2.54	8.3
	EHD4X60A**	*8MPV100	TDR&TXV	48,000	0.76	12.00	14.50		46,000	3.72	29,200	2.62	8.5
	EHD4X60A**	*8MPV125	TDR&TXV	48,000	0.76	12.50	14.50		46,000	3.74	29,000	2.62	8.5
	EHD4X60A**	*9MPV100	TDR&TXV	47,500	0.76	12.00	14.00		46,000	3.66	29,200	2.58	8.4
	EHD4X60A**	*9MPV125	TDR&TXV	47,500	0.76	12.00	14.50		46,000	3.68	29,200	2.60	8.4
	EHD4X60A**	*9MVX080	TDR&TXV	47,500	0.76	11.50	14.00		46,000	3.66	29,200	2.58	8.3
	EHD4X60A**	*9MVX100	TDR&TXV	47,500	0.76	12.00	14.50		46,000	3.64	29,000	2.58	8.3
	EHD4X60A**	MV16J22**B*	TDR&TXV	48,000	0.76	12.50	15.00		45,000	3.74	28,400	2.66	8.6
	EHD4X60A**	MV20L24**B*	TDR&TXV	48,000	0.76	12.50	15.00		45,000	3.74	28,400	2.66	8.6
	EHD4X60A**	†	TXV	48,000	0.76	11.50		14.00	46,500	3.66	29,800	2.56	8.4
	EMA4X48D**	†	TXV	45,500	0.76	11.20		13.50	45,500	3.40	29,000	2.46	7.9
	FEM4X48****	†	TDR&TXV	48,000	0.76	12.50	14.50		46,000	3.70	29,000	2.62	8.5
	FEM4X60****	†	TDR&TXV	48,000	0.76	12.50	15.00		46,000	3.90	29,000	2.68	8.8
	FS(M,U)4X48****	†	TDR&TXV	47,000	0.76	11.20	13.50		46,500	3.54	29,800	2.50	8.2
FVM4X48****	†	TDR&TXV	47,500	0.76	12.50	15.00		45,000	3.62	28,400	2.60	8.3	
FVM4X60****	†	TDR&TXV	48,000	0.76	13.00	15.00		45,500	3.76	28,400	2.66	8.6	
N4H460AKB N4H460GKB	‡FS(M,U)4X60****	†	TDR&TXV	57,000	0.75	11.20	13.50		58,000	3.64	36,200	2.56	8.5
	ED*4X60J**	*8MPV100	TDR&TXV	57,000	0.75	11.20	13.50		58,500	3.66	36,200	2.58	8.5
	ED*4X60J**	*8MPV125	TDR&TXV	57,000	0.75	11.20	13.50		58,000	3.68	35,800	2.60	8.6
	ED*4X60J**	*9MPV100	TDR&TXV	56,500	0.75	11.00	13.20		58,500	3.60	36,400	2.54	8.4
	ED*4X60J**	MV16J22**B*	TDR&TXV	57,000	0.75	11.50	14.00		57,000	3.76	35,200	2.66	8.8
	ED*4X60J**	†	TXV	56,500	0.75	11.20		13.50	57,500	3.64	35,800	2.58	8.5
	ED*4X60L**	*9MPV125	TDR&TXV	56,500	0.75	11.00	13.20		58,000	3.60	36,400	2.54	8.4
	ED*4X60L**	MV20L24**B*	TDR&TXV	57,000	0.75	11.50	14.00		57,000	3.74	35,200	2.66	8.8

2009 ENERGY STAR compliance for combinations with all three: SEER 14.50 or higher and EER 12.00 or higher and HSPF 8.2 or higher.

† For coils not listed with a matching furnace or blower, coil rating applies with any indoor blower device.

- continued on next page -

COOLING & HEATING PERFORMANCE FOR COMBINATION RATINGS (continued)
Indoor Models

Outdoor Model	Current Indoor Model (‡ tested combo)	Furnace Model	Factory Installed	Cool 95° F (35° C)			SEER		Heat 47 ° F (8.3° C)		Heat 17 ° F (-8.3° C)		HSPF
				BTU/hr	S / T	EER	factory	with field TDR	BTU/hr	COP	BTU/hr	COP	
N4H460AKB N4H460GKB (continued)	ED*4X60L**	†	TXV	56,500	0.75	11.20		13.50	57,500	3.64	35,800	2.58	8.5
	EHD4X60A**	*8MPV100	TDR&TXV	57,000	0.75	11.20	13.50		58,500	3.70	36,400	2.60	8.6
	EHD4X60A**	*8MPV125	TDR&TXV	57,000	0.75	11.20	13.50		58,000	3.72	36,000	2.62	8.7
	EHD4X60A**	*9MPV100	TDR&TXV	56,500	0.75	11.00	13.20		58,500	3.64	36,600	2.56	8.5
	EHD4X60A**	*9MPV125	TDR&TXV	56,500	0.75	11.20	13.50		58,500	3.66	36,400	2.56	8.5
	EHD4X60A**	MV16J22**B*	TDR&TXV	57,500	0.75	11.50	14.00		57,000	3.80	35,200	2.68	8.8
	EHD4X60A**	MV20L24**B*	TDR&TXV	57,500	0.75	11.50	14.00		57,000	3.80	35,200	2.68	8.9
	EHD4X60A**	†	TXV	56,500	0.75	11.20		13.50	58,000	3.68	36,000	2.58	8.5
	FEM4X60****	†	TDR&TXV	57,500	0.75	11.70	14.50		57,000	3.82	35,200	2.70	8.8
	FVM4X60****	†	TDR&TXV	57,500	0.75	11.70	14.50		57,000	3.80	35,400	2.68	8.8

2009 ENERGY STAR compliance for combinations with all three: SEER 14.50 or higher and EER 12.00 or higher and HSPF 8.2 or higher.

† For coils not listed with a matching furnace or blower, coil rating applies with any indoor blower device.

OUTDOOR UNIT MODEL NUMBER IDENTIFICATION GUIDE (single phase)											
Digit Position:	1	2	3	4	5, 6	7	8	9	10	11	12
Example Part Number:	N	4	H	4	18	A	K	B	2	0	0
H = Heil Mainline		BRANDING									
N = Heil Entry											
2 = R-22		REFRIGERANT									
4 = R-410A											
A = Air Conditioner				TYPE							
H = Heat Pump											
3 = 13 SEER											
4 = 14 SEER		NOMINAL EFFICIENCY									
18 = 18,000 BTUH = 1½ tons											
24 = 24,000 BTUH = 2 tons											
30 = 30,000 BTUH = 2½ tons											
36 = 36,000 BTUH = 3 tons											
42 = 42,000 BTUH = 3½ tons											
48 = 48,000 BTUH = 4 tons											
60 = 60,000 BTUH = 5 tons		NOMINAL CAPACITY									
A = Standard Grille											
G = Coil Guard Grille											
C = Coastal						FEATURES					
K = 208/230-1-60										VOLTAGE	
Sales Code											
Engineering Revision											
Extra Digit											
Extra Digit											

ACCESSORIES PART NUMBER IDENTIFICATION GUIDE									
Digit Position:	1	2	3	4	5	6, 7	8, 9	10, 11	
Example Part Number:	N	A	S	A	0	01	01	CH	
N = Non-Branded		BRANDING							
A = Accessory		PRODUCT GROUP							
S = Split System (AC & HP)				KIT USAGE					
A = Original									
B = 2nd Generation				MAJOR SERIES					
0 = Generic or Not Applicable									
2 = R-22									
4 = R-410A						REFRIGERANT			
Product Identifier Number									
Package Quantity									
Type of Kit (Example: CH = Crankcase Heater)									

