



OIL FURNACES



Comfort-Care®

CLEAN, COMFORTABLE OIL HEAT

FEATURES

- 1** Foil-faced high density fiberglass insulation to minimize noise and heat loss
- 2** Heavy duty 14 gauge steel heat exchanger engineered for efficiency; covered by limited lifetime warranty
- 3** Available in upflow, downflow, horizontal, front or rear flue configurations
- 4** Corrosion-resistant steel cabinet construction with baked enamel finish for durability
- 5** Easy access stainless steel clean-out ports for complete servicing of heat exchanger

Highboy depicted; components representative of other configurations



- 6** State-of-the-art Beckett “AFG” burner with flame retention head, PSC burner motor and solid state ignition for smooth igniting
- 7** High temperature ceramic combustion chamber for quiet, high efficiency combustion
- 8** Multi-speed direct drive blower assembly with slide-out design and handy plug-in wiring (adjustable belt drive on OLRA200-BH)
- 9** Primary with integral fan center
- 10** Honeywell fan/limit for simple operation



Limited Lifetime Warranty
on Heat Exchanger

GeniSys™ Advanced Burner Control

Designed for trouble-free operation, the control has programmable delays for valve on and motor off, and indicator lights to simplify system monitoring and diagnostics. Two communication ports allow the addition of alarm contacts and future wireless communications. Features include technician pump prime mode, limited reset and limited recycle, and welded relay protection.

Quiet, Clean Comfort

A dense, ceramic fiber combustion chamber provides a quiet and efficient operating furnace while foil-faced high density insulation reduces operation sound as well as heat loss. State-of-the-art engineering and top quality components combine to provide clean burning warm air comfort—plus many models come pre-wired to easily add central air conditioning (two to five ton cooling capacities).

Efficiency and Versatility

The Patriot 80 oil furnace is exceptionally efficient and versatile thanks to its powerful heat exchanger that maximizes energy usage to minimize utility costs. Models feature multiple firing rates and capacities ranging from 58,000 to 196,000 BTUH, allowing a wide choice of heating efficiencies.

All models are AFUE rated at 80% or above.

Trouble-Free Maintenance

All components from the welded heat exchanger to the Beckett high efficiency oil burner with flame retention head are built to be reliable. With removable panels and easily accessed clean-out ports, all components are located for simple access and maintenance. In addition, the Patriot 80 features standard components should replacement parts be needed.

BLOWER PERFORMANCE

HIGHBOY

DIRECT DRIVE MODEL	MOTOR HP	BLOWER SIZE	TEMP RISE DEG. F	BLOWER SPEEDS	CFM@ EXT. STATIC PRESSURE - IN W.C.				
					0.2	0.3	0.4	0.5	0.6
OUFB75-D3	1/3	10 x 8	50-80	HIGH	1410**	1355	1300	1220	1155
				MED. HIGH	1260	1215	1170	1120	1060
				MED.	1040	1025	990	960	910
				LOW	885	880	850	830	785
OUFB95-D4	1/2	10 x 10	50-80	HIGH	1755**	1695	1940	1590	1495
				MED. HIGH	1445	1425	1400	1335	1285
				MED.	1190	1180	1145	1110	1055
				LOW	990	980	960	925	880
OUFA125-D5	3/4	12 x 11	45-75	HIGH	2205**	2140	2060	2000	1900
				MED. HIGH	1760	1725	1670	1615	1560
				MED.	1520	1495	1450	1400	1360
				LOW	1365*	1330*	1305*	1250*	1210*

*Not recommended for heating. Temperature range may be outside the acceptable range.

**Rated CFM=CFM @ 0.2 Ext. Static Pressure W.C. at high blower speed.

LOWBOY

DIRECT DRIVE MODEL	MOTOR HP	BLOWER SIZE	TEMP RISE DEG. F	BLOWER SPEEDS	CFM@ EXT. STATIC PRESSURE - IN W.C.				
					0.2	0.3	0.4	0.5	0.6
OLFB95-D4/ OLRB95-D4	1/2	10 x 9	45-75	HIGH	1760**	1670	1600	1550	1410
				MED. HIGH	1605	1515	1460	1395	1305
				MED.	1375	1345	1300	1260	1190
				LOW	1160	1150	1130	1105	1035
OLFA125-D5	3/4	12 x 10	45-75	HIGH	2160**	2080	2010	1970	1850
				MED. HIGH	1850	1810	1745	1670	1580
				MED.	1650	1600	1580	1490	1430
				LOW	1480*	1470*	1445*	1380*	1330*
OLRA125-D5	3/4	12 x 10	45-75	HIGH	2220**	2125	2030	1960	1835
				MED. HIGH	1815	1755	1705	1625	1550
				MED.	1565	1525	1500	1435	1370
				LOW	1360*	1355*	1310*	1260*	1205*
OLRA170-D5	3/4	12 x 10	45-75	HIGH	2245**	2140	2035	1985	1835
				MED. HIGH	1835	1780	1730	1670	1610
				MED.	1620	1590	1540	1490	1435
				LOW	1460*	1435*	1400*	1320*	1280*
BELT DRIVE MODEL				MOTOR PULLEY	MOTOR PULLEY ADJ.	BLOWER PULLEY	BELT SIZE INCHES	CFM @0.2" W.C.	
OLRA200-BH	3/4	12 x 12	65-95	6	CLOSED	3.5"	43	2660	

*Not recommended for heating. Temperature range may be outside the acceptable range.

**Rated CFM=CFM @ 0.2 Ext. Static Pressure W.C. at high blower speed.

DOWNFLOW/HORIZONTAL

DIRECT DRIVE MODEL	MOTOR HP	BLOWER SIZE	TEMP RISE DEG. F	BLOWER SPEEDS	CFM@ EXT. STATIC PRESSURE - IN W.C.				
					0.2	0.3	0.4	0.5	0.6
ODFB95-D4	1/2	10 x 10	45-75	HIGH	1410**	1320	1280	1195	1090
				MED. HIGH	1340	1280	1190	1100	1015
				MED.	1235	1175	1090	1015	920
				LOW	1090	1035	975	900	855
ODRB95-D4	1/2	10 x 10	45-75	HIGH	1485	1400	1305	1210	1105
				MED. HIGH	1380	1305	1220	1150	1035
				MED.	1230	1170	1110	1000	935
				LOW	1055	1020	970	910	835
ODHA125-D5	3/4	12 x 9	45-75	HIGH	2070**	1995	1950	1900	1850
				MED. HIGH	1795	1750	1690	1630	1585
				MED.	1515	1480	1430	1390	1320
				LOW	1355*	1325*	1290*	1235*	1175*

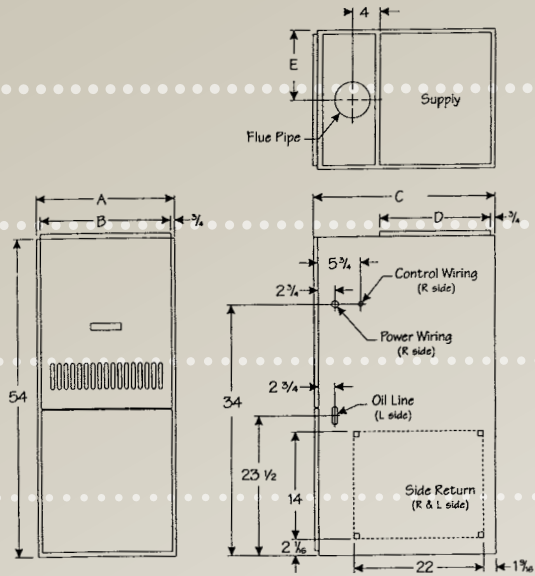
*Not recommended for heating. Temperature range may be outside the acceptable range.

**Rated CFM=CFM @ 0.2 Ext. Static Pressure W.C. at high blower speed.

DIMENSIONS

HIGHBOY (in.)

DIMENSIONS	A	B	C	D	E
OUIB75/95	19 1/2	18	30 5/8	19 5/8	9 3/4
OUIA125	22 1/2	21	33 1/8	22 1/8	11 1/4
CLEARANCES	FRONT		SIDE		REAR
All upflow models	4		0		0
	ABOVE		FLUE		FLOOR
	2		6		Combustible



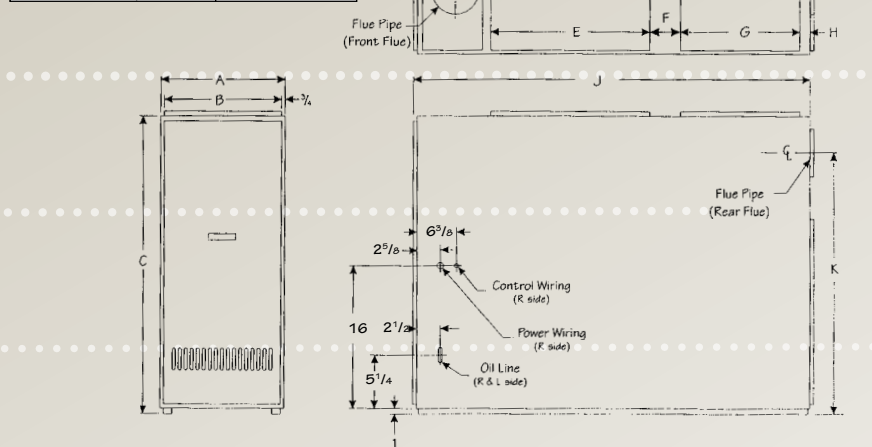
LOWBOY (in.)

DIMENSIONS	A	B	C	D	E	F	G	H	J	K*
OLBA95	19 1/2	18	37	9 3/4	21	3 1/4	16	1 1/2	52	N/A
OLRB95	19 1/2	18	37	N/A	21	3 1/4	16	1 1/2	52	27 5/8
OLFA125/OLRA125	22 1/2	21	37	11 1/4	21	3 1/4	16	1 1/2	52 1/8	27 5/8
OLRA170	24	22 1/2	39	12	23 1/8	2 1/4	18	1	54 3/4	29
OLRA200	26	24 1/2	42	N/A	24 3/8	2 1/2	23	1	60 1/2	32

* Rear flue models only.

CLEARANCE TO COMBUSTIBLES (in.)

FRONT	4	ABOVE	2"
SIDES	6	FLUE	9"
REAR	24	FLOOR	COMBUSTIBLE

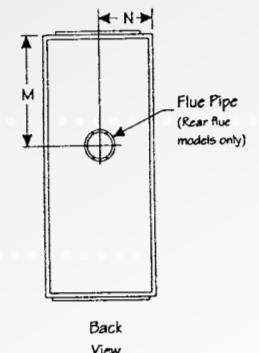
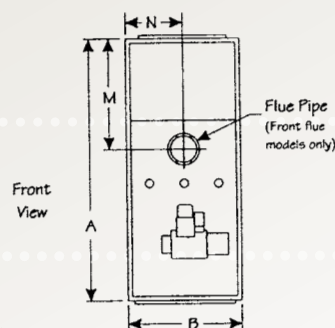
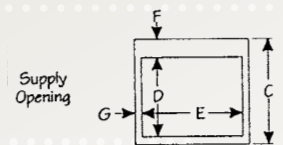
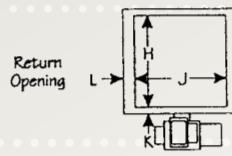
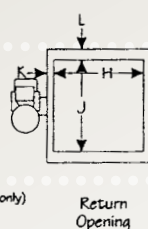
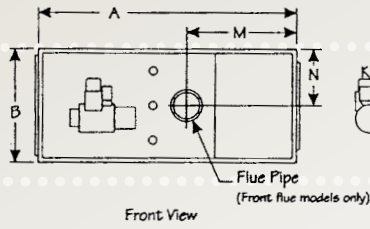
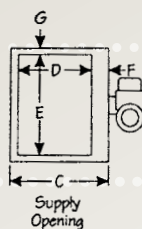
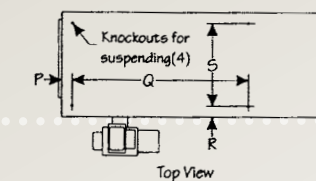
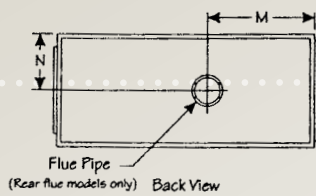


DOWNFLOW/HORIZONTAL

DIMENSIONS	A	B	C	D	E	F	G	H	J	K	L	M	N	P	Q	R	S
ODFB95/ODRB95	59	20 1/2	20 1/2	18 1/4	18 1/4	1 1/4	1 1/4	18	18	1 1/4	1 1/4	32 1/2	10 1/4	3	41 1/2	3	14 1/2
ODHA125	59	23 1/2	23 1/2	21 1/4	21 1/4	1 1/4	1 1/4	21	21	1 1/4	1 1/4	32 1/2	11 3/8	3	41 1/2	3	17 1/2

CLEARANCES (in.)

HORIZONTAL POSITION	FRONT	ABOVE	REAR	FLUE	BOTTOM	SIDE
ODFB95/ODFA125	24	1	1	7	1	N/A
ODRB95	24	1	24	7	1	N/A
DOWNFLOW POSITION	FRONT	ABOVE	REAR	FLUE	SIDES	FLOOR
ODFB95/ODRB95	16	0	1	7	1	Non-Combustible
ODFA125						



SPECIFICATIONS

HIGHBOY

MODEL	NOZZLE SIZE	INPUT BTUH	OUTPUT BTUH	AFUE	NOM. CAP. COOLING	FLUE DIA. (IN.)	FILTER SIZE	VOLTS/HZ/ PHASE	MAX. TIME DELAY BREAKER OR FUSE	TRANS. VA.	SHIPPING WEIGHT LBS.
OUFB75-D3	.50GPH-80°A	67,500	57,000	84	2.0-3.0	6	16 x 25	120/60/1	15 amp	40	230
	.65GPH-80°B	85,500	72,000	84							
OUFB95-D4	.65GPH-80°B	101,000	84,000	83	2.5-4.0	6	16 x 25	120/60/1	15 amp	40	250
	.75GPH-80°B	113,500	95,000	83							
OUFA125-D5	.85GPH-80°B	140,000	113,000	81	3.0-5.0	6	16 x 25*	120/60/1	15 amp	40	275
	1.00GPH-80°B	154,000	125,000	81							

*-Requires return air to be brought in on both sides above 1600 cfm.

LOWBOY

MODEL	NOZZLE SIZE	INPUT BTUH	OUTPUT BTUH	AFUE	NOM. CAP. COOLING	FLUE DIA. (IN.)	FILTER SIZE	VOLTS/HZ/ PHASE	MAX. TIME DELAY BREAKER OR FUSE	TRANS. VA.	SHIPPING WEIGHT LBS.
OLFB95-D4/	.65GPH-80°B	101,000	85,000	83	2.5-4.0	6	18 x 19	120/60/1	15 amp	40	225
OLRB95-D4	.75GPH-80°B	113,500	95,000	83							230
OLFA125-D5/	.85GPH-80°B	140,000	113,000	81	3.0-5.0	6	19 x 21	120/60/1	15 amp	40	285
OLRA125-D5	1.00GPH-80°B	154,000	125,000	81							
OLRA170-D5	1.10GPH-80°B	175,000	140,000	80	3.5-5.0	6	20 ¹ / ₈ x 22 ⁷ / ₁₆	120/60/1	15 amp	40	295
	1.25GPH-80°B	210,000	168,000	80							
OLRA200-BH	1.50GPH-80°B	245,000	196,000	80	5.0-6.0	8	24 ⁵ / ₈ x 24 ³ / ₈	120/60/1	20 amp	12*	390

*-12VA Heating only, additional transformer required for cooling.

DOWNFLOW/HORIZONTAL

MODEL	NOZZLE SIZE	INPUT BTUH	OUTPUT BTUH	AFUE	NOM. CAP. COOLING	FLUE DIA. (IN.)	VOLTS/HZ/ PHASE	MAX. TIME DELAY BREAKER OR FUSE	TRANS. VA.	SHIPPING WEIGHT LBS.
ODFB95-D3	.65GPH-80°B	101,000	85,000	83	2.0-3.0	6	120/60/1	15 amp	40	250
ODRB95-D3	.75GPH-80°B	113,500	95,000	83						
ODHA125-D5	.85GPH-80°B	140,000	113,000	81	3.0-5.0	6	120/60/1	15 amp	40	265
	1.00GPH-80°B	154,000	125,000	81						

*-Approved for horizontal installations only.

NOTE: All units shipped with lower capacity nozzle installed.

Accessories

Thermostat, Digital Heat/
Cool deluxe 7800-200 (all models)

Downflow/Horizontal

Combustible floor bases used on
ODHA95-D3 - 7605-100
ODHA125-D5 - 7605-101

Filters

ODHA95-D3 -7605-102
ODHA125-D5 - 7605-103

Clean Out Kit

7605-104 (all models)

PATRIOT 80

by HEAT CONTROLLER, INC.

OIL FURNACES



The compact Patriot 80 comes in a variety of configurations to fit virtually anywhere, including utility rooms, alcoves, closets, crawl spaces and attics. In addition to upflow, downflow/horizontal, rear flue and front flue versions, models are available in heat only or A/C ready combinations.



In selecting a furnace, oversizing is not recommended—the closer the heating output is matched to the heat loss of the residence, the more comfortable the homeowner will be while saving on fuel usage. With the Patriot 80, the model can be easily matched to the desired heating requirements: units are built with multiple firing rates and a simple nozzle change adjusts the firing rate to the heating requirement.



All Patriot 80 Oil Furnaces are covered by a limited Lifetime Warranty on the heat exchanger and a 5 Year Warranty on other parts. Some limitations apply, see printed warranty on web site for details.

Specifications and performance data subject to change without notice.

HEAT CONTROLLER, INC.

1900 WELLWORTH AVE, JACKSON MI 49203

The Quality Leader in Conditioning Air
visit us at www.comfort-aire.com

