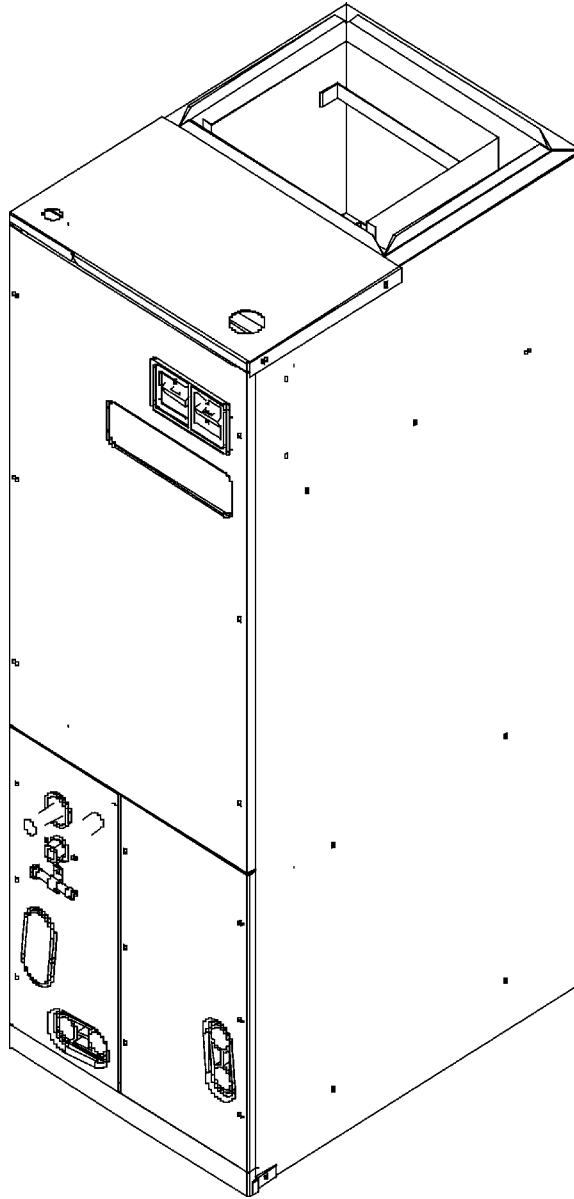


REPAIR PARTS

ASPF Aluminum Coil Air Handlers

ASPF183016CA
ASPF183016DA
ASPF183016EA
ASPF313716CA
ASPF313716DA
ASPF313716EA
ASPF426016CA
ASPF426016DA
ASPF426016EA



This manual is to be used by qualified technicians only.

This manual replaces RP-634A.

© 2010,2012 Goodman Manufacturing Company, L.P. ♦ 5151 San Felipe, Suite 500 ♦ Houston, TX 77056

Important Information

Index

Functional Parts List	3
Illustration and Parts	4 - 7

Views shown are for parts illustrations only, not servicing procedures.

Rev B: addition of ASPF183016DA, ASPF313716DA & ASPF426016DA

Text Codes:

AR - As Required

NA - Not Available

NS - Not Shown

00000000 - See Note

QTY - Quantity Example (QTY 3) (If Quantity not shown, Quantity = 1)

M - Model Example (M1) (If M Code not shown, then part is used on all Models)

Expanded Model Nomenclature:

Example
M1 - Model#1
M2 - Model#2
M3 - Model#3

Goodman Manufacturing Company, L.P. is not responsible for personal injury or property damage resulting from improper service. Review all service information before beginning repairs.

Warranty service must be performed by an authorized technician, using authorized factory parts. If service is required after the warranty expires, Goodman Manufacturing Company, L.P. also recommends contacting an authorized technician and using authorized factory parts.

Goodman Manufacturing Company, L.P. reserves the right to discontinue, or change at any time, specifications or designs without notice or without incurring obligations.

For assistance within the U.S.A. contact:
Consumer Affairs Department
Goodman Manufacturing Company, L.P.
7401 Security Way
Houston, Texas 77040
877-254-4729-Telephone
713-863-2382-Facsimile

For assistance outside the U.S.A. contact:
International Division
Goodman Manufacturing Company, L.P.
7401 Security Way
Houston, Texas 77040
713-861-2500-Telephone
713-863-2382-Facsimile

Functional Parts

Part

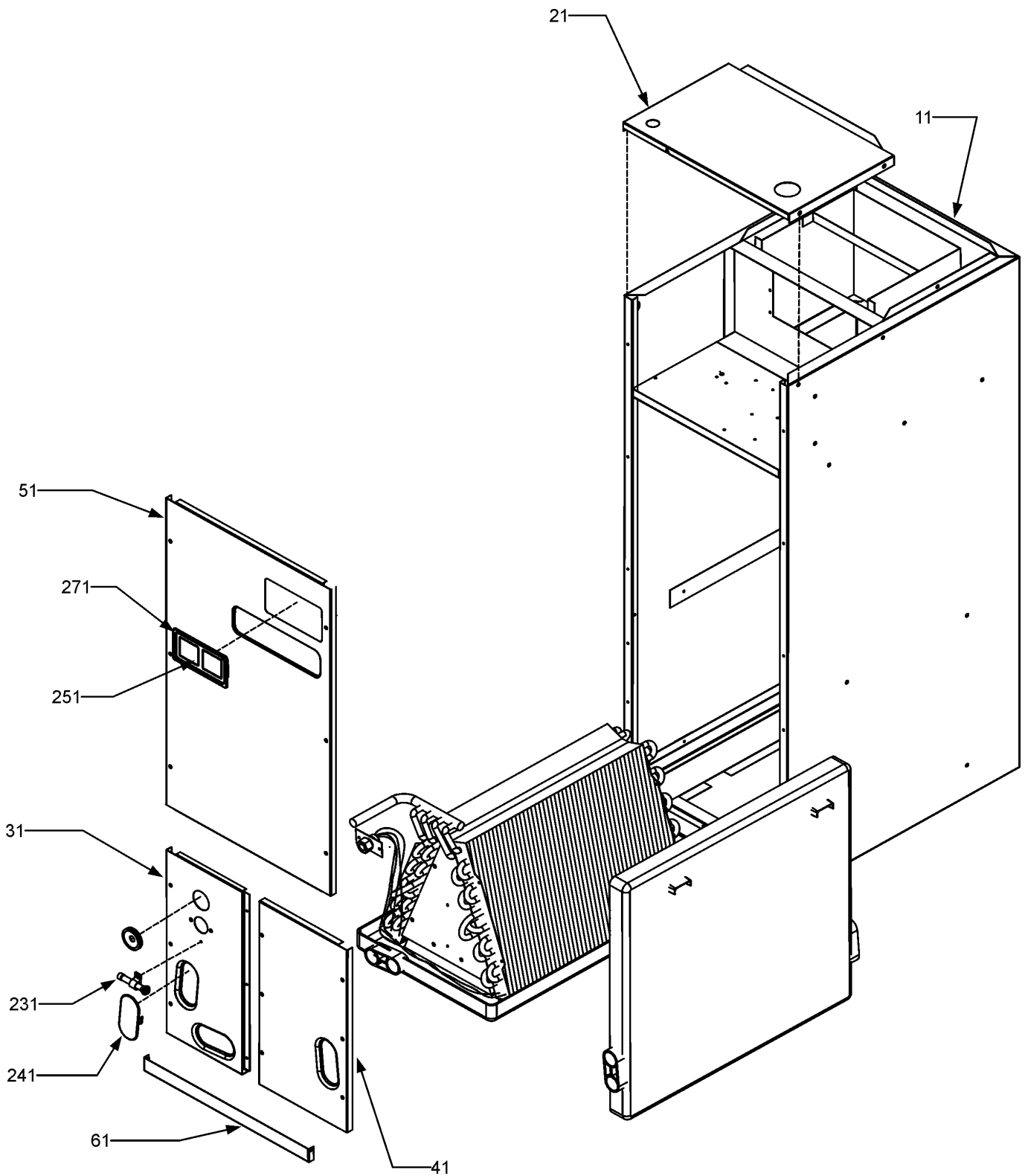
No: Description:

B1368048	BLOWER WHEEL 10 X 10 (M4, M5, M6)
B1368000	BLOWER WHEEL 11 X 10 (M7, M8, M9)
B1368037	BLOWER WHEEL 9 X 8 (M1, M2, M3)
0162D00005P	FLOWRATOR .065 (M2)
0162D00032	FLOWRATOR .074 (M5)
0162D00007P	FLOWRATOR .093 (M8)
0162A00060	FLOWRATOR W/BRACKET, ALUM (M1, M3)
0162A00051	FLOWRATOR W/BRACKET, ALUMINUM (M7, M9)
0162A00050	FLOWRATOR W/BRACKET, ALUMINUM (M4, M6)
B1370752	HEAT RELAY 208-230, 460, 575
0131M00383	MOTOR - 3/4 HP PROGRAMMED SELE (M5, M6)
0131M00382	MOTOR - 3/4 HP PROGRAMMED SELE (M8, M9)
0131M00387	MOTOR, 1/2HP,SELECTECH PROGRAM (M2, M3)
0131M00105	MOTOR-1/2 HP PROGRAMMED X-13 (M1)
0131M00107	MOTOR-3/4 HP PROGRAMMED X-13 (M4)
0131M00109	MOTOR-3/4 HP PROGRAMMED X-13 (M7)
B1141643	TRANSFORMER 208/230, 24V

Expanded Model Nomenclature

M1 - ASPF183016CA
M2 - ASPF183016DA
M3 - ASPF183016EA
M4 - ASPF313716CA
M5 - ASPF313716DA
M6 - ASPF313716EA
M7 - ASPF426016CA
M8 - ASPF426016DA
M9 - ASPF426016EA

Cabinet



Cabinet

Ref. Part No:	Part No:	Description:	Ref. Part No:	Part No:	Description:
---------------	----------	--------------	---------------	----------	--------------

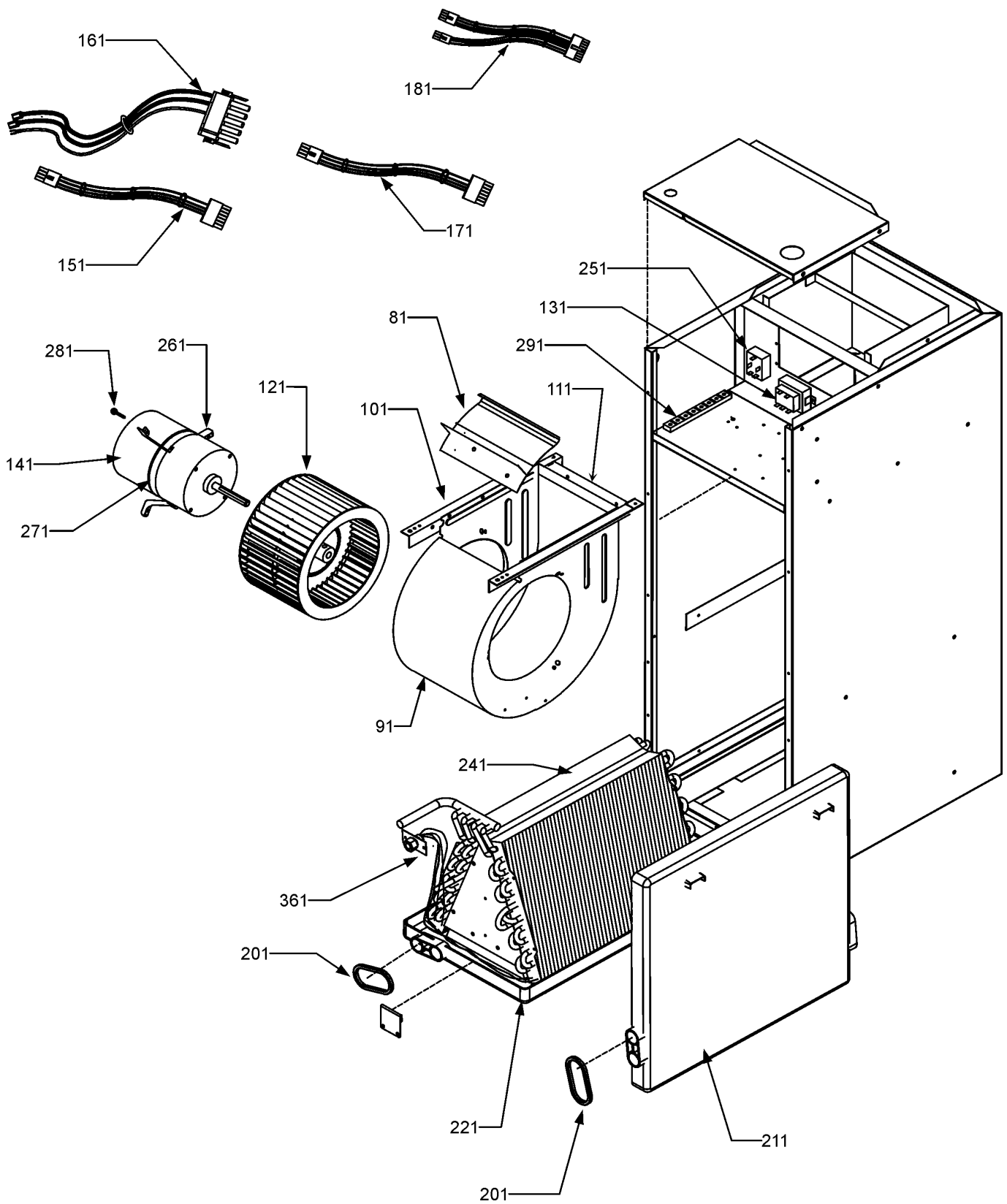
Image 1:

11	1721122PDG	WRAPPER (M1, M2, M3)
11	1721123PDG	WRAPPER (M4, M5, M6, M7, M8, M9)
21	0121A00114PDG	PLATE, UPPER TIE (M1, M2, M3)
21	0121A00115PDG	PLATE, UPPER TIE (M4, M5, M6, M7, M8, M9)
31	1722077PDG	LOWER ACCESS PANEL (M1, M2, M3)
31	1722078PDG	LOWER ACCESS PANEL (M4, M5, M6, M7, M8, M9)
41	1722080PDG	LOWER SERVICE PANEL (M1, M2, M3)
41	1722081PDG	LOWER SERVICE PANEL (M4, M5, M6, M7, M8, M9)
51	1722083PDG	UPPER ACCESS PANEL (M1, M2, M3)
51	1722084PDG	UPPER ACCESS PANEL (M4, M5, M6, M7, M8, M9)
61	1722087PDG	FILTER COVER LRG (M4, M5, M6, M7, M8, M9)
61	1722086PDG	FILTER COVER MED (M1, M2, M3)
231	BT1369063	90 DEGREE STUB (M1, M3, M4, M6, M7, M9)
241	B1392640	PLASTIC DRAIN COVER (QTY 2)
251	B1392641	PLASTIC CIRCUIT BREAKER INSERT
271	B13926122	CIRCUIT BREAKER INSERT GASKET
NS	1721918	BOTTOM TIE LRG (M4, M5, M6, M7, M8, M9)
NS	1721917	BOTTOM TIE MED (M1, M2, M3)

Expanded Model Nomenclature

M1 - ASPF183016CA
M2 - ASPF183016DA
M3 - ASPF183016EA
M4 - ASPF313716CA
M5 - ASPF313716DA
M6 - ASPF313716EA
M7 - ASPF426016CA
M8 - ASPF426016DA
M9 - ASPF426016EA

Internal Components



Internal Components

Ref. Part No:	Ref. Part No:	Description:	Description:
<i>Image 1:</i>		<i>Image 1:</i>	
81	764734F	BLOWER CUT-OFF (M1, M2, M3)	361 0162D00007P FLOWRATOR .093 (M8)
81	0121A00020	BLOWER CUT-OFF 11 X 10 (M7, M8, M9)	361 0162A000060 FLOWRATOR W/BRACKET, ALUM (M1, M3)
81	0121A00021	BLOWER CUT-OFF 11 X 10 (M4, M5, M6)	361 0162A000050 FLOWRATOR W/BRACKET, ALUMINUM (M4, M6)
91	0270A00132	BLOWER HOUSING ASSY (M4, M5, M6)	361 0162A000051 FLOWRATOR W/BRACKET, ALUMINUM (M7, M9)
91	0270A00133	BLOWER HOUSING ASSY 11 X 10 (M7, M8, M9)	NS 0163M00175 CAP WITH O-RING
91	1439392	BLOWER HOUSING ASSY 9 X 8 (M1, M2, M3)	NS 0130A00004 FUSE HOLDER
101	0121A00027	BLOWER MOUNTING ANGLE (QTY 2)	NS B1393800 LOCKNUT, NYLON, INSERT 1/4, 20
111	1717109	BLOWER MOUNTING ANGLE	NS B1393323 MACHINE SCREW HWH 1/4-20 X 1-1/2 BZ
121	B1368048	BLOWER WHEEL 10 X 10 (M4, M5, M6)	NS BT1787000 VALVE CORE
121	B1368000	BLOWER WHEEL 11 X 10 (M7, M8, M9)	
121	B1368037	BLOWER WHEEL 9 X 8 (M1, M2, M3)	
131	B1141643	TRANSFORMER 208/230, 24V	
141	0131M00382	MOTOR - 3/4 HP PROGRAMMED SELE (M8, M9)	
141	0131M00383	MOTOR - 3/4 HP PROGRAMMED SELE (M5, M6)	
141	0131M00387	MOTOR, 1/2HP, SELECTECH PROGRAM (M2, M3)	
141	0131M00105	MOTOR-1/2 HP PROGRAMMED X-13 (M1)	
141	0131M00107	MOTOR-3/4 HP PROGRAMMED X-13 (M4)	
141	0131M00109	MOTOR-3/4 HP PROGRAMMED X-13 (M7)	
151	0259A00002P	WIRE ASSY, 9-PIN MALE CONNECTOR	
161	0130M00022	X-13 POWER HARNESS	
171	0259A00006	WIRE ASSY, 9 PIN FEMALE CONN.	
181	0130M00021	WIRE HARNESS, X-13 LOW VOLTAGE	
201	0154A00000BL	DRAIN PAN GASKET (QTY 2)	
211	B1756022L	PLASTIC DRAIN PAN (HORIZONTAL) (M1, M2, M3)	
211	B1756028L	PLASTIC DRAIN PAN (HORIZONTAL) (M4, M5, M6, M7, M8, M9)	
221	B1756017L	PLASTIC DRAIN PAN (VERTICAL) (M1, M2, M3)	
221	B1756020L	PLASTIC DRAIN PAN (VERTICAL) (M4, M5, M6, M7, M8, M9)	
241	0270A00414	ASSY, COIL TUBING (M7, M9)	
241	0270A00419	ASSY, COIL TUBING (M1, M3)	
241	0270A00428	ASSY, COIL TUBING (M4, M6)	
241	0270A00335	COIL PAN ASSY (M5)	
241	1262403	COIL PAN ASSY (M2)	
241	1262405	COIL PAN ASSY (M8)	
251	B1370752	HEAT RELAY 208-230, 460, 575	
261	0163A00008	MOTOR MOUNT ARM (M7, M8, M9)	
261	B1376853	MOTOR MOUNT ARM (M5, M6)	
261	B1376861	MOTOR MOUNT ARM (M1, M2, M3)	
271	0121M00038	MOTOR MOUNT BAND (M1, M2, M3, M4, M5, M6)	
271	0121M00039	MOTOR MOUNT BAND (HEAVY DUTY) (M7, M8, M9)	
281	B1393322	MACHINE SCREW HWH 1/4-20 X 1-1/2 BZ (QTY 3)	
291	0130M00020	TERMINAL BOARD	
361	0162D00005P	FLOWRATOR .065 (M2)	
361	0162D00032	FLOWRATOR .074 (M5)	

Expanded Model Nomenclature

- M1 - ASPF183016CA
- M2 - ASPF183016DA
- M3 - ASPF183016EA
- M4 - ASPF313716CA
- M5 - ASPF313716DA
- M6 - ASPF313716EA
- M7 - ASPF426016CA
- M8 - ASPF426016DA
- M9 - ASPF426016EA