



80LJ

Parts List
Gas Furnace
Downflow

Model Designation L, Sizes 05-15



First Production Date February 2001

Supersedes Form Number 92-21619-73-01

Revision Date March 23, 2001 PS

Form Number 92-21619-73-02

CATALOG TAB - GAS FURNACE DOWNFLOW

TABLE OF CONTENTS

Notes	Page 2
Model Number Explanation	Page 3
Serial Number Explanation	Page 3
Exploded View	Page 4
Panels & Sheet Metal Parts	Page 5
Electric Group	Page 5
Blower Group	Page 5
Heat Exchanger	Page 6
Burner/Manifold	Page 6
Gas Control Group - EB-EC-EZ	Page 6
LP/Propane Conversion Kits	Page 6
Miscellaneous	Page 7

ORDERING, STOCKING AND NOTE EXPLANATIONS

Ordering Instructions:

When ordering a replacement part, be sure to read all notes and symbol notations on the parts list. In some cases, it is necessary to determine the unit style number and/or serial number in addition to the model number before selecting a replacement part. When ordering painted cabinet parts, the order **must specify** unit model number, serial number, and paint color. Also, your order can be processed more rapidly if you show the part number and description. Once the product is out of current production, price and availability will vary.

Replacement Parts Stocking Information:

As a general rule, most parts are in stock or have a short order period as long as the product is in current production. Once the product is out of current production, price and availability will vary.

Note Explanation:

<i>np</i>	This part is not shown in exploded view. [no picture]
<i>cr</i>	This original part number has been cross-referenced to an equal, or better than replacement, part number.
<i>dna</i>	Does not apply
<i>fi</i>	Field Installed Accessory
<i>nw</i>	This part was new when the product was introduced.
<i>stk</i>	This part should be stocked .
<i>()</i>	Order quantity
<i>lp</i>	These parts are to be used only as repair parts for units which have been converted to LP (Propane) gas by the appropriate conversions kit.

MODEL NUMBER EXPLANATION

<u>8</u>	<u>0</u>	<u>L</u>	<u>J</u>	<u>0</u>	<u>5</u>	<u>E</u>	<u>A</u>	<u>R</u>	<u>0</u>	<u>1</u>
1	2	3	4	5	6	7	8	9	10	11

Position

1,2	EFFICIENCY 80 = 80+	7	IGNITION E = ELECTRIC IGNITION N = ELECTRIC IGNITION NOx
3	MODEL	8	BLOWER/ CABINET/ HORSEPOWER A = STD CAB/ 11x6 BLWR/ 1/2 HP PSC B = STD CAB/ 11x7 BLWR/ 1/2 HP PSC C = WIDE CAB/ 11x10 BLWR/ 1/2 HP PSC D = STD CAB/ 11x10 BLWR/ 3/4 HP PSC
4	DESIGN SERIES	9	FUEL CODE R =80+ NATURAL GAS
5,6	HEATING INPUT 05 = 50,000 BTU/HR 07 = 75,000 BTU/HR 10 = 100,000 BTU/HR 12 = 125,000 BTU/HR 15 = 150,000 BTU/HR	10,11	TRADENAME 01 = WEATHERKING

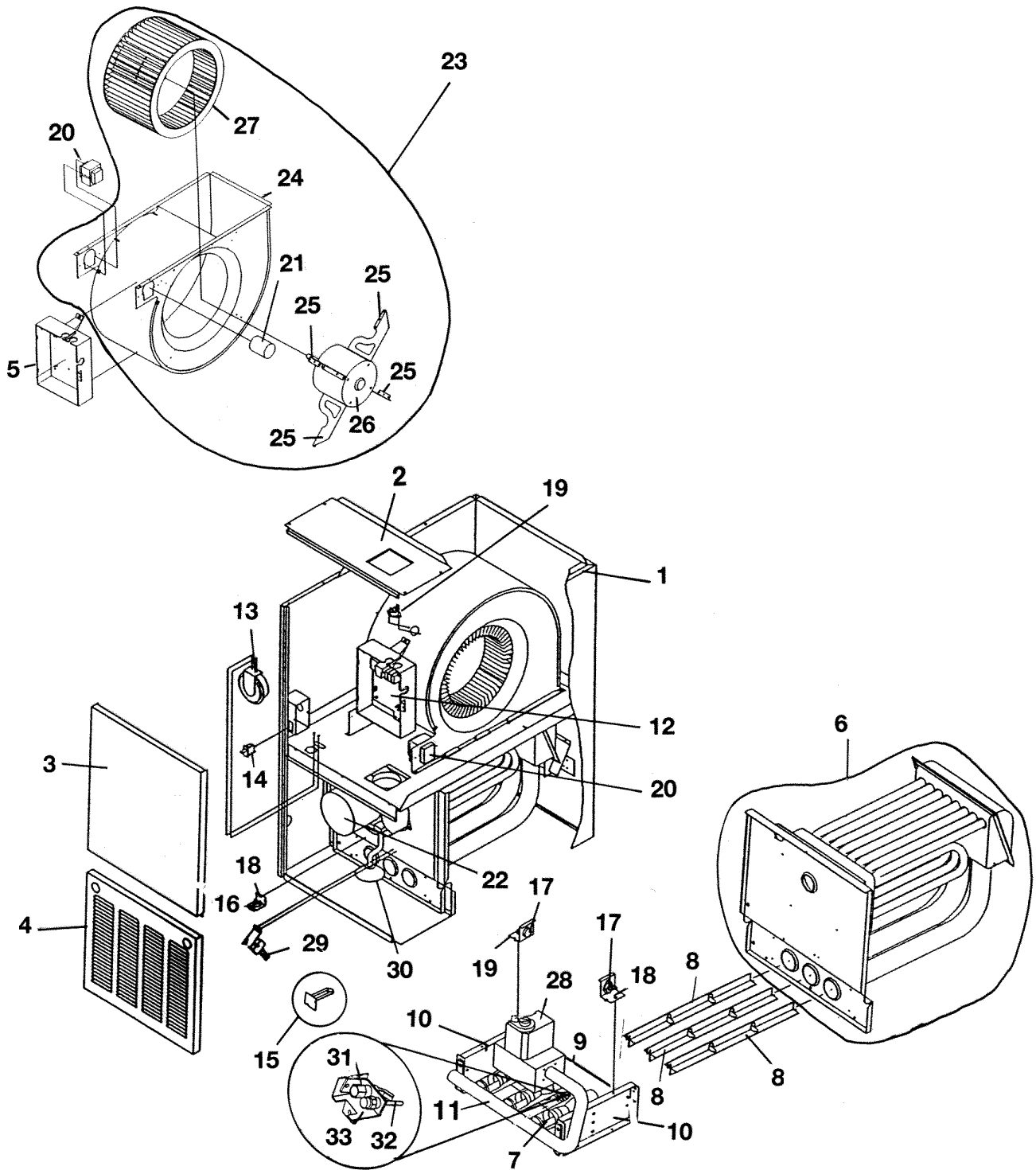
SERIAL NUMBER EXPLANATION

<u>EB</u>	<u>5</u>	<u>D</u>	<u>7</u>	<u>0</u>	<u>7</u>	<u>F</u>	<u>07</u>	<u>01</u>	<u>0</u>	<u>0</u>	<u>0</u>	<u>0</u>	<u>1</u>
1	2	3	4	5	6	7	8	9	10	11	12	13	14

Position

1	TYPE OF CONTROL USED ON UNIT (GAS CONTROL CODE) EB = HONEYWELL 8205H W/UTEC 1012-925 EC = WHITE RODGERS 36E37-214/UTEC 1012-925 EZ = ROBERTSHAW RS2000DERHC-57A / UTEC 1012-925
2	LIMIT CONTROL 1 = WATSCO LIMIT CONTROL 5 = T.O.D. LIMIT CONTROL
3	BLOWER D = DIRECT DRIVE
4	HEATING ELEMENT 7 = STAINLESS STEEL
5	SPECIAL AREA REQUIREMENTS 0 = NO AREA REQUIREMENT
6	MOTOR HORSEPOWER 2 = 1/2 HP MOTOR 7 = 3/4 HP MOTOR
7	PLANT F = FORT SMITH, AR
8	WEEK
9	YEAR
10,11,12,13,14	PRODUCTION NUMBER Starts with 00001 and runs through 99999, then rolls back to 00001

EXPLODED VIEW



NO.	EFFICIENCY MODEL VOLTAGE HEATING INPUT BLOWER/CABINET/CFM	NOTE	80	80	80	80	80
			L	L	L	L	L
			J	J	J	J	J
			05	07	10	12	15
			A	B	C	D	D

Order Quantity is in ()

PANELS & SHEET METAL PARTS							
----------------------------	--	--	--	--	--	--	--

1	Jacket (Textured Galvanized)		AS-66991-27	AS-66991-28	AS-66991-29	AS-66991-30	AS-66991-30
2	Top Plate (Textured Galvanized)		AE-66981-05	AE-66981-06	AE-66981-07	AE-66981-08	AE-66981-08
3	Blower/ Filter Door - Gray		AE-61679-05	AE-61680-05	AE-61681-05	AE-61682-05	AE-61682-05
4	Burner Compartment Door - Gray w/o Plug Buttons		AE-61675-05	AE-61676-05	AE-61677-05	AE-61678-05	AE-61678-05
np	Plug Buttons (2)		45-22980-01	45-22980-01	45-22980-01	45-22980-01	45-22980-01
5	Control Mounting Plate		AE-67877-01	AE-67877-01	AE-67877-01	AE-67877-01	AE-67877-01

ELECTRIC GROUP							
----------------	--	--	--	--	--	--	--

12	Control Boards - INTEGRATED FURNACE CONTROL - Serial Number Gas Control Code: EB, EC, EZ (UTEK 1012-925)	stk	62-24268-01	62-24268-01	62-24268-01	62-24268-01	62-24268-01
13	Pressure Switch	cr	42-24064-01	42-24064-01	42-24064-01	42-24355-02	42-24355-02
14	Door Switch - Push Button	stk	42-22692-01	42-22692-01	42-22692-01	42-22692-01	42-22692-01
15	Main Limit - Includes gasket	stk	47-25349-07	47-25349-05	47-25349-07	47-25349-05	47-25349-05
16	Overtemp. Switch - Manual Reset Limit (On Center Panel)	stk	47-22861-01	47-22861-01	47-22861-01	47-22861-01	47-22861-01
17	Heat Assisted Limit Control - Automatic Reset Limit (on Blower Housing)	stk	47-22860-01	47-22860-01	47-22860-01	47-22860-03	47-22860-04
18	Transformer with Fuse:	cr	46-22863-04	46-22863-04	46-22863-04	46-22863-04	46-22863-04
	Long Fuse-about 1 1/4" in length	stk	46-22863-84	46-22863-84	46-22863-84	46-22863-84	46-22863-84
19	Blower Motor Capacitor		See Blower Group for Blower Motor Capacitor				
20	Induced Draft Blower Motor - with Gasket	stk	70-24157-03	70-24157-03	70-24157-03	70-24157-03	70-24157-03
np	Induced Draft Blower Motor Gasket (For Replacement)		68-24016-01	68-24016-01	68-24016-01	68-24016-01	68-24016-01

BLOWER GROUP							
--------------	--	--	--	--	--	--	--

21	Blower Assembly - Includes:		AS-61697-08	AS-61697-64	AS-61697-65	AS-61697-73	AS-61697-73
22	Housing		AS-61674-04	AS-61674-05	AS-61674-06	AS-61674-06	AS-61674-06
23	Motor Mounting Kit (Includes 4 legs)		AE-61698-82	AE-61698-82	AE-61698-82	AE-61698-82	AE-61698-82
24	Motor						
	1/2 HP, 115 Volt, 4 Speed	cr	51-23012-41	dna	dna	dna	dna
	1/2 HP, 115 Volt, 3 Speed	stk	dna	51-24272-01	51-24272-01	dna	dna
	3/4 HP, 115Volt, 3 Speed	stk	dna	dna	dna	51-25327-01	51-25327-01
25	Wheel - CW, 1/2" Bore	stk	70-22683-01 11 x 6	70-23111-05 11 x 7	70-20602-01 11 x 10	70-20602-01 11 x 10	70-20602-01 11 x 10
19	Motor Capacitor - Round	stk	43-21298-42 7.5/270 MFD/Volt	43-21298-45 15/370 MFD/Volt	43-21298-45 15/370 MFD/Volt	43-21298-45 15/370 MFD/Volt	43-21298-45 15/370 MFD/Volt

NO.	EFFICIENCY MODEL VOLTAGE HEATING INPUT	NOTE	80	80	80	80	80
			L	L	L	L	L
			J	J	J	J	J
			05	07	10	12	15

Order Quantity is in ()

HEAT EXCHANGER

6	Heat Exchanger						
	Ignition-E		AS-66997-11	AS-66997-02	AS-66997-04	AS-66997-05	AS-66997-06
	Ignition-N		AS-66997-13	AS-66997-15	AS-66997-17	AS-66997-18	AS-66997-19

BURNER/MANIFOLD

7	Burners	stk	AS-60993-02	AS-60993-03	AS-60993-04	AS-60993-05	AS-60993-06
8	NOx Burner Insert		AS-67875-01 (1)	AS-67875-01 (2)	AS-67875-01 (3)	AS-67875-01 (4)	AS-67875-01 (5)
9	NOx Burner Retainer Rod		AE-67872-01	AE-67872-02	AE-67872-03	AE-67872-04	AE-67872-05
np	Burner Support - (Holds the burner between the burner support brackets)		AE-60997-01	AE-60997-02	AE-60997-03	AE-60997-04	AE-60997-05
10	Burner Support Bracket (2)		AE-61588-02	AE-61588-02	AE-61588-02	AE-61588-02	AE-61588-02
11	Manifold Without Orifices (Nonpainted)		AS-61663-06	AS-61663-07	AS-61663-08	AS-61663-09	AS-61663-10
np	Burner Orifice (Natural) (U.S. Models 0 - 7999' Elev.)	stk	62-21551-42 (2)	62-21551-42 (3)	62-21551-42 (4)	62-21551-42 (5)	62-21551-42 (6)

GAS CONTROLS GROUP (EB-EC-EZ)

Burner Orifice - (See Conversion Kit Index 92-21519-58 for Domestics, for complete high altitude orifice instructions.)

26	Gas Valve - Natural						
	EB - Honeywell HW VR8205H8016	stk	60-22866-01	60-22866-01	60-22866-01	60-22866-01	60-22866-01
	EC - White Rodgers WR 36E37-214	stk	60-23490-01	60-23490-01	60-23490-01	60-23490-01	60-23490-01
	EZ - Robertshaw RS 54300	stk	60-24350-01	60-24350-01	60-24350-01	60-24350-01	60-24350-01
27	Ignitor Kit (EB-EC-EZ)	cr	62-22868-93	62-22868-93	62-22868-93	62-22868-93	62-22868-93
np	Flame Sensor		62-23543-01	62-23543-01	62-23543-01	62-23543-01	62-23543-01

LP/PROPANE CONVERSION KITS (EB-EC-EZ)

	US Models 0-7999' Elevation	new	FP-15	FP-15	FP-15	FP-15	FP-15
Convert the Natural Gas Valve using one of the following Spring Conversion Assemblies							
np	Honeywell Gas Valve would use HW 393691	stk, lp	60-22513-01	60-22513-01	60-22513-01	60-22513-01	60-22513-01
np	White Rodgers Gas Valve would use WR 92-0659	stk, lp	60-21193-01	60-21193-01	60-21193-01	60-21193-01	60-21193-01
np	Robertshaw Gas Valve would use RS 54300	stk, lp	60-23647-01	60-23647-01	60-23647-01	60-23647-01	60-23647-01
55	Burner Orifice - LP / Propane 0 - 7999' Elevation	stk, lp	62-22175-54 (3)	62-22175-54 (4)	62-22175-54 (5)	62-22175-54 (7)	62-22175-54 (8)

NO.	EFFICIENCY MODEL VOLTAGE HEATING INPUT	NOTE	80 L J 05	80 L J 07	80 L J 10	80 L J 12	80 L J 15
------------	---	-------------	------------------------------	------------------------------	------------------------------	------------------------------	------------------------------

Order Quantity is in ()

MISCELLANEOUS							
----------------------	--	--	--	--	--	--	--

np	Silicone Rubber Tubing (From the Induced Draft Blower Motor to the Pressure Switch)	cr	79-21491-83	79-21491-83	79-21491-83	79-21491-83	79-21491-83
np	Flue Pipe 3"		AE-66691-14	AE-66691-14	AE-66691-14	AE-66691-14	AE-66691-14
np	Flue Pipe Enclosure		AE-66982-01	AE-66982-01	AE-66982-01	AE-66982-01	AE-66982-01
np	Flue Pipe Enclosure Door		AE-66983-01	AE-66983-01	AE-66983-01	AE-66983-01	AE-66983-01

WeatherKing L.L.C.
5600 Old Greenwood Road
Fort Smith, AR 72908
www.weatherking.com