



www.Source1Parts.com

**PS8 UPFLOW/HORIZONTAL (80%)
NATURAL GAS FURNACES (STYLE B)
INCLUDING LO-NOX (MODELS "L")**

HVAC SERVICE PARTS

Supersedes: Nothing

035-20678-001 Rev. A (1104)

1 of 12

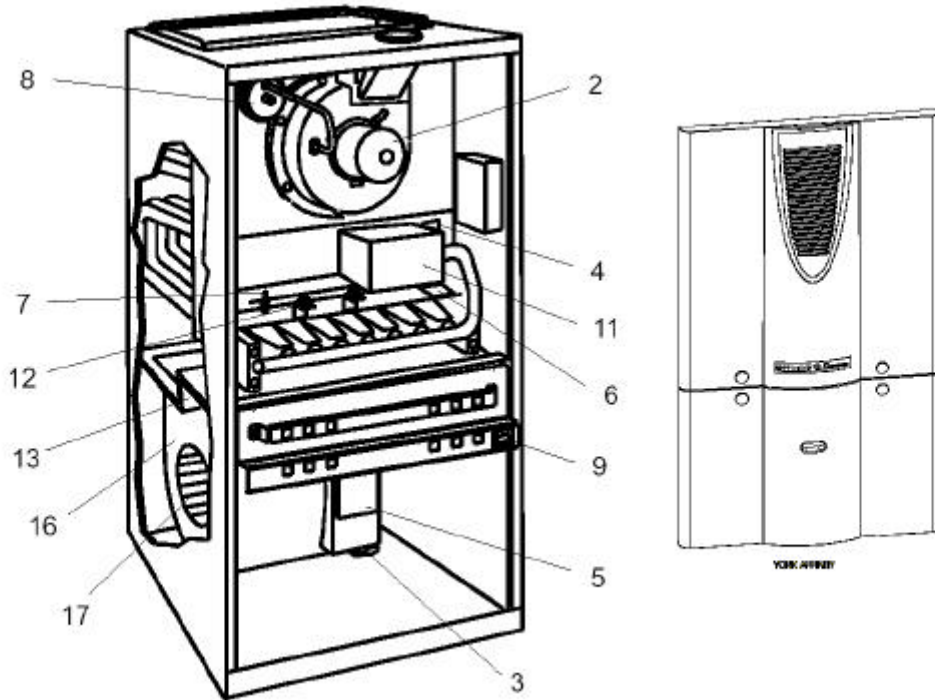


Figure 1: UPFLOW/HORIZONTAL NATURAL GAS FURNACES (80%)

FIG	ITEM	DESCRIPTION	PS8A12N040UH11B	PS8A12N060UH11B	PS8A12N080UH11B	PS8B16N080UH11B
			PS8A12L040UH11B	PS8A12L060UH11B	PS8A12L080UH11B	PS8B16L080UH11B
			(2 BURNER)	(3 BURNER)	(4 BURNER)	(4 BURNER)
MOTOR						
*	1	MOTOR, DIRECT DRIVE BLOWER	024-32054-000	024-332054-000	024-32054-000	024-26002-000
1	2	MOTOR, VENTOR ASS'Y	024-32085-000	024-32085-000	024-32085-000	024-32085-000
ELECTRICAL						
1	3	CAPACITOR (7.5MFD/370V) [RC]	024-20045-000	024-20045-000	024-20045-000	---
		CAPACITOR (10MFD/370V) [RC]	---	---	---	024-20046-000
1	4	CONTROL, HIGH LIMIT [LS1]	025-29041-011	025-29041-002	025-29041-005	025-29041-005
1	5	CONTROL, FURNACE [FC]	031-01973-000	031-01973-000	031-01973-000	031-01973-000
1	6	IGNITER	025-32625-000	025-32625-000	025-32625-000	025-32625-000
1,3	7	SENSOR, FLAME	025-27773-000	025-27773-000	025-27773-000	025-27773-000
1	8	SWITCH, AIR PRESSURE [1LP]	024-27628-001	024-27629-001	024-27629-001	024-27629-001
1	9	SWITCH, DOOR [SW]	024-31943-000	024-31943-000	024-31943-000	024-31943-000
*	10	TRANSFORMER	025-30889-000	025-30889-000	025-30889-000	025-30889-000
1,3	11	VALVE, GAS	025-37426-000	025-37426-000	025-37426-000	025-37426-000
1,3	12	CONTROL, LIMIT (Top) [ROS3]	025-27747-016	025-27747-016	025-27747-016	025-27747-016
3	12A	CONTROL, LIMIT (Side) (2 Req'd) [ROS1,2]	025-27792-009	025-27792-009	025-27792-009	025-27792-009
1	13	CONTROL, AUXILIARY LIMIT (2 Req'd) [LS2,LS3]	025-30321-000	025-30321-000	025-30321-000	025-30321-000
*	14	FUSE	025-32746-026	025-32746-026	025-32746-026	025-32746-026
	15					
AIR MOVING						
1	16	HOUSING, BLOWER	373-17827-001	373-17827-001	373-17827-001	373-17827-002
1	17	WHEEL, BLOWER	026-19654-003	026-19654-003	026-19654-003	026-19654-009

NOTE: *Not Shown

New replacement parts shown in **bold** face type at the first printing of parts list dated 1104.

Major components and suggested stocking items are shown with shaded item number.

"<" Across from row indicates a change in that row.

--- Not applicable to specified model.



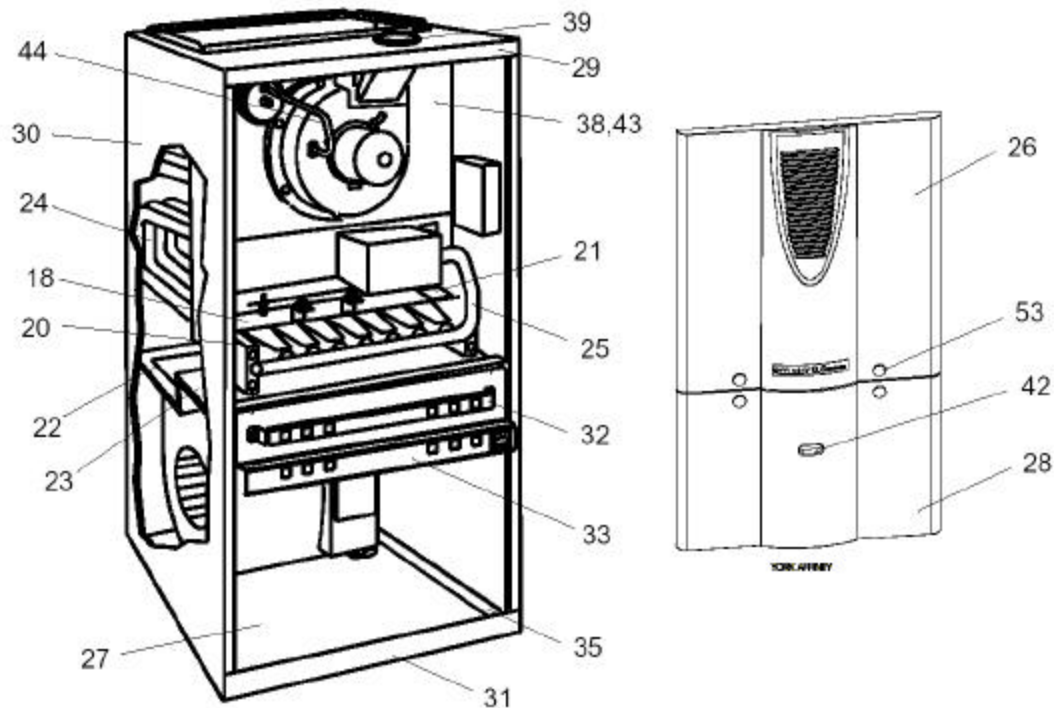


Figure 2: UPFLOW/HORIZONTAL NATURAL GAS FURNACES (80%)

FIG	ITEM	DESCRIPTION	PS8A12N040UH11B	PS8A12N060UH11B	PS8A12N080UH11B	PS8B16N080UH11B
			PS8A12L040UH11B	PS8A12L060UH11B	PS8A12L080UH11B	PS8B16L080UH11B
			(2 BURNER)	(3 BURNER)	(4 BURNER)	(4 BURNER)
FABRICATED PARTS						
2	18	SHIELD, SECONDARY AIR	073-17404-002	073-17404-003	073-17404-004	073-17404-004
*	19	BAFFLE, FLUE	073-17775-001	073-17775-001	073-17775-002	073-17775-002
2,3	20	BURNER, MAIN GAS	029-20482-000	029-20482-000	029-20482-000	029-20482-000
2	21	BRACKET, IGNITER	073-17403-000	073-17403-000	073-17403-000	073-17403-000
2	22	DECK, BLOWER (Rear)	073-17502-002	073-17502-002	073-17502-002	073-12081-001
2	23	DECK, FRONT	073-17496-000	073-17496-000	073-17496-000	073-17497-000
2	24	HEAT EXCHANGER ASS'Y (Primary)	373-17477-002	373-17477-003	373-17477-004	373-17477-008
2,3	25	MANIFOLD, GAS	029-22114-001	029-22114-002	029-22114-003	029-22114-003
2	26	PANEL, VEST ACCESS (Burner)	373-19814-425	373-19814-425	373-19814-425	373-19812-425
2	27	PAN, BASE (Blockoff)	073-19813-090	073-19813-090	073-19813-090	073-19812-090
2	28	PANEL, BLOWER ACCESS	373-19814-415	373-19814-415	373-19814-415	373-19812-415
2	29	PANEL, TOP	073-19862-061	073-19862-061	073-19862-061	073-19862-062
2	30	WRAPPER, INSULATED	373-19862-001	373-19862-001	373-19862-001	373-19862-002
2	31	CHANNEL, TOE PLATE	073-19862-051	073-19862-051	073-19862-051	073-19862-052
2	32	MOUNTING BRACKET, TOP DOOR	073-19862-071	073-19862-071	073-19862-071	073-19862-072
2	33	MOUNTING BRACKET, BOTTOM DOOR	073-19862-075	073-19862-075	073-19862-075	073-19862-076
*	34	RACK, FILTER	026-38509-000	026-38509-000	026-38509-000	026-38509-000
2	35	BASE FRAME, SIDE (2 Req'd)	073-19811-085	073-19811-085	073-19811-085	073-19811-085
3	36	BRACKET, ROLL-OUT SWITCH	073-12033-000	073-12033-000	073-12033-000	073-12033-000
3	37	ORIFICE, BURNER (Natural #45)	029-21182-045	029-21182-045	029-21182-045	029-21182-045
2	38	PLATE, RESTRICTOR	073-17777-109	073-17777-144	073-17487-159	073-17785-159
2	39	COLLAR, FLUE	073-17507-000	073-17507-000	073-17507-000	073-17507-000
*	40	LO-NOX SCREEN (L-Models Only)	026-35452-000	026-35452-000	026-35452-000	026-35452-000

NOTE: *Not Shown
 New replacement parts shown in **bold** face type at the first printing of parts list dated 11/04.
 Major components and suggested stocking items are shown with shaded item number.
 "<" Across from row indicates a change in that row.
 --- Not applicable to specified model.



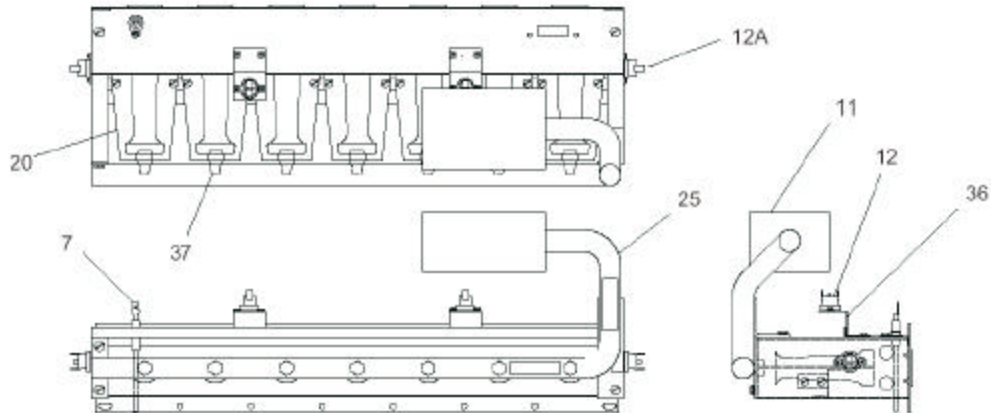


Figure 3: GAS CONTROLS

FIG	ITEM	DESCRIPTION	PS8A12N040UH11B	PS8A12N060UH11B	PS8A12N080UH11B	PS8B16N080UH11B
			PS8A12L040UH11B	PS8A12L060UH11B	PS8A12L080UH11B	PS8B16L080UH11B
			(2 BURNER)	(3 BURNER)	(4 BURNER)	(4 BURNER)
MISCELLANEOUS						
*	41	FILTER (.75 X 16 X 25)	026-38508-000	026-38508-000	026-38508-000	026-38508-000
2	42	SIGHT GLASS, OVAL	025-38899-000	025-38899-000	025-38899-000	025-38899-000
2	43	GASKET, RESTRICTOR PLATE	028-13258-000	028-13258-000	028-13259-000	028-13281-000
2	44	TUBING, SILICONE	028-12499-000	028-12499-000	028-12499-000	028-12499-000
*	45	SHIELD, INDUCER	073-19852-100	073-19852-100	073-19852-100	073-19852-100
*	46	WIRING DIAGRAM	035-19658-002	035-19658-002	035-19658-002	035-19658-002
*	47	WIRING HARNESS	373-19870-001	373-19870-001	373-19870-001	373-19870-001
*	48	ISOLATOR, TUBE (3 Req'd)	028-09412-001	028-09412-001	028-09412-001	028-09412-001
*	49	ISOLATOR, WASHER (3 Req'd)	028-09412-002	028-09412-002	028-09412-002	028-09412-002
*	50	ISOLATOR, SLEEVE (3 Req'd)	028-09412-003	028-09412-003	028-09412-003	028-09412-003
*	51	MOTOR MOUNT	026-31459-000	026-31480-000	026-31480-000	026-31459-000
*	52	GROMMET, 1/2" DIA.	025-30823-000	025-30823-000	025-30823-000	025-30823-000
2	53	KNOB, DOOR (4 Req'd)	026-39490-000	026-39490-000	026-39490-000	026-39490-000
*	54	RETAINER, DOOR KNOB (4 Req'd)	021-31394-000	021-31394-000	021-31394-000	021-31394-000
*	55	NUT, SELF THREADING (10 Req'd)	021-31395-000	021-31395-000	021-31395-000	021-31395-000
*	56	RETAINER, SQUARE	028-15190-000	028-15190-000	028-15190-000	028-15190-000

NOTE: *Not Shown

New replacement parts shown in **bold** face type at the first printing of parts list dated 11/04.

Major components and suggested stocking items are shown with shaded item number.

"<" Across from row indicates a change in that row.

--- Not applicable to specified model.



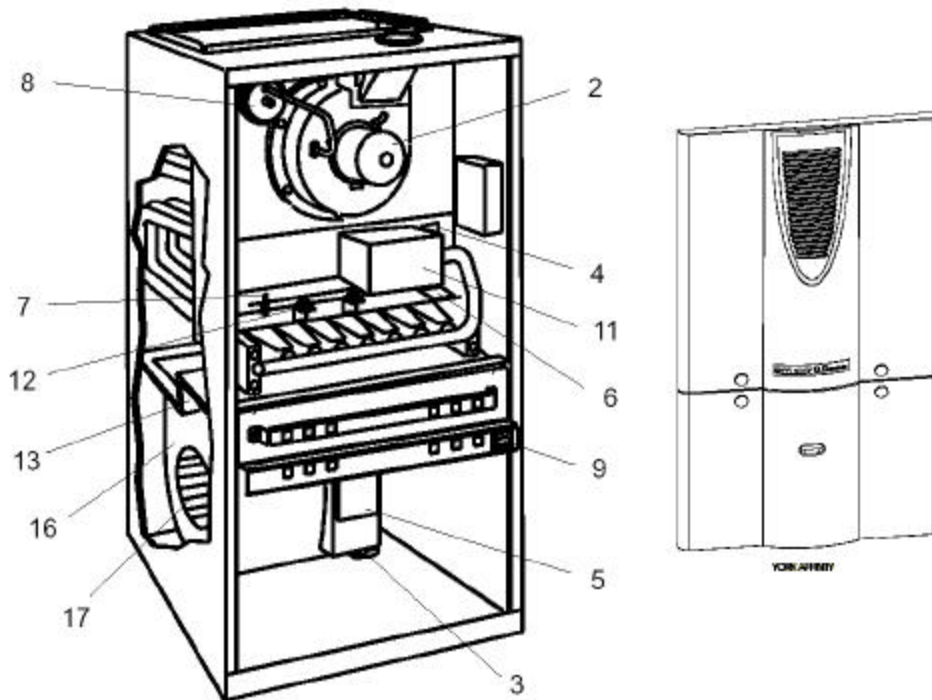


Figure 1: UPFLOW/HORIZONTAL NATURAL GAS FURNACES (80%)

FIG	ITEM	DESCRIPTION	PS8C22N080UH11B	PS8B12N100UH11B	PS8B16N100UH11B	PS8C20N100UH11B	<	
			PS8C20L080UH11B	PS8B12L100UH11B	PS8B16L100UH11B	PS8C20L100UH11B		<
			(4 BURNER)	(5 BURNER)	(5 BURNER)	(5 BURNER)		
MOTOR								
*	1	MOTOR,DIRECT DRIVE BLOWER	024-32056-000	024-32054-000	024-26002-000	024-32056-000		
1	2	MOTOR,VENTOR ASS'Y	024-32085-000	024-32085-000	024-32085-000	024-32085-000		
ELECTRICAL								
1	3	CAPACITOR (7.5MFD/370V) [RC]	---	024-20045-000	---	---		
		CAPACITOR (10MFD/370V) [RC]	---	---	024-20046-000	---		
		CAPACITOR (15MFD/370V) [RC]	024-25900-000	---	---	024-25900-000		
1	4	CONTROL, HIGH LIMIT [LS1]	025-29041-005	025-29041-005	025-29041-005	025-29041-002		
1	5	CONTROL, FURNACE [FC]	031-01973-000	031-01973-000	031-01973-000	031-01973-000		
1	6	IGNITER	025-32625-000	025-32625-000	025-32625-000	025-32625-000		
1,3	7	SENSOR, FLAME	025-27773-000	025-27773-000	025-27773-000	025-27773-000		
1	8	SWITCH, AIR PRESSURE [1LP]	024-27629-001	024-27630-001	024-27630-001	024-27630-001		
1	9	SWITCH, DOOR [SW]	024-31943-000	024-31943-000	024-31943-000	024-31943-000		
*	10	TRANSFORMER	025-30889-000	025-30889-000	025-30889-000	025-30889-000		
1,3	11	VALVE, GAS	025-37426-000	025-37426-000	025-37426-000	025-37426-000		
1,3	12	CONTROL, LIMIT (Top) [ROS3]	025-27747-016	025-27747-018	025-27747-018	025-27747-018		
3	12A	CONTROL, LIMIT (Side) (2 Req'd) [ROS1,2]	025-27792-009	025-27792-009	025-27792-009	025-27792-009		
1	13	CONTROL, AUXILARY LIMIT (2 Req'd) [LS2,3]	025-30321-000	025-30321-000	025-30321-000	025-30321-000		
*	14	FUSE	025-32746-026	025-32746-026	025-32746-026	025-32746-026		
	15							
AIR MOVING								
1	16	HOUSING, BLOWER	373-19870-502	373-17827-001	373-17827-002	373-19870-502		
1	17	WHEEL, BLOWER	026-38510-000	026-19654-003	026-19654-009	026-38510-000		

NOTE: *Not Shown
 New replacement parts shown in **bold** face type at the first printing of parts list dated 11/04.
 Major components and suggested stocking items are shown with shaded item number.
 "<" Across from row indicates a change in that row.
 --- Not applicable to specified model.



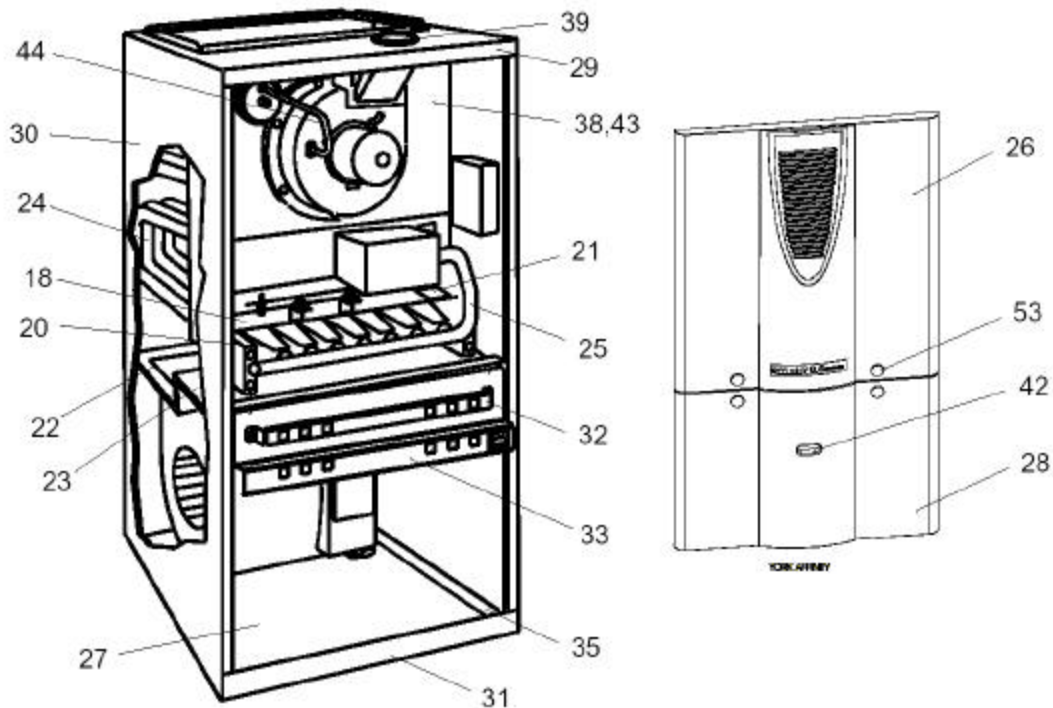


Figure 2: UPFLOW/HORIZONTAL NATURAL GAS FURNACES (80%)

FIG	ITEM	DESCRIPTION	PS8C22N080UH11B	PS8B12N100UH11B	PS8B16N100UH11B	PS8C20N100UH11B
			PS8C20L080UH11B	PS8B12L100UH11B	PS8B16L100UH11B	PS8C20L100UH11B
			(4 BURNER)	(5 BURNER)	(5 BURNER)	(5 BURNER)
FABRICATED PARTS						
2	18	SHIELD, SECONDARY AIR	073-17404-004	073-17404-005	073-17404-005	073-17404-005
*	19	BAFFLE, FLUE	073-17775-002	073-17775-003	073-17775-003	073-17775-003
2,3	20	BURNER, MAIN GAS	029-20482-000	029-20482-000	029-20482-000	029-20482-000
2	21	BRACKET, IGNITER	073-17403-000	073-17403-000	073-17403-000	073-17403-000
2	22	DECK, BLOWER (Rear)	073-19870-503	073-12081-001	073-12081-001	073-119870-503
2	23	DECK, FRONT	073-17498-000	073-17497-000	073-17497-000	073-17498-000
2	24	HEAT EXCHANGER ASS'Y (Primary)	373-17477-009	373-17477-005	373-17477-005	373-17477-010
2,3	25	MANIFOLD, GAS	029-22114-003	029-22114-004	029-22114-004	029-22114-004
2	26	PANEL, VEST ACCESS (Burner)	373-19816-425	373-19812-425	373-19812-425	373-19816-425
2	27	PAN, BASE (Blockoff)	073-19816-090	073-19812-090	073-19812-090	073-19816-090
2	28	PANEL, BLOWER ACCESS	373-19816-415	373-19812-415	373-19812-415	373-19816-415
2	29	PANEL, TOP	073-19862-063	073-19862-062	073-19862-062	073-19862-063
2	30	WRAPPER, INSULATED	373-19862-003	373-19862-002	373-19862-002	373-19862-003
2	31	CHANNEL, TOE PLATE	073-19862-053	073-19862-052	073-19862-052	073-19862-053
2	32	MOUNTING BRACKET, TOP DOOR	073-19862-073	073-19862-072	073-19862-072	073-19862-073
2	33	MOUNTING BRACKET, BOTTOM DOOR	073-19862-077	073-19862-076	073-19862-076	073-19862-077
*	34	RACK, FILTER	026-38509-000	026-38509-000	026-38509-000	026-38509-000
2	35	BASE FRAME, SIDE (2 Req'd)	073-19811-085	073-19811-085	073-19811-085	073-19811-085
3	36	BRACKET, ROLL-OUT SWITCH	073-12033-000	073-12033-000	073-12033-000	073-12033-000
3	37	ORIFICE, BURNER (Natural #45)	029-21182-045	029-21182-045	029-21182-045	029-21182-045
2	38	PLATE, RESTRICTOR (N-Models)	073-17786-159	073-17488-172	073-17488-172	073-17787-172
		PLATE, RESTRICTOR (L-Models)	073-17786-172	073-17488-172	073-17488-172	073-17787-172
2	39	COLLAR, FLUE	073-17507-000	073-17507-000	073-17507-000	073-17507-000
*	40	LO-NOX SCREEN (L-Models Only)	026-35452-000	026-35452-000	026-35452-000	026-35452-000

NOTE: *Not Shown
 New replacement parts shown in **bold** face type at the first printing of parts list dated 11/04.
 Major components and suggested stocking items are shown with shaded item number.
 "<" Across from row indicates a change in that row.
 --- Not applicable to specified model.

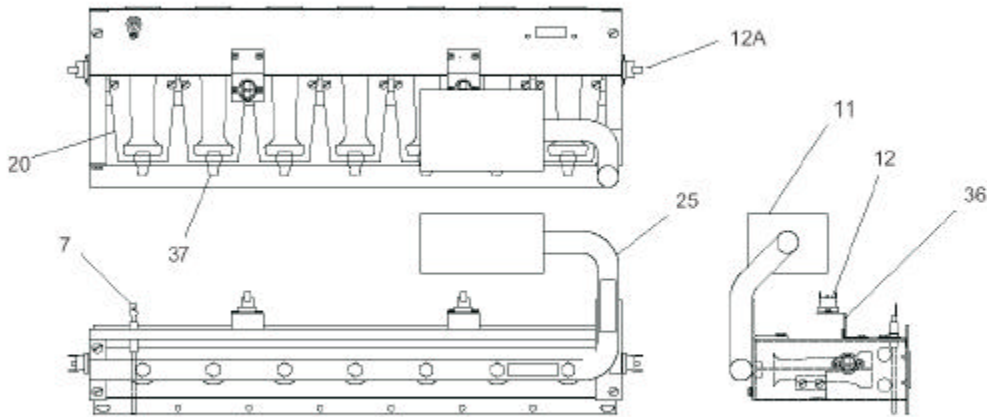


Figure 3: GAS CONTROLS

FIG	ITEM	DESCRIPTION	PS8C22N080UH11B	PS8B12N100UH11B	PS8B16N100UH11B	PS8C20N100UH11B
			PS8C20L080UH11B	PS8B12L100UH11B	PS8B16L100UH11B	PS8C20L100UH11B
			(4 BURNER)	(5 BURNER)	(5 BURNER)	(5 BURNER)
MISCELLANEOUS						
*	41	FILTER (.75 X 16 X 25)	026-38508-000	026-38508-000	026-38508-000	026-38508-000
2	42	SIGHT GLASS, OVAL	025-38899-000	025-38899-000	025-38899-000	025-38899-000
2	43	GASKET, RESTRICTOR PLATE	028-13282-000	028-13260-000	028-13260-000	028-13283-000
2	44	TUBING, SILICONE	028-12499-000	028-12499-000	028-12499-000	028-12499-000
*	45	SHIELD, INDUCER	073-19852-100	073-19852-100	073-19852-100	073-19852-100
*	46	WIRING DIAGRAM	035-19658-002	035-19658-002	035-19658-002	035-19658-002
*	47	WIRING HARNESS	373-19870-001	373-19870-001	373-19870-001	373-19870-001
*	48	ISOLATOR, TUBE (3 Req'd)	028-09412-001	028-09412-001	028-09412-001	028-09412-001
*	49	ISOLATOR, WASHER (3 Req'd)	028-09412-002	028-09412-002	028-09412-002	028-09412-002
*	50	ISOLATOR, SLEEVE (3 Req'd)	028-09412-003	028-09412-003	028-09412-003	028-09412-003
*	51	MOTOR MOUNT	026-31459-000	026-31480-000	026-31480-000	026-31459-000
*	52	GROMMET, 1/2" DIA.	025-30823-000	025-30823-000	025-30823-000	025-30823-000
2	53	KNOB, DOOR (4 Req'd)	026-39490-000	026-39490-000	026-39490-000	026-39490-000
*	54	RETAINER, DOOR KNOB (4 Req'd)	021-31394-000	021-31394-000	021-31394-000	021-31394-000
*	55	NUT, SELF THREADING (10 Req'd)	021-31395-000	021-31395-000	021-31395-000	021-31395-000
*	56	RETAINER, SQUARE	028-15190-000	028-15190-000	028-15190-000	028-15190-000

NOTE: *Not Shown
 New replacement parts shown in **bold** face type at the first printing of parts list dated 11/04.
 Major components and suggested stocking items are shown with shaded item number.
 "<" Across from row indicates a change in that row.
 --- Not applicable to specified model.

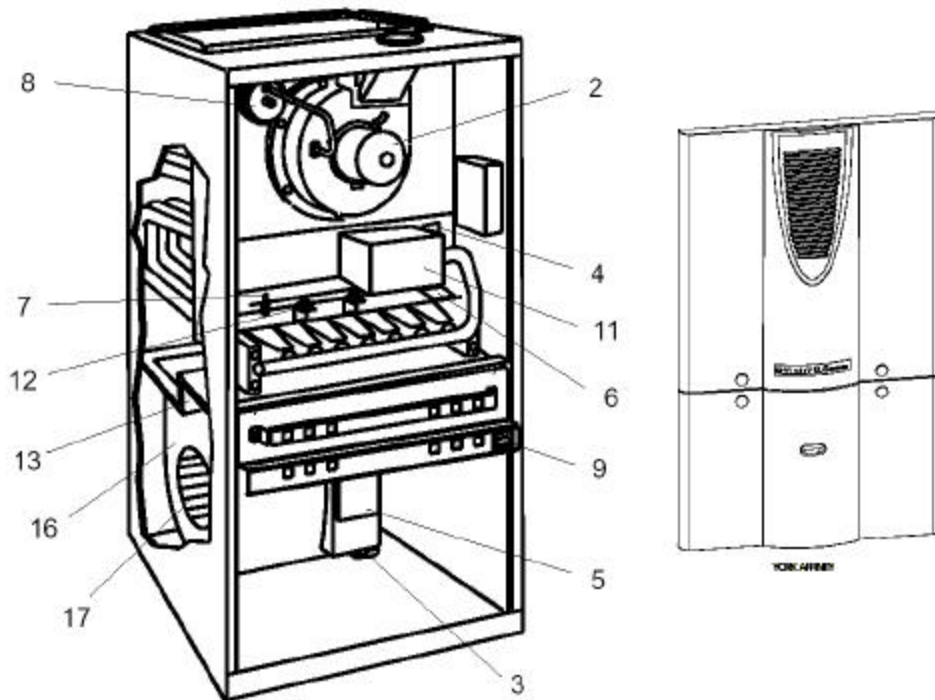


Figure 1: UPFLOW/HORIZONTAL NATURAL GAS FURNACES (80%)

FIG	ITEM	DESCRIPTION	PS8C16N115UH11B	PS8C20N115UH11B	PS8C20N130UH11B
			---	PS8C20L115UH11B	PS8C20L130UH11B
			(6 BURNER)	(6 BURNER)	(7 BURNER)
MOTOR					
*	1	MOTOR,DIRECT DRIVE BLOWER	024-26002-000	024-32056-000	024-32056-000
1	2	MOTOR,VENTOR ASS'Y	024-32085-000	024-32085-000	024-32085-000
ELECTRICAL					
1	3	CAPACITOR (10MFD/370V) [RC]	024-20046-000	---	---
		CAPACITOR (15MFD/370V) [RC]	---	024-25900-000	024-25900-000
1	4	CONTROL, HIGH LIMIT [LS1]	025-29041-005	025-29041-005	025-29041-005
1	5	CONTROL, FURNACE [FC]	031-01973-000	031-01973-000	031-01973-000
1	6	IGNITER	025-32625-000	025-32625-000	025-32625-000
1,3	7	SENSOR, FLAME	025-27773-000	025-27773-000	025-27773-000
1	8	SWITCH, AIR PRESSURE [1LP]	024-27630-001	024-27630-001	024-27630-001
1	9	SWITCH, DOOR [SW]	024-31943-000	024-31943-000	024-31943-000
*	10	TRANSFORMER	025-30889-000	025-30889-000	025-30889-000
1,3	11	VALVE, GAS	025-37426-000	025-37426-000	025-37426-000
1,3	12	CONTROL, LIMIT (Top, 2 Req'd) [ROS3]	025-27747-018	025-27747-018	025-27747-018
3	12A	CONTROL, LIMIT (Side, 2 Req'd) [ROS1,2]	025-27792-009	025-27792-009	025-27792-009
1	13	CONTROL, AUXILARY LIMIT (2 Req'd)[LS2,3]	025-30321-000	025-30321-000	025-30321-000
*	14	FUSE	025-32746-026	025-32746-026	025-32746-026
	15				
AIR MOVING					
1	16	HOUSING, BLOWER	373-17828-001	373-19870-502	373-19870-502
1	17	WHEEL, BLOWER	026-19654-005	026-68510-000	026-68510-000

NOTE: *Not Shown
 New replacement parts shown in **bold** face type at the first printing of parts list dated 11/04.
 Major components and suggested stocking items are shown with shaded item number.
 "<" Across from row indicates a change in that row.
 --- Not applicable to specified model.



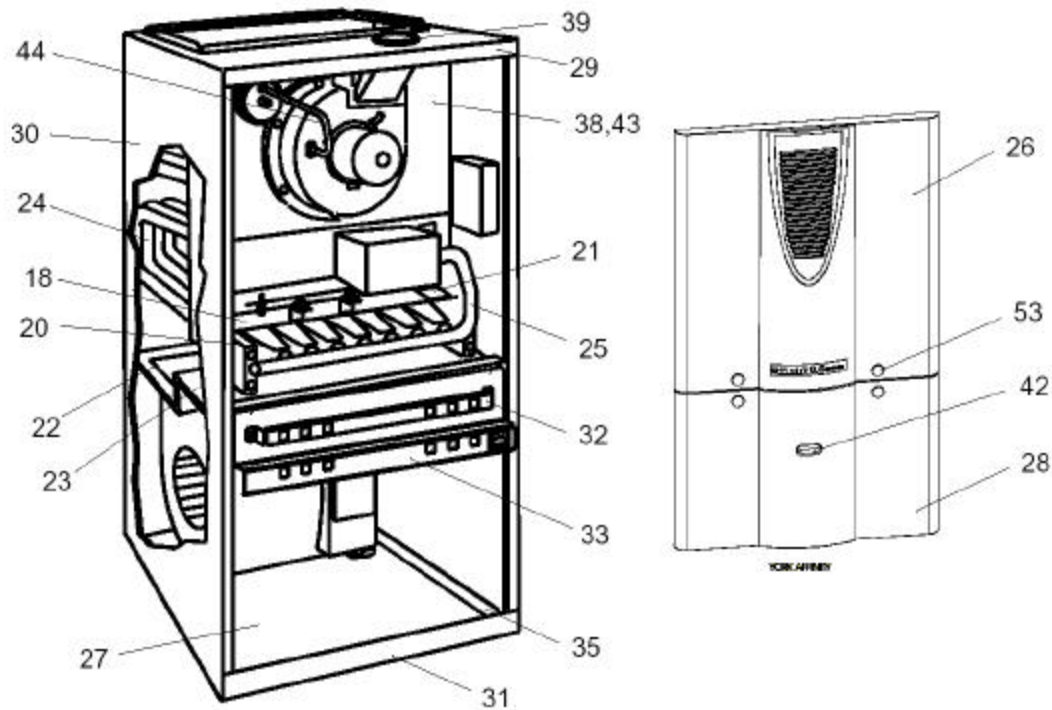


Figure 2: UPFLOW/HORIZONTAL NATURAL GAS FURNACES (80%)

FIG	ITEM	DESCRIPTION	PS8C16N115UH11B	PS8C20N115UH11B	PS8C20N130UH11B
			---	PS8C20L115UH11B	PS8C20L130UH11B
			(6 BURNER)	(6 BURNER)	(7 BURNER)
FABRICATED PARTS					
2	18	SHIELD, SECONDARY AIR	073-17404-006	073-17404-006	073-17404-007
*	19	BAFFLE, FLUE	073-17775-004	073-17775-004	073-17775-005
2,3	20	BURNER, MAIN GAS	029-20482-000	029-20482-000	029-20482-000
2	21	BRACKET, IGNITER	073-17403-000	073-17403-000	073-17403-000
2	22	DECK, BLOWER (Rear)	073-12082-001	073-19870-503	073-19870-504
2	23	DECK, FRONT	073-17498-000	073-17498-000	073-17499-000
2	24	HEAT EXCHANGER ASS'Y (Primary)	373-17477-006	373-17477-006	373-17477-007
2,3	25	MANIFOLD, GAS	029-22114-005	029-22114-005	029-22114-006
2	26	PANEL, VEST ACCESS (Burner)	373-19816-425	373-19816-425	373-19820-425
2	27	PAN, BASE (Blockoff)	073-19816-090	073-19816-090	073-19820-090
2	28	PANEL, BLOWER ACCESS	373-19816-415	373-19816-415	373-19820-415
2	29	PANEL, TOP	073-19862-063	073-19862-063	073-19862-064
2	30	WRAPPER, INSULATED	373-19862-003	373-19862-003	373-19862-004
2	31	CHANNEL, TOE PLATE	073-19862-053	073-19862-053	073-19862-054
2	32	MOUNTING BRACKET, TOP DOOR	073-19862-073	073-19862-073	073-19862-074
2	33	MOUNTING BRACKET, BOTTOM DOOR	073-19862-077	073-19862-077	073-19862-078
*	34	RACK, FILTER	026-38509-000	026-38509-000	026-38509-000
2	35	BASE FRAME, SIDE (2 Req'd)	073-19811-085	073-19811-085	073-19811-085
3	36	BRACKET, ROLL-OUT SWITCH (2 Req'd)	073-12033-000	073-12033-000	073-12033-000
3	37	ORIFICE, BURNER (Natural #45)	029-21182-045	029-21182-045	029-21182-045
2	38	PLATE, RESTRICTOR	073-17489-177	073-17489-184	073-17490-194
2	39	COLLAR, FLUE	073-17507-000	073-17507-000	073-17507-000
*	40	LO-NOX SCREEN (L-Models Only)	---	026-35452-000	026-35452-000

NOTE: *Not Shown
 New replacement parts shown in **bold** face type at the first printing of parts list dated 11/04.
 Major components and suggested stocking items are shown with shaded item number.
 “<” Across from row indicates a change in that row.
 --- Not applicable to specified model.



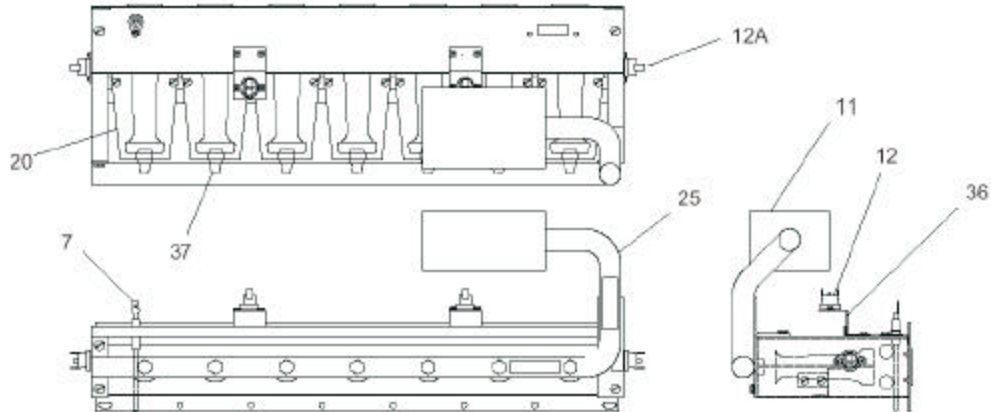


Figure 3: GAS CONTROLS

FIG	ITEM	DESCRIPTION	PS8C16N115UH11B	PS8C20N115UH11B	PS8C20N130UH11B
			---	PS8C20L115UH11B	PS8C20L130UH11B
			(6 BURNER)	(6 BURNER)	(7 BURNER)
MISCELLANEOUS					
*	41	FILTER (.75 X 16 X 25)	026-38508-000	026-38508-000	026-38508-000
2	42	SIGHT GLASS, OVAL	025-38899-000	025-38899-000	025-38899-000
2	43	GASKET, RESTRICTOR PLATE	028-13261-000	028-13261-000	028-13262-000
2	44	TUBING, SILICONE	028-12499-000	028-12499-000	028-12499-000
*	45	SHIELD, INDUCER	073-19852-100	073-19852-100	073-19852-100
*	46	WIRING DIAGRAM	035-19658-002	035-19658-002	035-19658-002
*	47	WIRING HARNESS	373-19870-002	373-19870-002	373-19870-002
*	48	ISOLATOR, TUBE (3 Req'd)	028-09412-001	028-09412-001	028-09412-001
*	49	ISOLATOR, WASHER (3 Req'd)	028-09412-002	028-09412-002	028-09412-002
*	50	ISOLATOR, SLEEVE (3 Req'd)	028-09412-003	028-09412-003	028-09412-003
*	51	MOTOR MOUNT	026-31480-000	026-31459-000	026-31459-000
*	52	GROMMET, 1/2" DIA.	025-30823-000	025-30823-000	025-30823-000
2	53	KNOB, DOOR (4 Req'd)	026-39490-000	026-39490-000	026-39490-000
*	54	RETAINER, DOOR KNOB (4 Req'd)	021-31394-000	021-31394-000	021-31394-000
*	55	NUT, SELF THREADING (10 Req'd)	021-31395-000	021-31395-000	021-31395-000
*	56	RETAINER, SQUARE	028-15190-000	028-15190-000	028-15190-000

NOTE: *Not Shown

New replacement parts shown in **bold** face type at the first printing of parts list dated 11/04.

Major components and suggested stocking items are shown with shaded item number.

"<" Across from row indicates a change in that row.

--- Not applicable to specified model.



HIGH ALTITUDE PRESSURE SWITCH			
Input (MBH)	Output (MBH)	2,000 to 5,500 Ft.	>5,500 to 10,000 Ft.
40	32	1PS0301	1PS0301
60	48	1PS0301	1PS0301
80	64	1PS0302	1PS0302
100	80	1PS0312	1PS0311
115	92	1PS0312	1PS0311
130	104	1PS0312	1PS0311

FIELD INSTALLED ACCESSORIES - NON ELECTRICAL		
MODEL NO.	DESCRIPTION	USED WITH
1NP0347	PROPANE (LP) CONVERSION KIT	040, 080, 100
1NP0348		060, 115, 130
1PS0301	HIGH ALTITUDE PRESSURE SWITCH KIT (Does Not Include Orifices)	SEE CHART ABOVE
1PS0302		
1PS0311		
1PS0312		
1BR0314	EXTERNAL BOTTOM RETURN FILTER, with High Velocity Filter for Horizontal Application for Upflow Bottom Return Application.	14-1/2" CABINETS
1BR0317		17-1/2" CABINETS
1BR0321		21" CABINETS
1SR0302	EXTERNAL SIDE FILTER RACK - with Filter Rack (6 pack)	ALL MODELS

FIELD INSTALLED ACCESSORIES - ELECTRICAL		
MODEL NO.	DESCRIPTION	USED WITH
2TB17700424	SUBBASE (24V) -One-stage Heat / Cool. Manual changeover. System Switch: Cool-Off-Heat. Fan Switch: Auto-On.	ALL MODELS
6TH13700524	THERMOSTAT-One-stage heat. Deluxe 24V with heat only sub- base, does not include fan switch. NOTE: For one-stage cool or one-stage heat/cool, must be used with subbase 2TB17700424.	ALL MODELS
6ET03700324	THERMOSTAT- Hardwired, 1Heat / 1 Cool. Manual changeover. System Switch: Cool-Off-Heat. Fan Switch: Auto-On.	ALL MODELS
6ET03701224	THERMOSTAT-Power Stealing, 1 Heat /1 Cool. Manual changeover. System Switch: Cool-Off-Heat. Fan Switch: Auto-On.	ALL MODELS
6ET03700124	THERMOSTAT-Hardwired, 1 Heat / 1 Cool. Programmable, Auto changeover. System Switch: Cool-Off-Heat. Fan Switch: Auto-On.	ALL MODELS
6ET03701024	THERMOSTAT-Power Stealing, 1 Heat /1 Cool. Programmable, Auto changeover. System Switch: Cool-Off-Heat. Fan Switch: Auto-On.	ALL MODELS
2TC03700124	TWINNING CONTROL	ALL MODELS

NOTES

This document Appends: 035-20345-001 Rev. A (0504).

TO ORDER AUTHORIZED FACTORY REPLACEMENT PARTS - Contact your Source1 HVAC Parts Distributor or visit our website at **www.Source1Parts.com** for a Distributor and Dealer listing.

Subject to change without notice. Printed in U.S.A.
Copyright © by York International Corp. 2004. All rights reserved.

035-20678-001 Rev. A (1104)
Supersedes: Nothing

**Unitary
Products
Group**

**5005
York
Drive**

**Norman
OK
73069**