



www.Source1Parts.com

PV8 SERIES 2 STAGE - VARIABLE SPEED UPFLOW/HORIZONTAL NATURAL GAS FURNACES 80% - STYLE A - INCLUDING LO-NOX MODELS (L)

HVAC SERVICE PARTS

Supersedes: 035-20355-001 Rev. D (1105)

035-20355-001 Rev. E (1106)

1 of 8

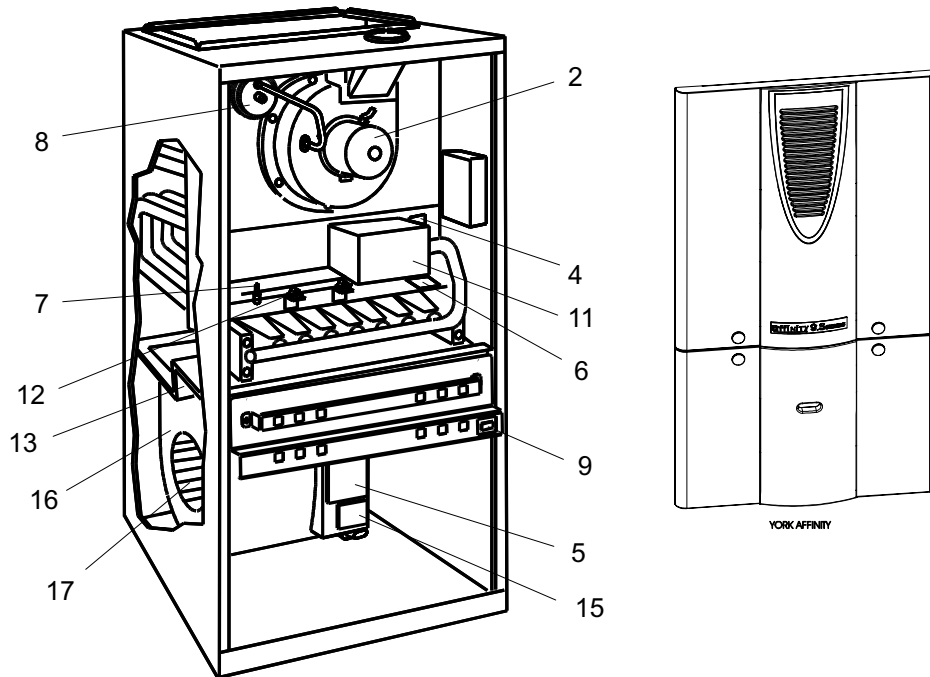


Figure 1: 2 STAGE-VARIABLE SPEED UPFLOW/HORIZONTAL NATURAL GAS FURNACES (80%)<

FIG	ITEM	DESCRIPTION	PV8A12N060UH11A	PV8A12N080UH11A	PV8B16N080UH11A	
			PV8A12L060UH11A (3 BURNER)	PV8A12L080UH11A (4 BURNER)	---	
MOTORS						
*	1A	COMPLETE MOTOR/MODULE (Programmed)	024-35296-000	024-31940-026	024-35297-000	<
*	1B	MOTOR, BLOWER (less module)	024-31940-000	024-31940-000	024-31947-000	<
*	1C	MODULE, ECM MOTOR (Programmed)	324-32013-074	324-32013-043	324-32014-075	<
1	2	MOTOR,VENTOR ASS'Y	024-27653-000	024-27653-000	024-27653-000	
ELECTRICAL						
	3					
1	4	CONTROL, HIGH LIMIT	025-29041-005	025-29041-005	025-29041-005	
1	5	CONTROL, FURNACE [FC]	031-09117-000	031-09117-000	031-09117-000	
1	6	IGNITER	025-32625-000	025-32625-000	025-32625-000	
1,3	7	SENSOR, FLAME	025-27773-000	025-27773-000	025-27773-000	
1	8	SWITCH, AIR PRESSURE [1LP]	024-35273-000	024-35274-000	024-35274-000	
1	9	SWITCH, DOOR [SW]	024-27640-000	024-27640-000	024-27640-000	
*	10	TRANSFORMER	025-30889-000	025-30889-000	025-30889-000	
1	11	VALVE, GAS	025-38915-000	025-38915-000	025-38915-000	
1,3	12	SWITCH, FLAME ROLL-OUT [ROS 3]	025-27747-016	025-27747-016	025-27747-016	
3	12A	SWITCH, FLAME ROLL-OUT (2 ea.) [ROS1,2]	025-27792-009	025-27792-009	025-27792-009	
1	13	CONTROL, AUX. LIMIT (2 ea.) [LS2,LS3]	025-30321-000	025-30321-000	025-30321-000	
*	14	FUSE (ARO 3)	025-32746-026	025-32746-026	025-32746-026	
1	15	CFM SELECTION BOARD	031-09118-000	031-09118-000	031-09118-000	
AIR MOVING						
1	16	HOUSING, BLOWER	373-17827-001	373-17827-001	373-17829-002	
*	16A	WRAP, FILLER PANEL	---	---	063-93198-000	
1	17	WHEEL, BLOWER	026-19654-003	026-19654-003	026-19654-009	

NOTE: *Not Shown

New replacement parts shown in **bold** face type at the first printing of parts list dated 11/06.

Major components and suggested stocking items are shown with shaded item number.

"<" Across from row indicates a change in that row.



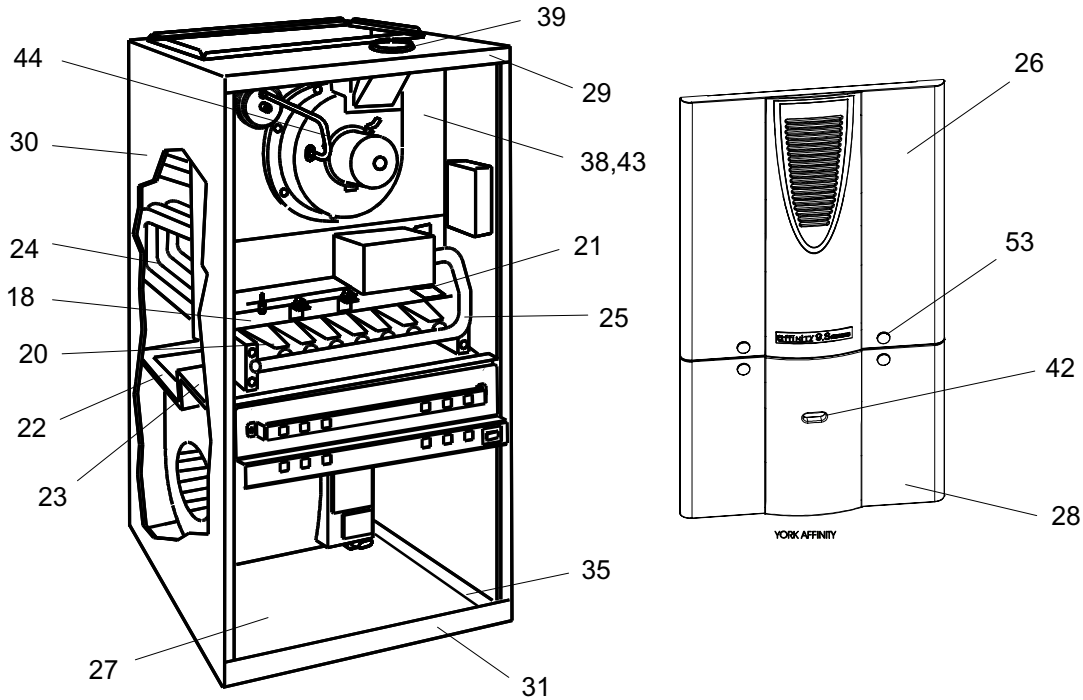


Figure 2: 2 STAGE-VARIABLE SPEED UPFLOW/HORIZONTAL NATURAL GAS FURNACES (80%)

FIG	ITEM	DESCRIPTION	PV8A12N060UH11A	PV8A12N080UH11A	PV8B16N080UH11A
			PV8B16L060UH11A (3 BURNER)	PV8A12L080UH11A (4 BURNER)	--- (4 BURNER)
FABRICATED PARTS					
	18				
*	19	BAFFLE, FLUE	073-17775-001	073-17775-002	073-17775-002
2,3	20	BURNER, MAIN GAS	029-20482-000	029-20482-000	029-20482-000
2,3	21	BRACKET, IGNITER	073-17403-000	073-17403-000	073-17403-000
2	22	DECK, BLOWER (Rear)	073-17502-002	073-17502-002	073-12081-001
2	23	DECK, FRONT	073-17496-000	073-17496-000	073-17497-000
2	24	HEAT EXCHANGER ASS'Y	373-17477-003	373-17477-004	373-17477-008
2,3	25	MANIFOLD, GAS	029-22114-002	029-22114-003	029-22114-003
2	26	PANEL, UPPER ACCESS (Burner)	373-19814-425	373-19814-425	373-19812-425
		PANEL, UPPER ACCESS (Burner) (Magnet)	373-23801-001	373-23801-001	373-23801-002
2	27	PAN, BASE	073-19813-090	073-19813-090	073-19812-090
2	28	PANEL, BLOWER ACCESS	373-19814-415	373-19814-415	373-19812-415
		PANEL, BLOWER ACCESS (Magnet)	373-23801-013	373-23801-013	373-23801-014
2	29	PANEL, TOP	073-19862-061	073-19862-061	073-19862-062
2	30	WRAPPER, INSULATED	373-19862-001	373-19862-001	373-19862-002
2	31	CHANNEL, TOE PLATE	073-19862-051	073-19862-051	073-19862-052
	32				
	33				
*	34	RACK, FILTER	026-38509-000	026-38509-000	026-38509-000
2	35	FRAME, SIDE BASE (2 Req'd)	073-19811-085	073-19811-085	073-19811-085
3	36	BRACKET, ROLL-OUT SWITCH	073-12033-000	073-12033-000	073-12033-000
3	37	ORIFICE, BURNER (Natural #45)	029-21182-045	029-21182-045	029-21182-045
2	38	PLATE, RESTRICTOR	073-17777-156	073-17487-184	073-17787-184
2	39	COLLAR, FLUE	073-17507-000	073-17507-000	073-17507-000
*	40	LO-NOX SCREEN ("L" Models Only)	026-35452-000	026-35452-000	026-35452-000

NOTE: *Not Shown

New replacement parts shown in **bold** face type at the first printing of parts list code dated 11/06.

Major components and suggested stocking items are shown with shaded item number.

"<" Across from row indicates a change in that row.



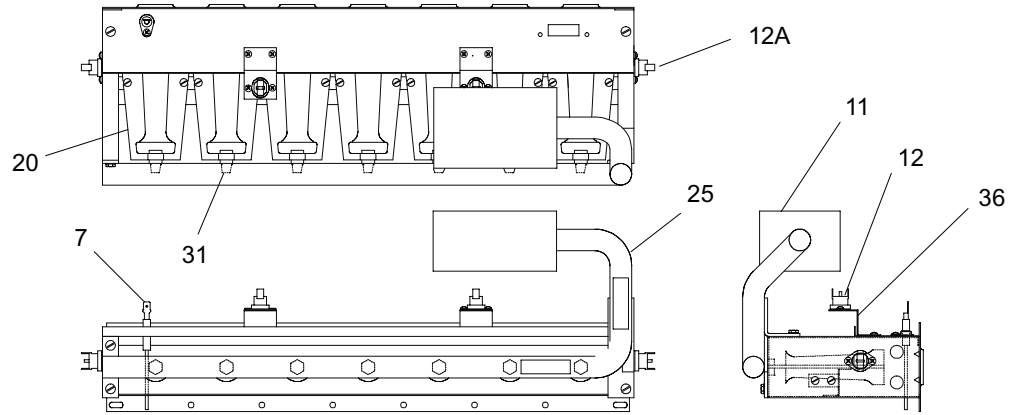


Figure 3: GAS CONTROLS

FIG	ITEM	DESCRIPTION	PV8A12N060UH11A	PV8A12N080UH11A	PV8B16N080UH11A
			PV8A12L060UH11A	PV8A12L080UH11A	---
			(3 BURNER)	(4 BURNER)	(4 BURNER)
MISCELLANEOUS					
*	41	FILTER (.75 x 16 x 25)	026-38508-000	026-38508-000	026-38508-000
2	42	SIGHT GLASS, OVAL	025-38899-000	025-38899-000	025-38899-000
2	43	GASKET, RESTRICTOR PLATE	028-13258-000	028-13259-000	028-13281-000
2	44	TUBING, SILICONE	028-12499-000	028-12499-000	028-12499-000
	45				
*	46	DIAGRAM, WIRING	035-19914-002	035-19914-002	035-19914-002
*	47	HARNESS, MAIN WIRING	373-19870-011	373-19870-021	373-19870-021
*	48	FERRULE (3 Req'd)	023-20541-000	023-20541-000	023-20541-000
*	49	GROMMET (3 Req'd)	028-14740-000	028-14740-000	028-14740-000
	50				
*	51	MOUNT, MOTOR	073-19831-001	073-19831-001	073-19831-001
*	52	GROMMET, 1/2" DIA.	025-30823-000	025-30823-000	025-30823-000
2	53	KNOB, DOOR (4 Req'd)	026-39490-000	026-39490-000	026-39490-000
		KNOB, DOOR (4 Req'd) (Magnet)	029-24412-000	029-24412-000	029-24412-000
	54				
	55				
	56				
*	57	HARNESS, MOTOR WIRING (16 Pin)	373-19870-031	373-19870-031	373-19870-031
*	58	HARNESS, JUMPER	373-19870-032	373-19870-032	373-19870-032
*	59	MAGNET, DOOR	029-24413-000	029-24413-000	029-24413-000

NOTE: *Not Shown

New replacement parts shown in **bold** face type at the first printing of parts list dated 11/06.

Major components and suggested stocking items are shown with shaded item number.

"<" Across from row indicates a change in that row.



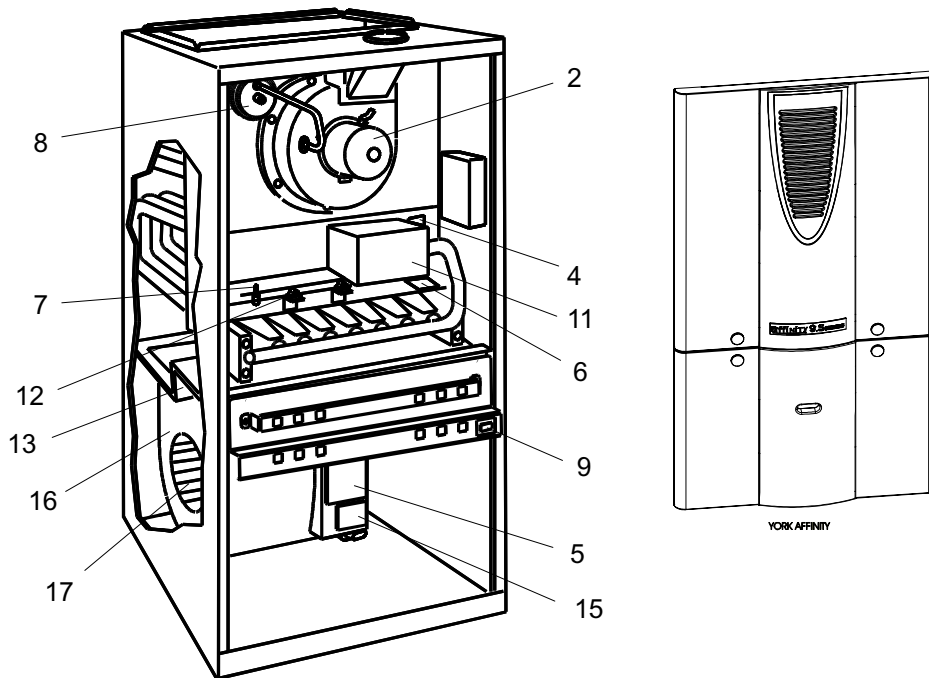


Figure 1: 2 STAGE-VARIABLE SPEED UPFLOW/HORIZONTAL NATURAL GAS FURNACES (80%)

FIG	ITEM	DESCRIPTION	PV8B16N100UH11A	PV8C20N100UH11A	PV8C20N120UH11A
			PV8B16L100UH11A	PV8C20L100UH11A	PV8C20L120UH11A
			(5 BURNER)	(5 BURNER)	(6 BURNER)
MOTORS					
*	1A	COMPLETE MOTOR/MODULE (Programmed)	024-31947-025	024-31941-028	024-31941-029
*	1B	MOTOR, BLOWER (less module)	024-31947-000	024-31941-000	024-31941-000
*	1C	MODULE, ECM MOTOR (Programmed)	324-32014-045	324-32015-049	324-32015-050
1	2	MOTOR,VENTOR ASS'Y	024-27653-000	024-27653-000	024-27653-000
ELECTRICAL					
	3				
1	4	CONTROL, HIGH LIMIT	025-29041-005	025-29041-005	025-38970-000
1	5	CONTROL,FURNACE [FC]	031-09117-000	031-09117-000	031-09117-000
1	6	IGNITER	025-32625-000	025-32625-000	025-32625-000
1,3	7	SENSOR, FLAME	025-27773-000	025-27773-000	025-27773-000
1	8	SWITCH, AIR PRESSURE [1LP]	024-35275-000	024-35275-000	024-35276-000
1	9	SWITCH, DOOR [SW]	024-27640-000	024-27640-000	024-27640-000
*	10	TRANSFORMER	025-30889-000	025-30889-000	025-30889-000
1	11	VALVE, GAS	025-38915-000	025-38915-000	025-38915-000
1,3	12	SWITCH, FLAME ROLL-OUT [ROS 3]	025-27747-018	025-27747-018	025-27747-018
3	12A	SWITCH, FLAME ROLL-OUT (2 ea.) [ROS1,2]	025-27792-009	025-27792-009	025-27792-009
1	13	CONTROL, AUX. LIMIT(2 ea.) [LS2,LS3]	025-30321-000	025-30321-000	025-30321-000
*	14	FUSE (ARO 3)	025-32746-026	025-32746-026	025-32746-026
1	15	CFM SELECTION BOARD	031-09118-000	031-09118-000	031-09118-000
AIR MOVING					
1	16	HOUSING, BLOWER	373-17829-001	373-17829-001	373-17829-001
1	17	WHEEL, BLOWER	026-19654-014	026-19654-014	026-19654-014

NOTE: *Not Shown

New replacement parts shown in **bold** face type at the first printing of parts list dated 11/06.

Major components and suggested stocking items are shown with shaded item number.



"<" Across from row indicates a change in that row.

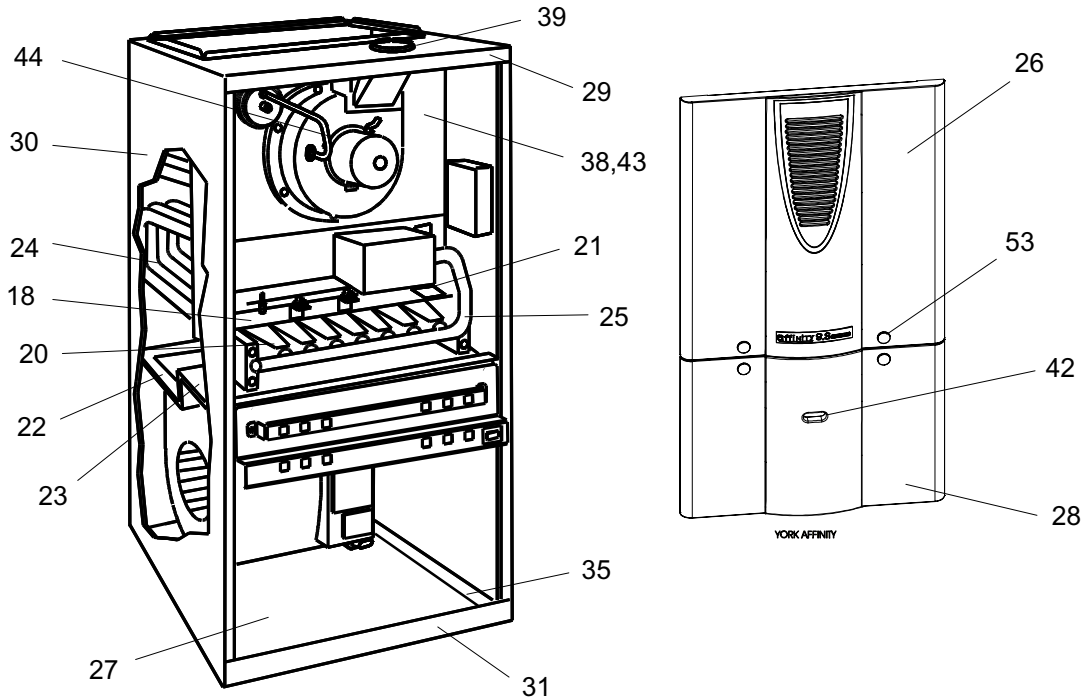


Figure 2: 2 STAGE-VARIABLE SPEED UPFLOW/HORIZONTAL NATURAL GAS FURNACES (80%)

FIG	ITEM	DESCRIPTION	PV8B16N100UH11A	PV8C20N100UH11A	PV8C20N120UH11A
			PV8B16L100UH11A (5 BURNER)	PV8C20L100UH11A (5 BURNER)	PV8C20L120UH11A (6 BURNER)
FABRICATED PARTS					
	18				
*	19	BAFFLE, FLUE	073-17775-003	073-17775-003	073-17775-004
2,3	20	BURNER, MAIN GAS	029-20482-000	029-20482-000	029-20482-000
2,3	21	BRACKET, IGNITER	073-17403-000	073-17403-000	073-17403-000
2	22	DECK, BLOWER (Rear)	073-17503-002	073-12082-001	073-12082-001
2	23	DECK, FRONT	073-17497-000	073-17498-000	073-17498-000
2	24	HEAT EXCHANGER ASS'Y	373-17477-005	373-17477-010	373-17477-006
2,3	25	MANIFOLD, GAS	029-22114-004	029-22114-004	029-22114-005
2	26	PANEL, UPPER ACCESS (Burner)	373-19812-425	373-19816-425	373-19816-425
2	27	PAN, BASE	073-19813-090	073-19816-090	073-19816-090
2	28	PANEL, BLOWER ACCESS	373-19812-415	373-19816-415	373-19816-415
2	29	PANEL, TOP	073-19862-062	073-19862-063	073-19862-063
2	30	WRAPPER, CABINET	373-19862-002	373-19862-003	373-19862-003
2	31	CHANNEL, TOE PLATE	073-19862-052	073-19862-053	073-19862-053
	32				
	33				
*	34	RACK, FILTER	026-38509-000	026-38509-000	026-38509-000

FIG	ITEM	DESCRIPTION	PV8B16N100UH11A	PV8C20N100UH11A	PV8C20N120UH11A
			PV8B16L100UH11A	PV8C20L100UH11A	PV8C20L120UH11A
			(5 BURNER)	(5 BURNER)	(6 BURNER)
FABRICATED PARTS					
2	35	FRAME, SIDE BASE (2 Req'd)	073-19811-085	073-19811-085	073-19811-085
3	36	BRACKET, ROLL-OUT SWITCH	073-12033-000	073-12033-000	073-12033-000
3	37	ORIFICE, BURNER (Natural #45)	029-21182-045	029-21182-045	029-21182-045
2	38	PLATE, RESTRICTOR	073-17488-209	073-17787-209	073-17489-256
2	39	COLLAR, FLUE	073-17507-000	073-17507-000	073-17507-000
*	40	LO-NOX SCREEN ("L" Models Only)	026-35452-000	026-35452-000	026-35452-000

NOTE: *Not Shown

New replacement parts shown in **bold** face type at the first printing of parts list dated 11/06.

Major components and suggested stocking items are shown with shaded item number.

"<" Across from row indicates a change in that row.

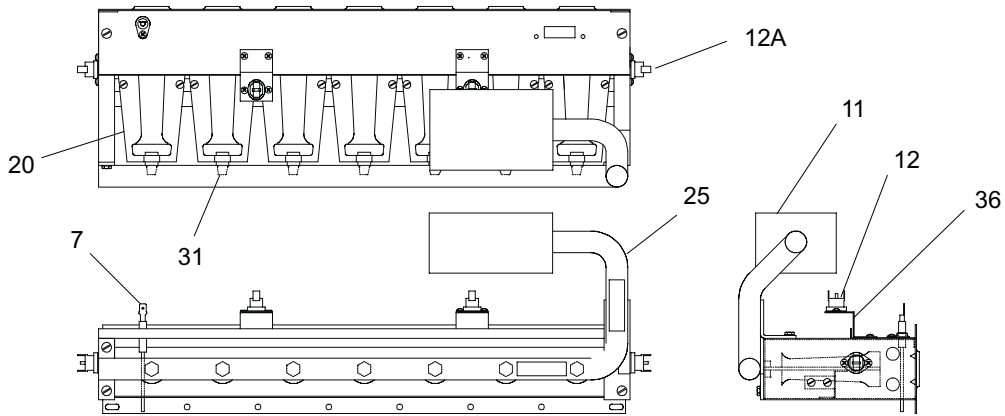


Figure 3: GAS CONTROLS

FIG	ITEM	DESCRIPTION	PV8B16N100UH11A	PV8C20N100UH11A	PV8C20N120UH11A
			PV8B16L100UH11A	PV8C20L100UH11A	PV8C20L120UH11A
			(5 BURNER)	(5 BURNER)	(6 BURNER)
MISCELLANEOUS					
*	41	FILTER (.75 x 16 x 25)	026-38508-000	026-38508-000	026-38508-000
2	42	SIGHT GLASS, OVAL	025-38899-000	025-38899-000	025-38899-000
2	43	GASKET, RESTRICTOR PLATE	028-13260-000	028-13283-000	028-13261-000
2	44	TUBING, SILICONE	028-12499-000	028-12499-000	028-12499-000
	45				
*	46	DIAGRAM, WIRING	035-19914-002	035-19914-002	035-19914-002
*	47	HARNESS, MAIN WIRING	373-19870-011	373-19870-011	373-19870-011
*	48	FERRULE (3 Req'd)	023-20541-000	023-20541-000	023-20541-000
*	49	GROMMET (3 Req'd)	028-14740-000	028-14740-000	028-14740-000
	50				
*	51	MOUNT, MOTOR	073-19831-001	073-19831-001	073-19831-001
*	52	GROMMET, 1/2" DIA.	025-30823-000	025-30823-000	025-30823-000
2	53	KNOB, DOOR (4 Req'd)	026-39490-000	026-39490-000	026-39490-000
		KNOB, DOOR (4 Req'd) (Magnet)	029-24412-000	029-24412-000	029-24412-000
	54				
	55				
	56				
*	57	HARNESS, MOTOR WIRING (16 Pin)	373-19870-031	373-19870-031	373-19870-031
*	58	HARNESS, JUMPER	373-19870-032	373-19870-032	373-19870-032
*	59	MAGNET, DOOR	029-24413-000	029-24413-000	029-24413-000

NOTE: *Not Shown

New replacement parts shown in **bold** face type at the first printing of parts list dated 11/06.

Major components and suggested stocking items are shown with shaded item number.

"<" Across from row indicates a change in that row.



Note: These furnaces were manufactured with two different style front access panels, items # 26 and 28. The original design required unscrewing the door knobs (item #53) to remove the panels. On the newer design the panels are held in place with magnets and the knobs are only used for pulling off the panels. Please check the style panels the furnace is supplied with before ordering parts. New design parts have "magnet" as part of the description.

TO ORDER AUTHORIZED FACTORY REPLACEMENT PARTS - Contact your Source1 HVAC Parts Distributor or visit our website at www.Source1Parts.com for a Distributor and Dealer listing.

Subject to change without notice. Printed in U.S.A.
Copyright © by York International Corp. 2006. All rights reserved.

035-20355-001 Rev. E (1106)
Supersedes: 035-20355-001 Rev. D (1105)

**Unitary
Products
Group**

**5005
York
Drive**

**Norman
OK
73069**