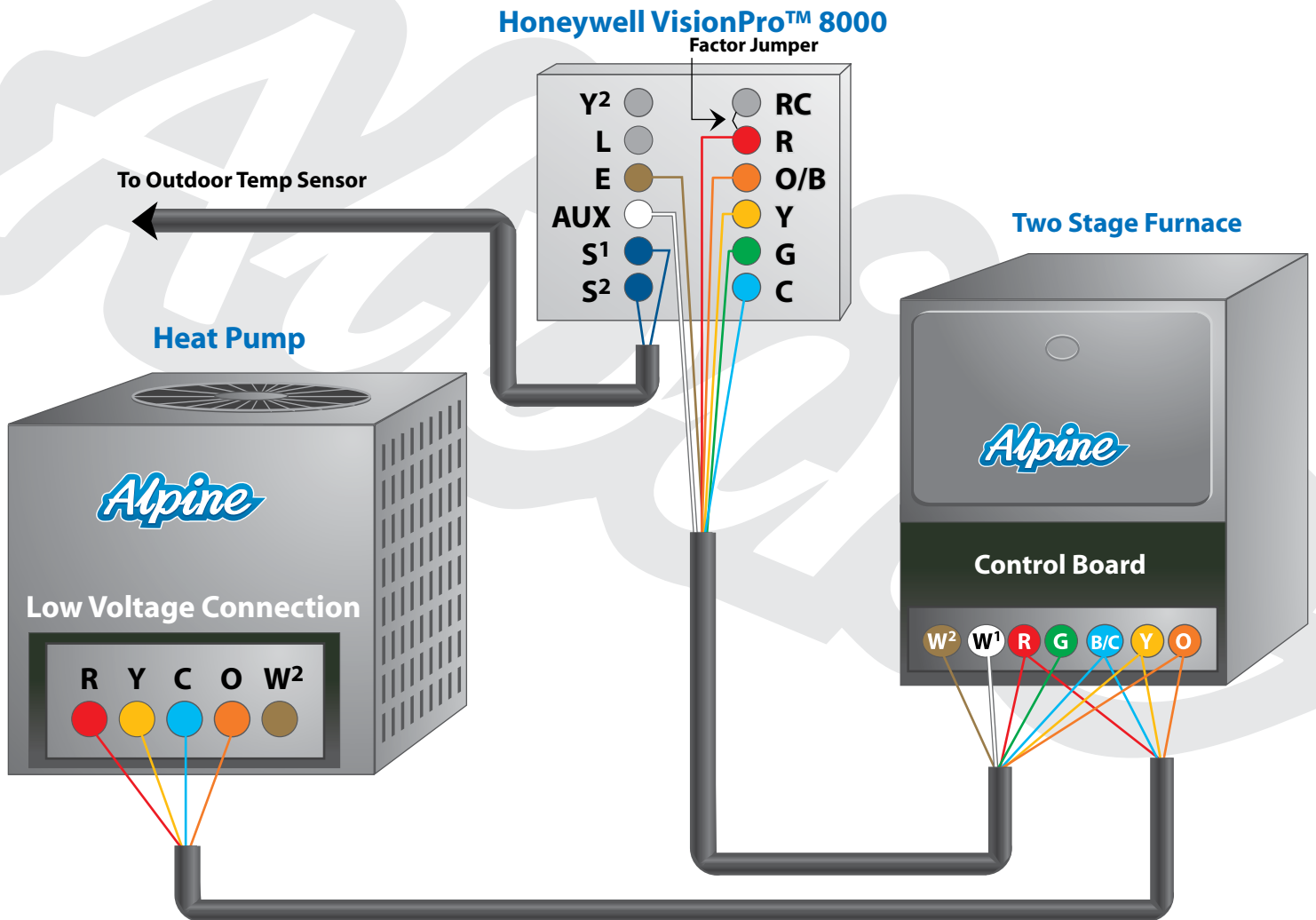


AC Heat Pump with Two Stage Gas Furnace and Honeywell VisionPro 8000 as All Fuel Kit Control Wiring

- R ● 24 Volt+
- G ● Fan Only Operation
- C ● Common
- Y ● Air Conditioning–Heat Pump
- W¹/Aux ○ 1st Gas Stage Heat
- W²/E ● 2nd Gas Stage Heat
- O ● Reversing Valve
- S¹ ● Outdoor Temp Sensor
- S² ● Outdoor Temp Sensor



NOTE: Some AC systems will have a blue wire with a pink stripe in place of the yellow or Y wire.

Wire Size: 18 Gauge

This diagram is to be used as a reference for the low voltage control wiring of your heating and AC system. Always refer to your thermostat or equipment installation guides to verify proper wiring.