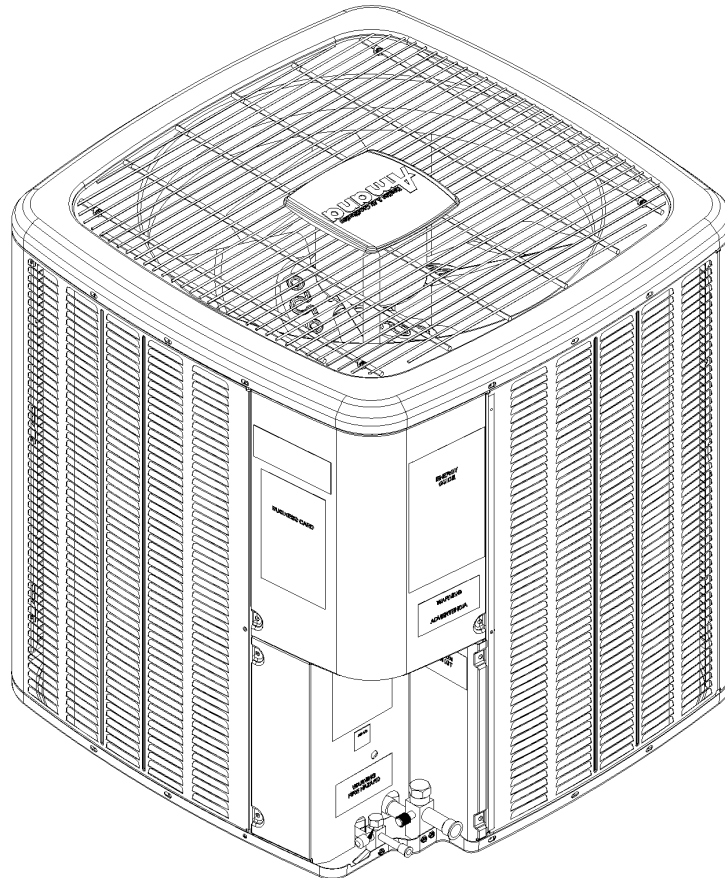


# REPAIR PARTS

## ASX13 R410A Remote Condensing Unit

ASX130181AA  
ASX130241AA  
ASX130301AA  
ASX130361AA  
ASX130421AA  
ASX130481AA  
ASX130601AA



Amana is a trademark of Maytag Corporation and used under license to Goodman Company, L.P. All rights reserved.

This manual is to be used by qualified technicians only.

[www.amana-hac.com](http://www.amana-hac.com)

Copyright © 2008 Goodman Company, L.P.

RP-502  
May 2008

# Important Information

---

## Index

Functional Parts List .....	3
Illustration and Parts .....	4 - 9

*Views shown are for parts illustrations only, not servicing procedures.*

### Text Codes:

AR - As Required

NA - Not Available

NS - Not Shown

00000000 - See Note

QTY - Quantity Example (QTY 3) (If Quantity not shown, Quantity = 1)

M - Model Example (M1) (If M Code not shown, then part is used on all Models)

### Expanded Model Nomenclature:

Example M1 - Model#1 M2 - Model#2 M3 - Model#3
---

Goodman Company, L.P. is not responsible for personal injury or property damage resulting from improper service. Review all service information before beginning repairs.

Warranty service must be performed by an authorized technician, using authorized factory parts. If service is required after the warranty expires, Goodman Company, L.P. also recommends contacting an authorized technician and using authorized factory parts.

Goodman Company, L.P. reserves the right to discontinue, or change at any time, specifications or designs without notice or without incurring obligations.

For assistance within the U.S.A. contact:

Consumer Affairs Department  
Goodman Company, L.P.  
7401 Security Way  
Houston, Texas 77040  
877-254-4729-Telephone  
713-863-2382-Facsimile

For assistance outside the U.S.A. contact:

International Division  
Goodman Company, L.P.  
7401 Security Way  
Houston, Texas 77040  
713-861-2500-Telephone  
713-863-2382-Facsimile

# Functional Parts

## Part

## No: Description:

---

CAP050300370RSS	CAPACITOR 5/30/370V [CONTROL BOX] (M1, M2)
CAP050400370RSS	CAPACITOR 5/40/370V [CONTROL BOX] (M3)
CAP050450370RSS	CAPACITOR 5/45/370V [CONTROL BOX] (M4, M5, M6)
CAP050700370RTS	CAPACITOR 5/70/370V [CONTROL BOX] (M7)
543001000S	COMFORT ALERT MODULE
ZP16K5EPFV830	COMPRESSOR 15500, 208/230/60/1 (M1)
ZP20K5EPFV830	COMPRESSOR 20000, 208/230/60/1 (M2)
ZP24K5EPFV830	COMPRESSOR 24000, 208/230/60/1 (M3)
ZP32K3EPFV930	COMPRESSOR 31100, 208/230/60/1 (M4)
ZP34K5EPFV830	COMPRESSOR 34500, 208/230/60/1 (M5)
ZP39K5EPFV830	COMPRESSOR 39000, 208/230/60/1 (M6)
ZP51K5EPFV830	COMPRESSOR 51000, 208/230/60/1 (M7)
0131M00015PS	COND MOTOR 1/4 HP, 2 SP, 8 PL (M6, M7)
0131M00017PS	COND MOTOR 1/6 HP, 2 SP, 8 PL (M1, M2, M3, M4, M5)
CONT2P030024VS	CONTACTOR 30 AMP, 2P, 24V
0130M00011P	LOW AMBIENT THERMOSTAT, SPDT

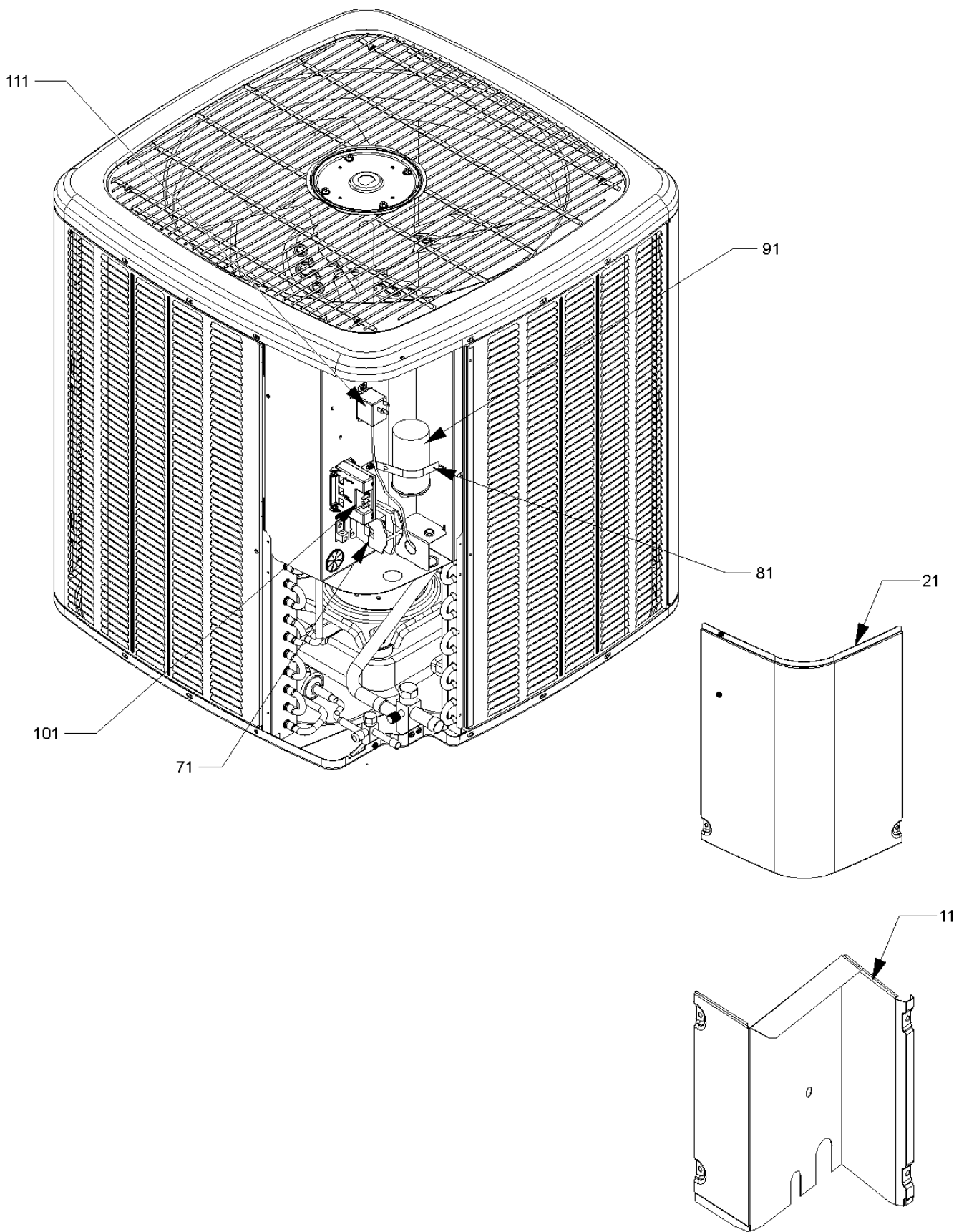
### SPECIAL PARTS

0161R00008P	AMANA LOGO CAP
0161R00010P	AMANA NAMEPLATE
IO-258E	GSC 13 SEER A/C
RP-502	REPAIR PARTS MANUAL

### Expanded Model Nomenclature

M1 - ASX130181AA
M2 - ASX130241AA
M3 - ASX130301AA
M4 - ASX130361AA
M5 - ASX130421AA
M6 - ASX130481AA
M7 - ASX130601AA

# Control Cover / Control Box



# Control Cover / Control Box

Ref. Part No:	No:	Description:	Ref. Part No:	No:	Description:
---------------	-----	--------------	---------------	-----	--------------

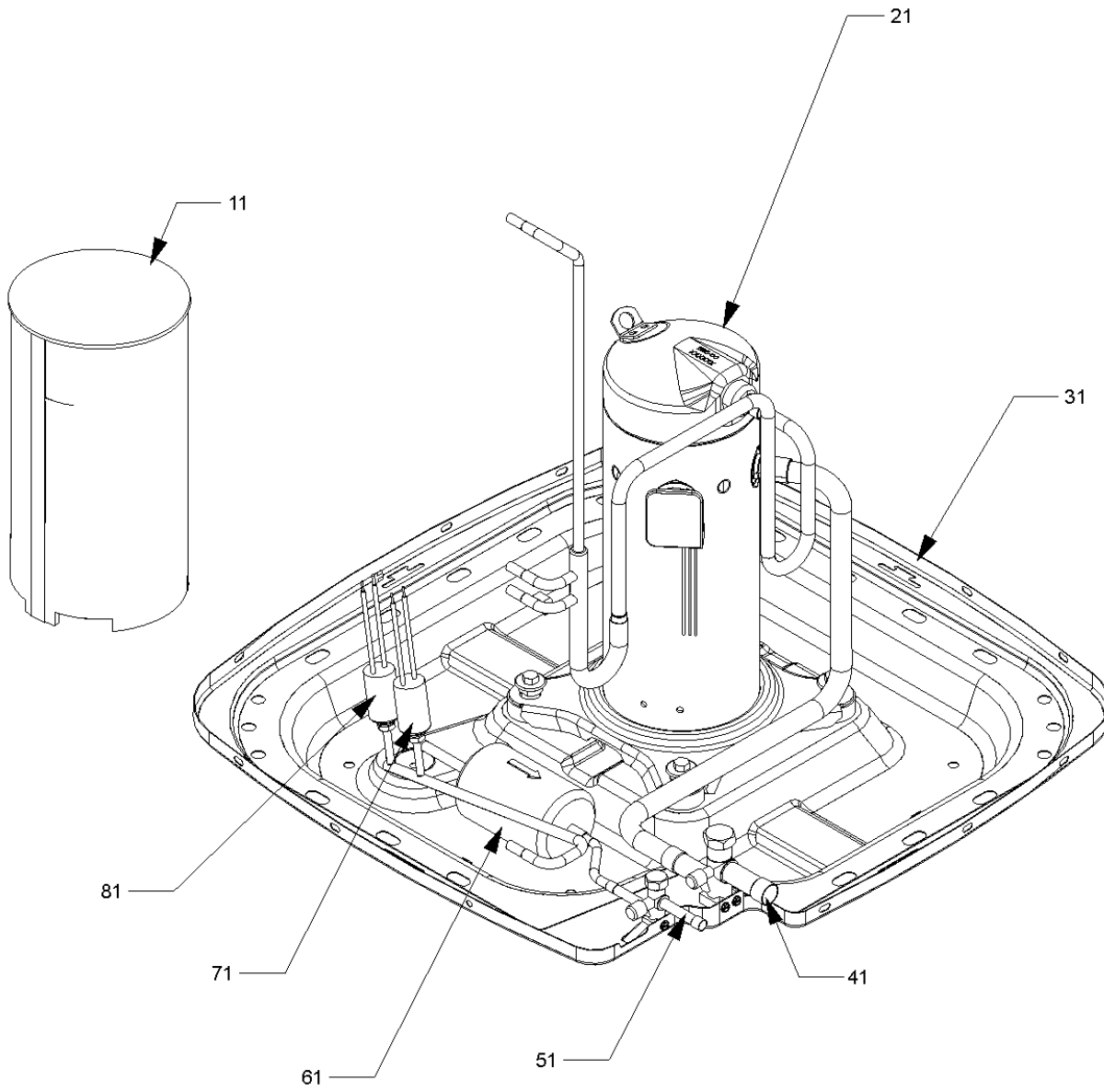
Image 1:

11	4400201PDG	LOWER ACCESS PANEL (M1, M2, M3, M4)
11	4400202PDG	LOWER ACCESS PANEL (M5)
11	4400205PDG	LOWER ACCESS PANEL (M6, M7)
21	0121R00053PDG	CONTROL COVER
71	CONT2P030024VS	CONTACTOR 30 AMP, 2P, 24V
81	4400065	CAPACITOR STRAP
91	CAP050300370RSS	CAPACITOR 5/30/370V [CONTROL BOX] (M1, M2)
91	CAP050400370RSS	CAPACITOR 5/40/370V [CONTROL BOX] (M3)
91	CAP050450370RSS	CAPACITOR 5/45/370V [CONTROL BOX] (M4, M5, M6)
91	CAP050700370RTS	CAPACITOR 5/70/370V [CONTROL BOX] (M7)
101	543001000S	COMFORT ALERT MODULE
111	0130M00011P	LOW AMBIENT THERMOSTAT, SPDT
NS	0161R00010P	AMANA NAMEPLATE

Expanded Model Nomenclature

M1 - ASX130181AA
M2 - ASX130241AA
M3 - ASX130301AA
M4 - ASX130361AA
M5 - ASX130421AA
M6 - ASX130481AA
M7 - ASX130601AA

# Compressor / Tubing Assembly



# Compressor / Tubing Assembly

Ref. Part No: No:	Description:	Ref. Part No: No:	Description:
-------------------	--------------	-------------------	--------------

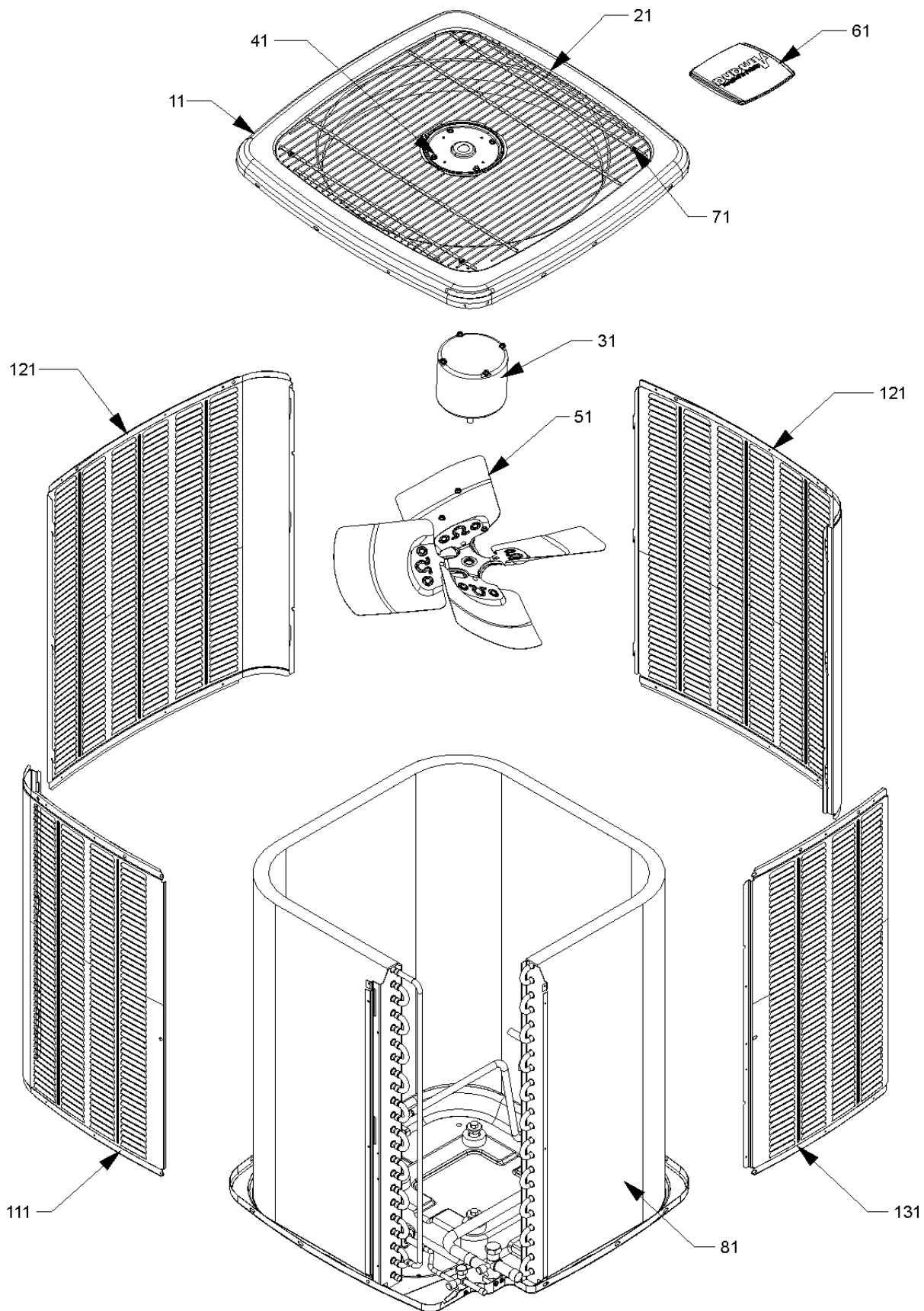
Image 1:

11	B1488806S	COMPRESSOR SOUND BLANKET (M7)
11	B1488807S	COMPRESSOR SOUND BLANKET (M4, M5)
11	B1488810S	COMPRESSOR SOUND BLANKET (M1, M2, M3)
11	B1488811S	COMPRESSOR SOUND BLANKET (M6)
21	ZP16K5EPFV830	COMPRESSOR 15500, 208/230/60/1 (M1)
21	ZP20K5EPFV830	COMPRESSOR 20000, 208/230/60/1 (M2)
21	ZP24K5EPFV830	COMPRESSOR 24000, 208/230/60/1 (M3)
21	ZP32K3EPFV930	COMPRESSOR 31100, 208/230/60/1 (M4)
21	ZP34K5EPFV830	COMPRESSOR 34500, 208/230/60/1 (M5)
21	ZP39K5EPFV830	COMPRESSOR 39000, 208/230/60/1 (M6)
21	ZP51K5EPFV830	COMPRESSOR 51000, 208/230/60/1 (M7)
31	0121R00005PDG	BASE PAN 26" (M1, M2, M3)
31	0121R00006PDG	BASE PAN 29" (M4, M5, M6)
31	0121R00007PDG	BASE PAN 35" (M7)
41	0151R00002P	3/4" SERVICE VALVE OPEN LEFT (M1, M2, M3, M4)
41	0151R00003P	7/8" SERVICE VALVE OPEN LEFT (M5, M6, M7)
51	B12825171	3/8" SERVICE VALVE
61	B5134711	FILTER DRIER
71	20322603	CUT-OUT SWITCH, HIGH PRESSURE
81	0130R00001	CUT-OUT SWITCH, LOW PRESSURE
NS	B1339533	COMPRESSOR GROMMET (QTY 4)
NS	0159R00000P	COMPRESSOR SCROLL HARNESS (M1, M2, M3)
NS	0159R00001P	COMPRESSOR SCROLL HARNESS (M4, M5)
NS	0159R00002P	COMPRESSOR SCROLL HARNESS (M6, M7)
NS	B1789849	FLOW CHECK PISTON KIT (M1)
NS	B1789853	FLOW CHECK PISTON KIT (M2)
NS	B1789859	FLOW CHECK PISTON KIT (M3)
NS	B1789868	FLOW CHECK PISTON KIT (M4)
NS	B1789874	FLOW CHECK PISTON KIT (M5)
NS	B1789880	FLOW CHECK PISTON KIT (M6)
NS	B1789892	FLOW CHECK PISTON KIT (M7)
NS	M0221641	TF SHOULDER SCREW (QTY 4)

Expanded Model Nomenclature

M1 - ASX130181AA
M2 - ASX130241AA
M3 - ASX130301AA
M4 - ASX130361AA
M5 - ASX130421AA
M6 - ASX130481AA
M7 - ASX130601AA

# Cabinet Top / Side Panels / Condenser





# Cabinet Top / Side Panels / Condenser

Ref. Part No:	No:	Description:	Ref. Part No:	No:	Description:
<i>Image 1:</i>			Expanded Model Nomenclature		
11	0121R00009PDG	VENTURI TOP PANEL 26" (M1, M2, M3)	M1 - ASX130181AA		
11	0121R00011PDG	VENTURI TOP PANEL 29" (M4, M5)	M2 - ASX130241AA		
11	0121R00011PDG	VENTURI TOP PANEL 29" (M6)	M3 - ASX130301AA		
11	0121R00013PDG	VENTURI TOP PANEL 35" (M7)	M4 - ASX130361AA		
21	0152R00000P	WIRE GRILL 26" (M1, M2, M3)	M5 - ASX130421AA		
21	0152R00008	WIRE GRILL 29" (M4, M5, M6)	M6 - ASX130481AA		
21	0152R00009	WIRE GRILL 35" (M7)	M7 - ASX130601AA		
31	0131M00015PS	COND MOTOR 1/4 HP, 2 SP, 8 PL (M6, M7)			
31	0131M00017PS	COND MOTOR 1/6 HP, 2 SP, 8 PL (M1, M2, M3, M4, M5)			
41	M0280801	HEX NUT (QTY 4)			
51	0150M00009S	FAN BLADE 20" (M1, M2, M3)			
51	0150M00008S	FAN BLADE 22" TNT2203-25 (M4, M5)			
51	0150M00017	FAN BLADE 26" (M7)			
51	B1086765S	FAN BLADE TYPE 3 (M6)			
61	0161R00008P	AMANA LOGO CAP			
71	0163M00003P	SCREW #10 X 1/2, A, SLOT, SR, BLACK (M1, M2, M3, M6, M7)			
71	B1393530	SCREW HWH,10 X 1/2, A, YZD, SLOT, SR (M4, M5)			
81	0201R00130S	TUBING ASSY, COND COIL (M4)			
81	0201R00132S	TUBING ASSY, COND COIL (M5)			
81	0201R00134S	TUBING ASSY, COND COIL (M7)			
81	0201R00144S	TUBING ASSY, COND COIL (M1, M2, M3)			
81	0201R00146S	TUBING ASSY, COND COIL (M6)			
111	4400402PLGB	LOUVERED SIDE PANEL-HORIZONTAL (M1, M2, M3)			
111	4400417PLGB	LOUVERED SIDE PANEL-HORIZONTAL (M4)			
111	4400457PLGB	LOUVERED SIDE PANEL-HORIZONTAL (M5)			
111	4400458PLGB	LOUVERED SIDE PANEL-HORIZONTAL (M6)			
111	4400464PLGB	LOUVERED SIDE PANEL-HORIZONTAL (M7)			
121	4400407PLGB	LOUVERED SIDE PANEL-HORIZONTAL (M1, M2, M3)			
121	4400424PLGB	LOUVERED SIDE PANEL-HORIZONTAL (M4)			
121	4400459PLGB	LOUVERED SIDE PANEL-HORIZONTAL (M5)			
121	4400460PLGB	LOUVERED SIDE PANEL-HORIZONTAL (M6)			
121	4400466PLGB	LOUVERED SIDE PANEL-HORIZONTAL (M7)			
131	4400412PLG	LOUVERED SIDE PANEL-HORIZONTAL (M1, M2, M3)			
131	4400431PLG	LOUVERED SIDE PANEL-HORIZONTAL (M4)			
131	4400461PLG	LOUVERED SIDE PANEL-HORIZONTAL (M5)			
131	4400462PLG	LOUVERED SIDE PANEL-HORIZONTAL (M6)			
131	4400468PLG	LOUVERED SIDE PANEL-HORIZONTAL (M7)			
NS	0161R00000P	CONDUIT (M1, M2, M3)			
NS	0161R00002P	CONDUIT (M4, M5, M6)			
NS	0161R00004P	CONDUIT (M7)			