

Contents

Nomenclature 2
 Product Specifications..... 3
 Expanded Cooling Data 4
 AHRI Ratings 20
 Dimensions 61
 Wiring Diagrams 62
 Accessories 64



Standard Features

- High-efficiency Copeland® scroll compressor
- High-density foam compressor sound blanket
- Copeland CoreSense diagnostics
- Fully charged for 15' of tubing length
- Factory-installed filter drier
- Factory-installed high and low pressure switches
- Copper tube/ enhanced aluminum fin coil
- Sweat connection service valves with easy access to gauge ports
- AHRI Certified; ETL Listed

Cabinet Features

- Amana® brand sound control top design
- Wire fan discharge grille
- Steel louver coil guard
- Baked-on powder-paint finish
- Rust-resistant coated screws
- Compact footprint
- Top and side maintenance access
- Single-panel access to controls with space provided for field-installed accessories
- When properly anchored, meets the 2010 Florida Building Code unit integrity requirements for hurricane-type winds (Anchor bracket kits available.)



* Complete warranty details available from your local dealer or at www.amana-hac.com. To receive the Lifetime Unit Replacement Limited Warranty (good for as long as you own your home) and 10-Year Parts Limited Warranty, online registration must be completed within 60 days of installation. Online registration is not required in California or Québec.

NOMENCLATURE

		A	S	X	16	036	1	A	A								
		1	2	3	4,5	6,7,8	9	10	11								
Brand	A		S		X		16		036		1		A		A		Engineering *
	Amana® Brand		Split System		Condenser R-410A		Heat Pump R-410A		13 SEER		16 SEER		18 SEER		24 SEER		Major & Minor Revision
Product Category	S		X		16		036		1		A		A				* Neither used for order entry or inventory management.
Unit Type	X		Z		13		14		18		24		30		36		Electrical
	Condenser R-410A		Heat Pump R-410A		13 SEER		14 SEER		18 SEER		24 SEER		30 SEER		36 SEER		1 208/230 V, 1 Phase, 60 Hz
Efficiency	13		14		18		24		30		36						2 220/240 V, 1 Phase, 50 Hz
	13 SEER		14 SEER		18 SEER		24 SEER		30 SEER		36 SEER						3 208/230 V, 3 Phase, 60 Hz
	16 SEER		18 SEER														4 460 V, 3 Phase, 60 Hz
																	5 380/415 V, 3 Phase, 50 Hz
																	Nominal Capacity
																	018 1½ Tons
																	024 2 Tons
																	030 2½ Tons
																	036 3 Tons
																	042 3½ Tons
																	048 4 Tons
																	060 5 Tons
																	061 5 Tons



SPECIFICATIONS

	ASX16 0181F*	ASX16 0241F*	ASX16 0301F*	ASX16 0361F*	ASX16 0421F*	ASX16 0481F*	ASX16 0601F*	ASX16 0611F*
CAPACITIES								
Nominal Cooling (BTU/h)	18,000	23,600	29,000	34,800	42,000	45,500	54,000	57,000
Decibels	71.5	71.5	71.5	71.5	73	73	73	73
COMPRESSOR								
RLA	9.0	13.5	12.8	14.1	17.9	17.9	21.4	25
LRA	46	58.3	64	77	112	112	135	134
CONDENSER FAN MOTOR								
Horsepower (RPM)	1/6	1/6	1/6	1/6	1/6	1/4	1/3	1/4
FLA	1.10	1.10	1.10	1.10	1.10	1.50	2.80	1.50
REFRIGERATION SYSTEM								
Refrigerant Line Size ¹								
Liquid Line Size ("O.D.)	3/8"	3/8"	3/8"	3/8"	3/8"	3/8"	3/8"	3/8"
Suction Line Size ("O.D.)	3/4"	3/4"	7/8"	7/8"	7/8"	7/8"	7/8"	7/8"
Refrigerant Connection Size								
Liquid Valve Size ("O.D.)	3/8"	3/8"	3/8"	3/8"	3/8"	3/8"	3/8"	3/8"
Suction Valve Size ("O.D.)	3/4"	3/4"	7/8"	7/8"	7/8"	7/8"	7/8"	7/8"
Valve Type	Sweat	Sweat	Sweat	Sweat	Sweat	Sweat	Sweat	Sweat
Refrigerant Charge	80	89	100	109	120	152	290	134
ELECTRICAL DATA								
Voltage-Phase (60 Hz)	208/230-1	208/230-1	208/230-1	208/230-1	208/230-1	208/230-1	208/230-1	208/230-1
Minimum Circuit Ampacity ²	12.4	18.0	17.1	18.7	23.5	23.9	28.3	32.8
Max. Overcurrent Protection ³	20	30	25	30	40	40	45	50
Min / Max Volts	197/253	197/253	197/253	197/253	197/253	197/253	197/253	197/253
Electrical Conduit Size	1/2" or 3/4"	1/2" or 3/4"	1/2" or 3/4"	1/2" or 3/4"	1/2" or 3/4"	1/2" or 3/4"	1/2" or 3/4"	1/2" or 3/4"
Equipment Weight (lbs)	145	142	149	162	206	219	279	291
Ship Weight (lbs)	163	160	167	180	228	241	301	314

¹ Tested and rated in accordance with ARI Standard 210/240

² Wire size should be determined in accordance with National Electrical Codes; extensive wire runs will require larger wire sizes

³ Must use time-delay fuses or HACR-type circuit breakers of the same size as noted.

NOTES

- Always check the S&R plate for electrical data on the unit being installed.
- Installer will need to supply 7/8" to 1 1/8" adapters for suction line connections (5-ton units only).
- Unit is charged with refrigerant for 15' of 3/8" liquid line. System charge must be adjusted per Installation Instructions Final Charge Procedure.
- Installation of these units requires the specified TXV Kit to be installed on the indoor coil.
THE SPECIFIED TXV IS DETERMINED BY THE OUTDOOR UNIT, NOT THE INDOOR COIL.

EXPANDED COOLING DATA — ASX160181F* / CA*F3636*6D* +TXV

IDB	AIRFLOW	OUTDOOR AMBIENT TEMPERATURE												ENTERING INDOOR WET BULB TEMPERATURE															
		65°F				75°F				85°F				95°F				105°F				115°F							
		59	63	67	71	59	63	67	71	59	63	67	71	59	63	67	71	59	63	67	71	59	63	67	71				
70	MBh	15.8	16.4	17.9	-	15.4	16.0	17.5	-	15.1	15.6	17.1	-	14.7	15.2	16.7	-	14.0	14.5	15.9	-	14.0	14.5	15.9	-	12.9	13.4	14.7	-
	S/T	0.68	0.57	0.40	-	0.71	0.59	0.41	-	0.73	0.61	0.42	-	0.75	0.63	0.43	-	0.78	0.65	0.45	-	0.78	0.65	0.45	-	0.78	0.66	0.45	-
	ΔT	19	16	12	-	19	17	13	-	19	17	13	-	19	17	13	-	19	16	13	-	19	16	13	-	18	15	12	-
	kW	1.18	1.20	1.23	-	1.26	1.28	1.31	-	1.32	1.35	1.38	-	1.38	1.41	1.45	-	1.43	1.46	1.50	-	1.43	1.46	1.50	-	1.47	1.50	1.54	-
	Amps	4.3	4.3	4.5	-	4.6	4.7	4.8	-	4.9	5.0	5.2	-	5.2	5.4	5.5	-	5.6	5.7	5.9	-	5.6	5.7	5.9	-	5.9	6.0	6.2	-
	HI PR	199	214	226	-	223	240	254	-	254	273	289	-	289	311	329	-	326	350	370	-	326	350	370	-	360	387	409	-
	LO PR	101	108	118	-	107	114	125	-	111	119	129	-	117	125	136	-	123	130	142	-	123	130	142	-	127	135	147	-
	MBh	17.1	17.7	19.4	-	16.7	17.3	19.0	-	16.3	16.9	18.5	-	15.9	16.5	18.1	-	15.1	15.7	17.2	-	15.1	15.7	17.2	-	14.0	14.5	15.9	-
	S/T	0.71	0.59	0.41	-	0.73	0.61	0.43	-	0.75	0.63	0.44	-	0.78	0.65	0.45	-	0.81	0.67	0.47	-	0.81	0.67	0.47	-	0.81	0.68	0.47	-
	ΔT	17	15	11	-	17	15	11	-	17	15	11	-	18	15	12	-	17	15	11	-	17	15	11	-	16	14	11	-
kW	1.21	1.23	1.26	-	1.28	1.31	1.34	-	1.35	1.38	1.41	-	1.41	1.44	1.48	-	1.46	1.49	1.53	-	1.46	1.49	1.53	-	1.51	1.54	1.58	-	
Amps	4.4	4.5	4.6	-	4.7	4.8	4.9	-	5.1	5.2	5.3	-	5.4	5.5	5.7	-	5.7	5.8	6.0	-	5.7	5.8	6.0	-	6.0	6.2	6.4	-	
HI PR	205	221	233	-	230	248	262	-	262	282	298	-	298	321	339	-	336	361	381	-	336	361	381	-	371	399	421	-	
LO PR	105	111	122	-	111	118	128	-	115	122	133	-	121	128	140	-	126	135	147	-	126	135	147	-	131	139	152	-	
MBh	17.1	17.7	19.4	-	16.7	17.3	19.0	-	16.3	16.9	18.5	-	15.9	16.5	18.1	-	15.1	15.7	17.2	-	15.1	15.7	17.2	-	14.0	14.5	15.9	-	
S/T	0.71	0.59	0.41	-	0.73	0.61	0.43	-	0.75	0.63	0.44	-	0.78	0.65	0.45	-	0.81	0.67	0.47	-	0.81	0.67	0.47	-	0.81	0.68	0.47	-	
ΔT	17	14	11	-	17	14	11	-	17	15	11	-	17	15	11	-	17	14	11	-	17	14	11	-	16	13	10	-	
kW	1.21	1.23	1.26	-	1.28	1.31	1.34	-	1.35	1.38	1.41	-	1.41	1.44	1.48	-	1.46	1.49	1.53	-	1.46	1.49	1.53	-	1.51	1.54	1.58	-	
Amps	4.4	4.5	4.6	-	4.7	4.8	4.9	-	5.1	5.2	5.3	-	5.4	5.5	5.7	-	5.7	5.8	6.0	-	5.7	5.8	6.0	-	6.0	6.2	6.4	-	
HI PR	205	221	233	-	230	248	262	-	262	282	298	-	298	321	339	-	336	361	381	-	336	361	381	-	371	399	421	-	
LO PR	105	111	122	-	111	118	128	-	115	122	133	-	121	128	140	-	126	135	147	-	126	135	147	-	131	139	152	-	

75	MBh	16.1	16.5	17.9	19.2	15.7	16.2	17.5	18.8	15.3	15.8	17.1	18.3	15.0	15.4	16.7	17.9	14.2	14.6	15.8	17.0	13.2	13.5	14.7	15.7
	S/T	0.78	0.69	0.53	0.34	0.81	0.72	0.55	0.35	0.83	0.74	0.56	0.36	0.85	0.76	0.58	0.37	0.88	0.79	0.60	0.39	0.89	0.80	0.60	0.39
	ΔT	22	20	16	11	22	20	17	12	22	20	17	12	22	21	17	12	22	20	17	11	21	19	16	11
	kW	1.19	1.21	1.24	1.28	1.27	1.29	1.32	1.36	1.33	1.36	1.39	1.43	1.39	1.42	1.46	1.50	1.44	1.47	1.51	1.55	1.48	1.51	1.56	1.60
	Amps	4.3	4.4	4.5	4.7	4.6	4.7	4.9	5.0	5.0	5.1	5.2	5.4	5.3	5.4	5.6	5.8	5.6	5.7	5.9	6.1	5.9	6.1	6.3	6.5
	HI PR	201	216	229	238	226	243	257	268	257	276	292	304	292	315	332	347	329	354	374	390	363	391	413	431
	LO PR	103	109	119	127	108	115	126	134	113	120	131	139	118	126	137	146	124	132	144	153	128	136	149	159
	MBh	17.4	17.9	19.4	20.8	17.0	17.5	19.0	20.3	16.6	17.1	18.5	19.9	16.2	16.7	18.1	19.4	15.4	15.8	17.2	18.4	14.3	14.7	15.9	17.1
	S/T	0.81	0.72	0.55	0.35	0.84	0.75	0.57	0.36	0.86	0.77	0.58	0.37	0.88	0.79	0.60	0.38	0.92	0.82	0.62	0.40	0.93	0.83	0.63	0.40
	ΔT	20	18	15	10	20	19	15	10	20	19	15	10	20	19	15	11	20	18	15	10	19	17	14	10
kW	1.21	1.24	1.27	1.30	1.29	1.32	1.35	1.39	1.36	1.39	1.42	1.46	1.42	1.45	1.49	1.53	1.47	1.50	1.54	1.59	1.52	1.55	1.59	1.64	
Amps	4.4	4.5	4.6	4.8	4.7	4.8	5.0	5.2	5.1	5.2	5.4	5.6	5.4	5.6	5.7	5.9	5.8	5.9	6.1	6.3	6.1	6.2	6.4	6.7	
HI PR	207	223	236	246	233	250	264	276	265	285	301	314	301	324	343	357	339	365	385	402	375	403	426	444	
LO PR	106	112	123	131	112	119	130	138	116	123	135	144	122	130	142	151	128	136	148	158	132	141	153	163	
MBh	17.4	17.9	19.4	20.8	17.0	17.5	19.0	20.3	16.6	17.1	18.5	19.9	16.2	16.7	18.1	19.4	15.4	15.8	17.2	18.4	14.3	14.7	15.9	17.1	
S/T	0.81	0.72	0.55	0.35	0.84	0.75	0.57	0.36	0.86	0.77	0.58	0.37	0.88	0.79	0.60	0.38	0.92	0.82	0.62	0.40	0.93	0.83	0.63	0.40	
ΔT	19	18	14	10	19	18	15	10	19	18	15	10	20	18	15	10	19	18	15	10	18	17	14	9	
kW	1.21	1.24	1.27	1.30	1.29	1.32	1.35	1.39	1.36	1.39	1.42	1.46	1.42	1.45	1.49	1.53	1.47	1.50	1.54	1.59	1.52	1.55	1.59	1.64	
Amps	4.4	4.5	4.6	4.8	4.7	4.8	5.0	5.2	5.1	5.2	5.4	5.6	5.4	5.6	5.7	5.9	5.8	5.9	6.1	6.3	6.1	6.2	6.4	6.7	
HI PR	207	223	236	246	233	250	264	276	265	285	301	314	301	324	343	357	339	365	385	402	375	403	426	444	
LO PR	106	112	123	131	112	119	130	138	116	123	135	144	122	130	142	151	128	136	148	158	132	141	153	163	

IDB = Entering Indoor Dry Bulb Temperature
 High and low pressures are measured at the liquid and suction service valves.
 Shaded area reflects ACCA (TVA) conditions
 Amps = outdoor unit amps (comp.+fan)
 kW = Total system power

EXPANDED COOLING DATA — ASX160181F* / CA*F3636*6D* +TXV (CONT.)

IDB	AIRFLOW	OUTDOOR AMBIENT TEMPERATURE												ENTERING INDOOR WET BULB TEMPERATURE											
		65°F				75°F				85°F				95°F				105°F				115°F			
		59	63	67	71	59	63	67	71	59	63	67	71	59	63	67	71	59	63	67	71	59	63	67	71
80	MBh	16.4	16.7	17.9	19.1	16.0	16.3	17.4	18.6	15.6	15.9	17.0	18.2	15.2	15.6	16.6	17.8	14.5	14.8	15.8	16.9	14.5	14.8	15.8	16.9
	S/T	0.85	0.80	0.65	0.5	0.88	0.83	0.67	0.50	0.91	0.85	0.69	0.5	0.93	0.88	0.71	0.53	0.97	0.91	0.74	0.6	0.97	0.91	0.74	0.6
	ΔT	24	23	20	16	25	24	21	16	25	24	21	16	25	24	21	17	25	24	20	16	23	22	19	15
	kW	1.20	1.22	1.25	1.3	1.27	1.30	1.33	1.37	1.34	1.37	1.40	1.4	1.40	1.43	1.47	1.51	1.45	1.48	1.52	1.6	1.49	1.52	1.57	1.61
	Amps	4.3	4.4	4.6	4.7	4.6	4.7	4.9	5.1	5.0	5.1	5.3	5.5	5.3	5.5	5.6	5.8	5.7	5.8	6.0	6.2	6.0	6.1	6.3	6.5
	HI PR	203	219	231	240.8	228	245	259	270	259	279	295	307.3	295	318	336	350	332	358	378	393.8	367	395	417	435
	LO PR	104	110	120	128.1	109	116	127	135	114	121	132	140.6	119	127	139	148	125	133	145	154.8	129	138	150	160
	MBh	17.7	18.1	19.4	20.7	17.3	17.7	18.9	20.2	16.9	17.3	18.5	19.7	16.5	16.8	18.0	19.2	15.7	16.0	17.1	18.3	14.5	14.8	15.8	16.9
	S/T	0.88	0.83	0.67	0.5	0.92	0.86	0.70	0.52	0.94	0.88	0.72	0.5	0.97	0.91	0.74	0.55	1.00	0.94	0.77	0.6	1.00	0.95	0.77	0.58
	ΔT	22	21	18	15	22	21	19	15	22	22	19	15	23	22	19	15	22	21	19	15	21	20	17	14
kW	1.22	1.24	1.28	1.3	1.30	1.32	1.36	1.40	1.37	1.40	1.43	1.5	1.43	1.46	1.50	1.54	1.48	1.51	1.56	1.6	1.53	1.56	1.60	1.65	
Amps	4.4	4.5	4.7	4.8	4.8	4.9	5.0	5.2	5.1	5.3	5.4	5.6	5.5	5.6	5.8	6.0	5.8	5.9	6.1	6.4	6.1	6.3	6.5	6.7	
HI PR	209	225	238	248.3	235	253	267	279	267	288	304	316.9	304	328	346	361	343	369	389	406.0	378	407	430	449	
LO PR	107	114	124	132.0	113	120	131	140	117	125	136	145.0	123	131	143	152	129	137	150	159.6	133	142	155	165	
MBh	17.7	18.1	19.4	20.7	17.3	17.7	18.9	20.2	16.9	17.3	18.5	19.7	16.5	16.8	18.0	19.2	15.7	16.0	17.1	18.3	14.5	14.8	15.8	16.9	
S/T	0.88	0.83	0.67	0.5	0.92	0.86	0.70	0.52	0.94	0.88	0.72	0.5	0.97	0.91	0.74	0.55	1.00	0.94	0.77	0.6	1.00	0.95	0.77	0.58	
ΔT	21	20	18	14	22	21	18	14	22	21	18	14	22	21	18	14	21	21	18	14	20	19	17	13	
kW	1.22	1.24	1.28	1.3	1.30	1.32	1.36	1.40	1.37	1.40	1.43	1.5	1.43	1.46	1.50	1.54	1.48	1.51	1.56	1.6	1.53	1.56	1.60	1.65	
Amps	4.4	4.5	4.7	4.8	4.8	4.9	5.0	5.2	5.1	5.3	5.4	5.6	5.5	5.6	5.8	6.0	5.8	5.9	6.1	6.4	6.1	6.3	6.5	6.7	
HI PR	209	225	238	248.3	235	253	267	279	267	288	304	316.9	304	328	346	361	343	369	389	406.0	378	407	430	449	
LO PR	107	114	124	132.0	113	120	131	140	117	125	136	145.0	123	131	143	152	129	137	150	159.6	133	142	155	165	
MBh	16.6	17.0	17.8	19.0	16.3	16.6	17.4	18.5	15.9	16.2	16.9	18.1	15.5	15.8	16.5	17.6	14.7	15.0	15.7	16.8	13.6	13.9	14.5	15.5	
S/T	0.89	0.86	0.78	0.63	0.93	0.89	0.81	0.65	0.95	0.92	0.83	0.67	0.98	0.95	0.85	0.69	1.00	0.98	0.89	0.72	1.00	0.99	0.89	0.72	
ΔT	26	26	24	21	26	26	25	21	26	26	25	21	27	26	25	21	26	26	24	21	24	24	23	20	
kW	1.21	1.23	1.26	1.29	1.28	1.31	1.34	1.38	1.35	1.38	1.41	1.45	1.41	1.44	1.48	1.52	1.46	1.49	1.53	1.58	1.51	1.53	1.58	1.63	
Amps	4.4	4.5	4.6	4.7	4.7	4.8	4.9	5.1	5.1	5.2	5.3	5.5	5.4	5.5	5.7	5.9	5.7	5.8	6.0	6.2	6.0	6.2	6.4	6.6	
HI PR	205	221	233	243	230	248	262	273	262	282	298	310	298	321	339	354	336	361	381	398	371	399	421	439	
LO PR	105	111	121	129	110	118	128	137	115	122	133	142	121	128	140	149	126	134	147	156	131	139	152	162	
MBh	18.0	18.4	19.3	20.5	17.6	18.0	18.8	20.1	17.2	17.5	18.4	19.6	16.8	17.1	17.9	19.1	15.9	16.2	17.0	18.2	14.8	15.0	15.8	16.8	
S/T	0.93	0.89	0.81	0.65	0.96	0.93	0.84	0.68	0.98	0.95	0.86	0.70	1.00	0.98	0.89	0.72	1.00	1.00	0.92	0.75	1.00	1.00	0.93	0.75	
ΔT	24	23	22	19	24	24	22	19	24	24	22	19	24	24	22	19	23	23	22	19	21	21	21	18	
kW	1.23	1.25	1.29	1.32	1.31	1.33	1.37	1.41	1.38	1.41	1.44	1.49	1.44	1.47	1.51	1.55	1.49	1.52	1.57	1.61	1.54	1.57	1.62	1.66	
Amps	4.5	4.6	4.7	4.9	4.8	4.9	5.1	5.2	5.2	5.3	5.5	5.7	5.5	5.7	5.8	6.0	5.9	6.0	6.2	6.4	6.2	6.3	6.5	6.8	
HI PR	212	228	240	251	237	255	270	281	270	291	307	320	308	331	349	364	346	372	393	410	382	411	434	453	
LO PR	108	115	125	133	114	121	132	141	118	126	137	146	124	132	144	154	130	139	151	161	135	143	157	167	
MBh	18.0	18.4	19.3	20.5	17.6	18.0	18.8	20.1	17.2	17.5	18.4	19.6	16.8	17.1	17.9	19.1	15.9	16.2	17.0	18.2	14.8	15.0	15.8	16.8	
S/T	0.93	0.89	0.81	0.65	0.96	0.93	0.84	0.68	0.98	0.95	0.86	0.70	1.00	0.98	0.89	0.72	1.00	1.00	0.92	0.75	1.00	1.00	0.93	0.75	
ΔT	23	22	21	18	23	23	21	19	23	23	21	19	23	23	22	19	22	22	21	18	20	20	20	17	
kW	1.23	1.25	1.29	1.32	1.31	1.33	1.37	1.41	1.38	1.41	1.44	1.49	1.44	1.47	1.51	1.55	1.49	1.52	1.57	1.61	1.54	1.57	1.62	1.66	
Amps	4.5	4.6	4.7	4.9	4.8	4.9	5.1	5.2	5.2	5.3	5.5	5.7	5.5	5.7	5.8	6.0	5.9	6.0	6.2	6.4	6.2	6.3	6.5	6.8	
HI PR	212	228	240	251	237	255	270	281	270	291	307	320	308	331	349	364	346	372	393	410	382	411	434	453	
LO PR	108	115	125	133	114	121	132	141	118	126	137	146	124	132	144	154	130	139	151	161	135	143	157	167	

Amps = outdoor unit amps (comp.+fan)
kW = Total system power

Shaded area reflects AHRI Rating conditions

IDB = Entering Indoor Dry Bulb Temperature
High and low pressures are measured at the liquid and suction service valves.

EXPANDED COOLING DATA — ASX160241F* / CA*F3636*6D*+TXV

IDB	AIRFLOW	OUTDOOR AMBIENT TEMPERATURE																							
		65°F				75°F				85°F				95°F				105°F				115°F			
		59	63	67	71	59	63	67	71	59	63	67	71	59	63	67	71	59	63	67	71	59	63	67	71
70	MBh	22.1	22.9	25.1	-	21.6	22.4	24.5	-	21.1	21.9	23.9	-	20.6	21.3	23.4	-	19.5	20.3	22.2	-	18.1	18.8	20.6	-
	S/T	0.69	0.58	0.40	-	0.72	0.60	0.42	-	0.74	0.61	0.43	-	0.76	0.63	0.44	-	0.79	0.66	0.46	-	0.80	0.66	0.46	-
	ΔT	20	17	13	-	20	18	13	-	20	18	13	-	21	18	13	-	20	18	13	-	19	16	12	-
	kW	1.54	1.57	1.61	-	1.64	1.67	1.72	-	1.74	1.77	1.82	-	1.82	1.86	1.91	-	1.89	1.93	1.99	-	1.95	1.99	2.05	-
	Amps	5.7	5.8	6.0	-	6.1	6.3	6.5	-	6.6	6.8	7.0	-	7.1	7.3	7.5	-	7.5	7.7	8.0	-	8.0	8.2	8.4	-
750	MBh	22.5	23.3	25.5	-	21.9	22.7	24.9	-	21.4	22.2	24.3	-	20.9	21.6	23.7	-	19.8	20.6	22.5	-	18.4	19.1	20.9	-
	S/T	0.72	0.60	0.42	-	0.74	0.62	0.43	-	0.76	0.64	0.44	-	0.79	0.66	0.46	-	0.82	0.68	0.47	-	0.82	0.69	0.48	-
	ΔT	20	17	13	-	20	17	13	-	20	17	13	-	20	17	13	-	20	17	13	-	19	16	12	-
	kW	1.56	1.59	1.63	-	1.66	1.70	1.75	-	1.76	1.79	1.85	-	1.84	1.88	1.94	-	1.91	1.95	2.01	-	1.98	2.02	2.08	-
	Amps	5.8	5.9	6.1	-	6.2	6.4	6.6	-	6.7	6.9	7.1	-	7.2	7.4	7.6	-	7.6	7.8	8.1	-	8.1	8.3	8.6	-
900	MBh	23.2	24.1	26.4	-	22.7	23.5	25.8	-	22.2	23.0	25.2	-	21.6	22.4	24.5	-	20.5	21.3	23.3	-	19.0	19.7	21.6	-
	S/T	0.76	0.64	0.44	-	0.79	0.66	0.46	-	0.81	0.68	0.47	-	0.84	0.70	0.48	-	0.87	0.73	0.50	-	0.88	0.73	0.51	-
	ΔT	18	16	12	-	18	16	12	-	18	16	12	-	18	16	12	-	18	16	12	-	17	15	11	-
	kW	1.58	1.61	1.65	-	1.69	1.72	1.77	-	1.78	1.82	1.87	-	1.87	1.91	1.97	-	1.94	1.98	2.04	-	2.01	2.05	2.11	-
	Amps	5.9	6.0	6.2	-	6.3	6.5	6.7	-	6.9	7.0	7.3	-	7.3	7.5	7.7	-	7.8	8.0	8.2	-	8.2	8.4	8.7	-

IDB	AIRFLOW	OUTDOOR AMBIENT TEMPERATURE																							
		65°F				75°F				85°F				95°F				105°F				115°F			
		59	63	67	71	59	63	67	71	59	63	67	71	59	63	67	71	59	63	67	71	59	63	67	71
70	MBh	22.5	23.2	25.1	26.9	22.0	22.6	24.5	26.3	21.4	22.1	23.9	25.6	20.9	21.5	23.3	25.0	19.9	20.5	22.1	23.8	18.4	19.0	20.5	22.0
	S/T	0.79	0.70	0.53	0.34	0.82	0.73	0.55	0.36	0.84	0.75	0.57	0.36	0.86	0.77	0.58	0.38	0.90	0.80	0.61	0.39	0.90	0.81	0.61	0.39
	ΔT	23	21	18	12	24	22	18	12	24	22	18	12	24	22	18	12	23	22	18	12	22	20	16	11
	kW	1.55	1.58	1.62	1.67	1.66	1.69	1.74	1.79	1.75	1.78	1.84	1.89	1.83	1.87	1.93	1.99	1.90	1.94	2.00	2.06	1.96	2.00	2.07	2.13
	Amps	5.7	5.9	6.1	6.3	6.2	6.3	6.5	6.8	6.7	6.9	7.1	7.3	7.2	7.3	7.6	7.8	7.6	7.8	8.0	8.3	8.0	8.2	8.5	8.8
75	MBh	22.8	23.5	25.4	27.3	22.3	23.0	24.9	26.7	21.8	22.4	24.3	26.0	21.2	21.9	23.7	25.4	20.2	20.8	22.5	24.1	18.7	19.2	20.8	22.4
	S/T	0.82	0.73	0.55	0.36	0.85	0.76	0.57	0.37	0.87	0.78	0.59	0.38	0.90	0.80	0.61	0.39	0.93	0.83	0.63	0.40	0.94	0.84	0.63	0.41
	ΔT	23	21	17	12	23	21	17	12	23	21	17	12	23	21	18	12	23	21	17	12	21	20	16	11
	kW	1.57	1.60	1.64	1.69	1.68	1.71	1.76	1.81	1.77	1.81	1.86	1.92	1.86	1.89	1.95	2.01	1.93	1.97	2.03	2.09	1.99	2.03	2.09	2.16
	Amps	5.8	6.0	6.1	6.4	6.3	6.4	6.6	6.9	6.8	7.0	7.2	7.5	7.3	7.4	7.7	8.0	7.7	7.9	8.2	8.5	8.2	8.4	8.6	9.0
900	MBh	23.6	24.3	26.3	28.3	23.1	23.8	25.7	27.6	22.5	23.2	25.1	27.0	22.0	22.6	24.5	26.3	20.9	21.5	23.3	25.0	19.3	19.9	21.6	23.1
	S/T	0.87	0.78	0.59	0.38	0.90	0.80	0.61	0.39	0.92	0.83	0.62	0.40	0.95	0.85	0.64	0.41	0.99	0.88	0.67	0.43	1.00	0.89	0.67	0.43
	ΔT	21	19	16	11	21	20	16	11	21	20	16	11	21	20	16	11	21	19	16	11	20	18	15	10
	kW	1.59	1.62	1.67	1.72	1.70	1.73	1.79	1.84	1.80	1.83	1.89	1.95	1.88	1.92	1.98	2.04	1.96	2.00	2.06	2.12	2.02	2.06	2.13	2.19
	Amps	5.9	6.1	6.3	6.5	6.4	6.5	6.7	7.0	6.9	7.1	7.3	7.6	7.4	7.6	7.8	8.1	7.9	8.0	8.3	8.6	8.3	8.5	8.8	9.1

IDB = Entering Indoor Dry Bulb Temperature
 High and low pressures are measured at the liquid and suction service valves.
 Shaded area reflects ACCA (TVA) conditions
 Amps = outdoor unit amps (comp.+fan)
 kW = Total system power

EXPANDED COOLING DATA — ASX160241F* / CA*F3636*6D*+TXV (CONT.)

IDB	AIRFLOW	OUTDOOR AMBIENT TEMPERATURE												ENTERING INDOOR WET BULB TEMPERATURE											
		65°F				75°F				85°F				95°F				105°F				115°F			
		59	63	67	71	59	63	67	71	59	63	67	71	59	63	67	71	59	63	67	71	59	63	67	71
700	MBh	22.9	23.4	25.0	26.7	22.4	22.8	24.4	26.1	21.8	22.3	23.8	25.5	21.3	21.8	23.2	24.8	20.2	20.7	22.1	23.6	18.7	19.1	20.5	21.9
	S/T	0.86	0.81	0.66	0.5	0.90	0.84	0.68	0.51	0.92	0.86	0.70	0.5	0.95	0.89	0.72	0.54	0.98	0.92	0.75	0.6	0.99	0.93	0.76	0.57
	ΔT	26	25	22	17	26	25	22	18	26	25	22	18	27	25	22	18	26	25	22	17	24	23	20	16
	kW	1.56	1.59	1.63	1.7	1.67	1.70	1.75	1.80	1.76	1.80	1.85	1.9	1.85	1.88	1.94	2.00	1.92	1.96	2.02	2.1	1.98	2.02	2.08	2.15
	Amps	5.8	5.9	6.1	6.3	6.2	6.4	6.6	6.8	6.8	6.9	7.1	7.4	7.2	7.4	7.6	7.9	7.7	7.9	8.1	8.4	8.1	8.3	8.6	8.9
80	HI PR	209	225	238	248.3	235	253	267	279	267	288	304	316.9	304	328	346	361	343	369	389	406.0	378	407	430	449
	LO PR	105	112	122	129.8	111	118	129	137	115	123	134	142.5	121	129	141	150	127	135	147	156.9	131	140	152	162
	MBh	23.2	23.7	25.4	27.1	22.7	23.2	24.8	26.5	22.2	22.6	24.2	25.9	21.6	22.1	23.6	25.2	20.5	21.0	22.4	24.0	19.0	19.4	20.8	22.2
	S/T	0.90	0.84	0.68	0.5	0.93	0.87	0.71	0.53	0.95	0.89	0.73	0.5	0.98	0.92	0.75	0.56	1.00	0.96	0.78	0.6	1.00	0.96	0.78	0.59
	ΔT	26	24	21	17	26	25	22	17	26	25	22	17	26	25	22	17	25	25	21	17	23	23	20	16
900	kW	1.58	1.61	1.65	1.7	1.69	1.72	1.77	1.83	1.79	1.82	1.88	1.9	1.87	1.91	1.97	2.03	1.94	1.98	2.04	2.1	2.01	2.05	2.11	2.18
	Amps	5.9	6.0	6.2	6.4	6.3	6.5	6.7	6.9	6.9	7.0	7.3	7.5	7.3	7.5	7.7	8.0	7.8	8.0	8.2	8.5	8.2	8.4	8.7	9.0
	HI PR	213	229	242	252.6	239	257	272	283	272	293	309	322.3	310	333	352	367	348	375	396	413.0	385	414	438	456
	LO PR	107	114	124	132.0	113	120	131	140	117	125	136	145.0	123	131	143	152	129	137	150	159.6	133	142	155	165
	MBh	24.1	24.6	26.3	28.1	23.5	24.0	25.6	27.4	22.9	23.4	25.0	26.8	22.4	22.9	24.4	26.1	21.3	21.7	23.2	24.8	19.7	20.1	21.5	23.0
85	S/T	0.95	0.89	0.73	0.5	1.00	0.93	0.75	0.56	1.00	0.95	0.77	0.6	1.00	1.00	0.80	0.60	1.00	1.00	0.83	0.6	1.00	1.00	0.83	0.62
	ΔT	23	22	19	16	24	23	20	16	23	23	20	16	23	23	20	16	22	22	20	16	20	21	18	15
	kW	1.57	1.60	1.65	1.69	1.68	1.71	1.76	1.82	1.78	1.81	1.87	1.92	1.86	1.90	1.96	2.02	1.93	1.97	2.03	2.10	2.00	2.04	2.10	2.17
	Amps	5.8	6.0	6.2	6.4	6.3	6.4	6.6	6.9	6.8	7.0	7.2	7.5	7.3	7.5	7.7	8.0	7.7	7.9	8.2	8.5	8.2	8.4	8.7	9.0
	HI PR	212	228	240	251	237	255	270	281	270	291	307	320	308	331	349	365	346	372	393	410	382	411	434	453
700	LO PR	106	113	123	131	112	119	130	139	116	124	135	144	122	130	142	151	128	136	149	158	133	141	154	164
	MBh	23.6	24.1	25.2	26.9	23.1	23.5	24.7	26.3	22.5	23.0	24.1	25.7	22.0	22.4	23.5	25.1	20.9	21.3	22.3	23.8	19.4	19.7	20.7	22.0
	S/T	0.94	0.91	0.82	0.66	0.97	0.94	0.85	0.69	1.00	0.96	0.87	0.71	1.00	0.99	0.90	0.73	1.00	1.00	0.93	0.76	1.00	1.00	0.94	0.76
	ΔT	27	27	25	22	28	27	26	22	28	27	26	22	27	27	26	22	26	26	25	22	24	24	24	21
	kW	1.59	1.62	1.67	1.72	1.70	1.73	1.79	1.84	1.80	1.83	1.89	1.95	1.89	1.92	1.98	2.04	1.96	2.00	2.06	2.12	2.02	2.06	2.13	2.20
750	Amps	5.9	6.1	6.3	6.5	6.4	6.5	6.7	7.0	6.9	7.1	7.3	7.6	7.4	7.6	7.8	8.1	7.9	8.0	8.3	8.6	8.3	8.5	8.8	9.1
	HI PR	215	232	245	255	242	260	274	286	275	296	312	326	313	337	356	371	352	379	400	417	389	418	442	461
	LO PR	108	115	125	133	114	121	132	141	118	126	137	146	124	132	144	154	130	139	151	161	135	143	157	167
	MBh	24.5	24.9	26.1	27.9	23.9	24.4	25.5	27.2	23.3	23.8	24.9	26.6	22.8	23.2	24.3	25.9	21.6	22.0	23.1	24.6	20.0	20.4	21.4	22.8
	S/T	1.00	0.96	0.87	0.71	1.00	1.00	0.90	0.73	1.00	1.00	0.92	0.75	1.00	1.00	0.95	0.77	1.00	1.00	0.99	0.80	1.00	1.00	0.94	0.81
900	ΔT	25	25	23	20	24	25	23	20	24	24	24	20	23	24	24	20	22	23	23	20	20	21	22	19
	kW	1.61	1.64	1.69	1.74	1.73	1.76	1.81	1.87	1.83	1.86	1.92	1.98	1.91	1.95	2.01	2.08	1.99	2.03	2.09	2.16	2.05	2.10	2.16	2.23
	Amps	6.0	6.2	6.4	6.6	6.5	6.7	6.9	7.1	7.1	7.2	7.5	7.7	7.5	7.7	8.0	8.3	8.0	8.2	8.5	8.8	8.5	8.7	9.0	9.3
	HI PR	220	236	249	260	246	265	280	292	280	302	318	332	319	343	363	378	359	386	408	426	397	427	451	470
	LO PR	110	117	128	136	116	124	135	144	121	128	140	149	127	135	147	157	133	141	154	164	137	146	160	170

Shaded area reflects AHRI Rating conditions

High and low pressures are measured at the liquid and suction service valves.

IDB = Entering Indoor Dry Bulb Temperature

Amps = outdoor unit amps (comp.+fan)

kW = Total system power

EXPANDED COOLING DATA —ASX160301F* / CA*F3743*6D*+TXV

IDB	AIRFLOW	OUTDOOR AMBIENT TEMPERATURE																							
		65°F				75°F				85°F				95°F				105°F				115°F			
		59	63	67	71	59	63	67	71	59	63	67	71	59	63	67	71	59	63	67	71	59	63	67	71
70	MBh	25.5	26.4	28.9	-	24.9	25.8	28.2	-	24.3	25.2	27.6	-	23.7	24.6	26.9	-	22.5	23.3	25.6	-	20.8	21.6	23.7	-
	S/T	0.70	0.59	0.41	-	0.73	0.61	0.42	-	0.75	0.62	0.43	-	0.77	0.64	0.45	-	0.80	0.67	0.46	-	0.81	0.67	0.47	-
	ΔT	19	16	12	-	19	16	12	-	19	16	13	-	19	17	13	-	19	16	12	-	18	15	12	-
	kW	1.87	1.90	1.96	-	2.04	2.04	2.10	-	2.11	2.15	2.22	-	2.21	2.26	2.32	-	2.30	2.34	2.41	-	2.37	2.42	2.49	-
	Amps	6.8	6.9	7.1	-	7.3	7.5	7.7	-	7.9	8.1	8.4	-	8.5	8.7	9.0	-	9.0	9.2	9.5	-	9.5	9.8	10.1	-
875	HI PR	214	230	243	-	240	258	272	-	272	293	310	-	310	334	353	-	349	376	397	-	386	415	438	-
	LO PR	104	110	120	-	109	116	127	-	114	121	132	-	119	127	139	-	125	133	145	-	130	138	150	-
	MBh	27.6	28.6	31.3	-	26.9	27.9	30.6	-	26.3	27.3	29.9	-	25.7	26.6	29.1	-	24.4	25.3	27.7	-	22.6	23.4	25.6	-
	S/T	0.73	0.61	0.42	-	0.75	0.63	0.44	-	0.77	0.65	0.45	-	0.80	0.67	0.46	-	0.83	0.69	0.48	-	0.84	0.70	0.48	-
	ΔT	18	16	12	-	19	16	12	-	19	16	12	-	19	16	12	-	19	16	12	-	17	15	11	-
1000	kW	1.91	1.95	2.00	-	2.04	2.08	2.14	-	2.16	2.20	2.27	-	2.26	2.31	2.38	-	2.35	2.40	2.47	-	2.43	2.48	2.55	-
	Amps	6.9	7.1	7.3	-	7.5	7.7	7.9	-	8.2	8.3	8.6	-	8.7	8.9	9.2	-	9.3	9.5	9.8	-	9.8	10.1	10.4	-
	HI PR	220	237	250	-	247	266	281	-	281	302	319	-	320	344	364	-	360	387	409	-	398	428	452	-
	LO PR	107	114	124	-	113	120	131	-	117	125	136	-	123	131	143	-	129	137	150	-	134	142	155	-
	MBh	28.4	29.5	32.3	-	27.8	28.8	31.5	-	27.1	28.1	30.8	-	26.4	27.4	30.0	-	25.1	26.0	28.5	-	23.3	24.1	26.4	-
1125	S/T	0.76	0.64	0.44	-	0.79	0.66	0.46	-	0.81	0.68	0.47	-	0.84	0.70	0.48	-	0.87	0.73	0.50	-	0.88	0.73	0.51	-
	ΔT	18	15	12	-	18	16	12	-	18	16	12	-	18	16	12	-	18	15	12	-	17	14	11	-
	kW	1.92	1.96	2.02	-	2.06	2.10	2.16	-	2.18	2.22	2.29	-	2.28	2.33	2.40	-	2.37	2.42	2.49	-	2.45	2.50	2.57	-
	Amps	7.0	7.2	7.4	-	7.6	7.8	8.0	-	8.2	8.4	8.7	-	8.8	9.0	9.3	-	9.4	9.6	9.9	-	9.9	10.1	10.5	-
	HI PR	222	239	253	-	249	268	283	-	284	305	322	-	323	348	367	-	364	391	413	-	402	432	456	-
LO PR	108	115	125	-	114	121	132	-	118	126	138	-	124	132	145	-	130	139	151	-	135	143	157	-	

875	MBh	25.9	26.7	28.9	31.0	25.3	26.0	28.2	30.3	24.7	25.4	27.5	29.5	24.1	24.8	26.8	28.8	22.9	23.6	25.5	27.4	21.2	21.8	23.6	25.4
	S/T	0.80	0.71	0.54	0.35	0.83	0.74	0.56	0.36	0.85	0.76	0.57	0.37	0.88	0.78	0.59	0.38	0.91	0.81	0.62	0.40	0.92	0.82	0.62	0.40
	ΔT	22	20	16	11	22	20	17	11	22	20	17	11	22	20	17	12	22	20	16	11	20	19	15	11
	kW	1.88	1.92	1.97	2.03	2.01	2.05	2.11	2.17	2.13	2.17	2.23	2.30	2.23	2.27	2.34	2.41	2.31	2.36	2.43	2.51	2.39	2.44	2.51	2.59
	Amps	6.8	7.0	7.2	7.5	7.4	7.5	7.8	8.1	8.0	8.2	8.5	8.8	8.5	8.8	9.0	9.4	9.1	9.3	9.6	10.0	9.6	9.9	10.2	10.6
1000	HI PR	216	232	245	256	242	260	275	287	275	296	313	326	314	337	356	372	353	380	401	418	390	419	443	462
	LO PR	105	111	122	129	111	118	128	137	115	122	133	142	121	128	140	149	127	135	147	156	131	139	152	162
	MBh	28.1	28.9	31.3	33.6	27.4	28.2	30.5	32.8	26.8	27.5	29.8	32.0	26.1	26.9	29.1	31.2	24.8	25.5	27.6	29.7	23.0	23.6	25.6	27.5
	S/T	0.83	0.74	0.56	0.36	0.86	0.77	0.58	0.37	0.88	0.79	0.60	0.38	0.91	0.81	0.61	0.40	0.94	0.84	0.64	0.41	0.95	0.85	0.64	0.41
	ΔT	21	20	16	11	22	20	16	11	22	20	16	11	22	20	16	11	21	20	16	11	20	18	15	10
1125	kW	1.92	1.96	2.02	2.08	2.06	2.10	2.16	2.22	2.18	2.22	2.29	2.36	2.28	2.33	2.40	2.47	2.37	2.42	2.49	2.57	2.45	2.50	2.57	2.66
	Amps	7.0	7.2	7.4	7.7	7.6	7.8	8.0	8.3	8.2	8.4	8.7	9.0	8.8	9.0	9.3	9.7	9.4	9.6	9.9	10.3	9.9	10.2	10.5	10.9
	HI PR	222	239	253	264	250	269	284	296	284	305	322	336	323	348	367	383	364	391	413	431	402	432	457	476
	LO PR	108	115	125	133	114	121	132	141	118	126	138	147	124	132	145	154	130	139	151	161	135	144	157	167
	MBh	28.9	29.8	32.2	34.6	28.2	29.1	31.5	33.8	27.6	28.4	30.7	33.0	26.9	27.7	30.0	32.2	25.5	26.3	28.5	30.5	23.7	24.4	26.4	28.3
75	S/T	0.87	0.78	0.59	0.38	0.90	0.80	0.61	0.39	0.92	0.82	0.62	0.40	0.95	0.85	0.64	0.41	0.99	0.88	0.67	0.43	1.00	0.89	0.67	0.43
	ΔT	20	19	15	11	21	19	16	11	21	19	16	11	21	19	16	11	21	19	16	11	19	18	15	10
	kW	1.94	1.97	2.03	2.09	2.07	2.11	2.18	2.24	2.19	2.24	2.30	2.37	2.30	2.35	2.42	2.49	2.39	2.44	2.51	2.59	2.47	2.52	2.60	2.68
	Amps	7.1	7.2	7.5	7.8	7.6	7.8	8.1	8.4	8.3	8.5	8.8	9.1	8.9	9.1	9.4	9.7	9.4	9.7	10.0	10.4	10.0	10.2	10.6	11.0
	HI PR	225	242	255	266	252	271	286	299	287	308	326	340	326	351	371	387	367	395	417	435	406	437	461	481
LO PR	109	116	127	135	115	122	134	142	120	127	139	148	126	134	146	155	132	140	153	163	136	145	158	169	

IDB = Entering Indoor Dry Bulb Temperature
 High and low pressures are measured at the liquid and suction service valves.
 Shaded area reflects ACCA (TVA) conditions
 Amps = outdoor unit amps (comp.+fan)
 kW = Total system power

EXPANDED COOLING DATA — ASX160301F* / CA*F3743*6D* +TXV (CONT.)

IDB	AIRFLOW	OUTDOOR AMBIENT TEMPERATURE																						
		65°F					75°F					85°F												
		59	63	67	71	75	59	63	67	71	75	59	63	67	71	75								
80	875	MBh	26.4	26.9	28.8	30.8	30.0	25.1	25.7	27.4	29.3	24.5	25.1	26.8	28.6	23.3	23.8	25.4	27.2	21.6	22.0	23.6	25.2	
		S/T	0.88	0.82	0.67	0.5	0.52	0.93	0.87	0.71	0.5	0.96	0.90	0.73	0.55	1.00	0.93	0.76	0.6	1.00	0.94	0.77	0.57	
		ΔT	24	23	20	16	16	25	24	20	16	25	24	21	16	24	23	20	16	23	22	19	15	
		kW	1.90	1.93	1.99	2.0	2.03	2.07	2.13	2.19	2.25	2.3	2.25	2.29	2.36	2.43	2.33	2.38	2.45	2.5	2.41	2.46	2.53	2.61
		Amps	6.9	7.0	7.3	7.5	7.4	7.6	7.9	8.2	8.5	8.8	8.6	8.8	9.1	9.5	9.2	9.4	9.7	10.1	9.7	10.0	10.3	10.7
	HI PR	218	234	248	258.2	244	263	278	290	278	299	316	329.6	317	341	356	383	405	422.3	394	424	447	467	
	LO PR	106	112	123	130.8	112	119	130	138	116	123	135	143.6	122	130	128	136	148	158.1	132	141	154	163	
	MBh	28.6	29.2	31.2	33.3	32.6	27.2	27.8	29.7	31.8	26.6	27.1	29.0	31.0	25.2	25.8	27.6	29.5	23.4	23.9	25.5	27.3		
	S/T	0.91	0.85	0.69	0.5	0.54	0.96	0.90	0.74	0.6	1.00	0.93	0.76	0.57	1.00	0.97	0.79	0.6	1.00	0.98	0.80	0.59		
	ΔT	24	23	20	16	16	24	23	20	16	24	23	20	16	23	23	20	16	21	21	19	15		
kW	1.94	1.97	2.03	2.1	2.07	2.11	2.18	2.24	2.3	2.30	2.24	2.30	2.36	2.42	2.39	2.44	2.51	2.6	2.47	2.52	2.60	2.68		
Amps	7.1	7.2	7.5	7.8	7.6	7.8	8.1	8.4	8.8	9.1	8.9	9.1	9.4	9.7	9.4	9.7	10.0	10.4	10.0	10.2	10.6	11.0		
HI PR	225	242	255	266.2	252	271	286	299	287	308	326	339.7	326	351	371	387	395	417	435.3	406	437	461		
LO PR	109	116	127	134.8	115	123	134	142	120	127	139	148.0	126	134	132	140	153	163.0	136	145	158	169		
MBh	29.4	30.1	32.1	34.3	33.5	28.7	29.4	31.4	33.5	28.0	28.7	30.6	32.7	27.4	28.0	29.9	31.9	26.0	26.6	28.4	30.3	28.1		
S/T	0.95	0.89	0.73	0.5	0.56	1.00	0.93	0.75	0.56	1.00	0.95	0.77	0.6	1.00	1.00	0.80	0.60	1.00	1.00	0.83	0.6	0.62		
ΔT	23	22	19	15	15	23	22	19	15	22	22	19	15	22	23	19	16	21	22	19	15	14		
kW	1.95	1.99	2.05	2.1	2.09	2.13	2.19	2.26	2.26	2.21	2.25	2.32	2.4	2.32	2.36	2.44	2.51	2.41	2.46	2.53	2.6	2.70		
Amps	7.1	7.3	7.5	7.8	7.7	7.9	8.2	8.5	8.4	8.6	8.9	9.2	9.0	9.0	9.2	9.5	9.8	9.5	9.8	10.1	10.5	11.1		
HI PR	227	244	258	268.9	255	274	289	302	290	312	329	343.1	330	355	375	391	371	399	422	439.7	410	441		
LO PR	110	117	128	136.2	116	124	135	144	121	129	140	149.5	127	135	147	157	133	142	155	164.6	138	146		
85	875	MBh	26.8	27.3	28.6	30.5	29.8	26.2	26.7	28.0	29.8	25.6	26.1	27.3	29.1	24.9	25.4	26.6	28.4	22.0	22.4	23.4	25.0	
		S/T	0.92	0.89	0.80	0.65	0.67	0.98	0.94	0.85	0.69	1.00	0.98	0.88	0.71	1.00	1.00	0.91	0.74	1.00	1.00	0.92	0.74	
		ΔT	26	25	24	21	21	26	26	24	21	26	26	24	21	26	26	25	21	25	25	24	21	
		kW	1.91	1.95	2.00	2.06	2.04	2.08	2.14	2.21	2.16	2.20	2.27	2.34	2.26	2.26	2.31	2.38	2.45	2.35	2.40	2.47	2.55	
		Amps	6.9	7.1	7.3	7.6	7.5	7.7	7.9	8.2	8.1	8.3	8.6	8.9	8.7	8.9	9.2	9.6	9.6	9.3	9.5	9.8	10.2	
	HI PR	220	237	250	261	247	266	281	293	281	302	319	333	320	344	363	379	360	387	409	426	398	452	
	LO PR	107	114	124	132	113	120	131	140	117	125	136	145	123	131	143	152	129	137	150	160	133	142	
	MBh	29.1	29.6	31.0	33.1	32.3	27.7	28.2	29.6	31.6	27.0	27.6	28.9	30.8	25.7	26.2	27.4	29.2	23.8	24.2	25.4	27.1		
	S/T	0.95	0.92	0.83	0.67	0.70	1.00	0.98	0.88	0.71	1.00	1.00	0.91	0.74	1.00	1.00	0.94	0.77	1.00	1.00	0.95	0.77		
	ΔT	25	25	24	20	20	26	25	24	21	25	25	24	21	25	25	24	21	24	24	24	21		
kW	1.95	1.99	2.05	2.11	2.09	2.13	2.19	2.26	2.21	2.25	2.32	2.39	2.32	2.32	2.36	2.44	2.51	2.41	2.46	2.53	2.61			
Amps	7.1	7.3	7.5	7.8	7.7	7.9	8.2	8.5	8.4	8.6	8.9	9.2	9.0	9.0	9.2	9.5	9.8	9.5	9.8	10.1	10.5			
HI PR	227	244	258	269	255	274	289	302	290	312	329	343	330	355	375	391	371	399	422	440	410	441		
LO PR	110	117	128	136	116	124	135	144	121	129	140	150	127	135	147	157	133	142	155	165	138	146		
MBh	29.9	30.5	31.9	34.1	33.3	28.5	29.1	30.5	32.5	27.8	28.4	29.7	31.7	26.4	27.0	28.2	30.1	24.5	25.0	26.2	27.9			
S/T	1.00	0.96	0.87	0.70	0.73	1.00	1.00	0.92	0.75	1.00	1.00	0.95	0.77	1.00	1.00	0.99	0.80	1.00	1.00	1.00	0.81			
ΔT	24	24	23	20	20	24	24	23	20	23	24	23	20	22	22	23	20	22	22	23	20			
kW	1.97	2.00	2.06	2.12	2.10	2.15	2.21	2.28	2.23	2.27	2.34	2.41	2.33	2.38	2.45	2.53	2.43	2.48	2.55	2.63	2.50			
Amps	7.2	7.4	7.6	7.9	7.8	7.8	8.0	8.2	8.5	8.5	8.7	8.9	9.3	9.0	9.3	9.6	9.9	9.6	9.9	10.2	10.6			
HI PR	229	247	260	272	257	277	292	305	292	315	332	347	333	358	378	395	375	403	426	444	414	445		
LO PR	111	118	129	138	117	125	136	145	122	130	142	151	128	136	149	159	134	143	156	166	139	148		

IDB = Entering Indoor Dry Bulb Temperature
 High and low pressures are measured at the liquid and suction service valves.
 Shaded area reflects AHRI Rating conditions
 Amps = outdoor unit amps (comp.+fan)
 kW = Total system power

EXPANDED COOLING DATA — ASX160361F* / CA*F4860*6D*+TXV

IDB	AIRFLOW	OUTDOOR AMBIENT TEMPERATURE																							
		65°F				75°F				85°F				95°F				105°F				115°F			
		59	63	67	71	59	63	67	71	59	63	67	71	59	63	67	71	59	63	67	71	59	63	67	71
70	MBh	30.6	31.7	34.7	-	29.8	30.9	33.9	-	29.1	30.2	33.1	-	28.4	29.5	32.3	-	27.0	28.0	30.7	-	25.0	25.9	28.4	-
	S/T	0.71	0.59	0.41	-	0.74	0.62	0.43	-	0.76	0.63	0.44	-	0.78	0.65	0.45	-	0.81	0.68	0.47	-	0.82	0.68	0.47	-
	ΔT	19	16	13	-	19	17	13	-	19	17	13	-	19	17	13	-	19	17	13	-	18	15	12	-
	kW	2.23	2.27	2.34	-	2.39	2.44	2.51	-	2.53	2.58	2.66	-	2.65	2.70	2.79	-	2.75	2.81	2.90	-	2.84	2.90	2.99	-
	Amps	8.1	8.3	8.5	-	8.7	8.9	9.2	-	9.5	9.7	10.0	-	10.1	10.4	10.7	-	10.8	11.1	11.4	-	11.5	11.7	12.1	-
	HI PR	219	236	249	-	246	265	280	-	280	301	318	-	319	343	362	-	359	386	407	-	396	426	450	-
LO PR	103	109	120	-	109	116	126	-	113	120	131	-	119	126	138	-	124	132	144	-	129	137	149	-	
70	MBh	33.1	34.3	37.6	-	32.3	33.5	36.7	-	31.6	32.7	35.8	-	30.8	31.9	35.0	-	29.3	30.3	33.2	-	27.1	28.1	30.8	-
	S/T	0.74	0.62	0.43	-	0.76	0.64	0.44	-	0.78	0.65	0.45	-	0.81	0.68	0.47	-	0.84	0.70	0.49	-	0.85	0.71	0.49	-
	ΔT	19	16	12	-	19	16	12	-	19	16	12	-	19	17	13	-	19	16	12	-	18	15	12	-
	kW	2.28	2.33	2.39	-	2.44	2.49	2.57	-	2.59	2.64	2.72	-	2.71	2.77	2.85	-	2.82	2.88	2.97	-	2.91	2.97	3.07	-
	Amps	8.3	8.5	8.8	-	9.0	9.2	9.5	-	9.8	10.0	10.3	-	10.4	10.7	11.1	-	11.1	11.4	11.8	-	11.8	12.1	12.5	-
	HI PR	226	243	257	-	254	273	288	-	288	310	328	-	329	354	373	-	370	398	420	-	408	440	464	-
LO PR	106	113	123	-	112	119	130	-	116	124	135	-	122	130	142	-	128	136	149	-	133	141	154	-	
70	MBh	34.1	35.3	38.7	-	33.3	34.5	37.8	-	32.5	33.7	36.9	-	31.7	32.9	36.0	-	30.1	31.2	34.2	-	27.9	28.9	31.7	-
	S/T	0.77	0.65	0.45	-	0.80	0.67	0.46	-	0.82	0.69	0.48	-	0.85	0.71	0.49	-	0.88	0.74	0.51	-	0.89	0.74	0.51	-
	ΔT	18	16	12	-	18	16	12	-	18	16	12	-	18	16	12	-	18	16	12	-	17	15	11	-
	kW	2.30	2.34	2.41	-	2.46	2.51	2.59	-	2.61	2.66	2.74	-	2.73	2.79	2.88	-	2.84	2.90	2.99	-	2.94	3.00	3.09	-
	Amps	8.4	8.6	8.9	-	9.1	9.3	9.6	-	9.9	10.1	10.4	-	10.5	10.8	11.2	-	11.2	11.5	11.9	-	11.9	12.2	12.6	-
	HI PR	228	246	259	-	256	276	291	-	291	314	331	-	332	357	377	-	373	402	424	-	413	444	469	-
LO PR	107	114	124	-	113	120	131	-	118	125	137	-	124	131	144	-	130	138	150	-	134	143	156	-	

75	MBh	31.1	32.0	34.6	37.2	30.4	31.3	33.8	36.3	29.6	30.5	33.0	35.4	28.9	29.8	32.2	34.6	27.5	28.3	30.6	32.8	25.4	26.2	28.4	30.4
	S/T	0.81	0.72	0.55	0.35	0.84	0.75	0.57	0.36	0.86	0.77	0.58	0.37	0.89	0.79	0.60	0.39	0.92	0.82	0.62	0.40	0.93	0.83	0.63	0.40
	ΔT	22	20	17	11	22	21	17	12	22	21	17	12	22	21	17	12	22	20	17	12	21	19	16	11
	kW	2.25	2.29	2.36	2.43	2.41	2.45	2.53	2.60	2.55	2.60	2.68	2.76	2.67	2.73	2.81	2.90	2.78	2.83	2.92	3.01	2.87	2.93	3.02	3.11
	Amps	8.1	8.3	8.6	8.9	8.8	9.0	9.3	9.7	9.6	9.8	10.1	10.5	10.2	10.5	10.9	11.3	10.9	11.2	11.6	12.0	11.6	11.9	12.3	12.7
	HI PR	222	238	252	263	249	267	282	295	283	304	321	335	322	346	366	382	362	390	412	429	400	431	455	474
LO PR	104	111	121	129	110	117	128	136	114	121	133	141	120	128	139	148	126	134	146	155	130	138	151	161	
75	MBh	33.7	34.7	37.5	40.3	32.9	33.9	36.6	39.3	32.1	33.1	35.8	38.4	31.3	32.2	34.9	37.5	29.8	30.6	33.2	35.6	27.6	28.4	30.7	33.0
	S/T	0.84	0.75	0.57	0.37	0.87	0.78	0.59	0.38	0.89	0.80	0.60	0.39	0.92	0.82	0.62	0.40	0.95	0.85	0.65	0.42	0.96	0.86	0.65	0.42
	ΔT	22	20	16	11	22	20	17	11	22	20	17	11	22	20	17	11	22	20	16	11	20	19	15	11
	kW	2.30	2.34	2.41	2.48	2.46	2.51	2.59	2.67	2.61	2.66	2.74	2.83	2.73	2.79	2.88	2.97	2.84	2.90	2.99	3.09	2.94	3.00	3.09	3.19
	Amps	8.4	8.6	8.9	9.2	9.1	9.3	9.6	10.0	9.9	10.1	10.4	10.8	10.5	10.8	11.2	11.6	11.2	11.5	11.9	12.3	11.9	12.2	12.6	13.1
	HI PR	228	246	260	271	256	276	291	304	291	314	331	345	332	357	377	393	373	402	424	443	413	444	469	489
LO PR	107	114	124	133	113	120	131	140	118	125	137	146	124	131	144	153	130	138	150	160	134	143	156	166	
75	MBh	34.7	35.7	38.6	41.5	33.9	34.9	37.7	40.5	33.1	34.0	36.9	39.6	32.3	33.2	36.0	38.6	30.6	31.6	34.2	36.7	28.4	29.2	31.6	34.0
	S/T	0.88	0.79	0.60	0.38	0.91	0.81	0.62	0.40	0.93	0.84	0.63	0.41	0.96	0.86	0.65	0.42	1.00	0.90	0.68	0.44	1.00	0.90	0.68	0.44
	ΔT	21	19	16	11	21	19	16	11	21	19	16	11	21	20	16	11	21	19	16	11	19	18	15	10
	kW	2.32	2.36	2.43	2.50	2.48	2.53	2.61	2.69	2.63	2.68	2.76	2.85	2.76	2.81	2.90	2.99	2.86	2.93	3.02	3.11	2.96	3.02	3.12	3.22
	Amps	8.5	8.7	8.9	9.3	9.1	9.4	9.7	10.0	9.9	10.2	10.5	10.9	10.6	10.9	11.3	11.7	11.3	11.6	12.0	12.5	12.0	12.3	12.7	13.2
	HI PR	231	248	262	273	259	279	294	307	294	317	334	349	335	361	381	397	377	406	429	447	417	448	474	494
LO PR	108	115	126	134	114	122	133	141	119	126	138	147	125	133	145	154	131	139	152	162	135	144	157	167	

IDB = Entering Indoor Dry Bulb Temperature
 High and low pressures are measured at the liquid and suction service valves.
 Shaded area reflects ACCA (TVA) conditions
 Amps = outdoor unit amps (comp.+fan)
 kW = Total system power

EXPANDED COOLING DATA — ASX160361F* / CA*F4860*6D*+TXV (CONT.)

IDB	AIRFLOW	OUTDOOR AMBIENT TEMPERATURE												ENTERING INDOOR WET BULB TEMPERATURE												
		65°F				75°F				85°F				95°F				105°F				115°F				
		59	63	67	71	59	63	67	71	59	63	67	71	59	63	67	71	59	63	67	71	59	63	67	71	
80	1050	MBh	22.9	23.4	25.0	26.7	22.4	22.8	24.4	26.1	21.8	22.3	23.8	25.5	21.3	21.8	23.2	24.8	20.2	20.7	22.1	23.6	18.7	19.1	20.5	21.9
		S/T	0.86	0.81	0.66	0.5	0.90	0.84	0.68	0.51	0.92	0.86	0.70	0.5	0.95	0.89	0.72	0.54	0.98	0.92	0.75	0.6	0.99	0.93	0.76	0.57
	ΔT	26	25	22	17	26	25	22	18	26	25	22	18	27	25	22	18	26	25	22	17	24	23	20	16	
	kW	1.56	1.59	1.63	1.7	1.67	1.70	1.75	1.80	1.76	1.80	1.85	1.9	1.85	1.88	1.94	2.00	1.92	1.96	2.02	2.1	1.98	2.02	2.08	2.15	
	Amps	5.8	5.9	6.1	6.3	6.2	6.4	6.6	6.8	6.8	6.9	7.1	7.4	7.2	7.4	7.6	7.9	7.7	7.9	8.1	8.4	8.1	8.3	8.6	8.9	
	HI PR	209	225	238	248.3	235	253	267	279	267	288	304	316.9	304	328	346	361	343	369	389	406.0	378	407	430	449	
	LO PR	105	112	122	129.8	111	118	129	137	115	123	134	142.5	121	129	141	150	127	135	147	156.9	131	140	152	162	
	MBh	23.2	23.7	25.4	27.1	22.7	23.2	24.8	26.5	22.2	22.6	24.2	25.9	21.6	22.1	23.6	25.2	20.5	21.0	22.4	24.0	19.0	19.4	20.8	22.2	
	S/T	0.90	0.84	0.68	0.5	0.93	0.87	0.71	0.53	0.95	0.89	0.73	0.5	0.98	0.92	0.75	0.56	1.00	0.96	0.78	0.6	1.00	0.96	0.78	0.59	
	ΔT	26	24	21	17	26	25	22	17	26	25	22	17	26	25	22	17	25	25	21	17	23	23	20	16	
kW	1.58	1.61	1.65	1.7	1.69	1.72	1.77	1.83	1.79	1.82	1.88	1.9	1.87	1.91	1.97	2.03	1.94	1.98	2.04	2.1	2.01	2.05	2.11	2.18		
Amps	5.9	6.0	6.2	6.4	6.3	6.5	6.7	6.9	6.9	7.0	7.3	7.5	7.3	7.5	7.7	8.0	7.8	8.0	8.2	8.5	8.2	8.4	8.7	9.0		
HI PR	213	229	242	252.6	239	257	272	283	272	293	309	322.3	310	333	352	367	348	375	396	413.0	385	414	438	456		
LO PR	107	114	124	132.0	113	120	131	140	117	125	136	145.0	123	131	143	152	129	137	150	159.6	133	142	155	165		
MBh	24.1	24.6	26.3	28.1	23.5	24.0	25.6	27.4	22.9	23.4	25.0	26.8	22.4	22.9	24.4	26.1	21.3	21.7	23.2	24.8	19.7	20.1	21.5	23.0		
S/T	0.95	0.89	0.73	0.5	1.00	0.93	0.75	0.56	1.00	0.95	0.77	0.6	1.00	1.00	0.80	0.60	1.00	1.00	0.83	0.6	1.00	1.00	0.83	0.62		
ΔT	23	22	19	16	24	23	20	16	23	23	20	16	23	23	20	16	22	22	20	16	20	21	18	15		
kW	1.60	1.63	1.68	1.7	1.71	1.75	1.80	1.85	1.81	1.85	1.90	2.0	1.90	1.94	2.00	2.06	1.97	2.01	2.08	2.1	2.04	2.08	2.14	2.21		
Amps	6.0	6.1	6.3	6.5	6.4	6.6	6.8	7.1	7.0	7.2	7.4	7.7	7.5	7.6	7.9	8.2	7.9	8.1	8.4	8.7	8.4	8.6	8.9	9.2		
HI PR	217	234	247	257.6	244	262	277	289	277	299	315	328.8	316	340	359	374	355	383	404	421.3	393	423	446	465		
LO PR	109	116	126	134.7	115	122	134	142	120	127	139	147.9	126	134	146	155	132	140	153	162.8	136	145	158	168		
85	1050	MBh	23.3	23.7	24.9	26.5	22.7	23.2	24.7	26.3	22.5	23.0	24.1	25.7	22.0	22.4	23.5	25.1	20.9	21.3	22.3	23.8	19.4	19.7	20.7	22.0
		S/T	0.91	0.87	0.79	0.64	0.94	0.91	0.82	0.66	0.96	0.93	0.84	0.68	0.99	0.96	0.87	0.70	1.00	1.00	0.90	0.73	1.00	1.00	0.91	0.73
	ΔT	28	27	26	22	28	28	26	23	28	28	26	23	28	28	26	23	27	27	26	22	24	24	24	21	
	kW	1.57	1.60	1.65	1.69	1.68	1.71	1.76	1.82	1.78	1.81	1.87	1.92	1.86	1.90	1.96	2.02	1.93	1.97	2.03	2.10	2.00	2.04	2.10	2.17	
	Amps	5.8	6.0	6.2	6.4	6.3	6.4	6.6	6.9	6.8	7.0	7.2	7.5	7.3	7.5	7.7	8.0	7.7	7.9	8.2	8.5	8.2	8.4	8.7	9.0	
	HI PR	212	228	240	251	237	255	270	281	270	291	307	320	308	331	349	365	346	372	393	410	382	411	434	453	
	LO PR	106	113	123	131	112	119	130	139	116	124	135	144	122	130	142	151	128	136	149	158	133	141	154	164	
	MBh	23.6	24.1	25.2	26.9	23.1	23.5	24.7	26.3	22.5	23.0	24.1	25.7	22.0	22.4	23.5	25.1	20.9	21.3	22.3	23.8	19.4	19.7	20.7	22.0	
	S/T	0.94	0.91	0.82	0.66	0.97	0.94	0.85	0.69	1.00	0.96	0.87	0.71	1.00	0.99	0.90	0.73	1.00	1.00	0.93	0.76	1.00	1.00	0.94	0.76	
	ΔT	27	27	25	22	28	27	26	22	28	27	26	22	27	27	26	22	26	26	25	22	24	24	24	21	
kW	1.59	1.62	1.67	1.72	1.70	1.73	1.79	1.84	1.80	1.83	1.89	1.95	1.89	1.92	1.98	2.04	1.96	2.00	2.06	2.12	2.02	2.06	2.13	2.20		
Amps	5.9	6.1	6.3	6.5	6.4	6.5	6.7	7.0	6.9	7.1	7.3	7.6	7.4	7.6	7.8	8.1	7.9	8.0	8.3	8.6	8.3	8.5	8.8	9.1		
HI PR	215	232	245	255	242	260	274	286	275	296	312	326	313	337	356	371	352	379	400	417	389	418	442	461		
LO PR	108	115	125	133	114	121	132	141	118	126	137	146	124	132	144	154	130	139	151	161	135	143	157	167		
MBh	24.5	24.9	26.1	27.9	23.9	24.4	25.5	27.2	23.3	23.8	24.9	26.6	22.8	23.2	24.3	25.9	21.6	22.0	23.1	24.6	20.0	20.4	21.4	22.8		
S/T	1.00	0.96	0.87	0.71	1.00	1.00	0.90	0.73	1.00	1.00	0.92	0.75	1.00	1.00	0.95	0.77	1.00	1.00	0.99	0.80	1.00	1.00	0.94	0.81		
ΔT	25	25	23	20	24	25	23	20	24	24	24	20	23	24	24	20	22	23	23	20	20	21	22	19		
kW	1.61	1.64	1.69	1.74	1.73	1.76	1.81	1.87	1.83	1.86	1.92	1.98	1.91	1.95	2.01	2.08	1.99	2.03	2.09	2.16	2.05	2.10	2.16	2.23		
Amps	6.0	6.2	6.4	6.6	6.5	6.7	6.9	7.1	7.1	7.2	7.5	7.7	7.5	7.7	8.0	8.3	8.0	8.2	8.5	8.8	8.5	8.7	9.0	9.3		
HI PR	220	236	249	260	246	265	280	292	280	302	318	332	319	343	363	378	359	386	408	426	397	427	451	470		
LO PR	110	117	128	136	116	124	135	144	121	128	140	149	127	135	147	157	133	141	154	164	137	146	160	170		

IDB = Entering Indoor Dry Bulb Temperature
 High and low pressures are measured at the liquid and suction service valves.
 Shaded area reflects AHRI Rating conditions
 Amps = outdoor unit amps (comp.+fan)
 kW = Total system power

EXPANDED COOLING DATA — ASX160421F* / CA*F4860*6D* +TXV

IDB	AIRFLOW	OUTDOOR AMBIENT TEMPERATURE																									
		65°F				75°F				85°F				95°F				105°F				115°F					
		59	63	67	71	59	63	67	71	59	63	67	71	59	63	67	71	59	63	67	71	59	63	67	71		
70	1225	MBh	36.9	38.2	41.9	-	36.0	37.3	40.9	-	35.2	36.4	39.9	-	34.3	35.6	39.0	-	32.6	33.8	37.0	-	30.2	31.3	34.3	-	
		S/T	0.70	0.59	0.41	-	0.73	0.61	0.42	-	0.75	0.62	0.43	-	0.77	0.64	0.45	-	0.80	0.67	0.46	-	0.81	0.67	0.47	-	
		ΔT	19	17	13	-	20	17	13	-	20	17	13	-	20	17	13	-	20	17	13	-	18	16	12	-	
	1400	kW	2.70	2.76	2.83	-	2.89	2.95	3.03	-	3.06	3.12	3.21	-	3.20	3.27	3.37	-	3.33	3.39	3.50	-	3.43	3.50	3.61	-	
		Amps	9.9	10.1	10.4	-	10.7	10.9	11.3	-	11.6	11.8	12.2	-	12.3	12.6	13.1	-	13.1	13.4	13.9	-	13.9	14.2	14.7	-	
		HI PR	220	237	250	-	247	265	280	-	281	302	319	-	320	344	363	-	359	387	409	-	397	427	451	-	
	1575	LO PR	102	109	119	-	108	115	125	-	112	119	130	-	118	125	137	-	124	131	143	-	128	136	148	-	
		MBh	40.0	41.4	45.4	-	39.0	40.5	44.3	-	38.1	39.5	43.3	-	37.2	38.5	42.2	-	35.3	36.6	40.1	-	32.7	33.9	37.1	-	
		S/T	0.73	0.61	0.42	-	0.75	0.63	0.44	-	0.77	0.65	0.45	-	0.80	0.67	0.46	-	0.83	0.69	0.48	-	0.84	0.70	0.48	-	
	75	1225	ΔT	19	17	13	-	19	17	13	-	19	17	13	-	19	17	13	-	19	17	13	-	18	16	12	-
			kW	2.76	2.82	2.90	-	2.96	3.02	3.10	-	3.13	3.19	3.29	-	3.28	3.34	3.45	-	3.40	3.48	3.58	-	3.51	3.59	3.70	-
			Amps	10.1	10.4	10.7	-	10.9	11.2	11.6	-	11.9	12.2	12.6	-	12.7	13.0	13.4	-	13.5	13.8	14.3	-	14.3	14.6	15.1	-
1400		HI PR	227	244	258	-	254	274	289	-	289	311	329	-	329	355	374	-	371	399	421	-	409	441	465	-	
		LO PR	105	112	122	-	111	118	129	-	116	123	134	-	122	129	141	-	127	135	148	-	132	140	153	-	
		MBh	41.2	42.7	46.7	-	40.2	41.7	45.7	-	39.2	40.7	44.6	-	38.3	39.7	43.5	-	36.4	37.7	41.3	-	33.7	34.9	38.3	-	
1575		S/T	0.76	0.64	0.44	-	0.79	0.66	0.46	-	0.81	0.68	0.47	-	0.84	0.70	0.48	-	0.87	0.73	0.50	-	0.88	0.73	0.51	-	
		ΔT	18	16	12	-	19	16	12	-	19	16	12	-	19	16	12	-	18	16	12	-	17	15	11	-	
		kW	2.78	2.84	2.92	-	2.98	3.04	3.13	-	3.15	3.21	3.31	-	3.30	3.37	3.47	-	3.43	3.50	3.61	-	3.54	3.62	3.73	-	
75		1225	Amps	10.2	10.5	10.8	-	11.0	11.3	11.7	-	12.0	12.3	12.7	-	12.8	13.1	13.6	-	13.6	14.0	14.4	-	14.4	14.8	15.3	-
			HI PR	222	239	252	263	249	268	283	295	283	305	322	336	323	347	367	383	363	391	413	430	401	432	456	476
			LO PR	103	110	120	128	109	116	127	135	113	121	132	140	119	127	138	147	125	133	145	154	129	137	150	160
	1400	MBh	40.6	41.8	45.3	48.6	39.7	40.9	44.2	47.5	38.7	39.9	43.2	46.3	37.8	38.9	42.1	45.2	35.9	37.0	40.0	43.0	33.3	34.2	37.1	39.8	
		S/T	0.83	0.74	0.56	0.36	0.86	0.77	0.58	0.37	0.88	0.79	0.60	0.38	0.91	0.81	0.61	0.40	0.94	0.84	0.64	0.41	0.95	0.85	0.64	0.41	
		ΔT	22	20	17	12	22	21	17	12	22	21	17	12	23	21	17	12	22	20	17	12	21	19	16	11	
	1575	kW	2.78	2.84	2.92	3.01	2.98	3.04	3.13	3.22	3.15	3.21	3.31	3.41	3.30	3.37	3.47	3.58	3.43	3.50	3.61	3.72	3.54	3.62	3.73	3.85	
		Amps	10.2	10.5	10.8	11.2	11.0	11.3	11.7	12.1	12.0	12.3	12.7	13.2	12.8	13.1	13.6	14.1	13.6	14.0	14.4	15.0	14.4	14.8	15.3	15.9	
		HI PR	229	246	260	271	257	276	292	305	292	314	332	346	333	358	378	394	374	403	425	444	414	445	470	490	
	1575	LO PR	106	113	124	132	112	120	131	139	117	124	136	145	123	131	143	152	129	137	149	159	133	142	155	165	
		MBh	41.9	43.1	46.6	50.1	40.9	42.1	45.6	48.9	39.9	41.1	44.5	47.7	38.9	40.1	43.4	46.6	37.0	38.1	41.2	44.2	34.3	35.3	38.2	41.0	
		S/T	0.87	0.78	0.59	0.38	0.90	0.80	0.61	0.39	0.92	0.82	0.62	0.40	0.95	0.85	0.64	0.41	0.99	0.88	0.67	0.43	1.00	0.89	0.67	0.43	
1575	ΔT	21	20	16	11	21	20	16	11	21	20	16	11	22	20	16	11	21	20	16	11	20	18	15	10		
	kW	2.80	2.86	2.94	3.03	3.00	3.06	3.15	3.25	3.17	3.24	3.34	3.44	3.33	3.40	3.50	3.61	3.46	3.53	3.64	3.75	3.57	3.65	3.76	3.88		
	Amps	10.3	10.6	10.9	11.3	11.1	11.4	11.8	12.2	12.1	12.4	12.8	13.3	12.9	13.2	13.7	14.2	13.8	14.1	14.6	15.1	14.6	14.9	15.4	16.0		
1575	HI PR	231	249	263	274	259	279	295	308	295	318	335	350	336	362	382	398	378	407	430	448	418	450	475	495		
	LO PR	107	114	125	133	114	121	132	140	118	126	137	146	124	132	144	153	130	138	151	161	134	143	156	166		

IDB = Entering Indoor Dry Bulb Temperature
 High and low pressures are measured at the liquid and suction service valves.
 Shaded area reflects ACCA (TVA) conditions
 Amps = outdoor unit amps (comp.+fan)
 kW = Total system power

EXPANDED COOLING DATA — ASX160421F* / CA*F4860*6D* +TXV (CONT.)

IDB	AIRFLOW	OUTDOOR AMBIENT TEMPERATURE																																																																											
		65°F					75°F					85°F						95°F					105°F					115°F																																																	
		59	63	67	71	75	59	63	67	71	75	59	63	67	71	75		59	63	67	71	75	59	63	67	71	75	59	63	67	71	75																																													
80	1225	MBh	38.2	39.0	41.7	44.5	37.3	38.1	40.7	43.5	36.4	37.2	39.7	42.5	35.5	36.3	38.8	41.4	33.7	34.5	36.8	39.4	31.2	31.9	34.1	36.5	S/T	0.88	0.82	0.67	0.5	0.91	0.85	0.69	0.52	0.93	0.87	0.71	0.5	0.96	0.90	0.73	0.55	1.00	0.93	0.76	0.6	1.00	0.94	0.77	0.57	ΔT	25	24	21	17	25	24	21	17	25	24	21	17	26	25	21	17	25	24	21	17	24	23	20	16	
		kW	2.74	2.80	2.88	3.0	2.93	2.99	3.08	3.17	3.10	3.17	3.26	3.4	3.25	3.32	3.42	3.52	3.38	3.45	3.55	3.7	3.49	3.56	3.67	3.79	Amps	10.0	10.3	10.6	11.0	10.8	11.1	11.5	11.9	11.8	12.1	12.5	12.9	12.6	12.9	13.3	13.8	13.4	13.7	14.2	14.7	14.2	14.5	15.0	15.6																										
		HI PR	224	241	255	265.9	252	271	286	298	286	308	325	339.3	326	351	371	386	367	395	417	434.8	405	436	461	480	LO PR	104	111	121	129.0	110	117	128	136	114	122	133	141.6	120	128	140	149	126	134	146	155.9	130	139	151	161																										
	1400	MBh	41.4	42.3	45.2	48.3	40.4	41.3	44.1	47.1	39.4	40.3	43.1	46.0	38.5	39.3	42.0	44.9	36.5	37.3	39.9	42.7	33.9	34.6	37.0	39.5	S/T	0.91	0.85	0.69	0.5	0.94	0.88	0.72	0.54	0.96	0.90	0.74	0.6	1.00	0.93	0.76	0.57	1.00	0.97	0.79	0.6	1.00	0.98	0.80	0.59	ΔT	25	24	21	16	25	24	21	17	25	24	21	17	25	24	21	17	24	24	21	17	22	22	19	15	
		kW	2.80	2.86	2.94	3.0	3.00	3.06	3.15	3.25	3.18	3.24	3.34	3.4	3.33	3.40	3.50	3.61	3.46	3.53	3.64	3.8	3.57	3.65	3.76	3.88	Amps	10.3	10.6	10.9	11.3	11.1	11.4	11.8	12.2	12.1	12.4	12.8	13.3	12.9	13.2	13.7	14.2	13.8	14.1	14.6	15.1	14.6	14.9	15.4	16.0																										
		HI PR	231	249	263	274.1	260	279	295	308	295	318	335	349.8	336	362	382	398	378	407	430	448.2	418	450	475	495	LO PR	107	114	125	133.0	114	121	132	140	118	126	137	146.0	124	132	144	153	130	138	151	160.7	134	143	156	166																										
	1575	MBh	42.6	43.5	46.5	49.7	41.6	42.5	45.4	48.6	40.6	41.5	44.3	47.4	39.6	40.5	43.3	46.2	37.6	38.5	41.1	43.9	34.9	35.6	38.1	40.7	S/T	0.95	0.89	0.73	0.5	1.00	0.93	0.75	0.56	1.00	0.95	0.77	0.6	1.00	1.00	0.80	0.60	1.00	1.00	0.83	0.6	1.00	1.00	0.83	0.62	ΔT	24	23	20	16	24	23	20	16	24	23	20	16	23	24	20	16	22	22	20	16	20	21	19	15	
		kW	2.82	2.88	2.96	3.1	3.02	3.08	3.17	3.27	3.20	3.26	3.36	3.5	3.35	3.42	3.53	3.64	3.49	3.56	3.67	3.8	3.60	3.67	3.79	3.91	Amps	10.4	10.7	11.0	11.4	11.2	11.5	11.9	12.3	12.2	12.5	12.9	13.4	13.0	13.4	13.8	14.3	13.9	14.2	14.7	15.2	14.7	15.1	15.6	16.2																										
		HI PR	234	251	265	276.9	262	282	298	311	298	321	339	353.3	340	365	386	402	382	411	434	452.7	422	454	480	500	LO PR	109	116	126	134.3	115	122	133	142	119	127	138	147.5	125	133	145	155	131	140	152	162.3	136	144	158	168																										
	85	1225	MBh	38.8	39.6	41.5	44.2	37.9	38.7	40.5	43.2	37.0	37.7	39.5	42.2	36.1	36.8	38.6	41.2	34.3	35.0	36.6	39.1	31.8	32.4	33.9	36.2	S/T	0.92	0.89	0.80	0.65	0.95	0.92	0.83	0.67	0.98	0.94	0.85	0.69	1.00	0.97	0.88	0.71	1.00	1.00	0.91	0.74	1.00	1.00	0.92	0.74	ΔT	27	26	25	22	27	27	25	22	27	27	25	22	27	27	25	22	26	26	25	22	24	24	23	20
			kW	2.76	2.82	2.90	2.98	2.96	3.01	3.10	3.20	3.13	3.19	3.28	3.38	3.28	3.28	3.34	3.44	3.55	3.40	3.47	3.58	3.69	3.51	3.59	3.70	3.82	Amps	10.1	10.4	10.7	11.1	10.9	11.2	11.6	12.0	11.9	12.2	12.6	13.0	12.7	13.0	13.4	13.9	13.5	13.8	14.3	14.8	14.3	14.6	15.1	15.7																								
			HI PR	227	244	257	269	254	274	289	301	289	311	329	343	329	354	374	390	371	399	421	439	409	441	465	485	LO PR	105	112	122	130	111	118	129	138	116	123	134	143	121	129	141	150	127	135	148	157	132	140	153	163																									
		1400	MBh	42.1	42.9	44.9	47.9	41.1	41.9	43.9	46.8	40.1	40.9	42.8	45.7	39.1	39.9	41.8	44.6	37.2	37.9	39.7	42.4	34.4	35.1	36.8	39.2	S/T	0.95	0.92	0.83	0.67	0.99	0.95	0.86	0.70	1.00	0.98	0.88	0.71	1.00	1.00	0.91	0.74	1.00	1.00	0.94	0.77	1.00	1.00	0.95	0.77	ΔT	26	26	24	21	27	26	25	21	26	26	25	21	26	26	25	22	24	25	25	22	23	23	20	
			kW	2.82	2.88	2.96	3.05	3.02	3.08	3.17	3.27	3.20	3.26	3.36	3.47	3.35	3.42	3.53	3.64	3.49	3.56	3.67	3.78	3.60	3.67	3.79	3.91	Amps	10.4	10.7	11.0	11.4	11.2	11.5	11.9	12.3	12.2	12.5	12.9	13.4	13.0	13.4	13.8	14.3	13.9	14.2	14.7	15.2	14.7	15.1	15.6	16.2																									
			HI PR	234	251	265	277	262	282	298	311	298	321	339	353	340	365	386	402	382	411	434	453	422	454	480	500	LO PR	109	116	126	134	115	122	133	142	119	127	138	147	125	133	145	155	131	140	152	162	136	144	158	168																									
1575		MBh	43.3	44.2	46.3	49.4	42.3	43.2	45.2	48.2	41.3	42.1	44.1	47.1	40.3	41.1	43.0	45.9	38.3	39.0	40.9	43.6	35.5	36.2	37.9	40.4	S/T	1.00	0.96	0.87	0.70	1.00	1.00	0.90	0.73	1.00	1.00	0.92	0.75	1.00	1.00	0.95	0.77	1.00	1.00	0.99	0.80	1.00	1.00	1.00	0.81	ΔT	25	25	23	20	25	25	24	21	24	25	24	21	24	24	24	21	22	23	24	20	21	21	19		
		kW	2.85	2.90	2.98	3.07	3.05	3.11	3.20	3.30	3.22	3.29	3.39	3.49	3.38	3.45	3.55	3.67	3.51	3.59	3.70	3.81	3.63	3.70	3.82	3.94	Amps	10.5	10.8	11.1	11.5	11.3	11.6	12.0	12.4	12.3	12.6	13.0	13.5	13.2	13.5	13.9	14.5	14.0	14.3	14.8	15.4	14.8	15.2	15.7	16.3																										
		HI PR	236	254	268	280	265	285	301	314	301	324	342	357	343	369	390	406	386	415	438	457	426	459	484	505	LO PR	110	117	127	136	116	123	135	143	120	128	140	149	126	135	147	156	133	141	154	164	137	146	159	170																										

Amps = outdoor unit amps (comp.+fan)
kW = Total system power

Shaded area reflects AHRI Rating conditions

IDB = Entering Indoor Dry Bulb Temperature
High and low pressures are measured at the liquid and suction service valves.

EXPANDED COOLING DATA — ASX160481F* / CA*F4961*6D* +TXV

IDB	AIRFLOW	OUTDOOR AMBIENT TEMPERATURE																									
		65°F				75°F				85°F				95°F				105°F				115°F					
		59	63	67	71	59	63	67	71	59	63	67	71	59	63	67	71	59	63	67	71	59	63	67	71		
70	1400	MBh	42.6	44.2	48.4	-	41.6	43.2	47.3	-	40.7	42.1	46.2	-	39.7	41.1	45.0	-	37.7	39.1	42.8	-	34.9	36.2	39.6	-	
		S/T	0.70	0.59	0.41	-	0.73	0.61	0.42	-	0.75	0.62	0.43	-	0.77	0.64	0.45	-	0.80	0.67	0.46	-	0.81	0.67	0.47	-	
		ΔT	20	17	13	-	20	17	13	-	20	17	13	-	20	17	13	-	20	17	13	-	18	16	12	-	
		kW	2.95	3.01	3.09	-	3.16	3.22	3.32	-	3.34	3.41	3.51	-	3.50	3.57	3.68	-	3.64	3.71	3.83	-	3.76	3.84	3.95	-	
		Amps	10.8	11.0	11.4	-	11.7	11.9	12.3	-	12.7	13.0	13.4	-	13.5	13.9	14.3	-	14.4	14.7	15.2	-	15.3	15.6	16.2	-	
		HI PR	221	238	251	-	248	267	282	-	282	304	321	-	321	346	365	-	361	389	411	-	399	430	454	-	
	LO PR	105	112	122	-	111	118	129	-	115	123	134	-	121	129	141	-	127	135	147	-	131	140	152	-		
	MBh	43.3	44.9	49.2	-	42.3	43.8	48.0	-	41.3	42.8	46.9	-	40.3	41.7	45.7	-	38.3	39.6	43.4	-	35.4	36.7	40.2	-		
	S/T	0.73	0.61	0.42	-	0.75	0.63	0.44	-	0.77	0.65	0.45	-	0.80	0.67	0.46	-	0.83	0.69	0.48	-	0.84	0.70	0.48	-		
	ΔT	19	17	13	-	20	17	13	-	20	17	13	-	20	17	13	-	19	17	13	-	18	16	12	-		
	kW	2.99	3.05	3.13	-	3.20	3.26	3.36	-	3.38	3.45	3.56	-	3.55	3.62	3.73	-	3.69	3.76	3.88	-	3.81	3.89	4.01	-		
	Amps	11.0	11.2	11.6	-	11.8	12.1	12.5	-	12.9	13.2	13.6	-	13.7	14.1	14.5	-	14.6	15.0	15.5	-	15.5	15.9	16.4	-		
HI PR	225	242	256	-	252	272	287	-	287	309	326	-	327	352	371	-	368	396	418	-	406	437	462	-			
LO PR	107	114	124	-	113	120	131	-	117	125	136	-	123	131	143	-	129	137	150	-	134	142	155	-			
MBh	44.8	46.4	50.9	-	43.8	45.4	49.7	-	42.7	44.3	48.5	-	41.7	43.2	47.3	-	39.6	41.0	45.0	-	36.7	38.0	41.6	-			
S/T	0.77	0.65	0.45	-	0.80	0.67	0.46	-	0.82	0.69	0.48	-	0.85	0.71	0.49	-	0.88	0.74	0.51	-	0.89	0.74	0.51	-			
ΔT	18	15	12	-	18	16	12	-	18	16	12	-	18	16	12	-	18	15	12	-	17	14	11	-			
kW	3.03	3.09	3.18	-	3.25	3.31	3.41	-	3.44	3.51	3.61	-	3.60	3.68	3.79	-	3.75	3.82	3.94	-	3.87	3.95	4.07	-			
Amps	11.2	11.4	11.8	-	12.1	12.3	12.8	-	13.1	13.4	13.9	-	14.0	14.3	14.8	-	14.9	15.3	15.8	-	15.8	16.2	16.7	-			
HI PR	229	247	261	-	257	277	292	-	293	315	333	-	333	359	379	-	375	404	426	-	414	446	471	-			
LO PR	109	116	127	-	115	122	134	-	120	127	139	-	126	134	146	-	132	140	153	-	136	145	158	-			
75	1400	MBh	43.4	44.6	48.3	51.9	42.4	43.6	47.2	50.7	41.3	42.6	46.1	49.5	40.3	41.5	45.0	48.2	38.3	39.5	42.7	45.8	35.5	36.5	39.6	42.5	
		S/T	0.80	0.71	0.54	0.35	0.83	0.74	0.56	0.36	0.88	0.79	0.60	0.38	0.91	0.81	0.61	0.40	0.94	0.84	0.64	0.41	0.92	0.82	0.62	0.40	
		ΔT	23	21	17	12	23	21	17	12	23	21	17	12	23	21	17	12	23	21	17	12	23	21	17	12	
		kW	2.97	3.03	3.12	3.21	3.18	3.25	3.34	3.44	3.37	3.43	3.54	3.65	3.53	3.53	3.60	3.71	3.83	3.67	3.74	3.86	3.98	3.79	3.87	3.99	4.11
		Amps	10.9	11.2	11.5	11.9	11.8	12.0	12.4	12.9	12.8	13.1	13.5	14.0	13.7	14.0	14.5	15.0	14.5	14.5	14.9	15.4	16.0	15.4	15.8	16.3	16.9
		HI PR	223	240	254	265	251	270	285	297	285	307	324	338	325	349	369	385	385	365	393	415	433	403	434	458	478
	LO PR	106	113	123	131	112	119	130	139	116	124	135	144	122	130	142	151	151	128	136	149	159	133	141	154	164	
	MBh	44.0	45.3	49.1	52.7	43.0	44.3	47.9	51.4	42.0	43.2	46.8	50.2	41.0	42.2	45.6	49.0	42.2	38.9	40.1	43.4	46.5	36.0	37.1	40.2	43.1	
	S/T	0.83	0.74	0.56	0.36	0.86	0.77	0.58	0.37	0.88	0.79	0.60	0.38	0.91	0.81	0.61	0.40	0.94	0.84	0.64	0.41	0.95	0.85	0.64	0.41		
	ΔT	22	21	17	12	23	21	17	12	23	21	17	12	23	21	17	12	22	22	21	17	12	21	19	16	11	
	kW	3.01	3.07	3.16	3.25	3.22	3.29	3.38	3.49	3.41	3.48	3.59	3.70	3.58	3.65	3.76	3.88	3.72	3.72	3.79	3.91	4.04	3.84	3.92	4.04	4.17	
	Amps	11.1	11.3	11.7	12.1	12.0	12.2	12.6	13.1	13.0	13.3	13.7	14.3	13.9	14.2	14.7	15.2	14.8	14.8	15.1	15.6	16.2	15.6	16.0	16.6	17.2	
HI PR	227	244	258	269	255	274	290	302	290	312	329	344	330	355	375	391	371	371	400	422	440	410	442	466	486		
LO PR	108	115	125	133	114	121	132	141	118	126	138	147	124	132	145	154	154	130	139	151	161	135	144	157	167		
MBh	45.6	46.9	50.8	54.5	44.5	45.8	49.6	53.2	43.4	44.7	48.4	52.0	42.4	43.6	47.2	50.7	42.4	40.3	41.5	44.9	48.2	37.3	38.4	41.6	44.6		
S/T	0.88	0.79	0.60	0.38	0.91	0.82	0.62	0.40	0.93	0.84	0.63	0.41	0.96	0.86	0.65	0.42	1.00	0.90	0.68	0.44	1.00	0.90	0.68	0.44			
ΔT	20	19	15	11	21	19	16	11	21	19	16	11	21	19	16	11	21	21	19	16	11	19	18	15	10		
kW	3.05	3.11	3.20	3.30	3.27	3.34	3.44	3.54	3.46	3.53	3.64	3.75	3.63	3.71	3.82	3.94	3.78	3.78	3.85	3.97	4.10	3.90	3.98	4.11	4.24		
Amps	11.3	11.5	11.9	12.3	12.2	12.5	12.9	13.4	13.2	13.5	14.0	14.5	14.1	14.5	15.0	15.5	15.0	15.0	15.4	15.9	16.5	15.9	16.3	16.9	17.5		
HI PR	232	249	263	275	260	280	295	308	296	318	336	350	337	362	383	399	379	379	408	431	449	419	451	476	496		
LO PR	110	117	128	136	116	124	135	144	121	129	140	149	127	135	147	157	157	133	142	155	165	138	146	160	170		

IDB = Entering Indoor Dry Bulb Temperature
 High and low pressures are measured at the liquid and suction service valves.
 Shaded area reflects ACCA (TVA) conditions
 Amps = outdoor unit amps (comp.+fan)
 kW = Total system power

EXPANDED COOLING DATA — ASX160601F* / CA*F4961*6D*+TXV

IDB	AIRFLOW	OUTDOOR AMBIENT TEMPERATURE												ENTERING INDOOR WET BULB TEMPERATURE											
		65°F				75°F				85°F				95°F				105°F				115°F			
		59	63	67	71	59	63	67	71	59	63	67	71	59	63	67	71	59	63	67	71	59	63	67	71
70	MBh	51.9	53.8	58.9	-	50.7	52.5	57.6	-	49.5	51.3	56.2	-	48.3	50.0	54.8	-	45.9	47.5	52.1	-	42.5	44.0	48.2	-
	S/T	0.74	0.62	0.43	-	0.77	0.64	0.45	-	0.79	0.66	0.46	-	0.81	0.68	0.47	-	0.85	0.71	0.49	-	0.85	0.71	0.49	-
	ΔT	20	18	13	-	20	18	13	-	21	18	13	-	21	18	14	-	20	18	13	-	19	16	12	-
	kW	3.55	3.62	3.73	-	3.80	3.88	3.99	-	4.03	4.11	4.23	-	4.22	4.31	4.44	-	4.39	4.48	4.62	-	4.53	4.63	4.77	-
	Amps	13.2	13.5	14.0	-	14.3	14.6	15.1	-	15.5	15.9	16.4	-	16.6	17.0	17.5	-	17.6	18.0	18.6	-	18.6	19.1	19.7	-
	HI PR	217	233	246	-	243	262	276	-	276	297	314	-	315	339	358	-	354	381	403	-	391	421	445	-
	LO PR	103	109	119	-	109	115	126	-	113	120	131	-	118	126	138	-	124	132	144	-	128	137	149	-
	MBh	51.4	53.2	58.3	-	50.2	52.0	57.0	-	49.0	50.8	55.6	-	47.8	49.5	54.3	-	45.4	47.1	51.6	-	42.1	43.6	47.8	-
	S/T	0.73	0.61	0.42	-	0.75	0.63	0.44	-	0.77	0.65	0.45	-	0.80	0.67	0.46	-	0.83	0.69	0.48	-	0.84	0.70	0.48	-
	ΔT	21	18	14	-	21	19	14	-	21	19	14	-	22	19	14	-	21	18	14	-	20	17	13	-
kW	3.55	3.61	3.72	-	3.80	3.87	3.99	-	4.02	4.10	4.22	-	4.21	4.30	4.43	-	4.38	4.47	4.61	-	4.52	4.61	4.76	-	
Amps	13.2	13.5	13.9	-	14.2	14.6	15.1	-	15.5	15.8	16.3	-	16.5	16.9	17.5	-	17.6	18.0	18.6	-	18.6	19.0	19.7	-	
HI PR	216	232	245	-	242	261	275	-	276	297	313	-	314	338	357	-	353	380	401	-	390	420	443	-	
LO PR	102	109	119	-	108	115	126	-	112	120	131	-	118	126	137	-	124	132	144	-	128	136	149	-	
MBh	53.2	55.1	60.4	-	51.9	53.8	59.0	-	50.7	52.5	57.6	-	49.5	51.3	56.2	-	47.0	48.7	53.4	-	43.5	45.1	49.4	-	
S/T	0.77	0.65	0.45	-	0.80	0.67	0.46	-	0.82	0.69	0.48	-	0.85	0.71	0.49	-	0.88	0.74	0.51	-	0.89	0.74	0.51	-	
ΔT	17	15	11	-	17	15	11	-	17	15	11	-	17	15	11	-	17	15	11	-	16	14	10	-	
kW	3.60	3.67	3.77	-	3.85	3.93	4.05	-	4.08	4.16	4.29	-	4.28	4.36	4.50	-	4.44	4.54	4.68	-	4.59	4.69	4.83	-	
Amps	13.4	13.7	14.2	-	14.5	14.8	15.3	-	15.7	16.1	16.6	-	16.8	17.2	17.8	-	17.9	18.3	18.9	-	18.9	19.4	20.0	-	
HI PR	220	237	250	-	247	266	281	-	281	303	319	-	320	345	364	-	360	388	409	-	398	428	452	-	
LO PR	104	111	121	-	110	117	128	-	115	122	133	-	120	128	140	-	126	134	147	-	131	139	152	-	
75	MBh	52.8	54.3	58.8	63.1	51.5	53.1	57.4	61.6	50.3	51.8	56.1	60.2	49.1	50.5	54.7	58.7	46.6	48.0	52.0	55.8	43.2	44.5	48.1	51.7
	S/T	0.84	0.75	0.57	0.37	0.87	0.78	0.59	0.38	0.90	0.80	0.61	0.39	0.93	0.83	0.63	0.40	0.96	0.86	0.65	0.42	0.97	0.87	0.66	0.42
	ΔT	23	22	18	12	24	22	18	12	24	22	18	12	24	22	18	12	24	22	18	12	22	20	17	11
	kW	3.58	3.65	3.76	3.87	3.83	3.91	4.03	4.15	4.06	4.14	4.26	4.40	4.25	4.34	4.48	4.62	4.42	4.51	4.65	4.80	4.57	4.66	4.81	4.96
	Amps	13.4	13.7	14.1	14.6	14.4	14.8	15.2	15.8	15.6	16.0	16.5	17.2	16.7	17.1	17.7	18.3	17.8	18.2	18.8	19.5	18.8	19.3	19.9	20.7
	HI PR	219	235	249	259	246	264	279	291	279	301	317	331	318	342	361	377	358	385	407	424	395	425	449	469
	LO PR	104	110	121	128	110	117	127	136	114	121	132	141	120	127	139	148	125	133	146	155	130	138	151	160
	MBh	52.2	53.8	58.2	62.5	51.0	52.5	56.9	61.0	49.8	51.3	55.5	59.6	48.6	50.0	54.2	58.1	46.2	47.5	51.5	55.2	42.8	44.0	47.7	51.2
	S/T	0.83	0.74	0.56	0.36	0.86	0.77	0.58	0.37	0.88	0.79	0.60	0.38	0.91	0.81	0.61	0.40	0.94	0.84	0.64	0.41	0.95	0.85	0.64	0.41
	ΔT	24	23	18	13	25	23	19	13	25	23	19	13	25	23	19	13	25	23	19	13	23	21	17	12
kW	3.57	3.64	3.75	3.86	3.82	3.90	4.02	4.14	4.05	4.13	4.25	4.39	4.24	4.33	4.46	4.60	4.41	4.50	4.64	4.79	4.56	4.65	4.80	4.95	
Amps	13.3	13.6	14.1	14.6	14.4	14.7	15.2	15.8	15.6	16.0	16.5	17.1	16.7	17.1	17.6	18.3	17.7	18.2	18.8	19.5	18.8	19.2	19.9	20.6	
HI PR	218	235	248	259	245	263	278	290	278	300	316	330	317	341	360	376	357	384	405	423	394	424	448	467	
LO PR	103	110	120	128	109	116	127	135	114	121	132	141	119	127	139	148	125	133	145	155	129	138	150	160	
MBh	54.1	55.7	60.3	64.7	52.8	54.4	58.9	63.2	51.6	53.1	57.5	61.7	50.3	51.8	56.1	60.2	47.8	49.2	53.3	57.2	44.3	45.6	49.3	52.9	
S/T	0.88	0.79	0.60	0.38	0.91	0.82	0.62	0.40	0.93	0.84	0.63	0.41	0.96	0.86	0.65	0.42	1.00	0.90	0.68	0.44	1.00	0.90	0.68	0.44	
ΔT	19	18	15	10	20	18	15	10	20	18	15	10	20	18	15	10	20	18	15	10	18	17	14	10	
kW	3.62	3.69	3.80	3.92	3.88	3.96	4.08	4.20	4.11	4.19	4.32	4.45	4.31	4.40	4.53	4.68	4.48	4.57	4.72	4.87	4.63	4.73	4.87	5.03	
Amps	13.6	13.9	14.3	14.8	14.6	15.0	15.5	16.0	15.9	16.3	16.8	17.4	17.0	17.4	17.9	18.6	18.0	18.5	19.1	19.8	19.1	19.6	20.2	21.0	
HI PR	223	239	253	264	250	269	284	296	284	306	323	337	323	348	368	383	364	392	414	431	402	433	457	477	
LO PR	106	112	123	131	111	119	129	138	116	123	135	143	122	129	141	151	128	136	148	158	132	140	153	163	

IDB = Entering Indoor Dry Bulb Temperature
 High and low pressures are measured at the liquid and suction service valves.
 Shaded area reflects ACCA (TVA) conditions
 Amps = outdoor unit amps (comp.+fan)
 kW = Total system power

EXPANDED COOLING DATA — ASX160601F* / CA*F4961*6D*+TXV (CONT.)

IDB	AIRFLOW	OUTDOOR AMBIENT TEMPERATURE												ENTERING INDOOR WET BULB TEMPERATURE											
		65°F				75°F				85°F				95°F				105°F				115°F			
		59	63	67	71	59	63	67	71	59	63	67	71	59	63	67	71	59	63	67	71	59	63	67	71
80	MBh	53.7	54.9	58.6	62.7	52.5	53.6	57.3	61.2	51.2	52.3	55.9	59.8	50.0	51.0	54.5	58.3	47.5	48.5	51.8	55.4	44.0	44.9	48.0	51.3
	S/T	0.93	0.87	0.71	0.5	0.96	0.90	0.73	0.55	0.98	0.92	0.75	0.6	1.00	0.95	0.78	0.58	1.00	0.99	0.80	0.6	1.00	1.00	0.81	0.61
	ΔT	26	25	22	17	26	25	22	18	26	25	22	18	26	26	22	18	25	25	22	17	23	24	20	16
	kW	3.61	3.68	3.78	3.9	3.86	3.94	4.06	4.18	4.09	4.17	4.30	4.4	4.29	4.38	4.51	4.65	4.46	4.55	4.69	4.8	4.60	4.70	4.85	5.00
	Amps	13.5	13.8	14.2	14.8	14.5	14.9	15.4	15.9	15.8	16.2	16.7	17.3	16.9	17.3	17.8	18.5	17.9	18.4	19.0	19.7	19.0	19.5	20.1	20.9
	HI PR	221	238	251	262.0	248	267	282	294	282	304	321	334.3	321	346	365	381	361	389	411	428.4	399	430	454	473
	LO PR	105	112	122	129.7	111	118	129	137	115	122	134	142.4	121	129	140	150	127	135	147	156.7	131	139	152	162
	MBh	53.2	54.3	58.1	62.1	51.9	53.1	56.7	60.6	50.7	51.8	55.4	59.2	49.5	50.5	54.0	57.7	47.0	48.0	51.3	54.8	43.5	44.5	47.5	50.8
	S/T	0.91	0.85	0.69	0.5	0.94	0.88	0.72	0.54	0.96	0.90	0.74	0.6	1.00	0.93	0.76	0.57	1.00	0.97	0.79	0.6	1.00	0.98	0.80	0.59
	ΔT	27	26	23	18	28	26	23	18	28	27	23	18	28	27	23	19	27	26	23	18	25	25	21	17
kW	3.60	3.67	3.77	3.9	3.85	3.93	4.05	4.17	4.08	4.16	4.29	4.4	4.28	4.37	4.50	4.64	4.45	4.54	4.68	4.8	4.59	4.69	4.84	4.99	
Amps	13.4	13.8	14.2	14.7	14.5	14.8	15.3	15.9	15.7	16.1	16.7	17.3	16.8	17.2	17.8	18.5	17.9	18.3	18.9	19.6	18.9	19.4	20.1	20.8	
HI PR	220	237	250	261.2	247	266	281	293	281	303	320	333.3	320	345	364	380	360	388	410	427.1	398	428	452	472	
LO PR	105	111	121	129.3	110	117	128	137	115	122	133	141.9	121	128	140	149	126	134	147	156.3	131	139	152	162	
MBh	55.0	56.2	60.1	64.2	53.8	54.9	58.7	62.7	52.5	53.6	57.3	61.2	51.2	52.3	55.9	59.7	48.6	49.7	53.1	56.8	45.1	46.0	49.2	52.6	
S/T	0.96	0.90	0.74	0.6	1.00	0.94	0.76	0.57	1.00	0.96	0.78	0.6	1.00	1.00	0.81	0.60	1.00	1.00	0.84	0.6	1.00	1.00	0.85	0.63	
ΔT	22	21	18	14	22	21	18	15	21	21	18	15	21	21	18	15	20	20	18	15	18	19	17	14	
kW	3.65	3.72	3.83	3.9	3.91	3.99	4.11	4.23	4.14	4.23	4.35	4.5	4.34	4.43	4.57	4.72	4.52	4.61	4.75	4.9	4.66	4.76	4.91	5.07	
Amps	13.7	14.0	14.4	15.0	14.8	15.1	15.6	16.2	16.0	16.4	17.0	17.6	17.1	17.5	18.1	18.8	18.2	18.7	19.3	20.0	19.3	19.8	20.4	21.2	
HI PR	225	242	255	266.4	252	271	287	299	287	309	326	340.0	327	352	371	387	368	396	418	435.7	406	437	462	481	
LO PR	107	113	124	131.9	113	120	131	139	117	125	136	144.8	123	131	143	152	129	137	150	159.4	133	142	155	165	
85	MBh	54.6	55.7	58.3	62.2	53.4	54.4	57.0	60.8	52.1	53.1	55.6	59.3	50.8	51.8	54.3	57.9	48.3	49.2	51.6	55.0	44.7	45.6	47.8	50.9
	S/T	0.97	0.94	0.85	0.69	1.00	0.97	0.88	0.71	1.00	1.00	0.90	0.73	1.00	1.00	0.93	0.75	1.00	1.00	0.96	0.78	1.00	1.00	0.97	0.79
	ΔT	28	27	26	22	28	28	26	23	27	28	26	23	27	27	26	23	25	26	26	23	23	24	24	21
	kW	3.63	3.70	3.81	3.93	3.89	3.97	4.09	4.21	4.12	4.20	4.33	4.47	4.32	4.41	4.55	4.69	4.49	4.59	4.73	4.88	4.64	4.74	4.89	5.04
	Amps	13.6	13.9	14.4	14.9	14.7	15.0	15.5	16.1	15.9	16.3	16.8	17.5	17.0	17.4	18.0	18.7	18.1	18.5	19.2	19.9	19.2	19.6	20.3	21.1
	HI PR	223	240	254	265	251	270	285	297	285	307	324	338	324	349	369	385	365	393	415	433	403	434	458	478
	LO PR	106	113	123	131	112	119	130	138	116	124	135	144	122	130	142	151	128	136	149	158	132	141	154	164
	MBh	54.1	55.1	57.8	61.6	52.8	53.9	56.4	60.2	51.6	52.6	55.1	58.8	50.3	51.3	53.7	57.3	47.8	48.7	51.0	54.5	44.3	45.1	47.3	50.4
	S/T	0.95	0.92	0.83	0.67	0.99	0.95	0.86	0.70	1.00	0.98	0.88	0.71	1.00	1.00	0.91	0.74	1.00	1.00	0.94	0.77	1.00	1.00	0.95	0.77
	ΔT	29	29	27	23	29	29	27	24	29	29	27	24	28	29	28	24	27	28	27	24	25	26	25	22
kW	3.62	3.70	3.80	3.92	3.88	3.96	4.08	4.20	4.11	4.19	4.32	4.46	4.31	4.40	4.54	4.68	4.48	4.57	4.72	4.87	4.63	4.73	4.87	5.03	
Amps	13.6	13.9	14.3	14.8	14.6	15.0	15.5	16.0	15.9	16.3	16.8	17.4	17.0	17.4	18.0	18.6	18.0	18.5	19.1	19.8	19.1	19.6	20.2	21.0	
HI PR	223	240	253	264	250	269	284	296	284	306	323	337	324	348	368	383	364	392	414	431	402	433	457	477	
LO PR	106	112	123	131	112	119	130	138	116	123	135	143	122	130	141	151	128	136	148	158	132	140	153	163	
MBh	56.0	57.1	59.8	63.8	54.7	55.8	58.4	62.3	53.4	54.4	57.0	60.8	52.1	53.1	55.6	59.3	49.5	50.4	52.8	56.4	45.8	46.7	48.9	52.2	
S/T	1.00	0.98	0.88	0.71	1.00	1.00	0.91	0.74	1.00	1.00	0.94	0.76	1.00	1.00	0.97	0.78	1.00	1.00	1.00	0.81	1.00	1.00	1.00	0.82	
ΔT	23	23	22	19	22	23	22	19	22	22	22	19	21	22	22	19	20	21	22	19	19	19	20	17	
kW	3.68	3.75	3.86	3.98	3.94	4.02	4.14	4.27	4.17	4.26	4.39	4.53	4.38	4.47	4.61	4.75	4.55	4.65	4.79	4.95	4.70	4.80	4.95	5.11	
Amps	13.8	14.1	14.6	15.1	14.9	15.3	15.8	16.3	16.2	16.6	17.1	17.7	17.3	17.7	18.3	19.0	18.4	18.8	19.5	20.2	19.5	19.9	20.6	21.4	
HI PR	227	244	258	269	255	274	289	302	290	312	329	343	330	355	375	391	371	400	422	440	410	441	466	486	
LO PR	108	115	125	133	114	121	132	141	118	126	137	146	124	132	144	154	130	138	151	161	135	143	156	167	

IDB = Entering Indoor Dry Bulb Temperature
 High and low pressures are measured at the liquid and suction service valves.
 Shaded area reflects AHRI Rating conditions
 Amps = outdoor unit amps (comp.+fan)
 kW = Total system power

EXPANDED COOLING DATA — ASX160611F* / CA*F4961*6D* +EEP+TXV

IDB	AIRFLOW	OUTDOOR AMBIENT TEMPERATURE												105°F												115°F											
		65°F				75°F				85°F				95°F				105°F				115°F															
		59	63	67	71	59	63	67	71	59	63	67	71	59	63	67	71	59	63	67	71	59	63	67	71												
70	1550	MBh	54.2	56.2	61.6	-	53.0	54.9	60.1	-	51.7	53.6	58.7	-	50.4	52.3	57.3	-	47.9	49.7	54.4	-	44.4	46.0	50.4	-											
		S/T	0.66	0.55	0.38	-	0.68	0.57	0.39	-	0.70	0.58	0.40	-	0.72	0.60	0.42	-	0.75	0.62	0.43	-	0.75	0.63	0.44	-											
		ΔT	21	18	14	-	21	19	14	-	21	19	14	-	22	19	14	-	21	18	14	-	20	17	13	-											
	1750	kW	3.75	3.83	3.95	-	4.04	4.13	4.27	-	4.31	4.40	4.55	-	4.54	4.64	4.79	-	4.73	4.84	5.00	-	4.90	5.01	5.18	-											
		Amps	13.4	13.8	14.3	-	14.6	15.0	15.5	-	16.0	16.4	17.0	-	17.2	17.6	18.4	-	18.4	18.8	19.5	-	19.5	20.0	20.8	-											
		Hi PR	227	244	248	-	257	276	280	-	292	314	318	-	333	358	363	-	359	386	392	-	426	458	464	-											
	2000	Lo PR	113	116	127	-	116	120	131	-	120	124	135	-	123	127	139	-	126	130	141	-	129	133	145	-											
		MBh	55.9	57.9	63.4	-	54.6	56.5	62.0	-	53.3	55.2	60.5	-	52.0	53.9	59.0	-	49.4	51.2	56.1	-	45.7	47.4	51.9	-											
		S/T	0.69	0.58	0.40	-	0.71	0.60	0.41	-	0.73	0.61	0.42	-	0.76	0.63	0.44	-	0.78	0.66	0.45	-	0.79	0.66	0.46	-											
	75	1550	ΔT	20	18	13	-	20	18	13	-	20	18	13	-	21	18	14	-	20	18	13	-	19	16	12	-										
			kW	3.81	3.89	4.02	-	4.08	4.17	4.31	-	4.34	4.44	4.59	-	4.57	4.68	4.83	-	4.77	4.88	5.05	-	4.94	5.06	5.23	-										
			Amps	13.6	13.9	14.4	-	14.8	15.1	15.7	-	16.1	16.6	17.2	-	17.3	17.8	18.4	-	18.5	19.0	19.7	-	19.7	20.2	21.0	-										
1750		Hi PR	229	247	250	-	259	279	283	-	295	317	322	-	336	361	366	-	363	390	396	-	430	462	469	-											
		Lo PR	114	117	128	-	117	121	132	-	121	125	136	-	124	128	140	-	127	131	143	-	130	134	146	-											
		MBh	56.1	58.2	63.7	-	54.8	56.8	62.3	-	53.5	55.5	60.8	-	52.2	54.1	59.3	-	49.6	51.4	56.3	-	45.9	47.6	52.2	-											
2000		S/T	0.70	0.58	0.40	-	0.72	0.60	0.42	-	0.74	0.62	0.43	-	0.77	0.64	0.44	-	0.80	0.66	0.46	-	0.80	0.67	0.46	-											
		ΔT	18	16	12	-	18	16	12	-	18	16	12	-	18	16	12	-	18	16	12	-	17	15	11	-											
		kW	3.81	3.89	4.02	-	4.11	4.20	4.34	-	4.38	4.48	4.63	-	4.61	4.72	4.88	-	4.81	4.92	5.09	-	4.98	5.10	5.27	-											
75		1550	Amps	13.7	14.1	14.6	-	14.9	15.3	15.8	-	16.3	16.7	17.3	-	17.5	18.0	18.6	-	18.7	19.2	19.9	-	19.9	20.4	21.2	-										
			Hi PR	232	249	253	-	262	282	286	-	298	320	325	-	339	365	370	-	366	394	400	-	434	467	474	-										
			Lo PR	115	119	129	-	118	122	133	-	122	126	138	-	126	130	141	-	128	132	144	-	131	135	148	-										
1750	MBh	55.1	56.8	61.5	66.0	53.9	55.5	60.0	64.4	52.6	54.1	58.6	62.9	51.3	52.8	57.2	61.4	48.7	50.2	54.3	58.3	45.1	46.5	50.3	54.0												
	S/T	0.75	0.67	0.51	0.33	0.77	0.69	0.52	0.34	0.79	0.71	0.54	0.35	0.82	0.73	0.55	0.36	0.85	0.76	0.58	0.37	0.86	0.77	0.58	0.37												
	ΔT	24	23	18	13	25	23	19	13	25	23	19	13	25	23	19	13	25	23	19	13	23	21	17	12												
2000	kW	3.75	3.83	3.95	4.08	4.04	4.13	4.27	4.41	4.31	4.40	4.55	4.70	4.54	4.64	4.79	4.96	4.73	4.84	5.00	5.18	4.90	5.01	5.18	5.36												
	Amps	13.4	13.8	14.3	14.8	14.6	15.0	15.5	16.2	16.0	16.4	17.0	17.7	17.2	17.6	18.3	19.0	18.4	18.8	19.5	20.3	19.5	20.0	20.8	21.6												
	Hi PR	227	244	248	253	257	276	280	286	292	314	318	326	333	358	363	371	359	386	392	400	426	458	464	475												
75	1750	Lo PR	113	116	127	135	116	120	131	139	120	124	135	144	123	127	139	148	126	130	141	151	129	133	145	154											
		MBh	56.8	58.5	63.3	67.9	55.5	57.1	61.8	66.4	54.2	55.8	60.4	64.8	52.8	54.4	58.9	63.2	50.2	51.7	55.9	60.0	46.5	47.9	51.8	55.6											
		S/T	0.78	0.70	0.53	0.34	0.81	0.73	0.55	0.35	0.83	0.74	0.56	0.36	0.86	0.77	0.58	0.37	0.89	0.80	0.60	0.39	0.90	0.80	0.61	0.39											
75	2000	ΔT	23	22	18	12	24	22	18	12	24	22	18	12	24	22	18	12	24	22	18	12	22	20	17	11											
		kW	3.78	3.86	3.99	4.12	4.08	4.17	4.31	4.45	4.34	4.44	4.59	4.74	4.57	4.68	4.83	5.00	4.77	4.88	5.05	5.22	4.94	5.06	5.23	5.41											
		Amps	13.6	13.9	14.4	15.0	14.8	15.1	15.7	16.3	16.1	16.6	17.2	17.9	17.3	17.8	18.4	19.2	18.5	19.0	19.7	20.5	19.7	20.2	21.0	21.8											
75	2000	Hi PR	229	247	250	256	259	279	283	289	295	317	322	329	336	366	374	363	390	396	404	430	462	469	479												
		Lo PR	114	117	128	137	117	121	132	141	121	125	136	145	124	128	140	149	127	131	143	152	130	134	146	156											
		MBh	57.1	58.8	63.6	68.3	55.8	57.4	62.1	66.7	54.4	56.0	60.7	65.1	53.1	54.7	59.2	63.5	50.4	51.9	56.2	60.3	46.7	48.1	52.1	55.9											
75	2000	S/T	0.79	0.71	0.54	0.35	0.82	0.74	0.56	0.36	0.84	0.75	0.57	0.37	0.87	0.78	0.59	0.38	0.90	0.81	0.61	0.39	0.91	0.82	0.62	0.40											
		ΔT	21	19	16	11	21	19	16	11	21	19	16	11	21	20	16	11	21	19	16	11	20	18	15	10											
		kW	3.81	3.89	4.02	4.15	4.11	4.20	4.34	4.49	4.38	4.48	4.63	4.78	4.61	4.72	4.88	5.04	4.81	4.92	5.09	5.26	4.98	5.10	5.27	5.46											
75	2000	Amps	13.7	14.1	14.6	15.1	14.9	15.3	15.8	16.5	16.3	16.7	17.3	18.0	17.5	18.0	18.6	19.4	18.7	19.2	19.9	20.7	19.9	20.4	21.2	22.0											
		Hi PR	232	249	253	258	262	282	286	292	298	320	325	332	339	365	370	378	366	394	400	408	434	467	474	484											
		Lo PR	115	119	129	138	118	122	133	142	122	126	138	147	126	130	141	151	128	132	144	154	131	135	148	157											

IDB: Entering Indoor Dry Bulb Temperature
 High and low pressures are measured at the liquid and suction service valves.
 Shaded area reflects ACCA (TVA) conditions
 Amps = outdoor unit amps (comp. + fan)
 kW = Total system power

EXPANDED COOLING DATA — ASX160611F* / CA* F4961* 6D* +EEP+TXV (CONT.)

IDB	AIRFLOW	OUTDOOR AMBIENT TEMPERATURE												ENTERING INDOOR WET BULB TEMPERATURE												
		65°F				75°F				85°F				95°F				105°F				115°F				
		59	63	67	71	59	63	67	71	59	63	67	71	59	63	67	71	59	63	67	71	59	63	67	71	
80	1550	MBh	56.1	57.4	61.3	65.5	54.8	56.0	59.9	64.0	53.5	54.7	58.4	62.5	52.2	53.4	57.0	60.9	49.6	50.7	54.2	57.9	45.9	46.9	50.2	53.6
		S/T	0.82	0.77	0.63	0.47	0.85	0.80	0.65	0.48	0.87	0.82	0.66	0.50	0.90	0.84	0.69	0.51	0.93	0.87	0.71	0.53	0.94	0.88	0.72	0.54
		ΔT	27	26	23	18	28	26	23	18	28	26	23	18	28	27	23	19	27	26	23	18	26	25	21	17
		kW	3.75	3.83	3.95	4.08	4.04	4.13	4.27	4.41	4.31	4.40	4.55	4.70	4.54	4.64	4.79	4.96	4.73	4.84	5.00	5.18	4.90	5.01	5.18	5.36
		Amps	13.4	13.8	14.3	14.8	14.6	15.0	15.5	16.2	16.0	16.4	17.0	17.7	17.2	17.6	18.3	19.0	18.4	18.4	19.5	20.3	19.5	20.0	20.8	21.6
	1750	Hi PR	227	244	248	253	257	276	280	286	292	314	318	326	333	358	363	371	359	386	392	400	426	458	464	475
		Lo PR	113	116	127	135	116	120	131	139	120	124	135	144	123	127	139	148	126	130	141	151	129	133	145	154
		MBh	57.8	59.1	63.1	67.5	56.5	57.7	61.6	65.9	55.1	56.3	60.2	64.3	53.8	55.0	58.7	62.8	51.1	52.2	55.8	59.6	47.3	48.4	51.7	55.2
		S/T	0.86	0.81	0.66	0.49	0.89	0.84	0.68	0.51	0.91	0.86	0.70	0.52	0.94	0.88	0.72	0.54	1.00	0.92	0.75	0.56	1.00	0.93	0.75	0.56
		ΔT	26	25	22	17	26	25	22	18	26	25	22	18	27	26	22	18	27	25	22	17	25	24	20	16
2000	kW	3.81	3.89	4.02	4.15	4.11	4.20	4.34	4.49	4.38	4.48	4.63	4.78	4.61	4.72	4.88	5.04	4.81	4.92	5.09	5.26	4.98	5.06	5.23	5.41	
	Amps	13.7	14.1	14.6	15.1	14.9	15.3	15.8	16.5	16.3	16.7	17.3	18.0	17.5	18.0	18.6	19.4	18.7	19.2	19.9	20.7	19.9	20.4	21.2	22.0	
	Hi PR	232	249	253	258	262	282	286	292	298	320	325	332	339	365	370	378	366	394	400	408	434	467	474	484	
	Lo PR	115	119	129	138	118	122	133	142	122	126	138	147	126	130	141	151	128	132	144	154	131	135	148	157	
	MBh	58.1	59.4	63.4	67.8	56.7	58.0	61.9	66.2	55.4	56.6	60.5	64.6	54.0	55.2	59.0	63.1	51.3	52.5	56.0	59.9	47.6	48.6	51.9	55.5	
85	1550	S/T	0.87	0.82	0.66	0.50	0.90	0.85	0.69	0.51	0.93	0.87	0.71	0.53	0.96	0.90	0.73	0.55	1.00	0.93	0.76	0.57	1.00	0.94	0.76	0.57
		ΔT	23	22	19	15	24	23	20	16	24	23	20	16	24	23	20	16	24	22	19	16	22	21	18	15
		kW	3.81	3.89	4.02	4.15	4.11	4.20	4.34	4.49	4.38	4.48	4.63	4.78	4.61	4.72	4.88	5.04	4.81	4.92	5.09	5.26	4.98	5.10	5.27	5.46
		Amps	13.4	13.8	14.3	14.8	14.6	15.0	15.5	16.2	16.0	16.4	17.0	17.7	17.2	17.6	18.3	19.0	18.4	18.8	19.5	20.3	19.5	20.0	20.8	21.6
		Hi PR	227	244	248	253	257	276	280	286	292	314	318	326	333	358	363	371	359	386	392	400	426	458	464	475
	1750	Lo PR	113	116	127	135	116	120	131	139	120	124	135	144	123	127	139	148	126	130	141	151	129	133	145	154
		MBh	58.8	60.0	62.8	67.0	57.5	58.6	61.3	65.4	56.1	57.2	59.9	63.9	54.7	55.8	58.4	62.3	52.0	53.0	55.5	59.2	48.2	49.1	51.4	54.8
		S/T	0.90	0.87	0.78	0.64	0.93	0.90	0.81	0.66	0.96	0.92	0.83	0.68	0.99	0.95	0.86	0.70	1.00	0.99	0.89	0.72	1.00	1.00	0.90	0.73
		ΔT	28	27	26	22	28	28	26	23	28	28	26	23	28	28	26	23	27	28	26	23	25	26	24	21
		kW	3.78	3.86	3.99	4.12	4.08	4.17	4.31	4.45	4.34	4.44	4.59	4.74	4.57	4.68	4.83	5.00	4.77	4.88	5.05	5.22	4.94	5.06	5.23	5.41
2000	Amps	13.6	13.9	14.4	15.0	14.8	15.1	15.7	16.3	16.1	16.6	17.2	17.9	17.3	17.8	18.4	19.2	18.5	19.0	19.7	20.5	19.7	20.2	21.0	21.8	
	Hi PR	229	247	250	256	259	279	283	289	295	317	322	329	336	361	366	374	363	390	396	404	430	462	469	479	
	Lo PR	114	117	128	137	117	121	132	141	121	125	136	145	124	128	140	149	127	131	143	152	130	134	146	156	
	MBh	59.1	60.3	63.1	67.3	57.7	58.8	61.6	65.8	56.4	57.4	60.2	64.2	55.0	56.0	58.7	62.6	52.2	53.2	55.8	59.5	48.4	49.3	51.7	55.1	
	S/T	0.91	0.88	0.80	0.65	0.95	0.91	0.82	0.67	0.97	0.94	0.84	0.69	1.00	0.97	0.87	0.71	1.00	1.00	0.91	0.73	1.00	1.00	0.91	0.74	
2000	ΔT	25	24	23	20	25	25	23	20	25	25	23	20	25	25	24	20	24	24	23	20	22	23	22	19	
	kW	3.81	3.89	4.02	4.15	4.11	4.20	4.34	4.49	4.38	4.48	4.63	4.78	4.61	4.72	4.88	5.04	4.81	4.92	5.09	5.26	4.98	5.10	5.27	5.46	
	Amps	13.7	14.1	14.6	15.1	14.9	15.3	15.8	16.5	16.3	16.7	17.3	18.0	17.5	18.0	18.6	19.4	18.7	19.2	19.9	20.7	19.9	20.4	21.2	22.0	
	Hi PR	232	249	253	258	262	282	286	292	298	320	325	332	339	365	370	378	366	394	400	408	434	467	474	484	
	Lo PR	115	119	129	138	118	122	133	142	122	126	138	147	126	130	141	151	128	132	144	154	131	135	148	157	

IDB: Entering Indoor Dry Bulb Temperature
 High and low pressures are measured at the liquid and suction service valves.
 Shaded area reflects AHRI conditions
 Amps = outdoor unit amps (comp.+fan)
 kW = Total system power

AHRI RATINGS

OUTDOOR UNIT	INDOOR UNITS		COOLING RATINGS				CFM	AHRI #
	COILS/AIR HANDLERS	FURNACES	TOTAL ¹	SENS. ¹	SEER ²	EER ³		
ASX16 0181F*	ACNF18XX16D*		17,200	12,700	14.00	12.00	600	6107297
	ACNF24XX16D*		17,600	13,000	14.00	12.00	650	6107298
	ARPT24B14A*		17,600	13,000	14.00	12.00	600	5987869
	ASPT24B14A*		17,600	13,000	16.00	13.00	600	5756179
	ASPT30C14A*		18,000	13,300	16.00	13.00	580	5987870
	ASUF29B14A*		17,000	12,600	15.00	12.50	600	5987871
	ASUF29B14A*+TXV		17,000	12,600	16.00	13.00	600	5987872
	AVPTC24B14A*		17,600	13,000	16.00	13.00	530	5924382
	AWUF31XX16A*		17,600	13,000	15.00	12.50	600	5753219
	AWUF31XX16A*+TXV		17,600	13,000	15.00	12.50	600	5753091
	AWUF32XX16A*		17,600	13,000	15.00	12.50	640	5753220
	AWUF32XX16A*+TXV		17,600	13,000	15.00	12.50	640	5753092
	CA*F3131*6D*	G*E80603B*B*	17,600	13,000	14.50	12.00	620	5987795
	CA*F3131*6D*	G*VC950453BXB*	17,600	13,000	14.50	12.00	600	5987805
	CA*F3131*6D*	G*VC950704CXB*	17,600	13,000	14.50	12.00	630	5987817
	CA*F3131*6D*	G*VC950714CXB*	17,600	13,000	15.50	12.50	650	5987829
	CA*F3131*6D*	G*VM960603BXB*	17,600	13,000	14.50	12.00	650	5987835
	CA*F3131*6D*	GME950403BXA*	17,600	13,000	14.50	12.00	600	5987851
	CA*F3131*6D*	GME950603BXA*	17,600	13,000	14.50	12.00	600	5987859
	CA*F3131*6D*	A*VC950453BXB*	17,600	13,000	14.50	12.00	600	5988758
	CA*F3131*6D*	A*VC950704CXB*	17,600	13,000	14.50	12.00	630	5988768
	CA*F3131*6D*	A*VC950714CXB*	17,600	13,000	15.50	12.50	650	5988780
	CA*F3131*6D*	A*VM960603BXB*	17,600	13,000	14.50	12.00	650	5988786
	CA*F3131*6D*	A*EH800603B*A*	17,600	13,000	14.50	12.00	620	6945871
	CA*F3131*6D*	AMEH960403BXA*	17,600	13,000	14.50	12.00	600	6945872
	CA*F3131*6D*	AMEH960603BXA*	17,600	13,000	14.50	12.00	600	6945873
	CA*F3131*6D*+EEP+TXV		17,600	13,000	14.00	12.00	650	5987774
	CA*F3131*6D*+MBVC1200**-1A*		17,600	13,000	14.50	12.00	615	5987775
	CA*F3131*6D*+MBVC1200**-1A*+TXV		17,600	13,000	15.00	12.50	615	5987776
	CA*F3131*6D*+TXV	G*E80603B*B*	17,600	13,000	15.00	12.50	620	5987796
	CA*F3131*6D*+TXV	G*VC80604B*B*	17,600	13,000	15.00	12.50	620	5987802
	CA*F3131*6D*+TXV	G*VC950453BXB*	17,600	13,000	15.00	12.50	600	5987806
	CA*F3131*6D*+TXV	G*VC950704CXB*	17,600	13,000	15.00	12.50	630	5987818
	CA*F3131*6D*+TXV	G*VC950714CXB*	17,600	13,000	15.00	12.50	650	5987830
	CA*F3131*6D*+TXV	G*VM960603BXB*	17,600	13,000	15.00	12.50	650	5987836
	CA*F3131*6D*+TXV	G*VM960604CXB*	17,600	13,000	15.00	12.50	650	5987845
	CA*F3131*6D*+TXV	GME950403BXA*	17,600	13,000	15.00	12.50	600	5987852
	CA*F3131*6D*+TXV	GME950603BXA*	17,600	13,000	15.00	12.50	600	5987860
	CA*F3131*6D*+TXV	A*VC80604B*B*	17,600	13,000	15.00	12.50	620	5988755
	CA*F3131*6D*+TXV	A*VC950453BXB*	17,600	13,000	15.00	12.50	600	5988759
	CA*F3131*6D*+TXV	A*VC950704CXB*	17,600	13,000	15.00	12.50	630	5988769
	CA*F3131*6D*+TXV	A*VC950714CXB*	17,600	13,000	15.00	12.50	650	5988781
	CA*F3131*6D*+TXV	A*VM960603BXB*	17,600	13,000	15.00	12.50	650	5988787
	CA*F3131*6D*+TXV	A*VM960604CXB*	17,600	13,000	15.00	12.50	650	5988796
	CA*F3131*6D*+TXV	A*EH800603B*A*	17,600	13,000	15.00	12.50	620	6945874
	CA*F3131*6D*+TXV	AMEH960403BXA*	17,600	13,000	15.00	12.50	600	6945875
	CA*F3131*6D*+TXV	AMEH960603BXA*	17,600	13,000	15.00	12.50	600	6945876
CA*F3636*6D*	G*E80603B*B*	18,000	13,300	15.50	12.50	620	5987797	
CA*F3636*6D*	G*VC950453BXB*	18,000	13,300	15.00	12.50	600	5987807	
CA*F3636*6D*	G*VC950704CXB*	18,000	13,300	15.00	12.50	630	5987819	
CA*F3636*6D*	G*VC950714CXB*	18,000	13,300	15.50	12.50	650	5987831	
CA*F3636*6D*	G*VM960603BXB*	18,000	13,300	15.20	12.50	650	5987837	
CA*F3636*6D*	ADVC80603B*B*	18,000	13,300	15.50	12.50	620	5987849	
CA*F3636*6D*	GME950403BXA*	18,000	13,300	15.50	12.50	600	5987853	
CA*F3636*6D*	GME950603BXA*	18,000	13,300	14.50	12.00	600	5987861	

See Notes on Page 60.

AHRI RATINGS (CONT.)

OUTDOOR UNIT	INDOOR UNITS		COOLING RATINGS				CFM	AHRI #
	COILS/AIR HANDLERS	FURNACES	TOTAL ¹	SENS. ¹	SEER ²	EER ³		
ASX16 0181F* (cont.)	CA*F3636*6D*	A*VC950453BXB*	18,000	13,300	15.00	12.50	600	5988760
	CA*F3636*6D*	A*VC950704CXB*	18,000	13,300	15.00	12.50	630	5988770
	CA*F3636*6D*	A*VC950714CXB*	18,000	13,300	15.50	12.50	650	5988782
	CA*F3636*6D*	A*VM960603BXB*	18,000	13,300	15.20	12.50	650	5988788
	CA*F3636*6D*	A*EH800603B*A*	18,000	13,300	15.50	12.50	620	6945877
	CA*F3636*6D*	AMEH960403BXA*	18,000	13,300	15.50	12.50	600	6945878
	CA*F3636*6D*	AMEH960603BXA*	18,000	13,300	14.50	12.00	600	6945879
	CA*F3636*6D*+EEP		18,000	13,300	14.00	12.00	650	5987777
	CA*F3636*6D*+EEP+TXV		18,000	13,300	14.50	12.00	650	5753083
	CA*F3636*6D*+MBVC1200**-1A*		18,000	13,300	15.50	12.50	615	5987778
	CA*F3636*6D*+MBVC1200**-1A*+TXV		18,000	13,300	16.00	13.00	615	5987779
	CA*F3636*6D*+TXV	A*VC80604B*B*	18,000	13,300	16.00	13.00	600	5753087
	CA*F3636*6D*+TXV	A*VC950453BXB*	18,000	13,300	15.50	12.50	600	5753089
	CA*F3636*6D*+TXV	G*VC950453BXB*	18,000	13,300	15.50	12.50	600	5987808
	CA*F3636*6D*+TXV	G*VC950704CXB*	18,000	13,300	15.50	12.50	630	5987820
	CA*F3636*6D*+TXV	G*VC950714CXB*	18,000	13,300	16.00	13.00	650	5987832
	CA*F3636*6D*+TXV	G*VM960603BXB*	18,000	13,300	15.50	12.50	650	5987838
	CA*F3636*6D*+TXV	ADVC80603B*B*	18,000	13,300	16.00	13.00	620	5987850
	CA*F3636*6D*+TXV	GME950603BXA*	18,000	13,300	16.00	13.00	600	5987862
	CA*F3636*6D*+TXV	A*VC950704CXB*	18,000	13,300	15.50	12.50	630	5988771
	CA*F3636*6D*+TXV	A*VC950714CXB*	18,000	13,300	16.00	13.00	650	5988783
	CA*F3636*6D*+TXV	A*VM960603BXB*	18,000	13,300	15.50	12.50	650	5988789
	CA*F3636*6D*+TXV	GME950403BXA*	18,000	13,300	16.00	13.00	575	6090087
	CA*F3636*6D*+TXV	G*E80603B*B*	18,000	13,300	16.00	13.00	600	6107823
	CA*F3636*6D*+TXV	G*VC80604B*B*	18,000	13,300	16.00	13.00	600	6107834
	CA*F3636*6D*+TXV	A*EH800603B*A*	18,000	13,300	16.00	13.00	600	6945880
	CA*F3636*6D*+TXV	AMEH960403BXA*	18,000	13,300	16.00	13.00	575	6945881
	CA*F3636*6D*+TXV	AMEH960603BXA*	18,000	13,300	16.00	13.00	600	6945882
	CA*F3743*6D*+EEP+TXV		18,400	13,600	15.00	12.50	600	5753084
	CA*F3743*6D*+TXV	G*VC950453BXB*	18,000	13,300	16.00	13.00	600	5987809
	CA*F3743*6D*+TXV	G*VC950704CXB*	18,000	13,300	16.00	13.00	630	5987821
	CA*F3743*6D*+TXV	G*VC950714CXB*	18,000	13,300	16.00	13.00	650	5987833
	CA*F3743*6D*+TXV	G*VM960603BXB*	18,000	13,300	16.00	13.00	650	5987839
	CA*F3743*6D*+TXV	G*VM960604CXB*	18,000	13,300	16.00	13.00	650	5987846
	CA*F3743*6D*+TXV	GME950403BXA*	18,000	13,300	16.00	13.00	600	5987854
	CA*F3743*6D*+TXV	GME950603BXA*	18,000	13,300	16.00	13.00	600	5987863
	CA*F3743*6D*+TXV	A*VC950453BXB*	18,000	13,300	16.00	13.00	600	5988761
	CA*F3743*6D*+TXV	A*VC950704CXB*	18,000	13,300	16.00	13.00	630	5988772
	CA*F3743*6D*+TXV	A*VC950714CXB*	18,000	13,300	16.00	13.00	650	5988784
	CA*F3743*6D*+TXV	A*VM960603BXB*	18,000	13,300	16.00	13.00	650	5988790
	CA*F3743*6D*+TXV	A*VM960604CXB*	18,000	13,300	16.00	13.00	650	5988797
	CA*F3743*6D*+TXV	AMEH960403BXA*	18,000	13,300	16.00	13.00	600	6945883
	CA*F3743*6D*+TXV	AMEH960603BXA*	18,000	13,300	16.00	13.00	600	6945884
	CAPT3131*4A*	G*E80603B*B*	17,600	13,000	15.00	12.50	620	5987798
	CAPT3131*4A*	G*VC80604B*B*	17,600	13,000	15.00	12.50	620	5987803
	CAPT3131*4A*	G*VC950453BXB*	17,600	13,000	15.00	12.50	600	5987810
	CAPT3131*4A*	G*VC950704CXB*	17,600	13,000	15.00	12.50	630	5987822
	CAPT3131*4A*	G*VC950714CXB*	17,600	13,000	15.00	12.50	650	5987834
	CAPT3131*4A*	G*VM960603BXB*	17,600	13,000	15.00	12.50	650	5987840
	CAPT3131*4A*	G*VM960604CXB*	17,600	13,000	15.00	12.50	650	5987847
CAPT3131*4A*	GME950403BXA*	17,600	13,000	15.00	12.50	600	5987855	
CAPT3131*4A*	GME950603BXA*	17,600	13,000	15.00	12.50	600	5987864	
CAPT3131*4A*	A*VC80604B*B*	17,600	13,000	15.00	12.50	620	5988756	
CAPT3131*4A*	A*VC950453BXB*	17,600	13,000	15.00	12.50	600	5988762	
CAPT3131*4A*	A*VC950704CXB*	17,600	13,000	15.00	12.50	630	5988773	
CAPT3131*4A*	A*VC950714CXB*	17,600	13,000	15.00	12.50	650	5988785	

See Notes on Page 60.

AHRI RATINGS (CONT.)

OUTDOOR UNIT	INDOOR UNITS		COOLING RATINGS				CFM	AHRI #
	COILS/AIR HANDLERS	FURNACES	TOTAL ¹	SENS. ¹	SEER ²	EER ³		
ASX16 0181F* (cont.)	CAPT3131*4A*	A*VM960603BxB*	17,600	13,000	15.00	12.50	650	5988791
	CAPT3131*4A*	A*VM960604CXB*	17,600	13,000	15.00	12.50	650	5988798
	CAPT3131*4A*	ADVC80603B*B*	17,600	13,000	15.20	12.50	625	6345892
	CAPT3131*4A*	A*EH800603B*A*	17,600	13,000	15.00	12.50	620	6945885
	CAPT3131*4A*	AMEH960403BXA*	17,600	13,000	15.00	12.50	600	6945886
	CAPT3131*4A*	AMEH960603BXA*	17,600	13,000	15.00	12.50	600	6945887
	CAPT3131*4A*+EEP		17,600	13,000	14.00	12.00	650	5987780
	CAPT3131*4A*+MBVC1200**-1A*		17,600	13,000	15.00	12.50	615	5987781
	CAPT3743*4A*+EEP		18,000	13,300	15.00	12.50	650	5987782
	CHPF2430B6C*	G*E80603B*B*	17,600	13,000	14.50	12.00	620	5987799
	CHPF2430B6C*	G*VC950453BxB*	17,600	13,000	14.50	12.00	600	5987811
	CHPF2430B6C*	G*VC950704CXB*	17,400	12,900	14.50	12.00	630	5987823
	CHPF2430B6C*	G*VM960603BxB*	17,400	12,900	14.50	12.00	650	5987841
	CHPF2430B6C*	GME950403BXA*	17,600	13,000	14.50	12.00	600	5987856
	CHPF2430B6C*	GME950603BXA*	17,600	13,000	14.50	12.00	600	5987865
	CHPF2430B6C*	A*VC950453BxB*	17,600	13,000	14.50	12.00	600	5988763
	CHPF2430B6C*	A*VC950704CXB*	17,400	12,900	14.50	12.00	630	5988774
	CHPF2430B6C*	A*VM960603BxB*	17,400	12,900	14.50	12.00	650	5988792
	CHPF2430B6C*	A*EH800603B*A*	17,600	13,000	14.50	12.00	620	6945888
	CHPF2430B6C*	AMEH960403BXA*	17,600	13,000	14.50	12.00	600	6945889
	CHPF2430B6C*	AMEH960603BXA*	17,600	13,000	14.50	12.00	600	6945890
	CHPF2430B6C*+EEP		17,600	13,000	13.50	11.50	650	5987783
	CHPF2430B6C*+EEP+TXV		17,600	13,000	14.00	12.00	650	5987784
	CHPF2430B6C*+MBVC1200**-1A*		17,600	13,000	14.50	12.00	615	5987785
	CHPF2430B6C*+MBVC1200**-1A*+TXV		17,600	13,000	15.00	12.50	615	5987786
	CHPF2430B6C*+TXV	G*E80603B*B*	17,600	13,000	15.00	12.50	620	5987800
	CHPF2430B6C*+TXV	G*VC80604B*B*	17,600	13,000	15.00	12.50	620	5987804
	CHPF2430B6C*+TXV	G*VC950453BxB*	17,600	13,000	15.00	12.50	600	5987812
	CHPF2430B6C*+TXV	G*VC950704CXB*	17,600	13,000	15.00	12.50	630	5987824
	CHPF2430B6C*+TXV	G*VM960603BxB*	17,600	13,000	15.00	12.50	650	5987842
	CHPF2430B6C*+TXV	G*VM960604CXB*	17,600	13,000	15.00	12.50	650	5987848
	CHPF2430B6C*+TXV	GME950403BXA*	17,600	13,000	15.00	12.50	600	5987857
	CHPF2430B6C*+TXV	GME950603BXA*	17,600	13,000	15.00	12.50	600	5987866
	CHPF2430B6C*+TXV	A*VC80604B*B*	17,600	13,000	15.00	12.50	620	5988757
	CHPF2430B6C*+TXV	A*VC950453BxB*	17,600	13,000	15.00	12.50	600	5988764
	CHPF2430B6C*+TXV	A*VC950704CXB*	17,600	13,000	15.00	12.50	630	5988775
	CHPF2430B6C*+TXV	A*VM960603BxB*	17,600	13,000	15.00	12.50	650	5988793
	CHPF2430B6C*+TXV	A*VM960604CXB*	17,600	13,000	15.00	12.50	650	5988799
	CHPF2430B6C*+TXV	A*EH800603B*A*	17,600	13,000	15.00	12.50	620	6945891
	CHPF2430B6C*+TXV	AMEH960403BXA*	17,600	13,000	15.00	12.50	600	6945892
	CHPF2430B6C*+TXV	AMEH960603BXA*	17,600	13,000	15.00	12.50	600	6945893
	CHPF3636B6C*	G*E80603B*B*	18,000	13,300	15.00	12.50	620	5987801
	CHPF3636B6C*	G*VC950453BxB*	18,000	13,300	14.50	12.00	600	5987813
	CHPF3636B6C*	G*VC950704CXB*	18,000	13,300	15.20	12.50	630	5987825
	CHPF3636B6C*	G*VM960603BxB*	18,000	13,300	15.20	12.50	650	5987843
	CHPF3636B6C*	GME950403BXA*	18,000	13,300	15.50	12.50	600	5987858
	CHPF3636B6C*	GME950603BXA*	18,000	13,300	15.50	12.50	600	5987867
	CHPF3636B6C*	A*VC950453BxB*	18,000	13,300	14.50	12.00	600	5988765
	CHPF3636B6C*	A*VC950704CXB*	18,000	13,300	15.20	12.50	630	5988776
	CHPF3636B6C*	A*VM960603BxB*	18,000	13,300	15.20	12.50	650	5988794
CHPF3636B6C*	A*EH800603B*A*	18,000	13,300	15.00	12.50	620	6945894	
CHPF3636B6C*	AMEH960403BXA*	18,000	13,300	15.50	12.50	600	6945895	
CHPF3636B6C*	AMEH960603BXA*	18,000	13,300	15.50	12.50	600	6945896	
CHPF3636B6C*+EEP		18,000	13,300	14.00	12.00	650	5987787	
CHPF3636B6C*+EEP+TXV		18,000	13,300	14.50	12.00	600	5753085	
CHPF3636B6C*+MBVC1200**-1A*		18,000	13,300	14.50	12.00	615	5987788	

See Notes on Page 60.

AHRI RATINGS (CONT.)

OUTDOOR UNIT	INDOOR UNITS		COOLING RATINGS				CFM	AHRI #
	COILS/AIR HANDLERS	FURNACES	TOTAL ¹	SENS. ¹	SEER ²	EER ³		
ASX16 0181F* (cont.)	CHPF3636B6C*+MBVC1200**-1A*+TXV		18,000	13,300	15.00	12.50	615	5987789
	CHPF3636B6C*+TXV	A*VC80604B*B*	18,000	13,300	16.00	13.00	600	5753088
	CHPF3636B6C*+TXV	A*VC950453BxB*	18,000	13,300	15.00	12.50	600	5753090
	CHPF3636B6C*+TXV	G*VC950453BxB*	18,000	13,300	15.00	12.50	600	5987814
	CHPF3636B6C*+TXV	G*VC950704CXB*	18,000	13,300	15.50	12.50	630	5987826
	CHPF3636B6C*+TXV	G*VM960603BxB*	18,000	13,300	15.50	12.50	650	5987844
	CHPF3636B6C*+TXV	GME950603BXA*	18,000	13,300	16.00	13.00	600	5987868
	CHPF3636B6C*+TXV	A*VC950704CXB*	18,000	13,300	15.50	12.50	630	5988777
	CHPF3636B6C*+TXV	A*VM960603BxB*	18,000	13,300	15.50	12.50	650	5988795
	CHPF3636B6C*+TXV	GME950403BXA*	18,000	13,300	16.00	13.00	575	6090092
	CHPF3636B6C*+TXV	G*E80603B*B*	18,000	13,300	16.00	13.00	600	6107824
	CHPF3636B6C*+TXV	G*VC80604B*B*	18,000	13,300	16.00	13.00	600	6107835
	CHPF3636B6C*+TXV	A*EH800603B*A*	18,000	13,300	16.00	13.00	600	6945897
	CHPF3636B6C*+TXV	AMEH960403BXA*	18,000	13,300	16.00	13.00	575	6945898
	CHPF3636B6C*+TXV	AMEH960603BXA*	18,000	13,300	16.00	13.00	600	6945899
	CHPF3743C6B*+EEP		18,000	13,300	14.00	12.00	650	5987790
	CHPF3743C6B*+EEP+TXV		18,200	13,500	15.00	12.50	600	5753086
	CSCF3036N6D*	G*VC950453BxB*	18,000	13,300	14.50	12.00	600	5987815
	CSCF3036N6D*	G*VC950704CXB*	17,400	12,900	14.50	12.00	630	5987827
	CSCF3036N6D*	A*VC950453BxB*	18,000	13,300	14.50	12.00	600	5988766
	CSCF3036N6D*	A*VC950704CXB*	17,400	12,900	14.50	12.00	630	5988778
	CSCF3036N6D*+EEP		17,800	13,200	13.50	11.50	650	5987791
	CSCF3036N6D*+EEP+TXV		18,000	13,300	14.00	12.00	650	5987792
	CSCF3036N6D*+TXV	G*VC950453BxB*	18,000	13,300	15.00	12.50	600	5987816
	CSCF3036N6D*+TXV	G*VC950704CXB*	18,000	13,300	15.00	12.50	630	5987828
	CSCF3036N6D*+TXV	A*VC950453BxB*	18,000	13,300	15.00	12.50	600	5988767
	CSCF3036N6D*+TXV	A*VC950704CXB*	18,000	13,300	15.00	12.50	630	5988779
	CSCF3642N6D*+EEP		18,000	13,300	13.50	11.50	650	5987793
	CSCF3642N6D*+EEP+TXV		18,000	13,300	14.50	12.00	650	5987794
	ASX16 0241F*	ACNF24XX16D*		23,000	17,200	14.00	12.00	750
ACNF30XX16D*			23,200	17,400	14.00	12.00	800	6107300
ARPT24B14A*			22,000	16,500	13.50	11.00	800	5987873
ARPT30B14A*			23,400	17,500	14.00	12.00	750	5987874
ARUF24B14B*			23,000	17,200	13.50	11.00	800	5987875
ARUF24B14B*+TXV			23,000	17,200	14.00	11.50	800	5987876
ASPT30C14A*			23,600	17,700	16.00	13.00	750	5756180
ASUF29B14A*			23,000	17,200	14.00	11.50	690	5987877
ASUF29B14A*+TXV			23,000	17,200	14.50	12.00	690	5987878
ASUF39C14A*			23,600	17,700	14.00	12.00	885	5987879
ASUF39C14A*+TXV			23,600	17,700	15.00	12.50	885	5987880
AVPTC30C14A*			23,600	17,700	16.00	13.00	780	5924471
AWUF31XX16A*			24,000	18,000	15.00	12.50	750	5753221
AWUF31XX16A*+TXV			24,000	18,000	15.00	12.50	750	5753101
AWUF32XX16A*			24,000	18,000	15.00	12.50	750	5753222
AWUF32XX16A*+TXV			24,000	18,000	15.00	12.50	750	5753102
CA*F3131*6D*		G*E80603B*B*	23,000	17,200	14.50	12.50	850	5987896
CA*F3131*6D*		G*VC80604B*B*	23,000	17,200	14.50	12.00	750	5987903
CA*F3131*6D*		G*VC80805C*B*	23,000	17,200	14.50	12.00	800	5987914
CA*F3131*6D*		G*VC81005C*B*	23,000	17,200	14.50	12.00	750	5987926
CA*F3131*6D*		GME950403BXA*	23,000	17,200	14.50	12.00	770	5988006
CA*F3131*6D*		GME950603BXA*	23,000	17,200	14.50	12.00	750	5988014
CA*F3131*6D*		A*VC80604B*B*	23,000	17,200	14.50	12.00	750	5988800
CA*F3131*6D*		A*VC80805C*B*	23,000	17,200	14.50	12.00	800	5988809
CA*F3131*6D*		A*VC81005C*B*	23,000	17,200	14.50	12.00	750	5988821
CA*F3131*6D*		A*EH800603B*A*	23,000	17,200	14.50	12.50	850	6945900
CA*F3131*6D*	AMEH960403BXA*	23,000	17,200	14.50	12.00	770	6945901	

See Notes on Page 60.

AHRI RATINGS (CONT.)

OUTDOOR UNIT	INDOOR UNITS		COOLING RATINGS				CFM	AHRI #
	COILS/AIR HANDLERS	FURNACES	TOTAL ¹	SENS. ¹	SEER ²	EER ³		
ASX16 0241F* (cont.)	CA*F3131*6D*	AMEH960603BXA*	23,000	17,200	14.50	12.00	750	6945902
	CA*F3131*6D*+TXV	G*E80603B*B*	23,000	17,200	15.00	12.50	850	5987897
	CA*F3131*6D*+TXV	G*VC80604B*B*	23,000	17,200	15.20	12.50	750	5987904
	CA*F3131*6D*+TXV	G*VC80805C*B*	23,000	17,200	15.20	12.50	800	5987915
	CA*F3131*6D*+TXV	G*VC81005C*B*	23,000	17,200	15.20	12.50	750	5987927
	CA*F3131*6D*+TXV	GME950403BXA*	23,000	17,200	15.20	12.50	770	5988007
	CA*F3131*6D*+TXV	GME950603BXA*	23,000	17,200	15.20	12.50	750	5988015
	CA*F3131*6D*+TXV	A*VC80604B*B*	23,000	17,200	15.20	12.50	750	5988801
	CA*F3131*6D*+TXV	A*VC80805C*B*	23,000	17,200	15.20	12.50	800	5988810
	CA*F3131*6D*+TXV	A*VC81005C*B*	23,000	17,200	15.20	12.50	750	5988822
	CA*F3131*6D*+TXV	A*EH800603B*A*	23,000	17,200	15.00	12.50	850	6945903
	CA*F3131*6D*+TXV	AMEH960403BXA*	23,000	17,200	15.20	12.50	770	6945904
	CA*F3131*6D*+TXV	AMEH960603BXA*	23,000	17,200	15.20	12.50	750	6945905
	CA*F3636*6D*	G*E80603B*B*	23,600	17,700	15.00	12.50	850	5987898
	CA*F3636*6D*	G*VC80604B*B*	23,600	17,700	15.00	12.50	750	5987905
	CA*F3636*6D*	G*VC80805C*B*	23,600	17,700	15.00	12.50	800	5987916
	CA*F3636*6D*	G*VC81005C*B*	23,600	17,700	15.00	12.50	750	5987928
	CA*F3636*6D*	G*VC950453BxB*	23,600	17,700	15.00	12.50	760	5987939
	CA*F3636*6D*	G*VC950704CXB*	23,600	17,700	15.00	12.50	750	5987950
	CA*F3636*6D*	G*VC950714CXB*	23,600	17,700	15.00	12.50	740	5987963
	CA*F3636*6D*	G*VC950905CXB*	23,600	17,700	15.00	12.50	750	5987968
	CA*F3636*6D*	G*VC950905DXB*	23,600	17,700	15.00	12.50	750	5987978
	CA*F3636*6D*	G*VC950915DXB*	23,600	17,700	15.00	12.50	750	5987979
	CA*F3636*6D*	G*VM960603BxB*	23,600	17,700	15.00	12.50	800	5987980
	CA*F3636*6D*	G*VM960604CXB*	23,600	17,700	15.00	12.50	660	5987988
	CA*F3636*6D*	G*VM960805CXB*	23,600	17,700	15.00	12.50	740	5987994
	CA*F3636*6D*	G*VM960805DXB*	23,600	17,700	15.00	12.50	750	5988002
	CA*F3636*6D*	GME950403BXA*	23,600	17,700	15.50	12.50	770	5988008
	CA*F3636*6D*	GME950603BXA*	23,600	17,700	14.50	12.00	750	5988016
	CA*F3636*6D*	A*VC80604B*B*	23,600	17,700	15.00	12.50	750	5988802
	CA*F3636*6D*	A*VC80805C*B*	23,600	17,700	15.00	12.50	800	5988811
	CA*F3636*6D*	A*VC81005C*B*	23,600	17,700	15.00	12.50	750	5988823
	CA*F3636*6D*	A*VC950453BxB*	23,600	17,700	15.00	12.50	760	5988834
	CA*F3636*6D*	A*VC950704CXB*	23,600	17,700	15.00	12.50	750	5988843
	CA*F3636*6D*	A*VC950714CXB*	23,600	17,700	15.00	12.50	740	5988856
	CA*F3636*6D*	A*VC950905CXB*	23,600	17,700	15.00	12.50	750	5988861
	CA*F3636*6D*	A*VC950905DXB*	23,600	17,700	15.00	12.50	750	5988871
	CA*F3636*6D*	A*VC950915DXB*	23,600	17,700	15.00	12.50	750	5988872
	CA*F3636*6D*	A*VM960603BxB*	23,600	17,700	15.00	12.50	800	5988873
	CA*F3636*6D*	A*VM960604CXB*	23,600	17,700	15.00	12.50	660	5988881
	CA*F3636*6D*	A*VM960805CXB*	23,600	17,700	15.00	12.50	740	5988887
	CA*F3636*6D*	A*VM960805DXB*	23,600	17,700	15.00	12.50	750	5988895
CA*F3636*6D*	A*EH800603B*A*	23,600	17,700	15.00	12.50	850	6945906	
CA*F3636*6D*	AMEH960403BXA*	23,600	17,700	15.50	12.50	770	6945907	
CA*F3636*6D*	AMEH960603BXA*	23,600	17,700	14.50	12.00	750	6945908	
CA*F3636*6D*+EEP		23,600	17,700	14.00	12.00	750	5987881	
CA*F3636*6D*+EEP+TXV		23,600	17,700	14.50	12.00	750	5753093	
CA*F3636*6D*+MBVC1200**-1A*		23,600	17,700	15.50	12.50	725	5987882	
CA*F3636*6D*+MBVC1200**-1A*+TXV		23,600	17,700	16.00	13.00	725	5987883	
CA*F3636*6D*+TXV	A*VC80604B*B*	23,600	17,700	15.50	12.50	750	5753097	
CA*F3636*6D*+TXV	A*VC950453BxB*	23,600	17,700	15.50	12.50	760	5753099	
CA*F3636*6D*+TXV	G*VC80604B*B*	23,600	17,700	15.50	12.50	750	5987906	
CA*F3636*6D*+TXV	G*VC80805C*B*	23,600	17,700	15.50	12.50	800	5987917	
CA*F3636*6D*+TXV	G*VC81005C*B*	23,600	17,700	15.50	12.50	750	5987929	
CA*F3636*6D*+TXV	G*VC950453BxB*	23,600	17,700	15.50	12.50	760	5987940	
CA*F3636*6D*+TXV	G*VC950704CXB*	23,600	17,700	15.50	12.50	750	5987951	
CA*F3636*6D*+TXV	G*VC950714CXB*	23,600	17,700	15.50	12.50	740	5987964	

See Notes on Page 60.

AHRI RATINGS (CONT.)

OUTDOOR UNIT	INDOOR UNITS		COOLING RATINGS				CFM	AHRI #
	COILS/AIR HANDLERS	FURNACES	TOTAL ¹	SENS. ¹	SEER ²	EER ³		
ASX16 0241F* (cont.)	CA*F3636*6D*+TXV	G*VC950905CXB*	23,600	17,700	15.50	12.50	750	5987969
	CA*F3636*6D*+TXV	G*VM960603BXB*	23,600	17,700	15.50	12.50	800	5987981
	CA*F3636*6D*+TXV	G*VM960805CXB*	23,600	17,700	15.50	12.50	740	5987995
	CA*F3636*6D*+TXV	ADVC80805C*B*	23,600	17,700	16.00	13.00	730	5988004
	CA*F3636*6D*+TXV	GME950403BXA*	23,600	17,700	15.50	12.50	770	5988009
	CA*F3636*6D*+TXV	A*VC80805C*B*	23,600	17,700	15.50	12.50	800	5988812
	CA*F3636*6D*+TXV	A*VC81005C*B*	23,600	17,700	15.50	12.50	750	5988824
	CA*F3636*6D*+TXV	A*VC950704CXB*	23,600	17,700	15.50	12.50	750	5988844
	CA*F3636*6D*+TXV	A*VC950714CXB*	23,600	17,700	15.50	12.50	740	5988857
	CA*F3636*6D*+TXV	A*VC950905CXB*	23,600	17,700	15.50	12.50	750	5988862
	CA*F3636*6D*+TXV	A*VM960603BXB*	23,600	17,700	15.50	12.50	800	5988874
	CA*F3636*6D*+TXV	A*VM960805CXB*	23,600	17,700	15.50	12.50	740	5988888
	CA*F3636*6D*+TXV	GME950603BXA*	24,000	18,000	16.00	13.00	750	6090095
	CA*F3636*6D*+TXV	G*E80603B*B*	24,000	18,000	16.00	13.00	750	6107825
	CA*F3636*6D*+TXV	A*EH800603B*A*	24,000	18,000	16.00	13.00	750	6945909
	CA*F3636*6D*+TXV	AMEH960403BXA*	23,600	17,700	15.50	12.50	770	6945910
	CA*F3636*6D*+TXV	AMEH960603BXA*	24,000	18,000	16.00	13.00	750	6945911
	CA*F3642*6D*	G*VC81005C*B*	23,600	17,700	15.50	12.50	750	5987930
	CA*F3642*6D*	G*VC950704CXB*	23,600	17,700	15.50	12.50	750	5987952
	CA*F3642*6D*	G*VC950714CXB*	23,600	17,700	15.50	12.50	740	5987965
	CA*F3642*6D*	G*VM960604CXB*	23,600	17,700	15.50	12.50	660	5987989
	CA*F3642*6D*	ADVC81005C*B*	23,600	17,700	15.50	12.50	780	5988005
	CA*F3642*6D*	GME950603BXA*	23,400	17,500	15.50	12.50	750	5988017
	CA*F3642*6D*	A*VC81005C*B*	23,600	17,700	15.50	12.50	750	5988825
	CA*F3642*6D*	A*VC950704CXB*	23,600	17,700	15.50	12.50	750	5988845
	CA*F3642*6D*	A*VC950714CXB*	23,600	17,700	15.50	12.50	740	5988858
	CA*F3642*6D*	A*VM960604CXB*	23,600	17,700	15.50	12.50	660	5988882
	CA*F3642*6D*	AMEH960603BXA*	23,400	17,500	15.50	12.50	750	6945912
	CA*F3642*6D*+EEP		24,000	18,000	14.00	12.00	750	5987884
	CA*F3642*6D*+TXV	GME950603BXA*	23,400	17,500	15.50	12.50	750	5988018
	CA*F3642*6D*+TXV	AMEH960603BXA*	23,400	17,500	15.50	12.50	750	6945913
	CA*F3743*6D*	G*VC80604B*B*	23,600	17,700	15.50	12.50	750	5987907
	CA*F3743*6D*	G*VC80805C*B*	23,600	17,700	15.50	12.50	800	5987918
	CA*F3743*6D*	G*VC81005C*B*	23,600	17,700	15.50	12.50	750	5987931
	CA*F3743*6D*	G*VC950453BXB*	23,600	17,700	15.50	12.50	760	5987941
	CA*F3743*6D*	G*VC950704CXB*	23,600	17,700	15.50	12.50	750	5987953
	CA*F3743*6D*	G*VC950714CXB*	23,600	17,700	15.50	12.50	740	5987966
	CA*F3743*6D*	G*VC950905CXB*	23,600	17,700	15.00	12.50	750	5987970
	CA*F3743*6D*	G*VM960603BXB*	23,600	17,700	15.50	12.50	800	5987982
	CA*F3743*6D*	G*VM960604CXB*	23,600	17,700	15.50	12.50	660	5987990
	CA*F3743*6D*	G*VM960805CXB*	23,600	17,700	15.50	12.50	740	5987996
	CA*F3743*6D*	GME950603BXA*	23,600	17,700	15.00	12.50	750	5988019
	CA*F3743*6D*	A*VC80604B*B*	23,600	17,700	15.50	12.50	750	5988803
	CA*F3743*6D*	A*VC80805C*B*	23,600	17,700	15.50	12.50	800	5988813
	CA*F3743*6D*	A*VC81005C*B*	23,600	17,700	15.50	12.50	750	5988826
	CA*F3743*6D*	A*VC950453BXB*	23,600	17,700	15.50	12.50	760	5988835
	CA*F3743*6D*	A*VC950704CXB*	23,600	17,700	15.50	12.50	750	5988846
	CA*F3743*6D*	A*VC950714CXB*	23,600	17,700	15.50	12.50	740	5988859
	CA*F3743*6D*	A*VC950905CXB*	23,600	17,700	15.00	12.50	750	5988863
	CA*F3743*6D*	A*VM960603BXB*	23,600	17,700	15.50	12.50	800	5988875
CA*F3743*6D*	A*VM960604CXB*	23,600	17,700	15.50	12.50	660	5988883	
CA*F3743*6D*	A*VM960805CXB*	23,600	17,700	15.50	12.50	740	5988889	
CA*F3743*6D*	AMEH960603BXA*	23,600	17,700	15.00	12.50	750	6945914	
CA*F3743*6D*+EEP		24,000	18,000	14.00	12.00	750	5987885	
CA*F3743*6D*+EEP+TXV		24,000	18,000	15.00	12.50	700	5753094	
CA*F3743*6D*+TXV	G*VC80604B*B*	23,600	17,700	16.00	13.00	750	5987908	
CA*F3743*6D*+TXV	G*VC80805C*B*	23,600	17,700	16.00	13.00	800	5987919	

See Notes on Page 60.

AHRI RATINGS (CONT.)

OUTDOOR UNIT	INDOOR UNITS		COOLING RATINGS				CFM	AHRI #
	COILS/AIR HANDLERS	FURNACES	TOTAL ¹	SENS. ¹	SEER ²	EER ³		
ASX16 0241F* (cont.)	CA*F3743*6D*+TXV	G*VC81005C*B*	23,600	17,700	16.00	13.00	750	5987932
	CA*F3743*6D*+TXV	G*VC950453BXB*	23,600	17,700	16.00	13.00	760	5987942
	CA*F3743*6D*+TXV	G*VC950704CXB*	23,600	17,700	16.00	13.00	750	5987954
	CA*F3743*6D*+TXV	G*VC950714CXB*	23,600	17,700	16.00	13.00	740	5987967
	CA*F3743*6D*+TXV	G*VC950905CXB*	23,600	17,700	16.00	13.00	750	5987971
	CA*F3743*6D*+TXV	G*VM960603BXB*	23,600	17,700	16.00	13.00	800	5987983
	CA*F3743*6D*+TXV	G*VM960604CXB*	23,600	17,700	16.00	13.00	660	5987991
	CA*F3743*6D*+TXV	G*VM960805CXB*	23,600	17,700	16.00	13.00	740	5987997
	CA*F3743*6D*+TXV	ADVC80603B*B*	23,600	17,700	16.00	13.00	800	5988003
	CA*F3743*6D*+TXV	GME950403BXA*	23,600	17,700	16.00	13.00	770	5988010
	CA*F3743*6D*+TXV	GME950603BXA*	23,600	17,700	15.50	12.50	750	5988020
	CA*F3743*6D*+TXV	A*VC80604B*B*	23,600	17,700	16.00	13.00	750	5988804
	CA*F3743*6D*+TXV	A*VC80805C*B*	23,600	17,700	16.00	13.00	800	5988814
	CA*F3743*6D*+TXV	A*VC81005C*B*	23,600	17,700	16.00	13.00	750	5988827
	CA*F3743*6D*+TXV	A*VC950453BXB*	23,600	17,700	16.00	13.00	760	5988836
	CA*F3743*6D*+TXV	A*VC950704CXB*	23,600	17,700	16.00	13.00	750	5988847
	CA*F3743*6D*+TXV	A*VC950714CXB*	23,600	17,700	16.00	13.00	740	5988860
	CA*F3743*6D*+TXV	A*VC950905CXB*	23,600	17,700	16.00	13.00	750	5988864
	CA*F3743*6D*+TXV	A*VM960603BXB*	23,600	17,700	16.00	13.00	800	5988876
	CA*F3743*6D*+TXV	A*VM960604CXB*	23,600	17,700	16.00	13.00	660	5988884
	CA*F3743*6D*+TXV	A*VM960805CXB*	23,600	17,700	16.00	13.00	740	5988890
	CA*F3743*6D*+TXV	AMEH960403BXA*	23,600	17,700	16.00	13.00	770	6945915
	CA*F3743*6D*+TXV	AMEH960603BXA*	23,600	17,700	15.50	12.50	750	6945916
	CAPT3131*4A*	G*E80603B*B*	23,000	17,200	15.20	12.50	850	5987899
	CAPT3131*4A*	G*VC80604B*B*	23,000	17,200	15.20	12.50	750	5987909
	CAPT3131*4A*	G*VC80805C*B*	23,000	17,200	15.20	12.50	800	5987920
	CAPT3131*4A*	G*VC81005C*B*	23,000	17,200	15.20	12.50	750	5987933
	CAPT3131*4A*	GME950403BXA*	23,000	17,200	15.20	12.50	770	5988011
	CAPT3131*4A*	GME950603BXA*	23,000	17,200	15.20	12.50	750	5988021
	CAPT3131*4A*	A*VC80604B*B*	23,000	17,200	15.20	12.50	750	5988805
	CAPT3131*4A*	A*VC80805C*B*	23,000	17,200	15.20	12.50	800	5988815
	CAPT3131*4A*	A*VC81005C*B*	23,000	17,200	15.20	12.50	750	5988828
	CAPT3131*4A*	G*VC950714CXB*	23,200	17,400	15.00	12.50	775	6345880
	CAPT3131*4A*	A*VC950714CXB*	23,200	17,400	15.00	12.50	775	6345881
	CAPT3131*4A*	G*VM960604CXB*	23,200	17,400	15.00	12.50	800	6345882
	CAPT3131*4A*	A*VM960604CXB*	23,200	17,400	15.00	12.50	800	6345883
	CAPT3131*4A*	G*VC950453BXB*	23,200	17,400	14.50	12.00	800	6345884
	CAPT3131*4A*	A*VC950453BXB*	23,200	17,400	14.50	12.00	800	6345885
	CAPT3131*4A*	G*VC950704CXB*	23,200	17,400	15.00	12.50	725	6345886
	CAPT3131*4A*	A*VC950704CXB*	23,200	17,400	15.00	12.50	725	6345887
	CAPT3131*4A*	G*VM960603BXB*	23,200	17,400	15.00	12.50	800	6345888
	CAPT3131*4A*	A*VM960603BXB*	23,200	17,400	15.00	12.50	800	6345889
	CAPT3131*4A*	ADVC80603B*B*	23,200	17,400	15.00	12.50	800	6345890
	CAPT3131*4A*	A*EH800603B*A*	23,000	17,200	15.20	12.50	850	6945917
	CAPT3131*4A*	AMEH960403BXA*	23,000	17,200	15.20	12.50	770	6945918
	CAPT3131*4A*	AMEH960603BXA*	23,000	17,200	15.20	12.50	750	6945919
	CAPT3131*4A*+EEP		23,000	17,200	14.00	12.00	750	5987886
	CAPT3131*4A*+MBVC1200**-1A*		23,000	17,200	15.50	12.50	725	6345891
	CAPT3743*4A*+EEP		24,000	18,000	14.50	12.00	750	5987887
	CHPF2430B6C*	G*E80603B*B*	23,000	17,200	14.50	12.00	850	5987900
	CHPF2430B6C*	G*VC80604B*B*	23,000	17,200	14.50	12.00	750	5987910
	CHPF2430B6C*	G*VC80805C*B*	23,000	17,200	14.50	12.00	800	5987921
	CHPF2430B6C*	G*VC81005C*B*	23,000	17,200	14.50	12.00	750	5987934
	CHPF2430B6C*	A*VC80604B*B*	23,000	17,200	14.50	12.00	750	5988806
CHPF2430B6C*	A*VC80805C*B*	23,000	17,200	14.50	12.00	800	5988816	
CHPF2430B6C*	A*VC81005C*B*	23,000	17,200	14.50	12.00	750	5988829	
CHPF2430B6C*	A*EH800603B*A*	23,000	17,200	14.50	12.00	850	6945920	

See Notes on Page 60.

AHRI RATINGS (CONT.)

OUTDOOR UNIT	INDOOR UNITS		COOLING RATINGS				CFM	AHRI #
	COILS/AIR HANDLERS	FURNACES	TOTAL ¹	SENS. ¹	SEER ²	EER ³		
ASX16 0241F* (cont.)	CHPF2430B6C*+TXV	G*E80603B*B*	23,000	17,200	15.00	12.50	850	5987901
	CHPF2430B6C*+TXV	G*VC80604B*B*	23,000	17,200	15.00	12.50	750	5987911
	CHPF2430B6C*+TXV	G*VC80805C*B*	23,000	17,200	15.20	12.50	800	5987922
	CHPF2430B6C*+TXV	G*VC81005C*B*	23,000	17,200	15.00	12.50	750	5987935
	CHPF2430B6C*+TXV	A*VC80604B*B*	23,000	17,200	15.00	12.50	750	5988807
	CHPF2430B6C*+TXV	A*VC80805C*B*	23,000	17,200	15.20	12.50	800	5988817
	CHPF2430B6C*+TXV	A*VC81005C*B*	23,000	17,200	15.00	12.50	750	5988830
	CHPF2430B6C*+TXV	A*EH800603B*A*	23,000	17,200	15.00	12.50	850	6945921
	CHPF3636B6C*	G*E80603B*B*	23,600	17,700	15.50	12.50	850	5987902
	CHPF3636B6C*	G*VC80604B*B*	23,600	17,700	15.00	12.50	750	5987912
	CHPF3636B6C*	G*VC80805C*B*	23,600	17,700	15.00	12.50	800	5987923
	CHPF3636B6C*	G*VC81005C*B*	23,600	17,700	15.00	12.50	750	5987936
	CHPF3636B6C*	G*VC950453BXB*	23,600	17,700	14.50	12.00	760	5987943
	CHPF3636B6C*	G*VC950704CXB*	23,600	17,700	14.50	12.00	750	5987955
	CHPF3636B6C*	G*VC950905CXB*	23,600	17,700	14.50	12.00	750	5987972
	CHPF3636B6C*	G*VM960603BXB*	23,600	17,700	14.50	12.00	800	5987984
	CHPF3636B6C*	G*VM960604CXB*	23,600	17,700	15.00	12.50	660	5987992
	CHPF3636B6C*	G*VM960805CXB*	23,600	17,700	15.00	12.50	740	5987998
	CHPF3636B6C*	GME950403BXA*	23,600	17,700	15.00	12.50	770	5988012
	CHPF3636B6C*	GME950603BXA*	23,600	17,700	15.50	12.50	750	5988022
	CHPF3636B6C*	A*VC80604B*B*	23,600	17,700	15.00	12.50	750	5988808
	CHPF3636B6C*	A*VC80805C*B*	23,600	17,700	15.00	12.50	800	5988818
	CHPF3636B6C*	A*VC81005C*B*	23,600	17,700	15.00	12.50	750	5988831
	CHPF3636B6C*	A*VC950453BXB*	23,600	17,700	14.50	12.00	760	5988837
	CHPF3636B6C*	A*VC950704CXB*	23,600	17,700	14.50	12.00	750	5988848
	CHPF3636B6C*	A*VC950905CXB*	23,600	17,700	14.50	12.00	750	5988865
	CHPF3636B6C*	A*VM960603BXB*	23,600	17,700	14.50	12.00	800	5988877
	CHPF3636B6C*	A*VM960604CXB*	23,600	17,700	15.00	12.50	660	5988885
	CHPF3636B6C*	A*VM960805CXB*	23,600	17,700	15.00	12.50	740	5988891
	CHPF3636B6C*	A*EH800603B*A*	23,600	17,700	15.50	12.50	850	6945922
	CHPF3636B6C*	AMEH960403BXA*	23,600	17,700	15.00	12.50	770	6945923
	CHPF3636B6C*	AMEH960603BXA*	23,600	17,700	15.50	12.50	750	6945924
	CHPF3636B6C*+EEP		23,600	17,700	14.00	12.00	750	5987888
	CHPF3636B6C*+EEP+TXV		23,600	17,700	14.50	12.00	750	5753095
	CHPF3636B6C*+MBVC1200**-1A*		23,600	17,700	15.50	12.50	725	5987889
	CHPF3636B6C*+MBVC1200**-1A*+TXV		23,600	17,700	16.00	13.00	725	5987890
	CHPF3636B6C*+TXV	A*VC80604B*B*	23,600	17,700	15.50	12.50	750	5753098
	CHPF3636B6C*+TXV	A*VC950453BXB*	23,600	17,700	15.00	12.50	760	5753100
	CHPF3636B6C*+TXV	G*VC80604B*B*	23,600	17,700	15.50	12.50	750	5987913
	CHPF3636B6C*+TXV	G*VC80805C*B*	23,600	17,700	16.00	13.00	800	5987924
	CHPF3636B6C*+TXV	G*VC81005C*B*	23,600	17,700	15.50	12.50	750	5987937
	CHPF3636B6C*+TXV	G*VC950453BXB*	23,600	17,700	15.00	12.50	760	5987944
	CHPF3636B6C*+TXV	G*VC950704CXB*	23,600	17,700	15.00	12.50	750	5987956
	CHPF3636B6C*+TXV	G*VC950905CXB*	23,600	17,700	15.00	12.50	750	5987973
	CHPF3636B6C*+TXV	G*VM960603BXB*	23,600	17,700	15.00	12.50	800	5987985
	CHPF3636B6C*+TXV	G*VM960805CXB*	23,600	17,700	15.50	12.50	740	5987999
	CHPF3636B6C*+TXV	GME950403BXA*	23,600	17,700	15.50	12.50	770	5988013
	CHPF3636B6C*+TXV	A*VC80805C*B*	23,600	17,700	16.00	13.00	800	5988819
	CHPF3636B6C*+TXV	A*VC81005C*B*	23,600	17,700	15.50	12.50	750	5988832
	CHPF3636B6C*+TXV	A*VC950704CXB*	23,600	17,700	15.00	12.50	750	5988849
CHPF3636B6C*+TXV	A*VC950905CXB*	23,600	17,700	15.00	12.50	750	5988866	
CHPF3636B6C*+TXV	A*VM960603BXB*	23,600	17,700	15.00	12.50	800	5988878	
CHPF3636B6C*+TXV	A*VM960805CXB*	23,600	17,700	15.50	12.50	740	5988892	
CHPF3636B6C*+TXV	GME950603BXA*	24,000	18,000	16.00	13.00	750	6090100	
CHPF3636B6C*+TXV	G*E80603B*B*	24,000	18,000	16.00	13.00	750	6107826	
CHPF3636B6C*+TXV	A*EH800603B*A*	24,000	18,000	16.00	13.00	750	6945925	
CHPF3636B6C*+TXV	AMEH960403BXA*	23,600	17,700	15.50	12.50	770	6945926	

See Notes on Page 60.

AHRI RATINGS (CONT.)

OUTDOOR UNIT	INDOOR UNITS		COOLING RATINGS				CFM	AHRI #
	COILS/AIR HANDLERS	FURNACES	TOTAL ¹	SENS. ¹	SEER ²	EER ³		
ASX16 0241F* (cont.)	CHPF3636B6C*+TXV	AMEH960603BXA*	24,000	18,000	16.00	13.00	750	6945927
	CHPF3642C6C*	G*VC80805C*B*	23,600	17,700	15.00	12.50	800	5987925
	CHPF3642C6C*	G*VC81005C*B*	23,600	17,700	15.00	12.50	750	5987938
	CHPF3642C6C*	G*VC950704CXB*	23,600	17,700	15.00	12.50	750	5987957
	CHPF3642C6C*	G*VM960604CXB*	23,600	17,700	15.00	12.50	660	5987993
	CHPF3642C6C*	GME950603BXA*	23,600	17,700	15.00	12.50	750	5988023
	CHPF3642C6C*	A*VC80805C*B*	23,600	17,700	15.00	12.50	800	5988820
	CHPF3642C6C*	A*VC81005C*B*	23,600	17,700	15.00	12.50	750	5988833
	CHPF3642C6C*	A*VC950704CXB*	23,600	17,700	15.00	12.50	750	5988850
	CHPF3642C6C*	A*VM960604CXB*	23,600	17,700	15.00	12.50	660	5988886
	CHPF3642C6C*	AMEH960603BXA*	23,600	17,700	15.00	12.50	750	6945928
	CHPF3642C6C*+TXV	GME950603BXA*	23,600	17,700	15.50	12.50	750	5988024
	CHPF3642C6C*+TXV	G*VC950704CXB*	23,600	17,700	16.00	13.00	750	6498498
	CHPF3642C6C*+TXV	AMEH960603BXA*	23,600	17,700	15.50	12.50	750	6945929
	CHPF3743C6B*	G*VC950453BXB*	23,600	17,700	15.00	12.50	760	5987945
	CHPF3743C6B*	G*VC950704CXB*	23,600	17,700	15.00	12.50	750	5987958
	CHPF3743C6B*	G*VC950905CXB*	23,600	17,700	15.50	12.50	750	5987974
	CHPF3743C6B*	G*VM960603BXB*	23,600	17,700	15.50	12.50	800	5987986
	CHPF3743C6B*	G*VM960805CXB*	23,600	17,700	15.50	12.50	740	5988000
	CHPF3743C6B*	A*VC950453BXB*	23,600	17,700	15.00	12.50	760	5988838
	CHPF3743C6B*	A*VC950704CXB*	23,600	17,700	15.00	12.50	750	5988851
	CHPF3743C6B*	A*VC950905CXB*	23,600	17,700	15.50	12.50	750	5988867
	CHPF3743C6B*	A*VM960603BXB*	23,600	17,700	15.50	12.50	800	5988879
	CHPF3743C6B*	A*VM960805CXB*	23,600	17,700	15.50	12.50	740	5988893
	CHPF3743C6B*+EEP		23,600	17,700	14.50	12.00	750	5987891
	CHPF3743C6B*+EEP+TXV		24,000	18,000	15.00	12.50	750	5753096
	CHPF3743C6B*+TXV	A*VC950453BXB*	23,600	17,700	15.50	12.50	760	6079807
	CHPF3743C6B*+TXV	A*VC950704CXB*	23,600	17,700	15.50	12.50	750	6079808
	CHPF3743C6B*+TXV	A*VC950905CXB*	23,600	17,700	16.00	13.00	750	6079809
	CHPF3743C6B*+TXV	G*VC950453BXB*	23,600	17,700	15.50	12.50	760	6079810
	CHPF3743C6B*+TXV	G*VC950704CXB*	23,600	17,700	15.50	12.50	750	6079811
	CHPF3743C6B*+TXV	G*VC950905CXB*	23,600	17,700	16.00	13.00	750	6079812
	CHPF3743C6B*+TXV	A*VM960603BXB*	23,600	17,700	15.50	12.50	800	6079860
	CHPF3743C6B*+TXV	A*VM960805CXB*	23,600	17,700	15.50	12.50	740	6079861
	CHPF3743C6B*+TXV	G*VM960603BXB*	23,600	17,700	15.50	12.50	800	6079862
	CHPF3743C6B*+TXV	G*VM960805CXB*	23,600	17,700	15.50	12.50	740	6079863
	CSCF3036N6D*	G*VC950453BXB*	23,400	17,500	15.00	12.50	760	5987947
	CSCF3036N6D*	G*VC950704CXB*	23,400	17,500	15.00	12.50	750	5987960
	CSCF3036N6D*	A*VC950453BXB*	23,400	17,500	15.00	12.50	760	5988840
	CSCF3036N6D*	A*VC950704CXB*	23,400	17,500	15.00	12.50	750	5988853
	CSCF3036N6D*+EEP		23,400	17,500	14.00	12.00	750	5987892
	CSCF3036N6D*+EEP+TXV		23,400	17,500	14.50	12.00	750	5987893
	CSCF3642N6D*	G*VC950453BXB*	23,400	17,500	14.50	12.00	760	5987948
	CSCF3642N6D*	G*VC950704CXB*	23,400	17,500	14.00	11.50	750	5987961
	CSCF3642N6D*	G*VC950905CXB*	23,400	17,500	15.00	12.50	750	5987976
	CSCF3642N6D*	A*VC950453BXB*	23,400	17,500	14.50	12.00	760	5988841
	CSCF3642N6D*	A*VC950704CXB*	23,400	17,500	14.00	11.50	750	5988854
	CSCF3642N6D*	A*VC950905CXB*	23,400	17,500	15.00	12.50	750	5988869
CSCF3642N6D*+EEP		23,400	17,500	14.50	12.00	750	5987894	
CSCF3642N6D*+EEP+TXV		23,400	17,500	14.50	12.00	750	5987895	
CSCF3642N6D*+TXV	G*VC950453BXB*	23,400	17,500	15.00	12.50	760	5987949	
CSCF3642N6D*+TXV	G*VC950704CXB*	23,400	17,500	15.50	12.50	750	5987962	
CSCF3642N6D*+TXV	G*VC950905CXB*	23,400	17,500	15.50	12.50	750	5987977	
CSCF3642N6D*+TXV	A*VC950453BXB*	23,400	17,500	15.00	12.50	760	5988842	
CSCF3642N6D*+TXV	A*VC950704CXB*	23,400	17,500	15.50	12.50	750	5988855	
CSCF3642N6D*+TXV	A*VC950905CXB*	23,400	17,500	15.50	12.50	750	5988870	

See Notes on Page 60.

AHRI RATINGS (CONT.)

OUTDOOR UNIT	INDOOR UNITS		COOLING RATINGS				CFM	AHRI #
	COILS/AIR HANDLERS	FURNACES	TOTAL ¹	SENS. ¹	SEER ²	EER ³		
ASX16 0301F*	ACNF30XX16D*		27,000	20,600	14.00	12.00	850	6107301
	ARPT36C14A*		28,000	21,400	13.50	11.50	1,050	6107307
	ARUF30C14B*+TXV		28,000	21,400	13.50	12.00	1,020	6155035
	ARUF36C14B*		28,000	21,400	13.50	11.50	1,000	6107308
	ARUF36C14B*+TXV		28,000	21,400	13.50	11.50	1,000	6107309
	ASPT30C14A*		27,600	21,000	16.00	13.00	850	5756181
	ASPT36C14A*		28,000	21,400	16.00	13.00	900	5756182
	ASUF39C14A*		29,000	22,200	14.50	12.00	900	5988025
	ASUF39C14A*+TXV		29,000	22,200	15.00	12.50	900	5988026
	AVPTC30C14A*		27,600	21,000	16.00	13.00	860	5924383
	AVPTC36C14A*		28,000	21,400	16.00	13.00	1,000	5924384
	AWUF31XX16A*		28,000	21,400	15.00	12.50	850	5753223
	AWUF31XX16A*+TXV		28,000	21,400	15.00	12.50	850	5753111
	AWUF32XX16A*		28,000	21,400	15.00	12.50	850	5753224
	AWUF32XX16A*+TXV		28,000	21,400	15.00	12.50	850	5753112
	AWUF36XX16B*+TXV		28,400	21,600	14.00	12.00	1,000	6514956
	AWUF37XX16B*		28,400	21,600	15.00	12.50	950	5753225
	AWUF37XX16B*+TXV		28,400	21,600	15.00	12.50	950	5753113
	CA*F3636*6D*	G*VC80604B*B*	28,400	21,600	15.00	12.50	1,000	5988060
	CA*F3636*6D*	G*VC950704CXB*	28,400	21,600	14.50	12.00	900	5988087
	CA*F3636*6D*	G*VC950714CXB*	28,400	21,600	14.50	12.00	1,000	5988100
	CA*F3636*6D*	G*VM960603BXB*	28,400	21,600	15.00	12.50	990	5988140
	CA*F3636*6D*	G*VM960604CXB*	28,400	21,600	14.50	12.00	860	5988144
	CA*F3636*6D*	GME950603BXA*	28,400	21,600	14.00	12.00	1,000	5988196
	CA*F3636*6D*	A*VC80604B*B*	28,400	21,600	15.00	12.50	1,000	5988896
	CA*F3636*6D*	A*VC950704CXB*	28,400	21,600	14.50	12.00	900	5988921
	CA*F3636*6D*	A*VC950714CXB*	28,400	21,600	14.50	12.00	1,000	5988933
	CA*F3636*6D*	A*VM960603BXB*	28,400	21,600	15.00	12.50	990	5988973
	CA*F3636*6D*	A*VM960604CXB*	28,400	21,600	14.50	12.00	860	5988977
	CA*F3636*6D*	AMEH960603BXA*	28,400	21,600	14.00	12.00	1,000	6945930
	CA*F3636*6D*+EEP+TXV		28,400	21,600	14.00	12.00	1,000	5988027
	CA*F3636*6D*+MBVC1200**-1A*		28,400	21,600	14.50	12.00	910	5988028
	CA*F3636*6D*+MBVC1200**-1A*+TXV		28,400	21,600	15.00	12.50	910	5988029
	CA*F3636*6D*+TXV	G*VC80604B*B*	28,400	21,600	15.00	12.50	1,000	5988061
	CA*F3636*6D*+TXV	G*VC950453BXB*	28,400	21,600	15.00	12.50	1,000	5988081
	CA*F3636*6D*+TXV	G*VC950704CXB*	28,400	21,600	15.00	12.50	900	5988088
	CA*F3636*6D*+TXV	GME950403BXA*	28,400	21,600	15.00	12.50	990	5988190
	CA*F3636*6D*+TXV	GME950603BXA*	28,400	21,600	14.50	12.00	1,000	5988197
	CA*F3636*6D*+TXV	A*VC80604B*B*	28,400	21,600	15.00	12.50	1,000	5988897
	CA*F3636*6D*+TXV	A*VC950453BXB*	28,400	21,600	15.00	12.50	1,000	5988915
	CA*F3636*6D*+TXV	A*VC950704CXB*	28,400	21,600	15.00	12.50	900	5988922
	CA*F3636*6D*+TXV	AMEH960403BXA*	28,400	21,600	15.00	12.50	990	6945931
	CA*F3636*6D*+TXV	AMEH960603BXA*	28,400	21,600	14.50	12.00	1,000	6945932
	CA*F3642*6D*	G*VC80805C*B*	28,600	21,800	15.00	12.50	980	5988065
	CA*F3642*6D*	G*VC81005C*B*	28,600	21,800	15.00	12.50	1,000	5988074
CA*F3642*6D*	G*VC950704CXB*	28,600	21,800	15.00	12.50	900	5988089	
CA*F3642*6D*	G*VC950714CXB*	28,600	21,800	15.00	12.50	1,000	5988101	
CA*F3642*6D*	G*VC950905CXB*	28,600	21,800	15.00	12.50	900	5988109	
CA*F3642*6D*	G*VC950905DXB*	28,600	21,800	15.00	12.50	1,000	5988118	
CA*F3642*6D*	G*VC950915DXB*	28,600	21,800	15.00	12.50	1,000	5988125	
CA*F3642*6D*	G*VC951155DXB*	28,600	21,800	15.00	12.50	900	5988131	
CA*F3642*6D*	G*VM960604CXB*	28,600	21,800	15.00	12.50	860	5988145	
CA*F3642*6D*	G*VM960805CXB*	28,600	21,800	15.00	12.50	980	5988150	
CA*F3642*6D*	G*VM960805DXB*	28,600	21,800	15.00	12.50	1,000	5988159	
CA*F3642*6D*	G*VM961005DXB*	28,600	21,800	14.50	12.00	900	5988168	

See Notes on Page 60.

AHRI RATINGS (CONT.)

OUTDOOR UNIT	INDOOR UNITS		COOLING RATINGS				CFM	AHRI #
	COILS/AIR HANDLERS	FURNACES	TOTAL ¹	SENS. ¹	SEER ²	EER ³		
ASX16 0301F* (cont.)	CA*F3642*6D*	G*VM961155DXB*	28,600	21,800	14.50	12.00	1,000	5988177
	CA*F3642*6D*	ADVC80805C*B*	28,600	21,800	15.00	12.50	990	5988186
	CA*F3642*6D*	ADVC81005C*B*	28,600	21,800	15.00	12.50	1,000	5988188
	CA*F3642*6D*	GME950603BXA*	28,600	21,800	14.50	12.00	1,000	5988198
	CA*F3642*6D*	A*VC80805C*B*	28,600	21,800	15.00	12.50	980	5988901
	CA*F3642*6D*	A*VC81005C*B*	28,600	21,800	15.00	12.50	1,000	5988908
	CA*F3642*6D*	A*VC950704CXB*	28,600	21,800	15.00	12.50	900	5988923
	CA*F3642*6D*	A*VC950714CXB*	28,600	21,800	15.00	12.50	1,000	5988934
	CA*F3642*6D*	A*VC950905CXB*	28,600	21,800	15.00	12.50	900	5988942
	CA*F3642*6D*	A*VC950905DXB*	28,600	21,800	15.00	12.50	1,000	5988951
	CA*F3642*6D*	A*VC950915DXB*	28,600	21,800	15.00	12.50	1,000	5988958
	CA*F3642*6D*	A*VC951155DXB*	28,600	21,800	15.00	12.50	900	5988964
	CA*F3642*6D*	A*VM960604CXB*	28,600	21,800	15.00	12.50	860	5988978
	CA*F3642*6D*	A*VM960805CXB*	28,600	21,800	15.00	12.50	980	5988983
	CA*F3642*6D*	A*VM960805DXB*	28,600	21,800	15.00	12.50	1,000	5988992
	CA*F3642*6D*	A*VM961005DXB*	28,600	21,800	14.50	12.00	900	5989001
	CA*F3642*6D*	A*VM961155DXB*	28,600	21,800	14.50	12.00	1,000	5989010
	CA*F3642*6D*	AMEH960603BXA*	28,600	21,800	14.50	12.00	1,000	6945933
	CA*F3642*6D*+EEP		28,600	21,800	14.00	12.00	1,000	5988030
	CA*F3642*6D*+TXV	G*E80603B*B*	28,600	21,800	15.00	12.50	1,000	5988046
	CA*F3642*6D*+TXV	G*E80805C*B*	28,600	21,800	15.00	12.50	1,000	5988047
	CA*F3642*6D*+TXV	G*E81005C*B*	28,600	21,800	15.00	12.50	1,000	5988054
	CA*F3642*6D*+TXV	G*VC80805C*B*	28,600	21,800	15.50	12.50	980	5988066
	CA*F3642*6D*+TXV	G*VC81005C*B*	28,600	21,800	15.50	12.50	1,000	5988075
	CA*F3642*6D*+TXV	G*VC950704CXB*	28,600	21,800	15.00	12.50	900	5988090
	CA*F3642*6D*+TXV	G*VC950905CXB*	28,600	21,800	15.50	12.50	900	5988110
	CA*F3642*6D*+TXV	G*VC950905DXB*	28,600	21,800	15.50	12.50	1,000	5988119
	CA*F3642*6D*+TXV	G*VC951155DXB*	28,600	21,800	15.50	12.50	900	5988132
	CA*F3642*6D*+TXV	G*VM960805CXB*	28,600	21,800	15.00	12.50	980	5988151
	CA*F3642*6D*+TXV	G*VM960805DXB*	28,600	21,800	15.00	12.50	1,000	5988160
	CA*F3642*6D*+TXV	G*VM961005DXB*	28,600	21,800	15.00	12.50	900	5988169
	CA*F3642*6D*+TXV	G*VM961155DXB*	28,600	21,800	15.00	12.50	1,000	5988178
	CA*F3642*6D*+TXV	ADVC80805C*B*	28,600	21,800	15.50	12.50	990	5988187
	CA*F3642*6D*+TXV	ADVC81005C*B*	28,600	21,800	15.50	12.50	1,000	5988189
	CA*F3642*6D*+TXV	GME950603BXA*	28,600	21,800	15.00	12.50	1,000	5988199
	CA*F3642*6D*+TXV	A*VC80805C*B*	28,600	21,800	15.50	12.50	980	5988902
	CA*F3642*6D*+TXV	A*VC81005C*B*	28,600	21,800	15.50	12.50	1,000	5988909
	CA*F3642*6D*+TXV	A*VC950704CXB*	28,600	21,800	15.00	12.50	900	5988924
	CA*F3642*6D*+TXV	A*VC950905CXB*	28,600	21,800	15.50	12.50	900	5988943
	CA*F3642*6D*+TXV	A*VC950905DXB*	28,600	21,800	15.50	12.50	1,000	5988952
	CA*F3642*6D*+TXV	A*VC951155DXB*	28,600	21,800	15.50	12.50	900	5988965
	CA*F3642*6D*+TXV	A*VM960805CXB*	28,600	21,800	15.00	12.50	980	5988984
	CA*F3642*6D*+TXV	A*VM960805DXB*	28,600	21,800	15.00	12.50	1,000	5988993
	CA*F3642*6D*+TXV	A*VM961005DXB*	28,600	21,800	15.00	12.50	900	5989002
	CA*F3642*6D*+TXV	A*VM961155DXB*	28,600	21,800	15.00	12.50	1,000	5989011
	CA*F3642*6D*+TXV	A*EH800603B*A*	28,600	21,800	15.00	12.50	1,000	6945934
	CA*F3642*6D*+TXV	A*EH800805C*A*	28,600	21,800	15.00	12.50	1,000	6945935
CA*F3642*6D*+TXV	A*EH801005C*A*	28,600	21,800	15.00	12.50	1,000	6945936	
CA*F3642*6D*+TXV	AMEH960603BXA*	28,600	21,800	15.00	12.50	1,000	6945937	
CA*F3743*6D*	G*E80805C*B*	28,600	21,800	14.50	12.00	1,000	5988048	
CA*F3743*6D*	G*VC80805C*B*	28,600	21,800	15.50	12.50	980	5988067	
CA*F3743*6D*	G*VC81005C*B*	29,000	22,200	15.50	12.50	1,000	5988076	
CA*F3743*6D*	G*VC950453BXB*	28,600	21,800	15.00	12.50	1,000	5988082	
CA*F3743*6D*	G*VC950704CXB*	28,600	21,800	15.50	12.50	900	5988091	
CA*F3743*6D*	G*VC950714CXB*	28,600	21,800	15.50	12.50	1,000	5988102	

See Notes on Page 60.

AHRI RATINGS (CONT.)

OUTDOOR UNIT	INDOOR UNITS		COOLING RATINGS				CFM	AHRI #
	COILS/AIR HANDLERS	FURNACES	TOTAL ¹	SENS. ¹	SEER ²	EER ³		
ASX16 0301F* (cont.)	CA*F3743*6D*	G*VC950905CXB*	28,600	21,800	15.50	12.50	900	5988111
	CA*F3743*6D*	G*VC950905DXB*	28,600	21,800	15.50	12.50	1,000	5988120
	CA*F3743*6D*	G*VC950915DXB*	28,600	21,800	15.50	12.50	1,000	5988126
	CA*F3743*6D*	G*VC951155DXB*	28,600	21,800	15.00	12.50	900	5988133
	CA*F3743*6D*	G*VM960603BXB*	28,600	21,800	15.00	12.50	990	5988141
	CA*F3743*6D*	G*VM960604CXB*	28,600	21,800	15.50	12.50	860	5988146
	CA*F3743*6D*	G*VM960805CXB*	28,600	21,800	15.50	12.50	980	5988152
	CA*F3743*6D*	G*VM960805DXB*	28,600	21,800	15.50	12.50	1,000	5988161
	CA*F3743*6D*	G*VM961005DXB*	28,600	21,800	15.50	12.50	900	5988170
	CA*F3743*6D*	G*VM961155DXB*	28,600	21,800	15.50	12.50	1,000	5988179
	CA*F3743*6D*	GME950403BXA*	28,600	21,800	14.50	12.00	990	5988191
	CA*F3743*6D*	GME950805CXA*	28,600	21,800	15.50	12.50	1,070	5988207
	CA*F3743*6D*	A*VC80805C*B*	28,600	21,800	15.50	12.50	980	5988903
	CA*F3743*6D*	A*VC81005C*B*	29,000	22,200	15.50	12.50	1,000	5988910
	CA*F3743*6D*	A*VC950453BXB*	28,600	21,800	15.00	12.50	1,000	5988916
	CA*F3743*6D*	A*VC950704CXB*	28,600	21,800	15.50	12.50	900	5988925
	CA*F3743*6D*	A*VC950714CXB*	28,600	21,800	15.50	12.50	1,000	5988935
	CA*F3743*6D*	A*VC950905CXB*	28,600	21,800	15.50	12.50	900	5988944
	CA*F3743*6D*	A*VC950905DXB*	28,600	21,800	15.50	12.50	1,000	5988953
	CA*F3743*6D*	A*VC950915DXB*	28,600	21,800	15.50	12.50	1,000	5988959
	CA*F3743*6D*	A*VC951155DXB*	28,600	21,800	15.00	12.50	900	5988966
	CA*F3743*6D*	A*VM960603BXB*	28,600	21,800	15.00	12.50	990	5988974
	CA*F3743*6D*	A*VM960604CXB*	28,600	21,800	15.50	12.50	860	5988979
	CA*F3743*6D*	A*VM960805CXB*	28,600	21,800	15.50	12.50	980	5988985
	CA*F3743*6D*	A*VM960805DXB*	28,600	21,800	15.50	12.50	1,000	5988994
	CA*F3743*6D*	A*VM961005DXB*	28,600	21,800	15.50	12.50	900	5989003
	CA*F3743*6D*	A*VM961155DXB*	28,600	21,800	15.50	12.50	1,000	5989012
	CA*F3743*6D*	A*EH800805C*A*	28,600	21,800	14.50	12.00	1,000	6945938
	CA*F3743*6D*	AMEH960403BXA*	28,600	21,800	14.50	12.00	990	6945939
	CA*F3743*6D*	AMEH960805CXA*	28,600	21,800	15.50	12.50	1,070	6945940
	CA*F3743*6D*+EEP+TXV		29,000	22,200	14.50	12.00	1,000	5753103
	CA*F3743*6D*+MBVC1200**-1A*		28,600	21,800	14.50	12.00	910	5990710
	CA*F3743*6D*+MBVC1200**-1A*+TXV		28,600	21,800	15.00	12.50	910	5990711
	CA*F3743*6D*+MBVC1600**-1A*		28,600	21,800	14.50	12.00	945	5988031
	CA*F3743*6D*+MBVC1600**-1A*+TXV		28,600	21,800	15.00	12.50	945	5988032
	CA*F3743*6D*+TXV	A*VC80805C*B*	28,600	21,800	16.00	13.00	980	5753107
	CA*F3743*6D*+TXV	A*VC950704CXB*	28,600	21,800	15.00	12.50	900	5753109
	CA*F3743*6D*+TXV	G*E81005C*B*	28,600	21,800	15.00	12.50	1,000	5988055
	CA*F3743*6D*+TXV	G*VC80805C*B*	28,600	21,800	16.00	13.00	980	5988068
	CA*F3743*6D*+TXV	G*VC81005C*B*	28,600	21,800	16.00	13.00	1,000	5988077
	CA*F3743*6D*+TXV	G*VC950453BXB*	28,600	21,800	15.50	12.50	1,000	5988083
	CA*F3743*6D*+TXV	G*VC950704CXB*	28,600	21,800	15.00	12.50	900	5988092
	CA*F3743*6D*+TXV	G*VC950714CXB*	28,600	21,800	15.50	12.50	1,000	5988103
	CA*F3743*6D*+TXV	G*VC950905CXB*	28,600	21,800	16.00	13.00	900	5988112
	CA*F3743*6D*+TXV	G*VC950905DXB*	28,600	21,800	16.00	13.00	1,000	5988121
CA*F3743*6D*+TXV	G*VC950915DXB*	28,600	21,800	16.00	13.00	1,000	5988127	
CA*F3743*6D*+TXV	G*VC951155DXB*	28,600	21,800	15.50	12.50	900	5988134	
CA*F3743*6D*+TXV	G*VM960805CXB*	28,600	21,800	15.00	12.50	980	5988153	
CA*F3743*6D*+TXV	G*VM960805DXB*	28,600	21,800	15.00	12.50	1,000	5988162	
CA*F3743*6D*+TXV	G*VM961005DXB*	28,600	21,800	16.00	13.00	900	5988171	
CA*F3743*6D*+TXV	G*VM961155DXB*	28,600	21,800	16.00	13.00	1,000	5988180	
CA*F3743*6D*+TXV	GME950403BXA*	28,600	21,800	15.00	12.50	990	5988192	
CA*F3743*6D*+TXV	GME950603BXA*	28,600	21,800	15.00	12.50	1,000	5988200	
CA*F3743*6D*+TXV	A*VC81005C*B*	28,600	21,800	16.00	13.00	1,000	5988911	
CA*F3743*6D*+TXV	A*VC950453BXB*	28,600	21,800	15.50	12.50	1,000	5988917	

See Notes on Page 60.

AHRI RATINGS (CONT.)

OUTDOOR UNIT	INDOOR UNITS		COOLING RATINGS				CFM	AHRI #
	COILS/AIR HANDLERS	FURNACES	TOTAL ¹	SENS. ¹	SEER ²	EER ³		
ASX16 0301F* (cont.)	CA*F3743*6D*+TXV	A*VC950714CXB*	28,600	21,800	15.50	12.50	1,000	5988936
	CA*F3743*6D*+TXV	A*VC950905CXB*	28,600	21,800	16.00	13.00	900	5988945
	CA*F3743*6D*+TXV	A*VC950905DXB*	28,600	21,800	16.00	13.00	1,000	5988954
	CA*F3743*6D*+TXV	A*VC950915DXB*	28,600	21,800	16.00	13.00	1,000	5988960
	CA*F3743*6D*+TXV	A*VC951155DXB*	28,600	21,800	15.50	12.50	900	5988967
	CA*F3743*6D*+TXV	A*VM960805CXB*	28,600	21,800	15.00	12.50	980	5988986
	CA*F3743*6D*+TXV	A*VM960805DXB*	28,600	21,800	15.00	12.50	1,000	5988995
	CA*F3743*6D*+TXV	A*VM961005DXB*	28,600	21,800	16.00	13.00	900	5989004
	CA*F3743*6D*+TXV	A*VM961155DXB*	28,600	21,800	16.00	13.00	1,000	5989013
	CA*F3743*6D*+TXV	GME950805CXA*	29,000	22,200	16.00	13.00	1,050	6090102
	CA*F3743*6D*+TXV	G*E80805C*B*	29,000	22,200	16.00	13.00	1,050	6107827
	CA*F3743*6D*+TXV	A*EH800805C*A*	29,000	22,200	16.00	13.00	1,050	6945941
	CA*F3743*6D*+TXV	A*EH801005C*A*	28,600	21,800	15.00	12.50	1,000	6945942
	CA*F3743*6D*+TXV	AMEH960403BXA*	28,600	21,800	15.00	12.50	990	6945943
	CA*F3743*6D*+TXV	AMEH960603BXA*	28,600	21,800	15.00	12.50	1,000	6945944
	CA*F3743*6D*+TXV	AMEH960805CXA*	29,000	22,200	16.00	13.00	1,050	6945945
	CA*F4860*6D*	G*VC950714CXB*	28,600	21,800	15.50	12.50	1,000	5988104
	CA*F4860*6D*	G*VC950905CXB*	28,600	21,800	15.50	12.50	900	5988113
	CA*F4860*6D*	G*VC950905DXB*	28,600	21,800	15.50	12.50	1,000	5988122
	CA*F4860*6D*	G*VC950915DXB*	28,600	21,800	15.50	12.50	1,000	5988128
	CA*F4860*6D*	G*VC951155DXB*	28,600	21,800	15.50	12.50	900	5988135
	CA*F4860*6D*	G*VM960805CXB*	28,600	21,800	15.00	12.50	980	5988154
	CA*F4860*6D*	G*VM960805DXB*	28,600	21,800	15.50	12.50	1,000	5988163
	CA*F4860*6D*	G*VM961005DXB*	28,600	21,800	15.50	12.50	900	5988172
	CA*F4860*6D*	G*VM961155DXB*	28,600	21,800	15.50	12.50	1,000	5988181
	CA*F4860*6D*	A*VC950714CXB*	28,600	21,800	15.50	12.50	1,000	5988937
	CA*F4860*6D*	A*VC950905CXB*	28,600	21,800	15.50	12.50	900	5988946
	CA*F4860*6D*	A*VC950905DXB*	28,600	21,800	15.50	12.50	1,000	5988955
	CA*F4860*6D*	A*VC950915DXB*	28,600	21,800	15.50	12.50	1,000	5988961
	CA*F4860*6D*	A*VC951155DXB*	28,600	21,800	15.50	12.50	900	5988968
	CA*F4860*6D*	A*VM960805CXB*	28,600	21,800	15.00	12.50	980	5988987
	CA*F4860*6D*	A*VM960805DXB*	28,600	21,800	15.50	12.50	1,000	5988996
	CA*F4860*6D*	A*VM961005DXB*	28,600	21,800	15.50	12.50	900	5989005
	CA*F4860*6D*	A*VM961155DXB*	28,600	21,800	15.50	12.50	1,000	5989014
	CA*F4860*6D*+TXV	G*VC950714CXB*	28,600	21,800	16.00	13.00	1,000	5988105
	CA*F4860*6D*+TXV	G*VC950905CXB*	28,600	21,800	16.00	13.00	900	5988114
	CA*F4860*6D*+TXV	G*VC950905DXB*	28,600	21,800	16.00	13.00	1,000	5988123
	CA*F4860*6D*+TXV	G*VC950915DXB*	28,600	21,800	16.00	13.00	1,000	5988129
	CA*F4860*6D*+TXV	G*VC951155DXB*	28,600	21,800	16.00	13.00	900	5988136
	CA*F4860*6D*+TXV	G*VM960805CXB*	28,600	21,800	15.50	12.50	980	5988155
	CA*F4860*6D*+TXV	G*VM960805DXB*	28,600	21,800	15.00	12.50	1,000	5988164
	CA*F4860*6D*+TXV	G*VM961005DXB*	28,600	21,800	16.00	13.00	900	5988173
	CA*F4860*6D*+TXV	G*VM961155DXB*	28,600	21,800	16.00	13.00	1,000	5988182
	CA*F4860*6D*+TXV	A*VC950714CXB*	28,600	21,800	16.00	13.00	1,000	5988938
	CA*F4860*6D*+TXV	A*VC950905CXB*	28,600	21,800	16.00	13.00	900	5988947
	CA*F4860*6D*+TXV	A*VC950905DXB*	28,600	21,800	16.00	13.00	1,000	5988956
	CA*F4860*6D*+TXV	A*VC950915DXB*	28,600	21,800	16.00	13.00	1,000	5988962
	CA*F4860*6D*+TXV	A*VC951155DXB*	28,600	21,800	16.00	13.00	900	5988969
	CA*F4860*6D*+TXV	A*VM960805CXB*	28,600	21,800	15.50	12.50	980	5988988
	CA*F4860*6D*+TXV	A*VM960805DXB*	28,600	21,800	15.00	12.50	1,000	5988997
CA*F4860*6D*+TXV	A*VM961005DXB*	28,600	21,800	16.00	13.00	900	5989006	
CA*F4860*6D*+TXV	A*VM961155DXB*	28,600	21,800	16.00	13.00	1,000	5989015	
CA*F4860*6D*+TXV	A*VC950704CXB*	28,600	21,800	16.00	13.00	900	6624056	
CA*F4860*6D*+TXV	G*VC950704CXB*	28,600	21,800	16.00	13.00	900	6624057	
CA*F4961*6D*+EEP+TXV		29,400	22,400	15.00	12.50	1,000	5753104	

See Notes on Page 60.

AHRI RATINGS (CONT.)

OUTDOOR UNIT	INDOOR UNITS		COOLING RATINGS				CFM	AHRI #
	COILS/AIR HANDLERS	FURNACES	TOTAL ¹	SENS. ¹	SEER ²	EER ³		
ASX16 0301F* (cont.)	CAPT3743*4A*	G*E80805C*B*	28,600	21,800	15.00	12.50	1,000	5988049
	CAPT3743*4A*	G*E81005C*B*	28,600	21,800	15.00	12.50	1,000	5988056
	CAPT3743*4A*	G*VC80604B*B*	28,600	21,800	15.00	12.50	1,000	5988062
	CAPT3743*4A*	G*VC80805C*B*	28,600	21,800	16.00	13.00	980	5988069
	CAPT3743*4A*	G*VC81005C*B*	28,600	21,800	16.00	13.00	1,000	5988078
	CAPT3743*4A*	G*VC950453BXB*	28,600	21,800	15.50	12.50	1,000	5988084
	CAPT3743*4A*	G*VC950704CXB*	28,600	21,800	15.50	12.50	900	5988093
	CAPT3743*4A*	G*VC950714CXB*	28,600	21,800	15.50	12.50	1,000	5988106
	CAPT3743*4A*	G*VC950905CXB*	28,600	21,800	16.00	13.00	900	5988115
	CAPT3743*4A*	G*VC950905DXB*	28,600	21,800	16.00	13.00	1,000	5988124
	CAPT3743*4A*	G*VC950915DXB*	28,600	21,800	15.50	12.50	1,000	5988130
	CAPT3743*4A*	G*VC951155DXB*	28,600	21,800	16.00	13.00	900	5988137
	CAPT3743*4A*	G*VM960603BXB*	28,600	21,800	15.00	12.50	990	5988142
	CAPT3743*4A*	G*VM960604CXB*	28,600	21,800	15.00	12.50	860	5988147
	CAPT3743*4A*	G*VM960805CXB*	28,600	21,800	15.50	12.50	980	5988156
	CAPT3743*4A*	G*VM960805DXB*	28,600	21,800	15.50	12.50	1,000	5988165
	CAPT3743*4A*	G*VM961005DXB*	28,600	21,800	16.00	13.00	900	5988174
	CAPT3743*4A*	G*VM961155DXB*	28,600	21,800	15.50	12.50	1,000	5988183
	CAPT3743*4A*	GME950403BXA*	28,600	21,800	15.00	12.50	990	5988193
	CAPT3743*4A*	GME950603BXA*	28,600	21,800	15.00	12.50	1,000	5988201
	CAPT3743*4A*	A*VC80604B*B*	28,600	21,800	15.00	12.50	1,000	5988898
	CAPT3743*4A*	A*VC80805C*B*	28,600	21,800	16.00	13.00	980	5988904
	CAPT3743*4A*	A*VC81005C*B*	28,600	21,800	16.00	13.00	1,000	5988912
	CAPT3743*4A*	A*VC950453BXB*	28,600	21,800	15.50	12.50	1,000	5988918
	CAPT3743*4A*	A*VC950704CXB*	28,600	21,800	15.50	12.50	900	5988926
	CAPT3743*4A*	A*VC950714CXB*	28,600	21,800	15.50	12.50	1,000	5988939
	CAPT3743*4A*	A*VC950905CXB*	28,600	21,800	16.00	13.00	900	5988948
	CAPT3743*4A*	A*VC950905DXB*	28,600	21,800	16.00	13.00	1,000	5988957
	CAPT3743*4A*	A*VC950915DXB*	28,600	21,800	15.50	12.50	1,000	5988963
	CAPT3743*4A*	A*VC951155DXB*	28,600	21,800	16.00	13.00	900	5988970
	CAPT3743*4A*	A*VM960603BXB*	28,600	21,800	15.00	12.50	990	5988975
	CAPT3743*4A*	A*VM960604CXB*	28,600	21,800	15.00	12.50	860	5988980
	CAPT3743*4A*	A*VM960805CXB*	28,600	21,800	15.50	12.50	980	5988989
	CAPT3743*4A*	A*VM960805DXB*	28,600	21,800	15.50	12.50	1,000	5988998
	CAPT3743*4A*	A*VM961005DXB*	28,600	21,800	16.00	13.00	900	5989007
	CAPT3743*4A*	A*VM961155DXB*	28,600	21,800	15.50	12.50	1,000	5989016
	CAPT3743*4A*	G*E80603B*B*	28,600	21,800	15.00	12.50	1,050	6494010
	CAPT3743*4A*	ADVC80603B*B*	28,600	21,800	15.00	12.50	1,000	6494011
	CAPT3743*4A*	ADVC80805C*B*	28,600	21,800	15.00	12.50	1,000	6494012
	CAPT3743*4A*	ADVC81005C*B*	28,600	21,800	15.00	12.50	1,000	6494013
	CAPT3743*4A*	A*EH800603B*A*	28,600	21,800	15.00	12.50	1,050	6945946
	CAPT3743*4A*	A*EH800805C*A*	28,600	21,800	15.00	12.50	1,000	6945947
	CAPT3743*4A*	A*EH801005C*A*	28,600	21,800	15.00	12.50	1,000	6945948
	CAPT3743*4A*	AMEH960403BXA*	28,600	21,800	15.00	12.50	990	6945949
	CAPT3743*4A*	AMEH960603BXA*	28,600	21,800	15.00	12.50	1,000	6945950
	CAPT3743*4A*+EEP		28,600	21,800	14.50	12.00	1,000	5988033
	CAPT3743*4A*+MBVC1200**-1A*		28,600	21,800	15.00	12.50	910	5988034
	CAPT3743*4A*+MBVC1600**-1A*		28,600	21,800	15.00	12.50	945	5988035
	CHPF3636B6C*	G*VC950453BXB*	28,400	21,600	15.00	12.50	1,000	5988085
	CHPF3636B6C*	G*VM960603BXB*	28,400	21,600	15.00	12.50	990	5988143
CHPF3636B6C*	GME950403BXA*	28,400	21,600	15.00	12.50	990	5988194	
CHPF3636B6C*	A*VC950453BXB*	28,400	21,600	15.00	12.50	1,000	5988919	
CHPF3636B6C*	A*VM960603BXB*	28,400	21,600	15.00	12.50	990	5988976	
CHPF3636B6C*	AMEH960403BXA*	28,400	21,600	15.00	12.50	990	6945951	
CHPF3636B6C*+EEP		28,400	21,600	14.00	12.00	1,000	5988036	

See Notes on Page 60.

AHRI RATINGS (CONT.)

OUTDOOR UNIT	INDOOR UNITS		COOLING RATINGS				CFM	AHRI #
	COILS/AIR HANDLERS	FURNACES	TOTAL ¹	SENS. ¹	SEER ²	EER ³		
ASX16 0301F* (cont.)	CHPF3636B6C*+MBVC1200**-1A*		28,400	21,600	15.00	12.50	910	5988037
	CHPF3636B6C*+MBVC1200**-1A*+TXV		28,400	21,600	15.50	12.50	910	5988038
	CHPF3636B6C*+TXV	G*VC950453BXB*	28,400	21,600	15.00	12.50	1,000	5988086
	CHPF3636B6C*+TXV	GME950403BXA*	28,400	21,600	15.50	12.50	990	5988195
	CHPF3636B6C*+TXV	A*VC950453BXB*	28,400	21,600	15.00	12.50	1,000	5988920
	CHPF3636B6C*+TXV	AMEH960403BXA*	28,400	21,600	15.50	12.50	990	6945952
	CHPF3642C6C*	G*E80805C*B*	28,400	21,600	14.50	12.00	1,000	5988050
	CHPF3642C6C*	G*E81005C*B*	28,400	21,600	14.50	12.00	1,000	5988057
	CHPF3642C6C*	G*VC80604B*B*	28,400	21,600	15.00	12.50	1,000	5988063
	CHPF3642C6C*	G*VC80805C*B*	28,400	21,600	15.00	12.50	980	5988070
	CHPF3642C6C*	G*VC81005C*B*	28,400	21,600	15.00	12.50	1,000	5988079
	CHPF3642C6C*	G*VC950704CXB*	28,400	21,600	15.00	12.50	900	5988094
	CHPF3642C6C*	G*VM960604CXB*	28,400	21,600	15.00	12.50	860	5988148
	CHPF3642C6C*	GME950603BXA*	28,400	21,600	14.50	12.00	1,000	5988202
	CHPF3642C6C*	A*VC80604B*B*	28,400	21,600	15.00	12.50	1,000	5988899
	CHPF3642C6C*	A*VC80805C*B*	28,400	21,600	15.00	12.50	980	5988905
	CHPF3642C6C*	A*VC81005C*B*	28,400	21,600	15.00	12.50	1,000	5988913
	CHPF3642C6C*	A*VC950704CXB*	28,400	21,600	15.00	12.50	900	5988927
	CHPF3642C6C*	A*VM960604CXB*	28,400	21,600	15.00	12.50	860	5988981
	CHPF3642C6C*	A*EH800805C*A*	28,400	21,600	14.50	12.00	1,000	6945953
	CHPF3642C6C*	A*EH801005C*A*	28,400	21,600	14.50	12.00	1,000	6945954
	CHPF3642C6C*	AMEH960603BXA*	28,400	21,600	14.50	12.00	1,000	6945955
	CHPF3642C6C*+EEP		28,400	21,600	14.00	12.00	1,000	5988039
	CHPF3642C6C*+EEP+TXV		28,400	21,600	14.50	12.00	1,000	5988040
	CHPF3642C6C*+TXV	G*E80805C*B*	28,400	21,600	15.00	12.50	1,000	5988051
	CHPF3642C6C*+TXV	G*E81005C*B*	28,400	21,600	15.00	12.50	1,000	5988058
	CHPF3642C6C*+TXV	G*VC80604B*B*	28,400	21,600	15.50	12.50	1,000	5988064
	CHPF3642C6C*+TXV	G*VC80805C*B*	28,400	21,600	15.50	12.50	980	5988071
	CHPF3642C6C*+TXV	G*VC81005C*B*	28,400	21,600	15.50	12.50	1,000	5988080
	CHPF3642C6C*+TXV	G*VC950704CXB*	28,400	21,600	15.00	12.50	900	5988095
	CHPF3642C6C*+TXV	GME950603BXA*	28,400	21,600	15.00	12.50	1,000	5988203
	CHPF3642C6C*+TXV	A*VC80604B*B*	28,400	21,600	15.50	12.50	1,000	5988900
	CHPF3642C6C*+TXV	A*VC80805C*B*	28,400	21,600	15.50	12.50	980	5988906
	CHPF3642C6C*+TXV	A*VC81005C*B*	28,400	21,600	15.50	12.50	1,000	5988914
	CHPF3642C6C*+TXV	A*VC950704CXB*	28,400	21,600	15.00	12.50	900	5988928
	CHPF3642C6C*+TXV	A*EH800805C*A*	28,400	21,600	15.00	12.50	1,000	6945956
	CHPF3642C6C*+TXV	A*EH801005C*A*	28,400	21,600	15.00	12.50	1,000	6945957
	CHPF3642C6C*+TXV	AMEH960603BXA*	28,400	21,600	15.00	12.50	1,000	6945958
	CHPF3642D6C*	G*VC950704CXB*	28,400	21,600	15.00	12.50	900	5988096
	CHPF3642D6C*	G*VM960604CXB*	28,400	21,600	15.00	12.50	860	5988149
	CHPF3642D6C*	A*VC950704CXB*	28,400	21,600	15.00	12.50	900	5988929
	CHPF3642D6C*	A*VM960604CXB*	28,400	21,600	15.00	12.50	860	5988982
	CHPF3642D6C*+EEP		28,400	21,600	14.00	12.00	1,000	5988041
	CHPF3642D6C*+TXV	G*E80805C*B*	28,400	21,600	15.00	12.50	1,000	5988052
	CHPF3642D6C*+TXV	G*E81005C*B*	28,400	21,600	15.00	12.50	1,000	5988059
	CHPF3642D6C*+TXV	G*VC950704CXB*	28,400	21,600	15.00	12.50	900	5988097
	CHPF3642D6C*+TXV	GME950603BXA*	28,400	21,600	15.00	12.50	1,000	5988204
CHPF3642D6C*+TXV	A*VC950704CXB*	28,400	21,600	15.00	12.50	900	5988930	
CHPF3642D6C*+TXV	A*EH800805C*A*	28,400	21,600	15.00	12.50	1,000	6945959	
CHPF3642D6C*+TXV	A*EH801005C*A*	28,400	21,600	15.00	12.50	1,000	6945960	
CHPF3642D6C*+TXV	AMEH960603BXA*	28,400	21,600	15.00	12.50	1,000	6945961	
CHPF3743C6B*	G*E80805C*B*	28,600	21,800	15.50	12.50	1,000	5988053	
CHPF3743C6B*	G*VC80805C*B*	28,600	21,800	15.50	12.50	980	5988072	
CHPF3743C6B*	G*VC950905CXB*	28,600	21,800	15.50	12.50	900	5988116	

See Notes on Page 60.

AHRI RATINGS (CONT.)

OUTDOOR UNIT	INDOOR UNITS		COOLING RATINGS				CFM	AHRI #
	COILS/AIR HANDLERS	FURNACES	TOTAL ¹	SENS. ¹	SEER ²	EER ³		
ASX16 0301F* (cont.)	CHPF3743C6B*	G*VM960805CXB*	28,600	21,800	15.00	12.50	980	5988157
	CHPF3743C6B*	GME950603BXA*	28,600	21,800	14.50	12.00	1,000	5988205
	CHPF3743C6B*	GME950805CXA*	28,600	21,800	15.50	12.50	1,070	5988208
	CHPF3743C6B*	A*VC80805C*B*	28,600	21,800	15.50	12.50	980	5988907
	CHPF3743C6B*	A*VC950905CXB*	28,600	21,800	15.50	12.50	900	5988949
	CHPF3743C6B*	A*VM960805CXB*	28,600	21,800	15.00	12.50	980	5988990
	CHPF3743C6B*	A*EH800805C*A*	28,600	21,800	15.50	12.50	1,000	6945962
	CHPF3743C6B*	AMEH960603BXA*	28,600	21,800	14.50	12.00	1,000	6945963
	CHPF3743C6B*	AMEH960805CXA*	28,600	21,800	15.50	12.50	1,070	6945964
	CHPF3743C6B*+EEP+TXV		29,000	22,200	14.50	12.00	1,000	5753105
	CHPF3743C6B*+MBVC1600**-1A*		28,600	21,800	15.50	12.50	945	5988042
	CHPF3743C6B*+MBVC1600**-1A*+TXV		28,600	21,800	16.00	13.00	945	5988043
	CHPF3743C6B*+TXV	A*VC80805C*B*	28,600	21,800	16.00	13.00	980	5753108
	CHPF3743C6B*+TXV	A*VC950704CXB*	28,000	21,400	16.00	13.00	900	5753110
	CHPF3743C6B*+TXV	G*VC80805C*B*	28,600	21,800	16.00	13.00	980	5988073
	CHPF3743C6B*+TXV	G*VC950905CXB*	28,600	21,800	16.00	13.00	900	5988117
	CHPF3743C6B*+TXV	G*VM960805CXB*	28,600	21,800	15.50	12.50	980	5988158
	CHPF3743C6B*+TXV	GME950603BXA*	28,600	21,800	15.00	12.50	1,000	5988206
	CHPF3743C6B*+TXV	A*VC950905CXB*	28,600	21,800	16.00	13.00	900	5988950
	CHPF3743C6B*+TXV	A*VM960805CXB*	28,600	21,800	15.50	12.50	980	5988991
	CHPF3743C6B*+TXV	GME950805CXA*	29,000	22,200	16.00	13.00	1,050	6090104
	CHPF3743C6B*+TXV	G*E80805C*B*	29,000	22,200	16.00	13.00	1,050	6107828
	CHPF3743C6B*+TXV	G*VC950704CXB*	28,000	21,400	16.00	13.00	900	6107836
	CHPF3743C6B*+TXV	A*EH800805C*A*	29,000	22,200	16.00	13.00	1,050	6945965
	CHPF3743C6B*+TXV	AMEH960603BXA*	28,600	21,800	15.00	12.50	1,000	6945966
	CHPF3743C6B*+TXV	AMEH960805CXA*	29,000	22,200	16.00	13.00	1,050	6945967
	CHPF3743D6B*	G*VC950905CXB*	28,600	21,800	15.50	12.50	900	5988107
	CHPF3743D6B*	G*VC951155DXB*	28,600	21,800	15.50	12.50	900	5988138
	CHPF3743D6B*	G*VM960805DXB*	28,600	21,800	15.00	12.50	1,000	5988166
	CHPF3743D6B*	G*VM961005DXB*	28,600	21,800	15.50	12.50	900	5988175
	CHPF3743D6B*	G*VM961155DXB*	28,600	21,800	15.50	12.50	1,000	5988184
	CHPF3743D6B*	A*VC950905CXB*	28,600	21,800	15.50	12.50	900	5988940
	CHPF3743D6B*	A*VC951155DXB*	28,600	21,800	15.50	12.50	900	5988971
	CHPF3743D6B*	A*VM960805DXB*	28,600	21,800	15.00	12.50	1,000	5988999
	CHPF3743D6B*	A*VM961005DXB*	28,600	21,800	15.50	12.50	900	5989008
	CHPF3743D6B*	A*VM961155DXB*	28,600	21,800	15.50	12.50	1,000	5989017
	CHPF3743D6B*+TXV	G*VC950905CXB*	28,600	21,800	16.00	13.00	900	5988108
	CHPF3743D6B*+TXV	G*VC951155DXB*	28,600	21,800	16.00	13.00	900	5988139
	CHPF3743D6B*+TXV	G*VM960805DXB*	28,600	21,800	15.50	12.50	1,000	5988167
	CHPF3743D6B*+TXV	G*VM961005DXB*	28,600	21,800	16.00	13.00	900	5988176
	CHPF3743D6B*+TXV	G*VM961155DXB*	28,600	21,800	16.00	13.00	1,000	5988185
	CHPF3743D6B*+TXV	A*VC950905CXB*	28,600	21,800	16.00	13.00	900	5988941
	CHPF3743D6B*+TXV	A*VC951155DXB*	28,600	21,800	16.00	13.00	900	5988972
	CHPF3743D6B*+TXV	A*VM960805DXB*	28,600	21,800	15.50	12.50	1,000	5989000
	CHPF3743D6B*+TXV	A*VM961005DXB*	28,600	21,800	16.00	13.00	900	5989009
CHPF3743D6B*+TXV	A*VM961155DXB*	28,600	21,800	16.00	13.00	1,000	5989018	
CHPF4860D6D*+EEP+TXV		29,400	22,400	15.00	12.50	900	5753106	
CSCF3642N6D*	G*VC950704CXB*	28,800	22,000	15.00	12.50	900	5988098	
CSCF3642N6D*	A*VC950704CXB*	28,800	22,000	15.00	12.50	900	5988931	
CSCF3642N6D*+EEP		28,800	22,000	14.00	12.00	1,000	5988044	
CSCF3642N6D*+EEP+TXV		28,800	22,000	14.50	12.00	1,000	5988045	
CSCF3642N6D*+TXV	G*VC950704CXB*	28,400	21,600	15.00	12.50	900	5988099	
CSCF3642N6D*+TXV	A*VC950704CXB*	28,400	21,600	15.00	12.50	900	5988932	

See Notes on Page 60.

AHRI RATINGS (CONT.)

OUTDOOR UNIT	INDOOR UNITS		COOLING RATINGS				CFM	AHRI #
	COILS/AIR HANDLERS	FURNACES	TOTAL ¹	SENS. ¹	SEER ²	EER ³		
ASX16 0361F*	ARPT36D14A*		34,000	26,400	14.50	12.00	1,150	5988209
	ARPT42D14A*		35,000	27,200	14.50	12.00	1,175	5988210
	ARPT48D14A*		35,000	27,200	14.50	12.00	1,250	5988211
	ARUF48D14A*		35,000	27,200	14.00	12.00	1,175	5988212
	ARUF48D14A*+TXV		34,400	26,800	14.50	12.00	1,175	5988213
	ASPT36C14A*		34,200	26,600	14.50	12.00	1,200	5988214
	ASPT42C14A*		34,400	26,800	14.50	12.00	1,175	7041746
	ASPT42D14A*		35,000	27,200	16.00	13.00	1,175	5756183
	ASUF39C14A*		34,200	26,600	14.00	12.00	1,000	5988215
	ASUF39C14A*+TXV		34,200	26,600	14.50	12.00	1,000	5988216
	AVPTC42D14A*		35,000	27,200	16.00	13.00	1,220	5924385
	AVPTC48C14A*		34,400	26,800	14.50	12.00	1,000	7041747
	AWUF37XX16B*		34,000	26,400	14.00	12.00	1,150	5753226
	AWUF37XX16B*+TXV		33,000	25,600	14.50	12.00	1,000	5753122
	CA*F3636*6D*	GME950603BXA*	33,600	26,200	14.00	12.00	1,165	5988371
	CA*F3636*6D*	GME950805CXA*	33,600	26,200	14.50	12.00	1,110	5988378
	CA*F3636*6D*	AMEH960603BXA*	33,600	26,200	14.00	12.00	1,165	6945968
	CA*F3636*6D*	AMEH960805CXA*	33,600	26,200	14.50	12.00	1,110	6945969
	CA*F3636*6D*+EEP+TXV		33,600	26,200	14.00	11.80	1,200	5988217
	CA*F3636*6D*+TXV	GME950603BXA*	33,600	26,200	14.50	12.00	1,165	5988372
	CA*F3636*6D*+TXV	GME950805CXA*	33,600	26,200	15.00	12.50	1,110	5988379
	CA*F3636*6D*+TXV	AMEH960603BXA*	33,600	26,200	14.50	12.00	1,165	6945970
	CA*F3636*6D*+TXV	AMEH960805CXA*	33,600	26,200	15.00	12.50	1,110	6945971
	CA*F3642*6D*	G*VC950704CXB*	34,000	26,400	14.50	12.00	1,120	5988281
	CA*F3642*6D*	G*VC950905CXB*	34,000	26,400	15.00	12.50	1,175	5988295
	CA*F3642*6D*	G*VM960805CXB*	34,000	26,400	14.50	12.00	1,175	5988335
	CA*F3642*6D*	GME950603BXA*	34,000	26,400	13.50	11.50	1,165	5988373
	CA*F3642*6D*	GME950805CXA*	34,000	26,400	14.50	12.00	1,110	5988380
	CA*F3642*6D*	A*VC950704CXB*	34,000	26,400	14.50	12.00	1,120	5989034
	CA*F3642*6D*	A*VC950905CXB*	34,000	26,400	15.00	12.50	1,175	5989047
	CA*F3642*6D*	A*VM960805CXB*	34,000	26,400	14.50	12.00	1,175	5989087
	CA*F3642*6D*	AMEH960603BXA*	34,000	26,400	13.50	11.50	1,165	6945972
	CA*F3642*6D*	AMEH960805CXA*	34,000	26,400	14.50	12.00	1,110	6945973
	CA*F3642*6D*+EEP		34,000	26,400	14.00	12.00	1,200	5988218
	CA*F3642*6D*+MBVC2000**-1A*		34,000	26,400	15.00	12.50	1,120	5990712
	CA*F3642*6D*+TXV	G*VC950704CXB*	34,000	26,400	14.50	12.00	1,120	5988282
	CA*F3642*6D*+TXV	G*VC950905CXB*	34,000	26,400	15.00	12.50	1,175	5988296
	CA*F3642*6D*+TXV	G*VM960805CXB*	34,000	26,400	15.00	12.50	1,175	5988336
	CA*F3642*6D*+TXV	GME950805CXA*	34,000	26,400	15.00	12.50	1,110	5988381
	CA*F3642*6D*+TXV	A*VC950704CXB*	34,000	26,400	14.50	12.00	1,120	5989035
	CA*F3642*6D*+TXV	A*VC950905CXB*	34,000	26,400	15.00	12.50	1,175	5989048
	CA*F3642*6D*+TXV	A*VM960805CXB*	34,000	26,400	15.00	12.50	1,175	5989088
	CA*F3642*6D*+TXV	AMEH960805CXA*	34,000	26,400	15.00	12.50	1,110	6945974
	CA*F3743*6D*	G*E80603B*B*	34,600	27,000	14.50	12.00	1,150	5988248
	CA*F3743*6D*	G*E80805C*B*	34,600	27,000	14.50	12.00	1,180	5988252
	CA*F3743*6D*	G*VC80805C*B*	34,600	27,000	15.50	12.50	1,180	5988265
	CA*F3743*6D*	G*VC81005C*B*	34,600	27,000	15.50	12.50	1,200	5988273
	CA*F3743*6D*	G*VC950704CXB*	34,600	27,000	14.50	12.00	1,120	5988283
	CA*F3743*6D*	G*VC950905CXB*	34,600	27,000	15.00	12.50	1,175	5988297
	CA*F3743*6D*	G*VC950905DXB*	34,600	27,000	14.50	12.00	1,145	5988305
CA*F3743*6D*	G*VC951155DXB*	34,600	27,000	14.50	12.00	1,190	5988320	
CA*F3743*6D*	G*VM960604CXB*	34,600	27,000	14.50	12.00	1,140	5988330	
CA*F3743*6D*	G*VM960805CXB*	34,600	27,000	14.50	12.00	1,175	5988337	
CA*F3743*6D*	G*VM960805DXB*	34,600	27,000	14.50	12.00	1,205	5988344	
CA*F3743*6D*	G*VM961005DXB*	34,600	27,000	14.50	12.00	1,085	5988351	
CA*F3743*6D*	G*VM961155DXB*	34,600	27,000	14.50	12.00	1,085	5988359	

See Notes on Page 60.

AHRI RATINGS (CONT.)

OUTDOOR UNIT	INDOOR UNITS		COOLING RATINGS				CFM	AHRI #	
	COILS/AIR HANDLERS	FURNACES	TOTAL ¹	SENS. ¹	SEER ²	EER ³			
ASX16 0361F* (cont.)	CA*F3743*6D*	GME950805CXA*	34,600	27,000	14.50	12.00	1,110	5988382	
	CA*F3743*6D*	GME951005DXA*	34,600	27,000	15.00	12.50	1,050	5988389	
	CA*F3743*6D*	A*VC80805C*B*	34,600	27,000	15.50	12.50	1,180	5989020	
	CA*F3743*6D*	A*VC81005C*B*	34,600	27,000	15.50	12.50	1,200	5989026	
	CA*F3743*6D*	A*VC950704CXB*	34,600	27,000	14.50	12.00	1,120	5989036	
	CA*F3743*6D*	A*VC950905CXB*	34,600	27,000	15.00	12.50	1,175	5989049	
	CA*F3743*6D*	A*VC950905DXB*	34,600	27,000	14.50	12.00	1,145	5989057	
	CA*F3743*6D*	A*VC951155DXB*	34,600	27,000	14.50	12.00	1,190	5989072	
	CA*F3743*6D*	A*VM960604CXB*	34,600	27,000	14.50	12.00	1,140	5989082	
	CA*F3743*6D*	A*VM960805CXB*	34,600	27,000	14.50	12.00	1,175	5989089	
	CA*F3743*6D*	A*VM960805DXB*	34,600	27,000	14.50	12.00	1,205	5989096	
	CA*F3743*6D*	A*VM961005DXB*	34,600	27,000	14.50	12.00	1,085	5989103	
	CA*F3743*6D*	A*VM961155DXB*	34,600	27,000	14.50	12.00	1,085	5989111	
	CA*F3743*6D*	A*EH800603B*A*	34,600	27,000	14.50	12.00	1,150	6945975	
	CA*F3743*6D*	A*EH800805C*A*	34,600	27,000	14.50	12.00	1,180	6945976	
	CA*F3743*6D*	AMEH960805CXA*	34,600	27,000	14.50	12.00	1,110	6945977	
	CA*F3743*6D*	AMEH961005DXA*	34,600	27,000	15.00	12.50	1,050	6945978	
	CA*F3743*6D*+EEP			34,600	27,000	14.00	12.00	1,200	5988219
	CA*F3743*6D*+EEP+TXV			34,600	27,000	14.50	12.00	1,200	5988220
	CA*F3743*6D*+MBVC1600**-1A*			34,600	27,000	15.00	12.50	1,200	5988221
	CA*F3743*6D*+MBVC1600**-1A*+TXV			34,600	27,000	15.50	12.50	1,200	5988222
	CA*F3743*6D*+MBVC2000**-1A*			34,600	27,000	15.00	12.50	1,120	5990713
	CA*F3743*6D*+MBVC2000**-1A*+TXV			34,600	27,000	15.50	12.50	1,120	5988223
	CA*F3743*6D*+TXV	G*E80603B*B*		34,600	27,000	15.00	12.50	1,150	5988249
	CA*F3743*6D*+TXV	G*E80805C*B*		34,600	27,000	15.00	12.50	1,180	5988253
	CA*F3743*6D*+TXV	G*VC80805C*B*		34,600	27,000	15.00	12.50	1,180	5988266
	CA*F3743*6D*+TXV	G*VC81005C*B*		34,600	27,000	15.00	12.50	1,200	5988274
	CA*F3743*6D*+TXV	G*VC950704CXB*		34,600	27,000	15.00	12.50	1,120	5988284
	CA*F3743*6D*+TXV	G*VC950905CXB*		34,600	27,000	15.00	12.50	1,175	5988298
	CA*F3743*6D*+TXV	G*VC950905DXB*		34,600	27,000	15.00	12.50	1,145	5988306
	CA*F3743*6D*+TXV	G*VC950915DXB*		34,600	27,000	15.00	12.50	1,205	5988314
	CA*F3743*6D*+TXV	G*VC951155DXB*		34,600	27,000	15.00	12.50	1,190	5988321
	CA*F3743*6D*+TXV	G*VM960604CXB*		34,600	27,000	15.00	12.50	1,140	5988331
	CA*F3743*6D*+TXV	G*VM960805CXB*		34,600	27,000	15.00	12.50	1,175	5988338
	CA*F3743*6D*+TXV	G*VM960805DXB*		34,600	27,000	15.00	12.50	1,205	5988345
	CA*F3743*6D*+TXV	G*VM961005DXB*		34,600	27,000	15.00	12.50	1,085	5988352
	CA*F3743*6D*+TXV	G*VM961155DXB*		34,600	27,000	15.00	12.50	1,085	5988360
	CA*F3743*6D*+TXV	GME950805CXA*		34,600	27,000	15.00	12.50	1,110	5988383
	CA*F3743*6D*+TXV	GME951005DXA*		34,600	27,000	15.50	12.50	1,050	5988390
	CA*F3743*6D*+TXV	A*VC80805C*B*		34,600	27,000	15.00	12.50	1,180	5989021
	CA*F3743*6D*+TXV	A*VC81005C*B*		34,600	27,000	15.00	12.50	1,200	5989027
	CA*F3743*6D*+TXV	A*VC950704CXB*		34,600	27,000	15.00	12.50	1,120	5989037
	CA*F3743*6D*+TXV	A*VC950905CXB*		34,600	27,000	15.00	12.50	1,175	5989050
	CA*F3743*6D*+TXV	A*VC950905DXB*		34,600	27,000	15.00	12.50	1,145	5989058
	CA*F3743*6D*+TXV	A*VC950915DXB*		34,600	27,000	15.00	12.50	1,205	5989066
	CA*F3743*6D*+TXV	A*VC951155DXB*		34,600	27,000	15.00	12.50	1,190	5989073
	CA*F3743*6D*+TXV	A*VM960604CXB*		34,600	27,000	15.00	12.50	1,140	5989083
	CA*F3743*6D*+TXV	A*VM960805CXB*		34,600	27,000	15.00	12.50	1,175	5989090
	CA*F3743*6D*+TXV	A*VM960805DXB*		34,600	27,000	15.00	12.50	1,205	5989097
	CA*F3743*6D*+TXV	A*VM961005DXB*		34,600	27,000	15.00	12.50	1,085	5989104
CA*F3743*6D*+TXV	A*VM961155DXB*		34,600	27,000	15.00	12.50	1,085	5989112	
CA*F3743*6D*+TXV	A*EH800603B*A*		34,600	27,000	15.00	12.50	1,150	6945979	
CA*F3743*6D*+TXV	A*EH800805C*A*		34,600	27,000	15.00	12.50	1,180	6945980	
CA*F3743*6D*+TXV	AMEH960805CXA*		34,600	27,000	15.00	12.50	1,110	6945981	
CA*F3743*6D*+TXV	AMEH961005DXA*		34,600	27,000	15.50	12.50	1,050	6945982	
CA*F4860*6D*	G*E80805C*B*		34,600	27,000	15.50	12.50	1,180	5988254	

See Notes on Page 60.

AHRI RATINGS (CONT.)

OUTDOOR UNIT	INDOOR UNITS		COOLING RATINGS				CFM	AHRI #
	COILS/AIR HANDLERS	FURNACES	TOTAL ¹	SENS. ¹	SEER ²	EER ³		
ASX16 0361F* (cont.)	CA*F4860*6D*	G*E81005C*B*	34,600	27,000	15.50	12.50	1,200	5988260
	CA*F4860*6D*	G*VC80805C*B*	34,600	27,000	15.00	12.50	1,180	5988267
	CA*F4860*6D*	G*VC81005C*B*	34,600	27,000	15.00	12.50	1,200	5988275
	CA*F4860*6D*	G*VC950704CXB*	34,600	27,000	15.00	12.50	1,120	5988285
	CA*F4860*6D*	G*VC950714CXB*	34,600	27,000	15.00	12.50	1,125	5988291
	CA*F4860*6D*	G*VC950905CXB*	34,600	27,000	15.50	12.50	1,175	5988299
	CA*F4860*6D*	G*VC950905DXB*	34,600	27,000	15.50	12.50	1,145	5988307
	CA*F4860*6D*	G*VC950915DXB*	34,600	27,000	15.50	12.50	1,205	5988315
	CA*F4860*6D*	G*VC951155DXB*	34,600	27,000	15.50	12.50	1,190	5988322
	CA*F4860*6D*	G*VM960604CXB*	34,600	27,000	14.50	12.00	1,140	5988332
	CA*F4860*6D*	G*VM960805CXB*	34,600	27,000	15.00	12.50	1,175	5988339
	CA*F4860*6D*	G*VM960805DXB*	34,600	27,000	15.50	12.50	1,205	5988346
	CA*F4860*6D*	G*VM961005DXB*	34,600	27,000	14.50	12.00	1,085	5988353
	CA*F4860*6D*	G*VM961155DXB*	34,600	27,000	15.00	12.50	1,085	5988361
	CA*F4860*6D*	ADVC80805C*B*	34,600	27,000	15.00	12.50	1,200	5988367
	CA*F4860*6D*	ADVC81005C*B*	34,600	27,000	15.00	12.50	1,115	5988369
	CA*F4860*6D*	GME950603BXA*	34,600	27,000	14.00	11.50	1,165	5988374
	CA*F4860*6D*	GME950805CXA*	34,600	27,000	15.50	12.50	1,110	5988384
	CA*F4860*6D*	GME951005DXA*	34,600	27,000	15.50	12.50	1,050	5988391
	CA*F4860*6D*	A*VC80805C*B*	34,600	27,000	15.00	12.50	1,180	5989022
	CA*F4860*6D*	A*VC81005C*B*	34,600	27,000	15.00	12.50	1,200	5989028
	CA*F4860*6D*	A*VC950704CXB*	34,600	27,000	15.00	12.50	1,120	5989038
	CA*F4860*6D*	A*VC950714CXB*	34,600	27,000	15.00	12.50	1,125	5989043
	CA*F4860*6D*	A*VC950905CXB*	34,600	27,000	15.50	12.50	1,175	5989051
	CA*F4860*6D*	A*VC950905DXB*	34,600	27,000	15.50	12.50	1,145	5989059
	CA*F4860*6D*	A*VC950915DXB*	34,600	27,000	15.50	12.50	1,205	5989067
	CA*F4860*6D*	A*VC951155DXB*	34,600	27,000	15.50	12.50	1,190	5989074
	CA*F4860*6D*	A*VM960604CXB*	34,600	27,000	14.50	12.00	1,140	5989084
	CA*F4860*6D*	A*VM960805CXB*	34,600	27,000	15.00	12.50	1,175	5989091
	CA*F4860*6D*	A*VM960805DXB*	34,600	27,000	15.50	12.50	1,205	5989098
	CA*F4860*6D*	A*VM961005DXB*	34,600	27,000	14.50	12.00	1,085	5989105
	CA*F4860*6D*	A*VM961155DXB*	34,600	27,000	15.00	12.50	1,085	5989113
	CA*F4860*6D*	A*EH800805C*A*	34,600	27,000	15.50	12.50	1,180	6945983
	CA*F4860*6D*	A*EH801005C*A*	34,600	27,000	15.50	12.50	1,200	6945984
	CA*F4860*6D*	AMEH960603BXA*	34,600	27,000	14.00	11.50	1,165	6945985
	CA*F4860*6D*	AMEH960805CXA*	34,600	27,000	15.50	12.50	1,110	6945986
	CA*F4860*6D*	AMEH961005DXA*	34,600	27,000	15.50	12.50	1,050	6945987
	CA*F4860*6D*+EEP		34,600	27,000	14.00	12.00	1,200	5988224
	CA*F4860*6D*+EEP+TXV		34,800	27,000	14.50	12.00	1,200	5753114
	CA*F4860*6D*+MBVC2000**-1A*		34,600	27,000	15.50	12.50	1,120	5988225
	CA*F4860*6D*+MBVC2000**-1A*+TXV		34,600	27,000	16.00	13.00	1,120	5988226
	CA*F4860*6D*+TXV	A*VC80805C*B*	34,600	27,000	15.50	12.50	1,180	5753118
	CA*F4860*6D*+TXV	A*VC950704CXB*	34,600	27,000	15.50	12.50	1,120	5753120
	CA*F4860*6D*+TXV	G*E81005C*B*	34,600	27,000	15.50	12.50	1,200	5988261
	CA*F4860*6D*+TXV	G*VC80805C*B*	34,600	27,000	15.50	12.50	1,180	5988268
CA*F4860*6D*+TXV	G*VC81005C*B*	34,600	27,000	15.50	12.50	1,200	5988276	
CA*F4860*6D*+TXV	G*VC950704CXB*	34,600	27,000	15.50	12.50	1,120	5988286	
CA*F4860*6D*+TXV	G*VC950714CXB*	34,600	27,000	15.00	12.50	1,125	5988292	
CA*F4860*6D*+TXV	G*VC950905CXB*	34,600	27,000	15.50	12.50	1,175	5988300	
CA*F4860*6D*+TXV	G*VC950905DXB*	34,600	27,000	15.00	12.50	1,145	5988308	
CA*F4860*6D*+TXV	G*VC950915DXB*	34,600	27,000	15.00	12.50	1,205	5988316	
CA*F4860*6D*+TXV	G*VC951155DXB*	34,600	27,000	16.00	13.00	1,190	5988323	
CA*F4860*6D*+TXV	G*VM960805DXB*	34,600	27,000	15.00	12.50	1,205	5988347	
CA*F4860*6D*+TXV	G*VM961005DXB*	34,600	27,000	15.00	12.50	1,085	5988354	
CA*F4860*6D*+TXV	G*VM961155DXB*	34,600	27,000	15.50	12.50	1,085	5988362	
CA*F4860*6D*+TXV	ADVC80805C*B*	34,600	27,000	15.50	12.50	1,200	5988368	

See Notes on Page 60.

AHRI RATINGS (CONT.)

OUTDOOR UNIT	INDOOR UNITS		COOLING RATINGS				CFM	AHRI #
	COILS/AIR HANDLERS	FURNACES	TOTAL ¹	SENS. ¹	SEER ²	EER ³		
ASX16 0361F* (cont.)	CA*F4860*6D*+TXV	ADVC81005C*B*	34,600	27,000	15.50	12.50	1,115	5988370
	CA*F4860*6D*+TXV	GME950603BXA*	34,600	27,000	15.00	12.50	1,165	5988375
	CA*F4860*6D*+TXV	GME951005DXA*	34,600	27,000	16.00	13.00	1,050	5988392
	CA*F4860*6D*+TXV	A*VC81005C*B*	34,600	27,000	15.50	12.50	1,200	5989029
	CA*F4860*6D*+TXV	A*VC950714CXB*	34,600	27,000	15.00	12.50	1,125	5989044
	CA*F4860*6D*+TXV	A*VC950905CXB*	34,600	27,000	15.50	12.50	1,175	5989052
	CA*F4860*6D*+TXV	A*VC950905DXB*	34,600	27,000	15.00	12.50	1,145	5989060
	CA*F4860*6D*+TXV	A*VC950915DXB*	34,600	27,000	15.00	12.50	1,205	5989068
	CA*F4860*6D*+TXV	A*VC951155DXB*	34,600	27,000	16.00	13.00	1,190	5989075
	CA*F4860*6D*+TXV	A*VM960805DXB*	34,600	27,000	15.00	12.50	1,205	5989099
	CA*F4860*6D*+TXV	A*VM961005DXB*	34,600	27,000	15.00	12.50	1,085	5989106
	CA*F4860*6D*+TXV	A*VM961155DXB*	34,600	27,000	15.50	12.50	1,085	5989114
	CA*F4860*6D*+TXV	GME950805CXA*	34,000	26,400	16.00	13.00	1,000	6090107
	CA*F4860*6D*+TXV	G*E80805C*B*	34,000	26,400	16.00	13.00	1,000	6107831
	CA*F4860*6D*+TXV	A*EH800805C*A*	34,000	26,400	16.00	13.00	1,000	6945988
	CA*F4860*6D*+TXV	A*EH801005C*A*	34,600	27,000	15.50	12.50	1,200	6945989
	CA*F4860*6D*+TXV	AMEH960603BXA*	34,600	27,000	15.00	12.50	1,165	6945990
	CA*F4860*6D*+TXV	AMEH960805CXA*	34,000	26,400	16.00	13.00	1,000	6945991
	CA*F4860*6D*+TXV	AMEH961005DXA*	34,600	27,000	16.00	13.00	1,050	6945992
	CA*F4961*6D*	G*E80805C*B*	35,000	27,200	15.50	12.50	1,180	5988255
	CA*F4961*6D*	G*VC950714CXB*	35,000	27,200	15.00	12.50	1,125	5988293
	CA*F4961*6D*	G*VC950915DXB*	35,000	27,200	15.00	12.50	1,205	5988317
	CA*F4961*6D*	A*VC950714CXB*	35,000	27,200	15.00	12.50	1,125	5989045
	CA*F4961*6D*	A*VC950915DXB*	35,000	27,200	15.00	12.50	1,205	5989069
	CA*F4961*6D*	A*EH800805C*A*	35,000	27,200	15.50	12.50	1,180	6945993
	CA*F4961*6D*+EEP		35,000	27,200	14.50	12.00	1,200	5988227
	CA*F4961*6D*+EEP+TXV		35,000	27,200	15.00	12.50	1,100	5753115
	CA*F4961*6D*+MBVC1600**-1A*		35,000	27,200	15.50	12.50	1,200	5988228
	CA*F4961*6D*+MBVC1600**-1A*+TXV		35,000	27,200	16.00	13.00	1,200	5988229
	CA*F4961*6D*+TXV	G*E80805C*B*	35,000	27,200	16.00	13.00	1,180	5988256
	CA*F4961*6D*+TXV	G*VC950714CXB*	35,000	27,200	15.50	12.50	1,125	5988294
	CA*F4961*6D*+TXV	G*VC950915DXB*	35,000	27,200	15.50	12.50	1,205	5988318
	CA*F4961*6D*+TXV	A*VC950714CXB*	35,000	27,200	15.50	12.50	1,125	5989046
	CA*F4961*6D*+TXV	A*VC950915DXB*	35,000	27,200	15.50	12.50	1,205	5989070
	CA*F4961*6D*+TXV	G*VM960604CXB*	34,600	27,000	15.20	12.50	1,140	6107310
	CA*F4961*6D*+TXV	G*VM960805CXB*	34,600	27,000	15.20	12.50	1,175	6107311
	CA*F4961*6D*+TXV	A*VM960604CXB*	34,600	27,000	15.20	12.50	1,140	6107323
	CA*F4961*6D*+TXV	A*VM960805CXB*	34,600	27,000	15.20	12.50	1,175	6107324
	CA*F4961*6D*+TXV	A*EH800805C*A*	35,000	27,200	16.00	13.00	1,180	6945994
	CAPT3743*4A*	G*VC950704CXB*	34,600	27,000	15.00	12.50	1,120	5988287
	CAPT3743*4A*	G*VC950905CXB*	34,600	27,000	15.00	12.50	1,175	5988301
	CAPT3743*4A*	G*VC950905DXB*	34,600	27,000	15.00	12.50	1,145	5988309
	CAPT3743*4A*	G*VC950915DXB*	34,600	27,000	15.00	12.50	1,205	5988319
	CAPT3743*4A*	G*VC951155DXB*	34,600	27,000	15.00	12.50	1,190	5988324
	CAPT3743*4A*	G*VM960805CXB*	34,600	27,000	15.00	12.50	1,175	5988340
	CAPT3743*4A*	G*VM960805DXB*	34,600	27,000	15.00	12.50	1,205	5988348
	CAPT3743*4A*	G*VM961005DXB*	34,600	27,000	15.00	12.50	1,085	5988355
	CAPT3743*4A*	G*VM961155DXB*	34,600	27,000	15.00	12.50	1,085	5988363
	CAPT3743*4A*	GME950805CXA*	34,600	27,000	15.00	12.50	1,110	5988385
	CAPT3743*4A*	GME951005DXA*	34,600	27,000	15.50	12.50	1,050	5988393
CAPT3743*4A*	A*VC950704CXB*	34,600	27,000	15.00	12.50	1,120	5989039	
CAPT3743*4A*	A*VC950905CXB*	34,600	27,000	15.00	12.50	1,175	5989053	
CAPT3743*4A*	A*VC950905DXB*	34,600	27,000	15.00	12.50	1,145	5989061	
CAPT3743*4A*	A*VC950915DXB*	34,600	27,000	15.00	12.50	1,205	5989071	
CAPT3743*4A*	A*VC951155DXB*	34,600	27,000	15.00	12.50	1,190	5989076	
CAPT3743*4A*	A*VM960805CXB*	34,600	27,000	15.00	12.50	1,175	5989092	

See Notes on Page 60.

AHRI RATINGS (CONT.)

OUTDOOR UNIT	INDOOR UNITS		COOLING RATINGS				CFM	AHRI #
	COILS/AIR HANDLERS	FURNACES	TOTAL ¹	SENS. ¹	SEER ²	EER ³		
ASX16 0361F* (cont.)	CAPT3743*4A*	A*VM960805DXB*	34,600	27,000	15.00	12.50	1,205	5989100
	CAPT3743*4A*	A*VM961005DXB*	34,600	27,000	15.00	12.50	1,085	5989107
	CAPT3743*4A*	A*VM961155DXB*	34,600	27,000	15.00	12.50	1,085	5989115
	CAPT3743*4A*	ADVC81005C*B*	34,000	26,400	15.00	12.50	1,115	6494014
	CAPT3743*4A*	G*VC80604B*B*	34,600	27,000	15.00	12.50	1,125	6494015
	CAPT3743*4A*	ADVC80805C*B*	34,600	27,000	15.00	12.50	1,200	6494016
	CAPT3743*4A*	G*VC80805C*B*	34,600	27,000	15.00	12.50	1,200	6494017
	CAPT3743*4A*	G*VC81005C*B*	34,600	27,000	15.00	12.50	1,200	6494018
	CAPT3743*4A*	G*E81005C*B*	34,600	27,000	15.00	12.50	1,200	6494019
	CAPT3743*4A*	G*E80805C*B*	34,600	27,000	15.00	12.50	1,200	6494020
	CAPT3743*4A*	G*VC950714CXB*	34,600	27,000	14.50	12.50	1,150	6494022
	CAPT3743*4A*	G*VM960604CXB*	34,600	27,000	14.50	12.50	1,150	6494023
	CAPT3743*4A*	ADVC80603B*B*	34,600	27,000	14.50	12.50	1,175	6494024
	CAPT3743*4A*	G*E80603B*B*	34,600	27,000	14.50	12.50	1,150	6494025
	CAPT3743*4A*	GME950403BXA*	34,600	27,000	14.50	12.50	1,150	6494026
	CAPT3743*4A*	G*VM960603BXB*	34,600	27,000	14.50	12.50	1,200	6494027
	CAPT3743*4A*	GME950603BXA*	34,600	27,000	14.00	12.00	1,150	6494028
	CAPT3743*4A*	G*VC950453BXB*	34,600	27,000	14.00	12.00	1,200	6494029
	CAPT3743*4A*	A*VC80604B*B*	34,600	27,000	15.00	12.50	1,125	6494030
	CAPT3743*4A*	A*VC80805C*B*	34,600	27,000	15.00	12.50	1,200	6494031
	CAPT3743*4A*	A*VC81005C*B*	34,600	27,000	15.00	12.50	1,200	6494032
	CAPT3743*4A*	A*VC950714CXB*	34,600	27,000	14.50	12.50	1,150	6494033
	CAPT3743*4A*	A*VM960604CXB*	34,600	27,000	14.50	12.50	1,150	6494034
	CAPT3743*4A*	A*VM960603BXB*	34,600	27,000	14.50	12.50	1,200	6494035
	CAPT3743*4A*	A*VC950453BXB*	34,600	27,000	14.00	12.00	1,200	6494036
	CAPT3743*4A*	A*EH800603B*A*	34,600	27,000	14.50	12.50	1,150	6945995
	CAPT3743*4A*	A*EH800805C*A*	34,600	27,000	15.00	12.50	1,200	6945996
	CAPT3743*4A*	A*EH801005C*A*	34,600	27,000	15.00	12.50	1,200	6945997
	CAPT3743*4A*	AMEH960403BXA*	34,600	27,000	14.50	12.50	1,150	6945998
	CAPT3743*4A*	AMEH960603BXA*	34,600	27,000	14.00	12.00	1,150	6945999
	CAPT3743*4A*	AMEH960805CXA*	34,600	27,000	15.00	12.50	1,110	6946000
	CAPT3743*4A*	AMEH961005DXA*	34,600	27,000	15.50	12.50	1,050	6946001
	CAPT3743*4A*+EPP		34,600	27,000	14.00	12.00	1,200	5988230
	CAPT3743*4A*+MBVC1200**-1A*		34,000	26,400	15.00	12.50	1,100	6494021
	CAPT3743*4A*+MBVC1600**-1A*		34,600	27,000	15.00	12.50	1,220	5988231
	CAPT3743*4A*+MBVC2000**-1A*		34,600	27,000	15.00	12.50	1,120	5988232
	CHPF3642C6C*	G*E80603B*B*	34,600	27,000	14.50	12.00	1,150	5988250
	CHPF3642C6C*	G*E80805C*B*	34,600	27,000	15.00	12.50	1,180	5988257
	CHPF3642C6C*	G*E81005C*B*	34,600	27,000	15.00	12.50	1,200	5988262
	CHPF3642C6C*	G*VC80805C*B*	34,600	27,000	14.50	12.00	1,180	5988269
	CHPF3642C6C*	G*VC81005C*B*	34,600	27,000	14.50	12.00	1,200	5988277
	CHPF3642C6C*	G*VC950704CXB*	34,600	27,000	14.50	12.00	1,120	5988288
	CHPF3642C6C*	G*VM960604CXB*	34,600	27,000	14.50	12.00	1,140	5988333
	CHPF3642C6C*	GME950603BXA*	34,600	27,000	14.00	12.00	1,165	5988376
	CHPF3642C6C*	A*VC80805C*B*	34,600	27,000	14.50	12.00	1,180	5989023
	CHPF3642C6C*	A*VC81005C*B*	34,600	27,000	14.50	12.00	1,200	5989030
	CHPF3642C6C*	A*VC950704CXB*	34,600	27,000	14.50	12.00	1,120	5989040
	CHPF3642C6C*	A*VM960604CXB*	34,600	27,000	14.50	12.00	1,140	5989085
CHPF3642C6C*	A*EH800603B*A*	34,600	27,000	14.50	12.00	1,150	6946002	
CHPF3642C6C*	A*EH800805C*A*	34,600	27,000	15.00	12.50	1,180	6946003	
CHPF3642C6C*	A*EH801005C*A*	34,600	27,000	15.00	12.50	1,200	6946004	
CHPF3642C6C*	AMEH960603BXA*	34,600	27,000	14.00	12.00	1,165	6946005	
CHPF3642C6C*+EPP		34,600	27,000	14.00	12.00	1,200	5988233	
CHPF3642C6C*+EPP+TXV		34,600	27,000	14.50	12.00	1,200	5988234	
CHPF3642C6C*+MBVC1600**-1A*		34,600	27,000	14.50	12.00	1,220	5988236	
CHPF3642C6C*+MBVC1600**-1A*+TXV		34,600	27,000	15.00	12.50	1,220	5988238	

See Notes on Page 60.

AHRI RATINGS (CONT.)

OUTDOOR UNIT	INDOOR UNITS		COOLING RATINGS				CFM	AHRI #
	COILS/AIR HANDLERS	FURNACES	TOTAL ¹	SENS. ¹	SEER ²	EER ³		
ASX16	CHPF3642C6C*+TXV	G*E80603B*B*	34,600	27,000	15.00	12.50	1,150	5988251
0361F*	CHPF3642C6C*+TXV	G*E80805C*B*	34,600	27,000	15.50	12.50	1,180	5988258
(cont.)	CHPF3642C6C*+TXV	G*E81005C*B*	34,600	27,000	15.00	12.50	1,200	5988263
	CHPF3642C6C*+TXV	G*VC80805C*B*	34,600	27,000	15.00	12.50	1,180	5988270
	CHPF3642C6C*+TXV	G*VC81005C*B*	34,600	27,000	15.00	12.50	1,200	5988278
	CHPF3642C6C*+TXV	G*VM960604CXB*	34,600	27,000	15.00	12.50	1,140	5988334
	CHPF3642C6C*+TXV	GME950603BXA*	34,600	27,000	14.50	11.50	1,165	5988377
	CHPF3642C6C*+TXV	A*VC80805C*B*	34,600	27,000	15.00	12.50	1,180	5989024
	CHPF3642C6C*+TXV	A*VC81005C*B*	34,600	27,000	15.00	12.50	1,200	5989031
	CHPF3642C6C*+TXV	A*VM960604CXB*	34,600	27,000	15.00	12.50	1,140	5989086
	CHPF3642C6C*+TXV	A*EH800603B*A*	34,600	27,000	15.00	12.50	1,150	6946006
	CHPF3642C6C*+TXV	A*EH800805C*A*	34,600	27,000	15.50	12.50	1,180	6946007
	CHPF3642C6C*+TXV	A*EH801005C*A*	34,600	27,000	15.00	12.50	1,200	6946008
	CHPF3642C6C*+TXV	AMEH960603BXA*	34,600	27,000	14.50	11.50	1,165	6946009
	CHPF3743C6B*	G*VC950905CXB*	34,800	27,000	14.50	12.00	1,175	5988302
	CHPF3743C6B*	G*VM960805CXB*	34,800	27,000	14.50	12.00	1,175	5988341
	CHPF3743C6B*	A*VC950905CXB*	34,800	27,000	14.50	12.00	1,175	5989054
	CHPF3743C6B*	A*VM960805CXB*	34,800	27,000	14.50	12.00	1,175	5989093
	CHPF3743C6B*+EEP+TXV		34,800	27,000	14.50	12.00	1,100	5753116
	CHPF3743C6B*+TXV	G*VC950905CXB*	34,800	27,000	15.00	12.50	1,175	5988303
	CHPF3743C6B*+TXV	G*VM960805CXB*	34,800	27,000	15.00	12.50	1,175	5988342
	CHPF3743C6B*+TXV	A*VC950905CXB*	34,800	27,000	15.00	12.50	1,175	5989055
	CHPF3743C6B*+TXV	A*VM960805CXB*	34,800	27,000	15.00	12.50	1,175	5989094
	CHPF3743D6B*	G*VC950905CXB*	34,800	27,000	14.50	12.00	1,175	5988304
	CHPF3743D6B*	G*VC950905DXB*	34,800	27,000	14.50	12.00	1,145	5988310
	CHPF3743D6B*	G*VC951155DXB*	34,800	27,000	15.00	12.50	1,190	5988326
	CHPF3743D6B*	G*VM960805CXB*	34,800	27,000	14.50	12.00	1,175	5988343
	CHPF3743D6B*	G*VM960805DXB*	34,800	27,000	14.50	12.00	1,205	5988349
	CHPF3743D6B*	G*VM961005DXB*	34,800	27,000	14.50	12.00	1,085	5988357
	CHPF3743D6B*	G*VM961155DXB*	34,800	27,000	15.00	12.50	1,085	5988365
	CHPF3743D6B*	GME950805CXA*	34,800	27,000	14.50	12.00	1,110	5988386
	CHPF3743D6B*	A*VC950905CXB*	34,800	27,000	14.50	12.00	1,175	5989056
	CHPF3743D6B*	A*VC950905DXB*	34,800	27,000	14.50	12.00	1,145	5989062
	CHPF3743D6B*	A*VC951155DXB*	34,800	27,000	15.00	12.50	1,190	5989078
	CHPF3743D6B*	A*VM960805CXB*	34,800	27,000	14.50	12.00	1,175	5989095
	CHPF3743D6B*	A*VM960805DXB*	34,800	27,000	14.50	12.00	1,205	5989101
	CHPF3743D6B*	A*VM961005DXB*	34,800	27,000	14.50	12.00	1,085	5989109
	CHPF3743D6B*	A*VM961155DXB*	34,800	27,000	15.00	12.50	1,085	5989117
	CHPF3743D6B*	AMEH960805CXA*	34,800	27,000	14.50	12.00	1,110	6946010
	CHPF3743D6B*+EEP		34,800	27,000	14.00	12.00	1,200	5990714
	CHPF3743D6B*+EEP+TXV		34,800	27,000	14.50	12.00	1,200	5988240
	CHPF3743D6B*+TXV	G*VC950905DXB*	34,800	27,000	15.00	12.50	1,145	5988311
	CHPF3743D6B*+TXV	G*VC951155DXB*	34,800	27,000	15.00	12.50	1,190	5988327
	CHPF3743D6B*+TXV	G*VM960805DXB*	34,800	27,000	15.00	12.50	1,205	5988350
	CHPF3743D6B*+TXV	G*VM961005DXB*	34,800	27,000	15.00	12.50	1,085	5988358
	CHPF3743D6B*+TXV	G*VM961155DXB*	34,800	27,000	15.00	12.50	1,085	5988366
	CHPF3743D6B*+TXV	GME950805CXA*	34,800	27,000	15.50	12.50	1,110	5988387
	CHPF3743D6B*+TXV	A*VC950905DXB*	34,800	27,000	15.00	12.50	1,145	5989063
	CHPF3743D6B*+TXV	A*VC951155DXB*	34,800	27,000	15.00	12.50	1,190	5989079
	CHPF3743D6B*+TXV	A*VM960805DXB*	34,800	27,000	15.00	12.50	1,205	5989102
	CHPF3743D6B*+TXV	A*VM961005DXB*	34,800	27,000	15.00	12.50	1,085	5989110
	CHPF3743D6B*+TXV	A*VM961155DXB*	34,800	27,000	15.00	12.50	1,085	5989118
	CHPF3743D6B*+TXV	AMEH960805CXA*	34,800	27,000	15.50	12.50	1,110	6946011
	CHPF4860D6D*	G*E80805C*B*	34,800	27,000	15.50	12.50	1,180	5988259
	CHPF4860D6D*	G*VC80805C*B*	34,800	27,000	16.00	13.00	1,180	5988271
	CHPF4860D6D*	G*VC81005C*B*	34,800	27,000	14.50	12.00	1,200	5988279

See Notes on Page 60.

AHRI RATINGS (CONT.)

OUTDOOR UNIT	INDOOR UNITS		COOLING RATINGS				CFM	AHRI #
	COILS/AIR HANDLERS	FURNACES	TOTAL ¹	SENS. ¹	SEER ²	EER ³		
ASX16 0361F* (cont.)	CHPF4860D6D*	GME950805CXA*	34,800	27,000	15.50	12.50	1,110	5988388
	CHPF4860D6D*	GME951005DXA*	34,800	27,000	15.50	12.50	1,050	5988395
	CHPF4860D6D*	A*VC80805C*B*	34,800	27,000	16.00	13.00	1,180	5989025
	CHPF4860D6D*	A*VC81005C*B*	34,800	27,000	14.50	12.00	1,200	5989032
	CHPF4860D6D*	A*EH800805C*A*	34,800	27,000	15.50	12.50	1,180	6946012
	CHPF4860D6D*	AMEH960805CXA*	34,800	27,000	15.50	12.50	1,110	6946013
	CHPF4860D6D*	AMEH961005DXA*	34,800	27,000	15.50	12.50	1,050	6946014
	CHPF4860D6D*+EEP		34,800	27,000	14.50	12.00	1,200	5988241
	CHPF4860D6D*+EEP+TXV		35,000	27,200	15.00	12.50	1,100	5753117
	CHPF4860D6D*+MBVC1600**-1A*		34,800	27,000	15.50	12.50	1,220	5988242
	CHPF4860D6D*+MBVC1600**-1A*+TXV		34,800	27,000	16.00	13.00	1,220	5988244
	CHPF4860D6D*+MBVC2000**-1A*		34,800	27,000	15.50	12.50	1,120	5988243
	CHPF4860D6D*+MBVC2000**-1A*+TXV		34,800	27,000	16.00	13.00	1,120	5988245
	CHPF4860D6D*+TXV	A*VC80805C*B*	34,800	27,000	15.50	12.50	1,180	5753119
	CHPF4860D6D*+TXV	A*VC950704CXB*	34,000	26,400	16.00	13.00	1,025	5753121
	CHPF4860D6D*+TXV	G*VC80805C*B*	34,800	27,000	15.50	12.50	1,180	5988272
	CHPF4860D6D*+TXV	G*VC81005C*B*	34,800	27,000	15.50	12.50	1,200	5988280
	CHPF4860D6D*+TXV	GME951005DXA*	34,800	27,000	16.00	13.00	1,050	5988396
	CHPF4860D6D*+TXV	A*VC81005C*B*	34,800	27,000	15.50	12.50	1,200	5989033
	CHPF4860D6D*+TXV	GME950805CXA*	34,000	26,400	16.00	13.00	1,000	6090109
	CHPF4860D6D*+TXV	G*E80805C*B*	34,000	26,400	16.00	13.00	1,000	6107832
	CHPF4860D6D*+TXV	G*VC950704CXB*	34,000	26,400	16.00	13.00	1,025	6107837
	CHPF4860D6D*+TXV	G*VC950905CXB*	35,000	27,200	16.00	13.00	1,150	6498499
	CHPF4860D6D*+TXV	A*EH800805C*A*	34,000	26,400	16.00	13.00	1,000	6946015
	CHPF4860D6D*+TXV	AMEH960805CXA*	34,000	26,400	16.00	13.00	1,000	6946016
	CHPF4860D6D*+TXV	AMEH961005DXA*	34,800	27,000	16.00	13.00	1,050	6946017
	CSCF4860N6D*	G*VC950704CXB*	34,400	26,800	15.00	12.50	1,120	5988289
	CSCF4860N6D*	G*VC950905DXB*	34,400	26,800	14.50	12.00	1,145	5988312
	CSCF4860N6D*	G*VC951155DXB*	34,400	26,800	14.50	12.00	1,190	5988328
	CSCF4860N6D*	A*VC950704CXB*	34,400	26,800	15.00	12.50	1,120	5989041
	CSCF4860N6D*	A*VC950905DXB*	34,400	26,800	14.50	12.00	1,145	5989064
	CSCF4860N6D*	A*VC951155DXB*	34,400	26,800	14.50	12.00	1,190	5989080
	CSCF4860N6D*+EEP		34,400	26,800	14.00	12.00	1,200	5988246
	CSCF4860N6D*+EEP+TXV		34,400	26,800	14.50	12.00	1,200	5988247
	CSCF4860N6D*+TXV	G*VC950704CXB*	34,400	26,800	15.00	12.50	1,120	5988290
	CSCF4860N6D*+TXV	G*VC950905DXB*	34,400	26,800	15.00	12.50	1,145	5988313
	CSCF4860N6D*+TXV	G*VC951155DXB*	34,400	26,800	15.00	12.50	1,190	5988329
	CSCF4860N6D*+TXV	A*VC950704CXB*	34,400	26,800	15.00	12.50	1,120	5989042
	CSCF4860N6D*+TXV	A*VC950905DXB*	34,400	26,800	15.00	12.50	1,145	5989065
	CSCF4860N6D*+TXV	A*VC951155DXB*	34,400	26,800	15.00	12.50	1,190	5989081
DV48PTCC14A*		34,400	26,800	14.50	12.00	1,000	7041748	
ASX16 0421F*	ARPT42D14A*		40,000	30,400	14.00	12.00	1,320	5988397
	ARPT48D14A*		40,000	30,400	14.00	12.00	1,250	5988398
	ARUF42C14A*		39,000	29,600	13.50	11.50	1,275	5988399
	ARUF48D14A*		40,000	30,400	14.00	12.00	1,320	5988400
	ASPT42D14A*		41,000	31,200	16.00	13.00	1,350	5756184
	ASPT48C14A*		40,000	30,400	14.50	12.00	1,300	7041749
	ASPT48D14A*		41,000	31,200	16.00	13.00	1,285	5988401
	ASPT60D14A*		41,000	31,200	16.00	13.00	1,410	5988402
	ASUF49C14A*		40,000	30,400	14.00	12.00	1,330	5988403
	ASUF49C14A*+TXV		40,000	30,400	14.50	12.00	1,330	5988404
	AVPTC42D14A*		41,000	31,200	16.00	13.00	1,310	5924386
	AVPTC48C14A*		40,000	30,400	14.50	12.00	1,300	7041750
	CA*F3743*6D*	G*VC950704CXB*	40,000	30,400	13.50	11.50	1,320	5988447
	CA*F3743*6D*	G*VC950905CXB*	40,000	30,400	14.00	12.00	1,280	5988459
	CA*F3743*6D*	G*VC950905DXB*	40,000	30,400	14.00	12.00	1,420	5988468

See Notes on Page 60.

AHRI RATINGS (CONT.)

OUTDOOR UNIT	INDOOR UNITS		COOLING RATINGS				CFM	AHRI #
	COILS/AIR HANDLERS	FURNACES	TOTAL ¹	SENS. ¹	SEER ²	EER ³		
ASX16 0421F* (cont.)	CA*F3743*6D*	G*VC951155DXB*	40,000	30,400	14.00	12.00	1,400	5988480
	CA*F3743*6D*	G*VM960604CXB*	40,000	30,400	13.50	11.50	1,460	5988489
	CA*F3743*6D*	G*VM960805CXB*	40,000	30,400	14.00	12.00	1,290	5988495
	CA*F3743*6D*	G*VM960805DXB*	40,000	30,400	14.00	12.00	1,420	5988501
	CA*F3743*6D*	G*VM961005DXB*	40,000	30,400	14.00	12.00	1,400	5988508
	CA*F3743*6D*	G*VM961155DXB*	40,000	30,400	14.00	12.00	1,400	5988514
	CA*F3743*6D*	GME950805CXA*	40,000	30,400	14.50	12.00	1,325	5988529
	CA*F3743*6D*	GME951005DXA*	40,000	30,400	14.50	12.00	1,250	5988537
	CA*F3743*6D*	A*VC950704CXB*	40,000	30,400	13.50	11.50	1,320	5989130
	CA*F3743*6D*	A*VC950905CXB*	40,000	30,400	14.00	12.00	1,280	5989142
	CA*F3743*6D*	A*VC950905DXB*	40,000	30,400	14.00	12.00	1,420	5989151
	CA*F3743*6D*	A*VC951155DXB*	40,000	30,400	14.00	12.00	1,400	5989161
	CA*F3743*6D*	A*VM960604CXB*	40,000	30,400	13.50	11.50	1,460	5989170
	CA*F3743*6D*	A*VM960805CXB*	40,000	30,400	14.00	12.00	1,290	5989176
	CA*F3743*6D*	A*VM960805DXB*	40,000	30,400	14.00	12.00	1,420	5989182
	CA*F3743*6D*	A*VM961005DXB*	40,000	30,400	14.00	12.00	1,400	5989189
	CA*F3743*6D*	A*VM961155DXB*	40,000	30,400	14.00	12.00	1,400	5989195
	CA*F3743*6D*	AMEH960805CXA*	40,000	30,400	14.50	12.00	1,325	6946018
	CA*F3743*6D*	AMEH961005DXA*	40,000	30,400	14.50	12.00	1,250	6946019
	CA*F3743*6D*+EEP+TXV		40,000	30,400	14.50	12.00	1,400	5988405
	CA*F3743*6D*+TXV	G*VC950704CXB*	40,000	30,400	14.00	12.00	1,320	5988448
	CA*F3743*6D*+TXV	G*VC950714CXB*	40,000	30,400	14.50	12.00	1,285	5988456
	CA*F3743*6D*+TXV	G*VC950905CXB*	40,000	30,400	14.50	12.00	1,280	5988460
	CA*F3743*6D*+TXV	G*VC950905DXB*	40,000	30,400	14.50	12.00	1,420	5988469
	CA*F3743*6D*+TXV	G*VC950915DXB*	40,000	30,400	15.00	12.50	1,200	5988477
	CA*F3743*6D*+TXV	G*VC951155DXB*	40,000	30,400	14.50	12.00	1,400	5988481
	CA*F3743*6D*+TXV	G*VM960604CXB*	40,000	30,400	14.00	12.00	1,460	5988490
	CA*F3743*6D*+TXV	G*VM960805CXB*	40,000	30,400	14.50	12.00	1,290	5988496
	CA*F3743*6D*+TXV	G*VM960805DXB*	40,000	30,400	14.50	12.00	1,420	5988502
	CA*F3743*6D*+TXV	G*VM961005DXB*	40,000	30,400	14.50	12.00	1,400	5988509
	CA*F3743*6D*+TXV	G*VM961155DXB*	40,000	30,400	14.50	12.00	1,400	5988515
	CA*F3743*6D*+TXV	ADVC80805C*B*	40,000	30,400	15.50	12.50	1,250	5988521
	CA*F3743*6D*+TXV	ADVC81005C*B*	40,000	30,400	15.50	12.50	1,400	5988525
	CA*F3743*6D*+TXV	GME950805CXA*	40,000	30,400	14.50	12.00	1,325	5988530
	CA*F3743*6D*+TXV	GME951005DXA*	40,000	30,400	15.00	12.50	1,250	5988538
	CA*F3743*6D*+TXV	A*VC950704CXB*	40,000	30,400	14.00	12.00	1,320	5989131
	CA*F3743*6D*+TXV	A*VC950714CXB*	40,000	30,400	14.50	12.00	1,285	5989139
	CA*F3743*6D*+TXV	A*VC950905CXB*	40,000	30,400	14.50	12.00	1,280	5989143
	CA*F3743*6D*+TXV	A*VC950905DXB*	40,000	30,400	14.50	12.00	1,420	5989152
	CA*F3743*6D*+TXV	A*VC950915DXB*	40,000	30,400	15.00	12.50	1,200	5989158
	CA*F3743*6D*+TXV	A*VC951155DXB*	40,000	30,400	14.50	12.00	1,400	5989162
	CA*F3743*6D*+TXV	A*VM960604CXB*	40,000	30,400	14.00	12.00	1,460	5989171
	CA*F3743*6D*+TXV	A*VM960805CXB*	40,000	30,400	14.50	12.00	1,290	5989177
	CA*F3743*6D*+TXV	A*VM960805DXB*	40,000	30,400	14.50	12.00	1,420	5989183
	CA*F3743*6D*+TXV	A*VM961005DXB*	40,000	30,400	14.50	12.00	1,400	5989190
	CA*F3743*6D*+TXV	A*VM961155DXB*	40,000	30,400	14.50	12.00	1,400	5989196
	CA*F3743*6D*+TXV	AMEH960805CXA*	40,000	30,400	14.50	12.00	1,325	6946020
	CA*F3743*6D*+TXV	AMEH961005DXA*	40,000	30,400	15.00	12.50	1,250	6946021
CA*F4860*6D*	G*E80805C*B*	40,000	30,400	14.50	12.00	1,350	5988420	
CA*F4860*6D*	G*E80805D*A*	40,000	30,400	15.00	12.50	1,310	5988426	
CA*F4860*6D*	G*E81005C*B*	40,000	30,400	14.00	12.00	1,420	5988430	
CA*F4860*6D*	G*VC80805C*B*	40,000	30,400	14.50	12.00	1,190	5988436	
CA*F4860*6D*	G*VC81005C*B*	40,000	30,400	14.50	12.00	1,370	5988442	
CA*F4860*6D*	G*VC950704CXB*	40,000	30,400	14.00	12.00	1,320	5988449	
CA*F4860*6D*	G*VC950714CXB*	40,000	30,400	15.00	12.50	1,285	5988457	
CA*F4860*6D*	G*VC950905CXB*	40,000	30,400	14.50	12.00	1,280	5988461	

See Notes on Page 60.

AHRI RATINGS (CONT.)

OUTDOOR UNIT	INDOOR UNITS		COOLING RATINGS				CFM	AHRI #
	COILS/AIR HANDLERS	FURNACES	TOTAL ¹	SENS. ¹	SEER ²	EER ³		
ASX16 0421F* (cont.)	CA*F4860*6D*	G*VC950905DXB*	40,000	30,400	14.50	12.00	1,420	5988470
	CA*F4860*6D*	G*VC950915DXB*	40,000	30,400	15.00	12.50	1,200	5988478
	CA*F4860*6D*	G*VC951155DXB*	40,000	30,400	15.00	12.50	1,400	5988482
	CA*F4860*6D*	G*VM960604CXB*	40,000	30,400	14.00	12.00	1,460	5988491
	CA*F4860*6D*	G*VM960805CXB*	40,000	30,400	14.50	12.00	1,290	5988497
	CA*F4860*6D*	G*VM960805DXB*	40,000	30,400	14.50	12.00	1,420	5988503
	CA*F4860*6D*	G*VM961005DXB*	40,000	30,400	14.50	12.00	1,400	5988510
	CA*F4860*6D*	G*VM961155DXB*	40,000	30,400	15.00	12.50	1,400	5988516
	CA*F4860*6D*	ADVC80805C*B*	40,000	30,400	15.00	12.50	1,250	5988522
	CA*F4860*6D*	ADVC81005C*B*	40,000	30,400	15.00	12.50	1,400	5988526
	CA*F4860*6D*	GME950805CXA*	40,000	30,400	14.00	12.00	1,325	5988531
	CA*F4860*6D*	GME951005DXA*	40,000	30,400	14.50	12.00	1,250	5988539
	CA*F4860*6D*	A*VC80805C*B*	40,000	30,400	14.50	12.00	1,190	5989119
	CA*F4860*6D*	A*VC81005C*B*	40,000	30,400	14.50	12.00	1,370	5989125
	CA*F4860*6D*	A*VC950704CXB*	40,000	30,400	14.00	12.00	1,320	5989132
	CA*F4860*6D*	A*VC950714CXB*	40,000	30,400	15.00	12.50	1,285	5989140
	CA*F4860*6D*	A*VC950905CXB*	40,000	30,400	14.50	12.00	1,280	5989144
	CA*F4860*6D*	A*VC950905DXB*	40,000	30,400	14.50	12.00	1,420	5989153
	CA*F4860*6D*	A*VC950915DXB*	40,000	30,400	15.00	12.50	1,200	5989159
	CA*F4860*6D*	A*VC951155DXB*	40,000	30,400	15.00	12.50	1,400	5989163
	CA*F4860*6D*	A*VM960604CXB*	40,000	30,400	14.00	12.00	1,460	5989172
	CA*F4860*6D*	A*VM960805CXB*	40,000	30,400	14.50	12.00	1,290	5989178
	CA*F4860*6D*	A*VM960805DXB*	40,000	30,400	14.50	12.00	1,420	5989184
	CA*F4860*6D*	A*VM961005DXB*	40,000	30,400	14.50	12.00	1,400	5989191
	CA*F4860*6D*	A*VM961155DXB*	40,000	30,400	15.00	12.50	1,400	5989197
	CA*F4860*6D*	A*EH800805C*A*	40,000	30,400	14.50	12.00	1,350	6946022
	CA*F4860*6D*	A*EH800805D*A*	40,000	30,400	15.00	12.50	1,310	6946023
	CA*F4860*6D*	A*EH801005C*A*	40,000	30,400	14.00	12.00	1,420	6946024
	CA*F4860*6D*	AMEH960805CXA*	40,000	30,400	14.00	12.00	1,325	6946025
	CA*F4860*6D*	AMEH961005DXA*	40,000	30,400	14.50	12.00	1,250	6946026
	CA*F4860*6D*+EEP		40,000	30,400	14.00	12.00	1,400	5988406
	CA*F4860*6D*+EEP+TXV		42,000	32,000	14.50	12.00	1,400	5753123
	CA*F4860*6D*+MBVC2000**-1A*		40,000	30,400	15.00	12.50	1,335	5988407
	CA*F4860*6D*+MBVC2000**-1A*+TXV		40,000	30,400	15.50	12.50	1,335	5988408
	CA*F4860*6D*+TXV	G*E80805C*B*	40,000	30,400	15.00	12.50	1,350	5988421
	CA*F4860*6D*+TXV	G*E80805D*A*	40,000	30,400	15.50	12.50	1,310	5988427
	CA*F4860*6D*+TXV	G*E81005C*B*	40,000	30,400	14.50	12.00	1,420	5988431
	CA*F4860*6D*+TXV	G*VC80805C*B*	40,000	30,400	15.50	12.50	1,190	5988437
	CA*F4860*6D*+TXV	GME950805CXA*	40,000	30,400	15.00	12.50	1,325	5988532
	CA*F4860*6D*+TXV	GME951005DXA*	40,000	30,400	15.00	12.50	1,250	5988540
	CA*F4860*6D*+TXV	A*VC80805C*B*	40,000	30,400	15.50	12.50	1,190	5989120
	CA*F4860*6D*+TXV	A*EH800805C*A*	40,000	30,400	15.00	12.50	1,350	6946027
	CA*F4860*6D*+TXV	A*EH800805D*A*	40,000	30,400	15.50	12.50	1,310	6946028
	CA*F4860*6D*+TXV	A*EH801005C*A*	40,000	30,400	14.50	12.00	1,420	6946029
	CA*F4860*6D*+TXV	AMEH960805CXA*	40,000	30,400	15.00	12.50	1,325	6946030
	CA*F4860*6D*+TXV	AMEH961005DXA*	40,000	30,400	15.00	12.50	1,250	6946031
	CA*F4961*6D*	G*E80805C*B*	41,000	31,200	15.00	12.50	1,350	5988422
	CA*F4961*6D*	G*E80805D*A*	41,000	31,200	15.50	12.50	1,310	5988428
	CA*F4961*6D*	G*E81005C*B*	41,000	31,200	14.50	12.00	1,420	5988432
	CA*F4961*6D*	G*VC80805C*B*	41,000	31,200	15.00	12.50	1,190	5988438
CA*F4961*6D*	G*VC81005C*B*	41,000	31,200	14.50	12.00	1,370	5988443	
CA*F4961*6D*	G*VC950704CXB*	41,000	31,200	14.00	12.00	1,320	5988450	
CA*F4961*6D*	G*VC950905CXB*	41,000	31,200	14.50	12.00	1,280	5988462	
CA*F4961*6D*	G*VC950905DXB*	41,000	31,200	14.50	12.00	1,420	5988471	
CA*F4961*6D*	G*VC951155DXB*	41,000	31,200	15.00	12.50	1,400	5988483	
CA*F4961*6D*	G*VM960805CXB*	41,000	31,200	14.50	12.00	1,290	5988498	

See Notes on Page 60.

AHRI RATINGS (CONT.)

OUTDOOR UNIT	INDOOR UNITS		COOLING RATINGS				CFM	AHRI #
	COILS/AIR HANDLERS	FURNACES	TOTAL ¹	SENS. ¹	SEER ²	EER ³		
ASX16 0421F* (cont.)	CA*F4961*6D*	G*VM960805DXB*	41,000	31,200	14.50	12.00	1,420	5988504
	CA*F4961*6D*	G*VM961005DXB*	41,000	31,200	14.50	12.00	1,400	5988511
	CA*F4961*6D*	G*VM961155DXB*	41,000	31,200	15.00	12.50	1,400	5988517
	CA*F4961*6D*	GME950805CXA*	41,000	31,200	14.50	12.00	1,325	5988533
	CA*F4961*6D*	GME951005DXA*	41,000	31,200	15.50	12.50	1,250	5988541
	CA*F4961*6D*	A*VC80805C*B*	41,000	31,200	15.00	12.50	1,190	5989121
	CA*F4961*6D*	A*VC81005C*B*	41,000	31,200	14.50	12.00	1,370	5989126
	CA*F4961*6D*	A*VC950704CXB*	41,000	31,200	14.00	12.00	1,320	5989133
	CA*F4961*6D*	A*VC950905CXB*	41,000	31,200	14.50	12.00	1,280	5989145
	CA*F4961*6D*	A*VC950905DXB*	41,000	31,200	14.50	12.00	1,420	5989154
	CA*F4961*6D*	A*VC951155DXB*	41,000	31,200	15.00	12.50	1,400	5989164
	CA*F4961*6D*	A*VM960805CXB*	41,000	31,200	14.50	12.00	1,290	5989179
	CA*F4961*6D*	A*VM960805DXB*	41,000	31,200	14.50	12.00	1,420	5989185
	CA*F4961*6D*	A*VM961005DXB*	41,000	31,200	14.50	12.00	1,400	5989192
	CA*F4961*6D*	A*VM961155DXB*	41,000	31,200	15.00	12.50	1,400	5989198
	CA*F4961*6D*	A*EH800805C*A*	41,000	31,200	15.00	12.50	1,350	6946032
	CA*F4961*6D*	A*EH800805D*A*	41,000	31,200	15.50	12.50	1,310	6946033
	CA*F4961*6D*	A*EH801005C*A*	41,000	31,200	14.50	12.00	1,420	6946034
	CA*F4961*6D*	AMEH960805CXA*	41,000	31,200	14.50	12.00	1,325	6946035
	CA*F4961*6D*	AMEH961005DXA*	41,000	31,200	15.50	12.50	1,250	6946036
	CA*F4961*6D*+EEP+TXV		42,000	32,000	15.00	12.50	1,300	5753124
	CA*F4961*6D*+MBVC2000**-1A*		41,000	31,200	15.50	12.50	1,335	5988409
	CA*F4961*6D*+MBVC2000**-1A*+TXV		41,000	31,200	16.00	13.00	1,335	5988410
	CA*F4961*6D*+TXV	G*E80805D*A*	40,000	30,400	16.00	13.00	1,300	5753127
	CA*F4961*6D*+TXV	A*VC950905DXB*	41,000	31,200	16.00	13.00	1,400	5753129
	CA*F4961*6D*+TXV	G*E80805C*B*	41,000	31,200	15.50	12.50	1,350	5988423
	CA*F4961*6D*+TXV	G*E81005C*B*	41,000	31,200	15.00	12.50	1,420	5988433
	CA*F4961*6D*+TXV	G*VC80805C*B*	41,000	31,200	15.50	12.50	1,190	5988439
	CA*F4961*6D*+TXV	G*VC81005C*B*	41,000	31,200	15.20	12.50	1,370	5988444
	CA*F4961*6D*+TXV	G*VC950704CXB*	41,000	31,200	14.50	12.00	1,320	5988451
	CA*F4961*6D*+TXV	G*VC950714CXB*	41,000	31,200	15.50	12.50	1,285	5988458
	CA*F4961*6D*+TXV	G*VC950905CXB*	41,000	31,200	15.00	12.50	1,280	5988463
	CA*F4961*6D*+TXV	G*VC950905DXB*	41,000	31,200	16.00	13.00	1,400	5988472
	CA*F4961*6D*+TXV	G*VC950915DXB*	41,000	31,200	15.50	12.50	1,200	5988479
	CA*F4961*6D*+TXV	G*VC951155DXB*	41,000	31,200	16.00	13.00	1,400	5988484
	CA*F4961*6D*+TXV	G*VM960604CXB*	41,000	31,200	14.50	12.00	1,460	5988492
	CA*F4961*6D*+TXV	G*VM960805DXB*	41,000	31,200	15.50	12.50	1,420	5988505
	CA*F4961*6D*+TXV	G*VM961155DXB*	41,000	31,200	16.00	13.00	1,400	5988518
	CA*F4961*6D*+TXV	ADVC80805C*B*	41,000	31,200	16.00	13.00	1,250	5988523
	CA*F4961*6D*+TXV	ADVC81005C*B*	41,000	31,200	16.00	13.00	1,400	5988527
	CA*F4961*6D*+TXV	GME950805CXA*	41,000	31,200	15.50	12.50	1,325	5988534
	CA*F4961*6D*+TXV	A*VC80805C*B*	41,000	31,200	15.50	12.50	1,190	5989122
	CA*F4961*6D*+TXV	A*VC81005C*B*	41,000	31,200	15.20	12.50	1,370	5989127
	CA*F4961*6D*+TXV	A*VC950704CXB*	41,000	31,200	14.50	12.00	1,320	5989134
	CA*F4961*6D*+TXV	A*VC950714CXB*	41,000	31,200	15.50	12.50	1,285	5989141
	CA*F4961*6D*+TXV	A*VC950905CXB*	41,000	31,200	15.00	12.50	1,280	5989146
	CA*F4961*6D*+TXV	A*VC950915DXB*	41,000	31,200	15.50	12.50	1,200	5989160
	CA*F4961*6D*+TXV	A*VC951155DXB*	41,000	31,200	16.00	13.00	1,400	5989165
	CA*F4961*6D*+TXV	A*VM960604CXB*	41,000	31,200	14.50	12.00	1,460	5989173
	CA*F4961*6D*+TXV	A*VM960805DXB*	41,000	31,200	15.50	12.50	1,420	5989186
CA*F4961*6D*+TXV	A*VM961155DXB*	41,000	31,200	16.00	13.00	1,400	5989199	
CA*F4961*6D*+TXV	GME951005DXA*	40,000	30,400	16.00	13.00	1,200	6090111	
CA*F4961*6D*+TXV	G*VM960805CXB*	41,000	31,200	15.20	12.50	1,290	6107312	
CA*F4961*6D*+TXV	G*VM961005DXB*	41,000	31,200	16.00	13.00	1,400	6107313	
CA*F4961*6D*+TXV	A*VM960805CXB*	41,000	31,200	15.20	12.50	1,290	6107325	
CA*F4961*6D*+TXV	A*VM961005DXB*	41,000	31,200	16.00	13.00	1,400	6107326	

See Notes on Page 60.

AHRI RATINGS (CONT.)

OUTDOOR UNIT	INDOOR UNITS		COOLING RATINGS				CFM	AHRI #
	COILS/AIR HANDLERS	FURNACES	TOTAL ¹	SENS. ¹	SEER ²	EER ³		
ASX16 0421F* (cont.)	CA*F4961*6D*+TXV	A*EH800805C*A*	41,000	31,200	15.50	12.50	1,350	6946037
	CA*F4961*6D*+TXV	A*EH800805D*A*	40,000	30,400	16.00	13.00	1,300	6946038
	CA*F4961*6D*+TXV	A*EH801005C*A*	41,000	31,200	15.00	12.50	1,420	6946039
	CA*F4961*6D*+TXV	AMEH960805CXA*	41,000	31,200	15.50	12.50	1,325	6946040
	CA*F4961*6D*+TXV	AMEH961005DXA*	40,000	30,400	16.00	13.00	1,200	6946041
	CAPT4961*4A*	A*VC950905CXB*	41,000	31,200	15.00	12.50	1,280	6944773
	CAPT4961*4A*	G*VC950905CXB*	41,000	31,200	15.00	12.50	1,280	6944774
	CAPT4961*4A*	G*E80603B*B*	41,000	31,200	14.00	12.00	1,355	6950284
	CAPT4961*4A*	G*E80805C*B*	41,000	31,200	15.00	12.50	1,350	6950287
	CAPT4961*4A*	G*E80805D*A*	41,000	31,200	15.00	12.50	1,300	6950293
	CAPT4961*4A*	G*E81005C*B*	41,000	31,200	15.00	12.50	1,420	6950302
	CAPT4961*4A*	A*VC80604B*B*	41,000	31,200	15.00	12.50	1,410	6950314
	CAPT4961*4A*	G*VC80604B*B*	41,000	31,200	15.00	12.50	1,410	6950316
	CAPT4961*4A*	A*VC80805C*B*	41,000	31,200	15.00	12.50	1,190	6950328
	CAPT4961*4A*	G*VC80805C*B*	41,000	31,200	15.00	12.50	1,190	6950330
	CAPT4961*4A*	A*VC81005C*B*	41,000	31,200	15.00	12.50	1,370	6950340
	CAPT4961*4A*	G*VC81005C*B*	41,000	31,200	15.00	12.50	1,370	6950342
	CAPT4961*4A*	A*VC950714CXB*	41,000	31,200	15.00	12.50	1,285	6950383
	CAPT4961*4A*	G*VC950714CXB*	41,000	31,200	15.00	12.50	1,285	6950386
	CAPT4961*4A*	A*VC950905DXB*	41,000	31,200	15.00	12.50	1,400	6950422
	CAPT4961*4A*	G*VC950905DXB*	41,000	31,200	15.00	12.50	1,400	6950424
	CAPT4961*4A*	A*VC950915DXB*	41,000	31,200	15.00	12.50	1,200	6950445
	CAPT4961*4A*	G*VC950915DXB*	41,000	31,200	15.00	12.50	1,200	6950447
	CAPT4961*4A*	A*VC951155DXB*	41,000	31,200	15.00	12.50	1,400	6950468
	CAPT4961*4A*	G*VC951155DXB*	41,000	31,200	15.00	12.50	1,400	6950470
	CAPT4961*4A*	A*VM960603BXB*	41,000	31,200	14.00	12.00	1,355	6950486
	CAPT4961*4A*	G*VM960603BXB*	41,000	31,200	14.00	12.00	1,355	6950489
	CAPT4961*4A*	A*VM960604CXB*	41,000	31,200	15.00	12.50	1,460	6950500
	CAPT4961*4A*	G*VM960604CXB*	41,000	31,200	15.00	12.50	1,460	6950503
	CAPT4961*4A*	A*VM960805CXB*	41,000	31,200	15.00	12.50	1,290	6950523
	CAPT4961*4A*	G*VM960805CXB*	41,000	31,200	15.00	12.50	1,290	6950526
	CAPT4961*4A*	A*VM960805DXB*	41,000	31,200	15.00	12.50	1,420	6950546
	CAPT4961*4A*	G*VM960805DXB*	41,000	31,200	15.00	12.50	1,420	6950549
	CAPT4961*4A*	A*VM961005DXB*	41,000	31,200	15.00	12.50	1,400	6950569
	CAPT4961*4A*	G*VM961005DXB*	41,000	31,200	15.00	12.50	1,400	6950572
	CAPT4961*4A*	A*VM961155DXB*	40,500	30,800	15.00	12.50	1,400	6950590
	CAPT4961*4A*	G*VM961155DXB*	40,500	30,800	15.00	12.50	1,400	6950592
	CAPT4961*4A*	ADVC80805C*B*	41,000	31,200	15.00	12.50	1,250	6950608
	CAPT4961*4A*	ADVC81005C*B*	41,000	31,200	15.00	12.50	1,400	6950618
	CAPT4961*4A*	GME950805CXA*	40,500	30,800	15.00	12.50	1,325	6950627
	CAPT4961*4A*	GME951005DXA*	40,000	30,400	15.00	12.50	1,200	6950638
	CAPT4961*4A*+EEP		41,000	31,200	15.00	12.50	1,400	5988411
	CAPT4961*4A*+MBVC1600**-1A*		41,000	31,200	15.00	12.50	1,375	6950281
	CAPT4961*4A*+MBVC2000**-1A*		41,000	31,200	16.00	13.00	1,335	5988412
	CHPF3743C6B*+EEP		40,000	30,400	14.00	12.00	1,400	5988413
	CHPF3743C6B*+EEP+TXV		41,500	31,600	14.50	12.00	1,300	5753125
	CHPF3743D6B*+EEP		40,000	30,400	14.00	12.00	1,400	5990715
	CHPF3743D6B*+EEP+TXV		40,000	30,400	14.50	12.00	1,400	5988414
	CHPF4860D6D*	G*E80805C*B*	40,000	30,400	15.00	12.50	1,350	5988424
	CHPF4860D6D*	G*E80805D*A*	40,000	30,400	15.50	12.50	1,310	5988429
CHPF4860D6D*	G*E81005C*B*	40,500	30,800	14.50	12.00	1,420	5988434	
CHPF4860D6D*	G*VC80805C*B*	41,000	31,200	15.00	12.50	1,190	5988440	
CHPF4860D6D*	G*VC81005C*B*	39,000	29,600	14.50	12.00	1,370	5988445	
CHPF4860D6D*	G*VC950704CXB*	41,000	31,200	14.00	12.00	1,320	5988452	
CHPF4860D6D*	G*VC950905CXB*	40,000	30,400	15.00	12.50	1,280	5988464	
CHPF4860D6D*	G*VC950905DXB*	40,000	30,400	15.00	12.50	1,420	5988473	

See Notes on Page 60.

AHRI RATINGS (CONT.)

OUTDOOR UNIT	INDOOR UNITS		COOLING RATINGS				CFM	AHRI #
	COILS/AIR HANDLERS	FURNACES	TOTAL ¹	SENS. ¹	SEER ²	EER ³		
ASX16 0421F* (cont.)	CHPF4860D6D*	G*VC951155DXB*	40,000	30,400	14.50	12.00	1,400	5988485
	CHPF4860D6D*	G*VM960604CXB*	40,000	30,400	14.00	12.00	1,460	5988493
	CHPF4860D6D*	G*VM960805CXB*	40,000	30,400	14.50	12.00	1,290	5988499
	CHPF4860D6D*	G*VM960805DXB*	40,000	30,400	15.00	12.50	1,420	5988506
	CHPF4860D6D*	G*VM961005DXB*	40,000	30,400	14.50	12.00	1,400	5988512
	CHPF4860D6D*	G*VM961155DXB*	40,000	30,400	14.50	12.00	1,400	5988519
	CHPF4860D6D*	GME950805CXA*	40,000	30,400	15.00	12.50	1,325	5988535
	CHPF4860D6D*	GME951005DXA*	40,000	30,400	15.50	12.50	1,250	5988542
	CHPF4860D6D*	A*VC80805C*B*	41,000	31,200	15.00	12.50	1,190	5989123
	CHPF4860D6D*	A*VC81005C*B*	39,000	29,600	14.50	12.00	1,370	5989128
	CHPF4860D6D*	A*VC950704CXB*	41,000	31,200	14.00	12.00	1,320	5989135
	CHPF4860D6D*	A*VC950905CXB*	40,000	30,400	15.00	12.50	1,280	5989147
	CHPF4860D6D*	A*VC950905DXB*	40,000	30,400	15.00	12.50	1,420	5989155
	CHPF4860D6D*	A*VC951155DXB*	40,000	30,400	14.50	12.00	1,400	5989166
	CHPF4860D6D*	A*VM960604CXB*	40,000	30,400	14.00	12.00	1,460	5989174
	CHPF4860D6D*	A*VM960805CXB*	40,000	30,400	14.50	12.00	1,290	5989180
	CHPF4860D6D*	A*VM960805DXB*	40,000	30,400	15.00	12.50	1,420	5989187
	CHPF4860D6D*	A*VM961005DXB*	40,000	30,400	14.50	12.00	1,400	5989193
	CHPF4860D6D*	A*VM961155DXB*	40,000	30,400	14.50	12.00	1,400	5989200
	CHPF4860D6D*	A*EH800805C*A*	40,000	30,400	15.00	12.50	1,350	6946042
	CHPF4860D6D*	A*EH800805D*A*	40,000	30,400	15.50	12.50	1,310	6946043
	CHPF4860D6D*	A*EH801005C*A*	40,500	30,800	14.50	12.00	1,420	6946044
	CHPF4860D6D*	AMEH960805CXA*	40,000	30,400	15.00	12.50	1,325	6946045
	CHPF4860D6D*	AMEH961005DXA*	40,000	30,400	15.50	12.50	1,250	6946046
	CHPF4860D6D*+EEP		40,000	30,400	14.00	12.00	1,400	5988415
	CHPF4860D6D*+EEP+TXV		41,000	31,200	15.00	12.50	1,200	5753126
	CHPF4860D6D*+MBVC2000*-1A*		40,000	30,400	15.50	12.50	1,335	5988416
	CHPF4860D6D*+MBVC2000*-1A*+TXV		40,000	30,400	16.00	13.00	1,335	5988417
	CHPF4860D6D*+TXV	G*E80805D*A*	40,000	30,400	16.00	13.00	1,300	5753128
	CHPF4860D6D*+TXV	A*VC950905DXB*	41,000	31,200	16.00	13.00	1,300	5753130
	CHPF4860D6D*+TXV	G*E80805C*B*	40,000	30,400	15.50	12.50	1,350	5988425
	CHPF4860D6D*+TXV	G*E81005C*B*	40,500	30,800	15.00	12.50	1,420	5988435
	CHPF4860D6D*+TXV	G*VC80805C*B*	41,000	31,200	15.50	12.50	1,190	5988441
	CHPF4860D6D*+TXV	G*VC81005C*B*	40,000	30,400	15.00	12.50	1,370	5988446
	CHPF4860D6D*+TXV	G*VC950704CXB*	41,000	31,200	14.50	12.00	1,320	5988453
	CHPF4860D6D*+TXV	G*VC950905CXB*	41,500	31,600	15.00	12.50	1,280	5988465
	CHPF4860D6D*+TXV	G*VC950905DXB*	41,000	31,200	16.00	13.00	1,300	5988474
	CHPF4860D6D*+TXV	G*VC951155DXB*	40,500	30,800	16.00	13.00	1,300	5988486
	CHPF4860D6D*+TXV	G*VM960604CXB*	40,000	30,400	15.50	12.50	1,460	5988494
	CHPF4860D6D*+TXV	G*VM960805CXB*	41,500	31,600	15.00	12.50	1,290	5988500
	CHPF4860D6D*+TXV	G*VM960805DXB*	41,500	31,600	15.00	12.50	1,420	5988507
	CHPF4860D6D*+TXV	G*VM961005DXB*	40,500	30,800	16.00	13.00	1,300	5988513
	CHPF4860D6D*+TXV	G*VM961155DXB*	40,500	30,800	16.00	13.00	1,300	5988520
	CHPF4860D6D*+TXV	GME950805CXA*	41,000	31,200	15.50	12.50	1,325	5988536
	CHPF4860D6D*+TXV	A*VC80805C*B*	41,000	31,200	15.50	12.50	1,190	5989124
	CHPF4860D6D*+TXV	A*VC81005C*B*	40,000	30,400	15.00	12.50	1,370	5989129
	CHPF4860D6D*+TXV	A*VC950704CXB*	41,000	31,200	14.50	12.00	1,320	5989136
CHPF4860D6D*+TXV	A*VC950905CXB*	41,500	31,600	15.00	12.50	1,280	5989148	
CHPF4860D6D*+TXV	A*VC951155DXB*	40,500	30,800	16.00	13.00	1,300	5989167	
CHPF4860D6D*+TXV	A*VM960604CXB*	40,000	30,400	15.50	12.50	1,460	5989175	
CHPF4860D6D*+TXV	A*VM960805CXB*	41,500	31,600	15.00	12.50	1,290	5989181	
CHPF4860D6D*+TXV	A*VM960805DXB*	41,500	31,600	15.00	12.50	1,420	5989188	
CHPF4860D6D*+TXV	A*VM961005DXB*	40,500	30,800	16.00	13.00	1,300	5989194	
CHPF4860D6D*+TXV	A*VM961155DXB*	40,500	30,800	16.00	13.00	1,300	5989201	
CHPF4860D6D*+TXV	GME951005DXA*	40,000	30,400	16.00	13.00	1,200	6090113	
CHPF4860D6D*+TXV	A*EH800805C*A*	40,000	30,400	15.50	12.50	1,350	6946047	

See Notes on Page 60.

AHRI RATINGS (CONT.)

OUTDOOR UNIT	INDOOR UNITS		COOLING RATINGS				CFM	AHRI #
	COILS/AIR HANDLERS	FURNACES	TOTAL ¹	SENS. ¹	SEER ²	EER ³		
ASX16 0421F* (cont.)	CHPF4860D6D*+TXV	A*EH800805D*A*	40,000	30,400	16.00	13.00	1,300	6946048
	CHPF4860D6D*+TXV	A*EH801005C*A*	40,500	30,800	15.00	12.50	1,420	6946049
	CHPF4860D6D*+TXV	AMEH960805CXA*	41,000	31,200	15.50	12.50	1,325	6946050
	CHPF4860D6D*+TXV	AMEH961005DXA*	40,000	30,400	16.00	13.00	1,200	6946051
	CSCF4860N6D*	G*VC950704CXB*	40,000	30,400	14.00	12.00	1,320	5988454
	CSCF4860N6D*	G*VC950905CXB*	40,000	30,400	14.00	12.00	1,280	5988466
	CSCF4860N6D*	G*VC950905DXB*	40,000	30,400	15.00	12.50	1,420	5988475
	CSCF4860N6D*	G*VC951155DXB*	40,000	30,400	14.00	12.00	1,400	5988487
	CSCF4860N6D*	A*VC950704CXB*	40,000	30,400	14.00	12.00	1,320	5989137
	CSCF4860N6D*	A*VC950905CXB*	40,000	30,400	14.00	12.00	1,280	5989149
	CSCF4860N6D*	A*VC950905DXB*	40,000	30,400	15.00	12.50	1,420	5989156
	CSCF4860N6D*	A*VC951155DXB*	40,000	30,400	14.00	12.00	1,400	5989168
	CSCF4860N6D*+EEP		40,000	30,400	14.00	12.00	1,400	5988418
	CSCF4860N6D*+EEP+TXV		40,000	30,400	14.50	12.00	1,400	5988419
	CSCF4860N6D*+TXV	G*VC950704CXB*	40,000	30,400	14.50	12.00	1,320	5988455
	CSCF4860N6D*+TXV	G*VC950905CXB*	41,000	31,200	14.50	12.00	1,280	5988467
	CSCF4860N6D*+TXV	G*VC950905DXB*	40,500	30,800	16.00	13.00	1,300	5988476
	CSCF4860N6D*+TXV	G*VC951155DXB*	40,500	30,800	16.00	13.00	1,300	5988488
	CSCF4860N6D*+TXV	A*VC950704CXB*	40,000	30,400	14.50	12.00	1,320	5989138
	CSCF4860N6D*+TXV	A*VC950905CXB*	41,000	31,200	14.50	12.00	1,280	5989150
	CSCF4860N6D*+TXV	A*VC950905DXB*	40,500	30,800	16.00	13.00	1,300	5989157
	CSCF4860N6D*+TXV	A*VC951155DXB*	40,500	30,800	16.00	13.00	1,300	5989169
	CSCF4860N6D*+TXV	A*VM961155DXB*	40,500	30,800	16.00	13.00	1,300	6521094
	CSCF4860N6D*+TXV	G*VM961155DXB*	40,500	30,800	16.00	13.00	1,300	6521095
	CSCF4860N6D*+TXV	G*VM961005DXB*	40,500	30,800	16.00	13.00	1,300	6521096
	CSCF4860N6D*+TXV	A*VM961005DXB*	40,500	30,800	16.00	13.00	1,300	6521097
DV48PTCC14A*		40,000	30,400	14.50	12.00	1,300	7041751	
ASX16 0481F*	ARPT48D14A*		45,000	34,200	14.50	12.00	1,435	5988543
	ARPT60D14A*		45,000	34,200	14.50	12.00	1,455	5988544
	ARUF48D14A*		44,500	34,000	14.00	12.00	1,480	5988545
	ARUF60D14A*		44,500	34,000	14.00	12.00	1,355	5988546
	ASPT48C14A*		43,000	32,800	14.00	12.00	1,400	7041752
	ASPT48D14A*		45,000	34,200	16.00	13.00	1,400	5756185
	ASUF49C14A*		43,000	32,800	13.50	11.50	1,435	5988547
	ASUF49C14A*+TXV		43,000	32,800	14.00	11.50	1,435	5988548
	AVPTC48C14A*		43,000	32,800	14.00	12.00	1,445	7041753
	AVPTC48D14A*		45,000	34,200	16.00	13.00	1,350	5924387
	CA*F4860*6D*	G*E80805C*B*	44,000	33,600	14.50	12.00	1,480	5988564
	CA*F4860*6D*	G*E80805D*A*	44,000	33,600	15.00	12.50	1,490	5988572
	CA*F4860*6D*	G*E81005C*B*	44,000	33,600	14.50	12.00	1,390	5988578
	CA*F4860*6D*	G*VC80805C*B*	44,000	33,600	14.50	12.00	1,385	5988586
	CA*F4860*6D*	G*VC81005C*B*	44,000	33,600	14.50	12.00	1,520	5988592
	CA*F4860*6D*	G*VC950905CXB*	44,000	33,600	14.50	12.00	1,440	5988598
	CA*F4860*6D*	G*VC950905DXB*	44,000	33,600	14.50	12.00	1,420	5988606
	CA*F4860*6D*	G*VC950915DXB*	44,000	33,600	15.00	12.50	1,425	5988614
	CA*F4860*6D*	G*VC951155DXB*	44,000	33,600	15.00	12.50	1,395	5988618
	CA*F4860*6D*	G*VM960805CXB*	44,000	33,600	14.50	12.00	1,440	5988626
	CA*F4860*6D*	G*VM960805DXB*	44,000	33,600	14.50	12.00	1,410	5988631
	CA*F4860*6D*	G*VM961005DXB*	44,000	33,600	14.50	12.00	1,395	5988637
	CA*F4860*6D*	G*VM961155DXB*	44,000	33,600	15.00	12.50	1,395	5988642
	CA*F4860*6D*	GME950805CXA*	44,000	33,600	14.50	12.00	1,485	5988654
	CA*F4860*6D*	GME951005DXA*	44,000	33,600	15.00	12.50	1,470	5988660
	CA*F4860*6D*	A*VC80805C*B*	44,000	33,600	14.50	12.00	1,385	5989202
CA*F4860*6D*	A*VC81005C*B*	44,000	33,600	14.50	12.00	1,520	5989208	
CA*F4860*6D*	A*VC950905CXB*	44,000	33,600	14.50	12.00	1,440	5989214	
CA*F4860*6D*	A*VC950905DXB*	44,000	33,600	14.50	12.00	1,420	5989222	
CA*F4860*6D*	A*VC950915DXB*	44,000	33,600	15.00	12.50	1,425	5989230	

See Notes on Page 60.

AHRI RATINGS (CONT.)

OUTDOOR UNIT	INDOOR UNITS		COOLING RATINGS				CFM	AHRI #
	COILS/AIR HANDLERS	FURNACES	TOTAL ¹	SENS. ¹	SEER ²	EER ³		
ASX16 0481F* (cont.)	CA*F4860*6D*	A*VC951155DXB*	44,000	33,600	15.00	12.50	1,395	5989234
	CA*F4860*6D*	A*VM960805CXB*	44,000	33,600	14.50	12.00	1,440	5989240
	CA*F4860*6D*	A*VM960805DXB*	44,000	33,600	14.50	12.00	1,410	5989245
	CA*F4860*6D*	A*VM961005DXB*	44,000	33,600	14.50	12.00	1,395	5989251
	CA*F4860*6D*	A*VM961155DXB*	44,000	33,600	15.00	12.50	1,395	5989256
	CA*F4860*6D*	A*EH800805C*A*	44,000	33,600	14.50	12.00	1,480	6946052
	CA*F4860*6D*	A*EH800805D*A*	44,000	33,600	15.00	12.50	1,490	6946053
	CA*F4860*6D*	A*EH801005C*A*	44,000	33,600	14.50	12.00	1,390	6946054
	CA*F4860*6D*	AMEH960805CXA*	44,000	33,600	14.50	12.00	1,485	6946055
	CA*F4860*6D*	AMEH961005DXA*	44,000	33,600	15.00	12.50	1,470	6946056
	CA*F4860*6D*+EEP		44,000	33,600	14.00	12.00	1,500	5988549
	CA*F4860*6D*+EEP+TXV		44,000	33,600	14.50	12.00	1,500	5988550
	CA*F4860*6D*+MBVC2000**-1A*		44,000	33,600	15.00	12.50	1,475	5988551
	CA*F4860*6D*+MBVC2000**-1A*+TXV		44,000	33,600	15.50	12.50	1,475	5988552
	CA*F4860*6D*+TXV	G*E80805C*B*	44,000	33,600	15.00	12.50	1,480	5988565
	CA*F4860*6D*+TXV	G*E80805D*A*	44,000	33,600	15.50	12.50	1,490	5988573
	CA*F4860*6D*+TXV	G*E81005C*B*	44,000	33,600	15.00	12.50	1,390	5988579
	CA*F4860*6D*+TXV	G*VC80805C*B*	44,000	33,600	15.00	12.50	1,385	5988587
	CA*F4860*6D*+TXV	G*VC81005C*B*	44,000	33,600	15.00	12.50	1,520	5988593
	CA*F4860*6D*+TXV	G*VC950905CXB*	44,000	33,600	15.00	12.50	1,440	5988599
	CA*F4860*6D*+TXV	G*VC950905DXB*	44,000	33,600	15.00	12.50	1,420	5988607
	CA*F4860*6D*+TXV	G*VC950915DXB*	44,000	33,600	15.50	12.50	1,425	5988615
	CA*F4860*6D*+TXV	G*VC951155DXB*	44,000	33,600	15.50	12.50	1,395	5988619
	CA*F4860*6D*+TXV	G*VM960805DXB*	44,000	33,600	15.00	12.50	1,410	5988632
	CA*F4860*6D*+TXV	G*VM961005DXB*	44,000	33,600	15.00	12.50	1,395	5988638
	CA*F4860*6D*+TXV	G*VM961155DXB*	44,000	33,600	15.00	12.50	1,395	5988643
	CA*F4860*6D*+TXV	ADVC80805C*B*	44,000	33,600	15.50	12.50	1,495	5988648
	CA*F4860*6D*+TXV	ADVC81005C*B*	44,000	33,600	15.50	12.50	1,405	5988651
	CA*F4860*6D*+TXV	GME950805CXA*	44,000	33,600	15.00	12.50	1,485	5988655
	CA*F4860*6D*+TXV	GME951005DXA*	44,000	33,600	15.50	12.50	1,470	5988661
	CA*F4860*6D*+TXV	A*VC80805C*B*	44,000	33,600	15.00	12.50	1,385	5989203
	CA*F4860*6D*+TXV	A*VC81005C*B*	44,000	33,600	15.00	12.50	1,520	5989209
	CA*F4860*6D*+TXV	A*VC950905CXB*	44,000	33,600	15.00	12.50	1,440	5989215
	CA*F4860*6D*+TXV	A*VC950905DXB*	44,000	33,600	15.00	12.50	1,420	5989223
	CA*F4860*6D*+TXV	A*VC950915DXB*	44,000	33,600	15.50	12.50	1,425	5989231
	CA*F4860*6D*+TXV	A*VC951155DXB*	44,000	33,600	15.50	12.50	1,395	5989235
	CA*F4860*6D*+TXV	A*VM960805DXB*	44,000	33,600	15.00	12.50	1,410	5989246
	CA*F4860*6D*+TXV	A*VM961005DXB*	44,000	33,600	15.00	12.50	1,395	5989252
	CA*F4860*6D*+TXV	A*VM961155DXB*	44,000	33,600	15.00	12.50	1,395	5989257
	CA*F4860*6D*+TXV	A*EH800805C*A*	44,000	33,600	15.00	12.50	1,480	6946057
	CA*F4860*6D*+TXV	A*EH800805D*A*	44,000	33,600	15.50	12.50	1,490	6946058
	CA*F4860*6D*+TXV	A*EH801005C*A*	44,000	33,600	15.00	12.50	1,390	6946059
	CA*F4860*6D*+TXV	AMEH960805CXA*	44,000	33,600	15.00	12.50	1,485	6946060
	CA*F4860*6D*+TXV	AMEH961005DXA*	44,000	33,600	15.50	12.50	1,470	6946061
	CA*F4961*6D*	G*E80805C*B*	44,500	34,000	15.00	12.50	1,480	5988566
	CA*F4961*6D*	G*E80805D*A*	44,500	34,000	15.50	12.50	1,490	5988574
	CA*F4961*6D*	G*E81005C*B*	44,500	34,000	15.00	12.50	1,390	5988580
	CA*F4961*6D*	G*VC80805C*B*	44,500	34,000	15.00	12.50	1,385	5988588
	CA*F4961*6D*	G*VC81005C*B*	44,500	34,000	15.00	12.50	1,520	5988594
	CA*F4961*6D*	G*VC950905CXB*	44,500	34,000	15.00	12.50	1,440	5988600
	CA*F4961*6D*	G*VC950905DXB*	44,500	34,000	15.00	12.50	1,420	5988608
	CA*F4961*6D*	G*VC950915DXB*	44,500	34,000	15.00	12.50	1,425	5988616
CA*F4961*6D*	G*VC951155DXB*	44,500	34,000	15.00	12.50	1,395	5988620	
CA*F4961*6D*	G*VM960805CXB*	44,500	34,000	15.00	12.50	1,440	5988627	
CA*F4961*6D*	G*VM960805DXB*	44,500	34,000	15.00	12.50	1,410	5988633	
CA*F4961*6D*	G*VM961155DXB*	44,500	34,000	15.00	12.50	1,395	5988644	
CA*F4961*6D*	GME950805CXA*	44,500	34,000	14.50	12.00	1,485	5988656	

See Notes on Page 60.

AHRI RATINGS (CONT.)

OUTDOOR UNIT	INDOOR UNITS		COOLING RATINGS				CFM	AHRI #
	COILS/AIR HANDLERS	FURNACES	TOTAL ¹	SENS. ¹	SEER ²	EER ³		
ASX16 0481F* (cont.)	CA*F4961*6D*	GME951005DXA*	44,500	34,000	15.50	12.50	1,470	5988662
	CA*F4961*6D*	A*VC80805C*B*	44,500	34,000	15.00	12.50	1,385	5989204
	CA*F4961*6D*	A*VC81005C*B*	44,500	34,000	15.00	12.50	1,520	5989210
	CA*F4961*6D*	A*VC950905CXB*	44,500	34,000	15.00	12.50	1,440	5989216
	CA*F4961*6D*	A*VC950905DXB*	44,500	34,000	15.00	12.50	1,420	5989224
	CA*F4961*6D*	A*VC950915DXB*	44,500	34,000	15.00	12.50	1,425	5989232
	CA*F4961*6D*	A*VC951155DXB*	44,500	34,000	15.00	12.50	1,395	5989236
	CA*F4961*6D*	A*VM960805CXB*	44,500	34,000	15.00	12.50	1,440	5989241
	CA*F4961*6D*	A*VM960805DXB*	44,500	34,000	15.00	12.50	1,410	5989247
	CA*F4961*6D*	A*VM961155DXB*	44,500	34,000	15.00	12.50	1,395	5989258
	CA*F4961*6D*	A*EH800805C*A*	44,500	34,000	15.00	12.50	1,480	6946062
	CA*F4961*6D*	A*EH800805D*A*	44,500	34,000	15.50	12.50	1,490	6946063
	CA*F4961*6D*	A*EH801005C*A*	44,500	34,000	15.00	12.50	1,390	6946064
	CA*F4961*6D*	AMEH960805CXA*	44,500	34,000	14.50	12.00	1,485	6946065
	CA*F4961*6D*	AMEH961005DXA*	44,500	34,000	15.50	12.50	1,470	6946066
	CA*F4961*6D*+EEP		44,500	34,000	14.00	12.00	1,500	5988553
	CA*F4961*6D*+EEP+TXV		45,500	34,600	14.50	12.00	1,500	5753131
	CA*F4961*6D*+MBVC2000**-1A*		44,500	34,000	15.50	12.50	1,475	5988554
	CA*F4961*6D*+MBVC2000**-1A*+TXV		44,500	34,000	16.00	13.00	1,475	5988555
	CA*F4961*6D*+TXV	G*E80805D*A*	44,500	34,000	16.00	13.00	1,300	5753133
	CA*F4961*6D*+TXV	A*VC951155DXB*	44,500	34,000	16.00	13.00	1,400	5753135
	CA*F4961*6D*+TXV	G*E80805C*B*	44,500	34,000	15.50	12.50	1,480	5988567
	CA*F4961*6D*+TXV	G*E81005C*B*	44,500	34,000	15.50	12.50	1,390	5988581
	CA*F4961*6D*+TXV	G*VC80805C*B*	44,500	34,000	15.50	12.50	1,385	5988589
	CA*F4961*6D*+TXV	G*VC81005C*B*	44,500	34,000	15.50	12.50	1,520	5988595
	CA*F4961*6D*+TXV	G*VC950905CXB*	44,500	34,000	15.50	12.50	1,440	5988601
	CA*F4961*6D*+TXV	G*VC950905DXB*	44,500	34,000	16.00	13.00	1,450	5988609
	CA*F4961*6D*+TXV	G*VC950915DXB*	44,500	34,000	15.50	12.50	1,425	5988617
	CA*F4961*6D*+TXV	G*VC951155DXB*	44,500	34,000	16.00	13.00	1,400	5988621
	CA*F4961*6D*+TXV	G*VM960805CXB*	44,500	34,000	15.50	12.50	1,440	5988628
	CA*F4961*6D*+TXV	G*VM960805DXB*	44,500	34,000	16.00	13.00	1,450	5988634
	CA*F4961*6D*+TXV	G*VM961005DXB*	44,500	34,000	16.00	13.00	1,400	5988639
	CA*F4961*6D*+TXV	G*VM961155DXB*	44,500	34,000	16.00	13.00	1,400	5988645
	CA*F4961*6D*+TXV	ADVC80805C*B*	44,500	34,000	16.00	13.00	1,495	5988649
	CA*F4961*6D*+TXV	ADVC81005C*B*	44,500	34,000	16.00	13.00	1,405	5988652
	CA*F4961*6D*+TXV	GME950805CXA*	44,500	34,000	15.00	12.50	1,485	5988657
	CA*F4961*6D*+TXV	A*VC80805C*B*	44,500	34,000	15.50	12.50	1,385	5989205
	CA*F4961*6D*+TXV	A*VC81005C*B*	44,500	34,000	15.50	12.50	1,520	5989211
	CA*F4961*6D*+TXV	A*VC950905CXB*	44,500	34,000	15.50	12.50	1,440	5989217
	CA*F4961*6D*+TXV	A*VC950905DXB*	44,500	34,000	16.00	13.00	1,450	5989225
	CA*F4961*6D*+TXV	A*VC950915DXB*	44,500	34,000	15.50	12.50	1,425	5989233
	CA*F4961*6D*+TXV	A*VM960805CXB*	44,500	34,000	15.50	12.50	1,440	5989242
	CA*F4961*6D*+TXV	A*VM960805DXB*	44,500	34,000	16.00	13.00	1,450	5989248
	CA*F4961*6D*+TXV	A*VM961005DXB*	44,500	34,000	16.00	13.00	1,400	5989253
	CA*F4961*6D*+TXV	A*VM961155DXB*	44,500	34,000	16.00	13.00	1,400	5989259
	CA*F4961*6D*+TXV	GME951005DXA*	45,000	34,200	16.00	13.00	1,400	6090115
	CA*F4961*6D*+TXV	A*EH800805C*A*	44,500	34,000	15.50	12.50	1,480	6946067
	CA*F4961*6D*+TXV	A*EH800805D*A*	44,500	34,000	16.00	13.00	1,300	6946068
CA*F4961*6D*+TXV	A*EH801005C*A*	44,500	34,000	15.50	12.50	1,390	6946069	
CA*F4961*6D*+TXV	AMEH960805CXA*	44,500	34,000	15.00	12.50	1,485	6946070	
CA*F4961*6D*+TXV	AMEH961005DXA*	45,000	34,200	16.00	13.00	1,400	6946071	
CAPT4961*4A*	G*E80805C*B*	44,000	33,600	15.00	12.50	1,480	6950289	
CAPT4961*4A*	G*E81005C*B*	44,500	34,000	15.00	12.50	1,390	6950305	
CAPT4961*4A*	A*VC80604B*B*	44,500	34,000	14.50	12.00	1,545	6950319	
CAPT4961*4A*	G*VC80604B*B*	44,500	34,000	14.50	12.00	1,545	6950321	
CAPT4961*4A*	G*VC80805C*B*	44,000	33,600	15.00	12.50	1,385	6950332	
CAPT4961*4A*	G*VC81005C*B*	44,000	33,600	15.00	12.50	1,520	6950344	

See Notes on Page 60.

AHRI RATINGS (CONT.)

OUTDOOR UNIT	INDOOR UNITS		COOLING RATINGS				CFM	AHRI #	
	COILS/AIR HANDLERS	FURNACES	TOTAL ¹	SENS. ¹	SEER ²	EER ³			
ASX16 0481F* (cont.)	CAPT4961*4A*	A*VC950704CXB*	44,000	33,600	15.00	12.50	1,485	6950360	
	CAPT4961*4A*	G*VC950704CXB*	44,000	33,600	15.00	12.50	1,485	6950363	
	CAPT4961*4A*	A*VC950714CXB*	44,500	34,000	14.50	12.00	1,530	6950388	
	CAPT4961*4A*	G*VC950714CXB*	44,500	34,000	14.50	12.00	1,530	6950390	
	CAPT4961*4A*	A*VC950905CXB*	44,500	34,000	14.50	12.00	1,440	6950404	
	CAPT4961*4A*	G*VC950905CXB*	44,500	34,000	14.50	12.00	1,440	6950406	
	CAPT4961*4A*	A*VC950905DXB*	44,500	34,000	15.00	12.50	1,450	6950427	
	CAPT4961*4A*	G*VC950905DXB*	44,500	34,000	15.00	12.50	1,450	6950429	
	CAPT4961*4A*	A*VC950915DXB*	44,500	34,000	15.00	12.50	1,425	6950450	
	CAPT4961*4A*	G*VC950915DXB*	44,500	34,000	15.00	12.50	1,425	6950452	
	CAPT4961*4A*	A*VC951155DXB*	44,500	34,000	15.00	12.50	1,400	6950473	
	CAPT4961*4A*	G*VC951155DXB*	44,500	34,000	15.00	12.50	1,400	6950475	
	CAPT4961*4A*	A*VM960604CXB*	44,000	33,600	15.00	12.50	1,490	6950505	
	CAPT4961*4A*	G*VM960604CXB*	44,000	33,600	15.00	12.50	1,490	6950507	
	CAPT4961*4A*	A*VM960805CXB*	44,500	34,000	14.50	12.00	1,440	6950528	
	CAPT4961*4A*	G*VM960805CXB*	44,500	34,000	14.50	12.00	1,440	6950530	
	CAPT4961*4A*	A*VM960805DXB*	44,500	34,000	15.00	12.50	1,450	6950551	
	CAPT4961*4A*	G*VM960805DXB*	44,500	34,000	15.00	12.50	1,450	6950553	
	CAPT4961*4A*	A*VM961005DXB*	44,500	34,000	15.00	12.50	1,400	6950574	
	CAPT4961*4A*	G*VM961005DXB*	44,500	34,000	15.00	12.50	1,400	6950576	
	CAPT4961*4A*	A*VM961155DXB*	44,500	34,000	15.00	12.50	1,400	6950595	
	CAPT4961*4A*	G*VM961155DXB*	44,500	34,000	15.00	12.50	1,400	6950597	
	CAPT4961*4A*	ADVC80805C*B*	44,000	33,600	15.00	12.50	1,495	6950611	
	CAPT4961*4A*	ADVC81005C*B*	44,000	34,000	15.00	12.50	1,405	6950620	
	CAPT4961*4A*	GME950805CXA*	44,500	34,000	14.50	12.00	1,485	6950629	
	CAPT4961*4A*	GME951005DXA*	44,000	33,600	15.00	12.50	1,400	6950641	
	CAPT4961*4A*+EEP			44,500	34,000	14.50	12.00	1,500	5988556
	CAPT4961*4A*+MBVC1600**-1A*			44,500	34,000	15.50	12.50	1,500	5988557
	CAPT4961*4A*+MBVC2000**-1A*			44,500	34,000	16.00	13.00	1,475	5988558
	CHPF4860D6D*		G*E80805C*B*	44,500	34,000	14.50	12.00	1,480	5988568
	CHPF4860D6D*		G*E80805D*A*	44,500	34,000	15.50	12.50	1,490	5988575
	CHPF4860D6D*		G*E81005C*B*	44,500	34,000	15.00	12.50	1,390	5988582
	CHPF4860D6D*		G*VC80805C*B*	44,500	34,000	15.00	12.50	1,385	5988590
	CHPF4860D6D*		G*VC81005C*B*	44,500	34,000	15.00	12.50	1,520	5988596
	CHPF4860D6D*		G*VC950905CXB*	44,500	34,000	15.00	12.50	1,440	5988602
	CHPF4860D6D*		G*VC950905DXB*	44,500	34,000	15.00	12.50	1,420	5988610
	CHPF4860D6D*		G*VC951155DXB*	44,500	34,000	15.00	12.50	1,395	5988622
	CHPF4860D6D*		G*VM960805CXB*	44,500	34,000	15.00	12.50	1,440	5988629
	CHPF4860D6D*		G*VM960805DXB*	44,500	34,000	15.00	12.50	1,410	5988635
	CHPF4860D6D*		G*VM961005DXB*	44,500	34,000	15.00	12.50	1,395	5988640
	CHPF4860D6D*		G*VM961155DXB*	44,500	34,000	15.00	12.50	1,395	5988646
	CHPF4860D6D*		GME950805CXA*	44,500	34,000	14.50	12.00	1,485	5988658
	CHPF4860D6D*		GME951005DXA*	44,500	34,000	15.50	12.50	1,470	5988663
	CHPF4860D6D*		A*VC80805C*B*	44,500	34,000	15.00	12.50	1,385	5989206
	CHPF4860D6D*		A*VC81005C*B*	44,500	34,000	15.00	12.50	1,520	5989212
	CHPF4860D6D*		A*VC950905CXB*	44,500	34,000	15.00	12.50	1,440	5989218
	CHPF4860D6D*		A*VC950905DXB*	44,500	34,000	15.00	12.50	1,420	5989226
	CHPF4860D6D*		A*VC951155DXB*	44,500	34,000	15.00	12.50	1,395	5989237
	CHPF4860D6D*		A*VM960805CXB*	44,500	34,000	15.00	12.50	1,440	5989243
	CHPF4860D6D*		A*VM960805DXB*	44,500	34,000	15.00	12.50	1,410	5989249
CHPF4860D6D*		A*VM961005DXB*	44,500	34,000	15.00	12.50	1,395	5989254	
CHPF4860D6D*		A*VM961155DXB*	44,500	34,000	15.00	12.50	1,395	5989260	
CHPF4860D6D*		A*EH800805C*A*	44,500	34,000	14.50	12.00	1,480	6946072	
CHPF4860D6D*		A*EH800805D*A*	44,500	34,000	15.50	12.50	1,490	6946073	
CHPF4860D6D*		A*EH801005C*A*	44,500	34,000	15.00	12.50	1,390	6946074	
CHPF4860D6D*		AMEH960805CXA*	44,500	34,000	14.50	12.00	1,485	6946075	
CHPF4860D6D*		AMEH961005DXA*	44,500	34,000	15.50	12.50	1,470	6946076	

See Notes on Page 60.

AHRI RATINGS (CONT.)

OUTDOOR UNIT	INDOOR UNITS		COOLING RATINGS				CFM	AHRI #
	COILS/AIR HANDLERS	FURNACES	TOTAL ¹	SENS. ¹	SEER ²	EER ³		
ASX16 0481F* (cont.)	CHPF4860D6D*+EEP		44,500	34,000	14.00	12.00	1,500	5988559
	CHPF4860D6D*+EEP+TXV		45,500	34,600	14.50	12.00	1,500	5753132
	CHPF4860D6D*+MBVC2000**-1A*		44,500	34,000	15.50	12.50	1,500	5988560
	CHPF4860D6D*+MBVC2000**-1A*+TXV		44,500	34,000	16.00	13.00	1,500	5988561
	CHPF4860D6D*+TXV	G*E80805D*A*	44,500	34,000	16.00	13.00	1,300	5753134
	CHPF4860D6D*+TXV	A*VC951155DXB*	44,500	34,000	16.00	13.00	1,400	5753136
	CHPF4860D6D*+TXV	G*E80805C*B*	44,500	34,000	15.00	12.50	1,480	5988569
	CHPF4860D6D*+TXV	G*E81005C*B*	44,500	34,000	15.50	12.50	1,390	5988583
	CHPF4860D6D*+TXV	G*VC80805C*B*	44,500	34,000	15.50	12.50	1,385	5988591
	CHPF4860D6D*+TXV	G*VC81005C*B*	44,500	34,000	15.50	12.50	1,520	5988597
	CHPF4860D6D*+TXV	G*VC950905CXB*	44,500	34,000	15.50	12.50	1,440	5988603
	CHPF4860D6D*+TXV	G*VC950905DXB*	44,500	34,000	16.00	13.00	1,450	5988611
	CHPF4860D6D*+TXV	G*VC951155DXB*	44,500	34,000	16.00	13.00	1,400	5988623
	CHPF4860D6D*+TXV	G*VM960805CXB*	44,500	34,000	15.50	12.50	1,440	5988630
	CHPF4860D6D*+TXV	G*VM960805DXB*	44,500	34,000	16.00	13.00	1,450	5988636
	CHPF4860D6D*+TXV	G*VM961005DXB*	44,500	34,000	16.00	13.00	1,400	5988641
	CHPF4860D6D*+TXV	G*VM961155DXB*	44,500	34,000	16.00	13.00	1,400	5988647
	CHPF4860D6D*+TXV	GME950805CXA*	44,500	34,000	15.00	12.50	1,485	5988659
	CHPF4860D6D*+TXV	A*VC80805C*B*	44,500	34,000	15.50	12.50	1,385	5989207
	CHPF4860D6D*+TXV	A*VC81005C*B*	44,500	34,000	15.50	12.50	1,520	5989213
	CHPF4860D6D*+TXV	A*VC950905CXB*	44,500	34,000	15.50	12.50	1,440	5989219
	CHPF4860D6D*+TXV	A*VC950905DXB*	44,500	34,000	16.00	13.00	1,450	5989227
	CHPF4860D6D*+TXV	A*VM960805CXB*	44,500	34,000	15.50	12.50	1,440	5989244
	CHPF4860D6D*+TXV	A*VM960805DXB*	44,500	34,000	16.00	13.00	1,450	5989250
	CHPF4860D6D*+TXV	A*VM961005DXB*	44,500	34,000	16.00	13.00	1,400	5989255
	CHPF4860D6D*+TXV	A*VM961155DXB*	44,500	34,000	16.00	13.00	1,400	5989261
	CHPF4860D6D*+TXV	GME951005DXA*	45,000	34,200	16.00	13.00	1,400	6090119
	CHPF4860D6D*+TXV	A*EH800805C*A*	44,500	34,000	15.00	12.50	1,480	6946077
	CHPF4860D6D*+TXV	A*EH800805D*A*	44,500	34,000	16.00	13.00	1,300	6946078
	CHPF4860D6D*+TXV	A*EH801005C*A*	44,500	34,000	15.50	12.50	1,390	6946079
	CHPF4860D6D*+TXV	AMEH960805CXA*	44,500	34,000	15.00	12.50	1,485	6946080
	CHPF4860D6D*+TXV	AMEH961005DXA*	45,000	34,200	16.00	13.00	1,400	6946081
	CSCF4860N6D*	G*E80805C*B*	44,000	33,600	14.50	12.00	1,480	5988570
	CSCF4860N6D*	G*E80805D*A*	44,000	33,600	15.00	12.50	1,490	5988576
	CSCF4860N6D*	G*E81005C*B*	44,000	33,600	14.50	12.00	1,390	5988584
	CSCF4860N6D*	G*VC950905CXB*	44,000	33,600	14.50	12.00	1,440	5988604
	CSCF4860N6D*	G*VC950905DXB*	44,000	33,600	14.50	12.00	1,420	5988612
	CSCF4860N6D*	G*VC951155DXB*	44,000	33,600	14.50	12.00	1,395	5988624
	CSCF4860N6D*	A*VC950905CXB*	44,000	33,600	14.50	12.00	1,440	5989220
	CSCF4860N6D*	A*VC950905DXB*	44,000	33,600	14.50	12.00	1,420	5989228
	CSCF4860N6D*	A*VC951155DXB*	44,000	33,600	14.50	12.00	1,395	5989238
	CSCF4860N6D*	A*EH800805C*A*	44,000	33,600	14.50	12.00	1,480	6946082
	CSCF4860N6D*	A*EH800805D*A*	44,000	33,600	15.00	12.50	1,490	6946083
	CSCF4860N6D*	A*EH801005C*A*	44,000	33,600	14.50	12.00	1,390	6946084
	CSCF4860N6D*+EEP		44,000	33,600	14.00	12.00	1,500	5988562
	CSCF4860N6D*+EEP+TXV		44,000	33,600	14.50	12.00	1,500	5988563
	CSCF4860N6D*+TXV	G*E80805C*B*	44,500	34,000	15.00	12.50	1,480	5988571
CSCF4860N6D*+TXV	G*E80805D*A*	44,500	34,000	15.50	12.50	1,490	5988577	
CSCF4860N6D*+TXV	G*E81005C*B*	44,500	34,000	15.00	12.50	1,390	5988585	
CSCF4860N6D*+TXV	G*VC950905CXB*	44,500	34,000	15.00	12.50	1,440	5988605	
CSCF4860N6D*+TXV	G*VC950905DXB*	44,500	34,000	16.00	13.00	1,450	5988613	
CSCF4860N6D*+TXV	G*VC951155DXB*	44,500	34,000	15.00	12.50	1,395	5988625	
CSCF4860N6D*+TXV	A*VC950905CXB*	44,500	34,000	15.00	12.50	1,440	5989221	

See Notes on Page 60.

AHRI RATINGS (CONT.)

OUTDOOR UNIT	INDOOR UNITS		COOLING RATINGS				CFM	AHRI #
	COILS/AIR HANDLERS	FURNACES	TOTAL ¹	SENS. ¹	SEER ²	EER ³		
ASX16 0481F* (cont.)	CSCF4860N6D*+TXV	A*VC950905DXB*	44,500	34,000	16.00	13.00	1,450	5989229
	CSCF4860N6D*+TXV	A*VC951155DXB*	44,500	34,000	15.00	12.50	1,395	5989239
	CSCF4860N6D*+TXV	G*VM961005DXB*	44,500	34,000	16.00	13.00	1,400	6521098
	CSCF4860N6D*+TXV	A*VM961005DXB*	44,500	34,000	16.00	13.00	1,400	6521099
	CSCF4860N6D*+TXV	A*EH800805C*A*	44,500	34,000	15.00	12.50	1,480	6946085
	CSCF4860N6D*+TXV	A*EH800805D*A*	44,500	34,000	15.50	12.50	1,490	6946086
	CSCF4860N6D*+TXV	A*EH801005C*A*	44,500	34,000	15.00	12.50	1,390	6946087
	DV48PTCC14A*		43,000	32,800	14.00	12.00	1,445	7041754
ASX16 0601F*	ARPT60D14A*		52,500	40,500	14.00	12.00	1,455	5988664
	ASPT60D14A*		54,000	41,500	16.00	13.00	1,600	5756186
	ASUF49C14A*		50,000	38,500	13.50	11.50	1,525	5988665
	ASUF49C14A*+TXV		50,000	38,500	13.50	11.50	1,525	5988666
	ASUF59D14A*		52,000	40,000	14.50	12.00	1,615	5988667
	ASUF59D14A*+TXV		52,000	40,000	15.00	12.50	1,615	5988668
	AVPTC60D14A*		54,000	41,500	16.00	13.00	1,580	5924388
	CA*F4860*6D*	G*VC950905CXB*	51,500	39,500	14.00	12.00	1,550	5988700
	CA*F4860*6D*	G*VC950905DXB*	51,500	39,500	14.00	12.00	1,540	5988708
	CA*F4860*6D*	G*VC950915DXB*	51,500	39,500	14.50	12.00	1,570	5988714
	CA*F4860*6D*	G*VC951155DXB*	51,500	39,500	14.00	12.00	1,540	5988716
	CA*F4860*6D*	G*VM960805CXB*	51,500	39,500	14.50	12.00	1,550	5988724
	CA*F4860*6D*	G*VM960805DXB*	51,500	39,500	14.50	12.00	1,675	5988728
	CA*F4860*6D*	G*VM961005DXB*	51,500	39,500	14.50	12.00	1,550	5988733
	CA*F4860*6D*	G*VM961155DXB*	51,500	39,500	14.50	12.00	1,550	5988737
	CA*F4860*6D*	A*VC950905CXB*	51,500	39,500	14.00	12.00	1,550	5989270
	CA*F4860*6D*	A*VC950905DXB*	51,500	39,500	14.00	12.00	1,540	5989278
	CA*F4860*6D*	A*VC950915DXB*	51,500	39,500	14.50	12.00	1,570	5989284
	CA*F4860*6D*	A*VC951155DXB*	51,500	39,500	14.00	12.00	1,540	5989286
	CA*F4860*6D*	A*VM960805CXB*	51,500	39,500	14.50	12.00	1,550	5989292
	CA*F4860*6D*	A*VM960805DXB*	51,500	39,500	14.50	12.00	1,675	5989296
	CA*F4860*6D*	A*VM961005DXB*	51,500	39,500	14.50	12.00	1,550	5989301
	CA*F4860*6D*	A*VM961155DXB*	51,500	39,500	14.50	12.00	1,550	5989305
	CA*F4860*6D*+EEP		51,500	39,500	14.00	12.00	1,675	5988669
	CA*F4860*6D*+EEP+TXV		53,000	40,500	14.50	12.00	1,675	5753138
	CA*F4860*6D*+MBVC2000**-1A*		51,500	39,500	14.50	12.00	1,630	5988670
	CA*F4860*6D*+MBVC2000**-1A*+TXV		51,500	39,500	15.00	12.50	1,630	5988671
	CA*F4860*6D*+TXV	G*VC950905CXB*	51,500	39,500	14.50	12.00	1,550	5988701
	CA*F4860*6D*+TXV	G*VC950905DXB*	51,500	39,500	14.50	12.00	1,540	5988709
	CA*F4860*6D*+TXV	G*VC950915DXB*	51,500	39,500	15.00	12.50	1,570	5988715
	CA*F4860*6D*+TXV	G*VC951155DXB*	51,500	39,500	14.50	12.00	1,540	5988717
	CA*F4860*6D*+TXV	A*VC950905CXB*	51,500	39,500	14.50	12.00	1,550	5989271
	CA*F4860*6D*+TXV	A*VC950905DXB*	51,500	39,500	14.50	12.00	1,540	5989279
	CA*F4860*6D*+TXV	A*VC950915DXB*	51,500	39,500	15.00	12.50	1,570	5989285
	CA*F4860*6D*+TXV	A*VC951155DXB*	51,500	39,500	14.50	12.00	1,540	5989287
	CA*F4961*6D*	G*VC80805C*B*	52,000	40,000	14.50	12.00	1,520	5988692
	CA*F4961*6D*	G*VC81005C*B*	52,000	40,000	14.50	12.00	1,500	5988695
	CA*F4961*6D*	G*VC950905CXB*	52,000	40,000	14.50	12.00	1,550	5988702
	CA*F4961*6D*	G*VC950905DXB*	52,000	40,000	14.00	12.00	1,540	5988710
	CA*F4961*6D*	G*VC951155DXB*	52,000	40,000	14.50	12.00	1,540	5988718
	CA*F4961*6D*	G*VM960805CXB*	52,000	40,000	14.50	12.00	1,550	5988725
	CA*F4961*6D*	G*VM960805DXB*	52,000	40,000	14.50	12.00	1,675	5988729
CA*F4961*6D*	G*VM961005DXB*	52,000	40,000	14.50	12.00	1,550	5988734	
CA*F4961*6D*	G*VM961155DXB*	52,000	40,000	14.50	12.00	1,550	5988738	
CA*F4961*6D*	A*VC80805C*B*	52,000	40,000	14.50	12.00	1,520	5989262	
CA*F4961*6D*	A*VC81005C*B*	52,000	40,000	14.50	12.00	1,500	5989265	
CA*F4961*6D*	A*VC950905CXB*	52,000	40,000	14.50	12.00	1,550	5989272	
CA*F4961*6D*	A*VC950905DXB*	52,000	40,000	14.00	12.00	1,540	5989280	

See Notes on Page 60.

AHRI RATINGS (CONT.)

OUTDOOR UNIT	INDOOR UNITS		COOLING RATINGS				CFM	AHRI #
	COILS/AIR HANDLERS	FURNACES	TOTAL ¹	SENS. ¹	SEER ²	EER ³		
ASX16 0601F* (cont.)	CA*F4961*6D*	A*VC951155DXB*	52,000	40,000	14.50	12.00	1,540	5989288
	CA*F4961*6D*	A*VM960805CXB*	52,000	40,000	14.50	12.00	1,550	5989293
	CA*F4961*6D*	A*VM960805DXB*	52,000	40,000	14.50	12.00	1,675	5989297
	CA*F4961*6D*	A*VM961005DXB*	52,000	40,000	14.50	12.00	1,550	5989302
	CA*F4961*6D*	A*VM961155DXB*	52,000	40,000	14.50	12.00	1,550	5989306
	CA*F4961*6D*	GME950805CXA*	52,000	40,000	14.50	12.00	1,580	6079813
	CA*F4961*6D*	GME951005DXA*	52,000	40,000	15.50	12.50	1,655	6079864
	CA*F4961*6D*	AMEH960805CXA*	52,000	40,000	14.50	12.00	1,580	6946088
	CA*F4961*6D*	AMEH961005DXA*	52,000	40,000	15.50	12.50	1,655	6946089
	CA*F4961*6D*+EEP		52,000	40,000	14.50	12.00	1,675	5988672
	CA*F4961*6D*+EEP+TXV		54,000	41,500	15.00	12.50	1,675	5753137
	CA*F4961*6D*+MBVC2000**-1A*		52,000	40,000	15.00	12.50	1,675	5988673
	CA*F4961*6D*+MBVC2000**-1A*+TXV		52,000	40,000	15.50	12.50	1,675	5988674
	CA*F4961*6D*+TXV	G*E80805D*A*	53,000	40,500	16.00	13.00	1,500	5753140
	CA*F4961*6D*+TXV	A*VC951155DXB*	52,000	40,000	16.00	13.00	1,450	5753142
	CA*F4961*6D*+TXV	G*E80805C*B*	52,000	40,000	15.00	12.50	1,645	5988681
	CA*F4961*6D*+TXV	G*E81005C*B*	52,000	40,000	15.00	12.50	1,690	5988687
	CA*F4961*6D*+TXV	G*VC81005C*B*	52,000	40,000	15.00	12.50	1,500	5988696
	CA*F4961*6D*+TXV	G*VC950905CXB*	52,000	40,000	15.00	12.50	1,550	5988703
	CA*F4961*6D*+TXV	G*VC951155DXB*	52,000	40,000	16.00	13.00	1,450	5988719
	CA*F4961*6D*+TXV	G*VM960805DXB*	52,000	40,000	15.00	12.50	1,675	5988730
	CA*F4961*6D*+TXV	G*VM961155DXB*	52,000	40,000	15.50	12.50	1,450	5988739
	CA*F4961*6D*+TXV	ADVC80805C*B*	52,000	40,000	15.00	12.50	1,585	5988742
	CA*F4961*6D*+TXV	ADVC81005C*B*	52,000	40,000	15.00	12.50	1,620	5988744
	CA*F4961*6D*+TXV	GME950805CXA*	52,000	40,000	15.00	12.50	1,580	5988747
	CA*F4961*6D*+TXV	A*VC81005C*B*	52,000	40,000	15.00	12.50	1,500	5989266
	CA*F4961*6D*+TXV	A*VC950905CXB*	52,000	40,000	15.00	12.50	1,550	5989273
	CA*F4961*6D*+TXV	A*VM960805DXB*	52,000	40,000	15.00	12.50	1,675	5989298
	CA*F4961*6D*+TXV	A*VM961155DXB*	52,000	40,000	15.50	12.50	1,450	5989307
	CA*F4961*6D*+TXV	GME951005DXA*	53,000	40,500	16.00	13.00	1,500	6090120
	CA*F4961*6D*+TXV	G*VC80805C*B*	52,000	40,000	15.20	12.50	1,520	6107314
	CA*F4961*6D*+TXV	G*VC950905DXB*	52,000	40,000	16.00	13.00	1,450	6107315
	CA*F4961*6D*+TXV	G*VC950915DXB*	52,000	40,000	15.20	12.50	1,570	6107316
	CA*F4961*6D*+TXV	G*VM960805CXB*	52,000	40,000	15.20	12.50	1,550	6107317
	CA*F4961*6D*+TXV	G*VM961005DXB*	52,000	40,000	16.00	13.00	1,450	6107318
	CA*F4961*6D*+TXV	A*VC80805C*B*	52,000	40,000	15.20	12.50	1,520	6107327
	CA*F4961*6D*+TXV	A*VC950905DXB*	52,000	40,000	16.00	13.00	1,450	6107328
	CA*F4961*6D*+TXV	A*VC950915DXB*	52,000	40,000	15.20	12.50	1,570	6107329
	CA*F4961*6D*+TXV	A*VM960805CXB*	52,000	40,000	15.20	12.50	1,550	6107330
	CA*F4961*6D*+TXV	A*VM961005DXB*	52,000	40,000	16.00	13.00	1,450	6107331
	CA*F4961*6D*+TXV	A*EH800805C*A*	52,000	40,000	15.00	12.50	1,645	6946090
	CA*F4961*6D*+TXV	A*EH800805D*A*	53,000	40,500	16.00	13.00	1,500	6946091
	CA*F4961*6D*+TXV	A*EH801005C*A*	52,000	40,000	15.00	12.50	1,690	6946092
	CA*F4961*6D*+TXV	AMEH960805CXA*	52,000	40,000	15.00	12.50	1,580	6946093
	CA*F4961*6D*+TXV	AMEH961005DXA*	53,000	40,500	16.00	13.00	1,500	6946094
	CAPT4961*4A*	G*VC80805C*B*	52,000	40,000	15.00	12.50	1,520	5988693
	CAPT4961*4A*	G*VC81005C*B*	52,000	40,000	15.00	12.50	1,500	5988697
	CAPT4961*4A*	ADVC80805C*B*	52,000	40,000	15.00	12.50	1,585	5988743
	CAPT4961*4A*	ADVC81005C*B*	52,000	40,000	15.00	12.50	1,620	5988745
	CAPT4961*4A*	A*VC80805C*B*	52,000	40,000	15.00	12.50	1,520	5989263
CAPT4961*4A*	A*VC81005C*B*	52,000	40,000	15.00	12.50	1,500	5989267	
CAPT4961*4A*	G*E80805C*B*	52,000	40,000	15.00	12.50	1,645	6950291	
CAPT4961*4A*	G*E80805D*A*	52,000	40,000	15.00	12.50	1,500	6950296	
CAPT4961*4A*	G*E81005C*B*	52,000	40,000	15.00	12.50	1,690	6950307	
CAPT4961*4A*	A*VC950704CXB*	52,000	40,000	14.50	12.00	1,650	6950365	
CAPT4961*4A*	G*VC950704CXB*	52,000	40,000	14.50	12.00	1,650	6950367	

See Notes on Page 60.

AHRI RATINGS (CONT.)

OUTDOOR UNIT	INDOOR UNITS		COOLING RATINGS				CFM	AHRI #
	COILS/AIR HANDLERS	FURNACES	TOTAL ¹	SENS. ¹	SEER ²	EER ³		
ASX16 0601F* (cont.)	CAPT4961*4A*	A*VC950714CXB*	52,000	40,000	14.50	12.00	1,685	6950393
	CAPT4961*4A*	G*VC950714CXB*	52,000	40,000	14.50	12.00	1,685	6950395
	CAPT4961*4A*	A*VC950905CXB*	52,000	40,000	14.50	12.50	1,550	6950408
	CAPT4961*4A*	G*VC950905CXB*	52,000	40,000	14.50	12.50	1,550	6950410
	CAPT4961*4A*	A*VC950905DXB*	52,000	40,000	15.00	12.50	1,450	6950431
	CAPT4961*4A*	G*VC950905DXB*	52,000	40,000	15.00	12.50	1,450	6950434
	CAPT4961*4A*	A*VC950915DXB*	52,000	40,000	15.00	12.50	1,570	6950454
	CAPT4961*4A*	G*VC950915DXB*	52,000	40,000	15.00	12.50	1,570	6950457
	CAPT4961*4A*	A*VC951155DXB*	52,000	40,000	15.00	12.50	1,450	6950477
	CAPT4961*4A*	G*VC951155DXB*	52,000	40,000	15.00	12.50	1,450	6950480
	CAPT4961*4A*	A*VM960604CXB*	52,000	40,000	14.50	12.00	1,665	6950509
	CAPT4961*4A*	G*VM960604CXB*	52,000	40,000	14.50	12.00	1,665	6950512
	CAPT4961*4A*	A*VM960805CXB*	52,000	40,000	14.50	12.50	1,550	6950532
	CAPT4961*4A*	G*VM960805CXB*	52,000	40,000	14.50	12.50	1,550	6950535
	CAPT4961*4A*	A*VM960805DXB*	52,000	40,000	15.00	12.50	1,675	6950556
	CAPT4961*4A*	G*VM960805DXB*	52,000	40,000	15.00	12.50	1,675	6950558
	CAPT4961*4A*	A*VM961005DXB*	52,000	40,000	14.50	12.00	1,450	6950579
	CAPT4961*4A*	G*VM961005DXB*	52,000	40,000	14.50	12.00	1,450	6950581
	CAPT4961*4A*	A*VM961155DXB*	52,000	40,000	14.50	12.00	1,450	6950599
	CAPT4961*4A*	G*VM961155DXB*	52,000	40,000	14.50	12.00	1,450	6950602
	CAPT4961*4A*	GME950805CXA*	52,000	40,000	14.50	12.00	1,580	6950631
	CAPT4961*4A*	GME951005DXA*	52,000	40,000	15.00	12.50	1,500	6950643
	CAPT4961*4A*+EEP		52,000	40,000	15.00	12.50	1,675	5988675
	CAPT4961*4A*+MBVC1600**-1A*		52,000	40,000	15.00	12.50	1,560	6950282
	CHPF4860D6D*	G*VC80805C*B*	52,000	40,000	14.50	12.00	1,520	5988694
	CHPF4860D6D*	G*VC81005C*B*	52,000	40,000	14.50	12.00	1,500	5988698
	CHPF4860D6D*	G*VC950905CXB*	52,000	40,000	14.50	12.00	1,550	5988704
	CHPF4860D6D*	G*VC950905DXB*	52,000	40,000	14.50	12.00	1,540	5988711
	CHPF4860D6D*	G*VC951155DXB*	52,000	40,000	14.50	12.00	1,540	5988720
	CHPF4860D6D*	G*VM960805CXB*	52,000	40,000	14.50	12.00	1,550	5988726
	CHPF4860D6D*	G*VM960805DXB*	52,000	40,000	14.50	12.00	1,675	5988731
	CHPF4860D6D*	G*VM961005DXB*	52,000	40,000	14.50	12.00	1,550	5988735
	CHPF4860D6D*	G*VM961155DXB*	52,000	40,000	14.50	12.00	1,550	5988740
	CHPF4860D6D*	A*VC80805C*B*	52,000	40,000	14.50	12.00	1,520	5989264
	CHPF4860D6D*	A*VC81005C*B*	52,000	40,000	14.50	12.00	1,500	5989268
	CHPF4860D6D*	A*VC950905CXB*	52,000	40,000	14.50	12.00	1,550	5989274
	CHPF4860D6D*	A*VC950905DXB*	52,000	40,000	14.50	12.00	1,540	5989281
	CHPF4860D6D*	A*VC951155DXB*	52,000	40,000	14.50	12.00	1,540	5989289
	CHPF4860D6D*	A*VM960805CXB*	52,000	40,000	14.50	12.00	1,550	5989294
	CHPF4860D6D*	A*VM960805DXB*	52,000	40,000	14.50	12.00	1,675	5989299
	CHPF4860D6D*	A*VM961005DXB*	52,000	40,000	14.50	12.00	1,550	5989303
	CHPF4860D6D*	A*VM961155DXB*	52,000	40,000	14.50	12.00	1,550	5989308
	CHPF4860D6D*	G*E81005C*B*	52,000	40,000	14.50	12.00	1,690	6079814
	CHPF4860D6D*	G*E80805C*B*	52,000	40,000	14.50	12.00	1,645	6079865
	CHPF4860D6D*	GME950805CXA*	52,000	40,000	14.50	12.00	1,580	6079866
	CHPF4860D6D*	GME951005DXA*	52,000	40,000	15.50	12.50	1,655	6079867
	CHPF4860D6D*	A*EH800805C*A*	52,000	40,000	14.50	12.00	1,645	6946095
CHPF4860D6D*	A*EH801005C*A*	52,000	40,000	14.50	12.00	1,690	6946096	
CHPF4860D6D*	AMEH960805CXA*	52,000	40,000	14.50	12.00	1,580	6946097	
CHPF4860D6D*	AMEH961005DXA*	52,000	40,000	15.50	12.50	1,655	6946098	
CHPF4860D6D*+EEP		52,000	40,000	14.50	12.00	1,675	5988676	
CHPF4860D6D*+EEP+TXV		53,500	41,000	15.00	12.50	1,675	5753139	
CHPF4860D6D*+MBVC2000**-1A*		52,000	40,000	15.00	12.50	1,675	5988677	
CHPF4860D6D*+TXV	G*E80805D*A*	53,000	40,500	16.00	13.00	1,500	5753141	
CHPF4860D6D*+TXV	A*VC951155DXB*	52,000	40,000	16.00	13.00	1,450	5753143	
CHPF4860D6D*+TXV	G*E81005C*B*	52,000	40,000	15.00	12.50	1,690	5988689	

See Notes on Page 60.

AHRI RATINGS (CONT.)

OUTDOOR UNIT	INDOOR UNITS		COOLING RATINGS				CFM	AHRI #
	COILS/AIR HANDLERS	FURNACES	TOTAL ¹	SENS. ¹	SEER ²	EER ³		
ASX16 0601F* (cont.)	CHPF4860D6D*+TXV	G*VC81005C*B*	52,000	40,000	15.00	12.50	1,500	5988699
	CHPF4860D6D*+TXV	G*VC950905CXB*	52,000	40,000	15.00	12.50	1,550	5988705
	CHPF4860D6D*+TXV	G*VC951155DXB*	52,000	40,000	16.00	13.00	1,450	5988721
	CHPF4860D6D*+TXV	G*VM960805CXB*	52,000	40,000	15.00	12.50	1,550	5988727
	CHPF4860D6D*+TXV	G*VM960805DXB*	52,000	40,000	15.00	12.50	1,675	5988732
	CHPF4860D6D*+TXV	G*VM961005DXB*	52,000	40,000	16.00	13.00	1,450	5988736
	CHPF4860D6D*+TXV	G*VM961155DXB*	52,000	40,000	15.50	12.50	1,450	5988741
	CHPF4860D6D*+TXV	A*VC81005C*B*	52,000	40,000	15.00	12.50	1,500	5989269
	CHPF4860D6D*+TXV	A*VC950905CXB*	52,000	40,000	15.00	12.50	1,550	5989275
	CHPF4860D6D*+TXV	A*VM960805CXB*	52,000	40,000	15.00	12.50	1,550	5989295
	CHPF4860D6D*+TXV	A*VM960805DXB*	52,000	40,000	15.00	12.50	1,675	5989300
	CHPF4860D6D*+TXV	A*VM961005DXB*	52,000	40,000	16.00	13.00	1,450	5989304
	CHPF4860D6D*+TXV	A*VM961155DXB*	52,000	40,000	15.50	12.50	1,450	5989309
	CHPF4860D6D*+TXV	GME951005DXA*	53,000	40,500	16.00	13.00	1,500	6090122
	CHPF4860D6D*+TXV	G*E80805C*B*	52,000	40,000	15.20	12.50	1,645	6107319
	CHPF4860D6D*+TXV	G*VC80805C*B*	52,000	40,000	15.20	12.50	1,520	6107320
	CHPF4860D6D*+TXV	G*VC950905DXB*	52,000	40,000	16.00	13.00	1,450	6107321
	CHPF4860D6D*+TXV	GME950805CXA*	52,000	40,000	15.20	12.50	1,580	6107322
	CHPF4860D6D*+TXV	A*VC80805C*B*	52,000	40,000	15.20	12.50	1,520	6107332
	CHPF4860D6D*+TXV	A*VC950905DXB*	52,000	40,000	16.00	13.00	1,450	6107333
	CHPF4860D6D*+TXV	A*EH800805C*A*	52,000	40,000	15.20	12.50	1,645	6946099
	CHPF4860D6D*+TXV	A*EH800805D*A*	53,000	40,500	16.00	13.00	1,500	6946100
	CHPF4860D6D*+TXV	A*EH801005C*A*	52,000	40,000	15.00	12.50	1,690	6946101
	CHPF4860D6D*+TXV	AMEH960805CXA*	52,000	40,000	15.20	12.50	1,580	6946102
	CHPF4860D6D*+TXV	AMEH961005DXA*	53,000	40,500	16.00	13.00	1,500	6946103
	CSCF4860N6D*	G*VC950905CXB*	51,500	39,500	14.00	12.00	1,550	5988706
	CSCF4860N6D*	G*VC950905DXB*	51,500	39,500	14.00	12.00	1,540	5988712
	CSCF4860N6D*	G*VC951155DXB*	51,500	39,500	14.00	12.00	1,540	5988722
	CSCF4860N6D*	A*VC950905CXB*	51,500	39,500	14.00	12.00	1,550	5989276
	CSCF4860N6D*	A*VC950905DXB*	51,500	39,500	14.00	12.00	1,540	5989282
	CSCF4860N6D*	A*VC951155DXB*	51,500	39,500	14.00	12.00	1,540	5989290
	CSCF4860N6D*	G*E80805C*B*	51,500	39,500	14.50	12.00	1,645	6079815
	CSCF4860N6D*	G*E81005C*B*	51,500	39,500	14.50	12.00	1,690	6079816
	CSCF4860N6D*	GME951005DXA*	51,500	39,500	15.00	12.50	1,655	6079817
	CSCF4860N6D*	GME950805CXA*	51,500	39,500	14.50	12.00	1,580	6079868
	CSCF4860N6D*	A*EH800805C*A*	51,500	39,500	14.50	12.00	1,645	6946104
	CSCF4860N6D*	A*EH801005C*A*	51,500	39,500	14.50	12.00	1,690	6946105
	CSCF4860N6D*	AMEH960805CXA*	51,500	39,500	14.50	12.00	1,580	6946106
	CSCF4860N6D*	AMEH961005DXA*	51,500	39,500	15.00	12.50	1,655	6946107
	CSCF4860N6D*+EEP		51,500	39,500	14.00	12.00	1,675	5988678
	CSCF4860N6D*+EEP+TXV		51,500	39,500	14.50	12.00	1,675	5988679
	CSCF4860N6D*+TXV	G*E80805C*B*	51,500	39,500	15.00	12.50	1,645	5988684
	CSCF4860N6D*+TXV	G*E80805D*A*	51,500	39,500	15.50	12.50	1,690	5988685
	CSCF4860N6D*+TXV	G*E81005C*B*	51,500	39,500	15.00	12.50	1,690	5988691
	CSCF4860N6D*+TXV	G*VC950905CXB*	51,500	39,500	14.50	12.00	1,550	5988707
CSCF4860N6D*+TXV	G*VC950905DXB*	51,500	39,500	14.50	12.00	1,540	5988713	
CSCF4860N6D*+TXV	G*VC951155DXB*	51,500	39,500	14.50	12.00	1,540	5988723	
CSCF4860N6D*+TXV	GME950805CXA*	51,500	39,500	14.50	12.00	1,580	5988750	
CSCF4860N6D*+TXV	GME951005DXA*	51,500	39,500	15.50	12.50	1,655	5988754	
CSCF4860N6D*+TXV	A*VC950905CXB*	51,500	39,500	14.50	12.00	1,550	5989277	
CSCF4860N6D*+TXV	A*VC950905DXB*	51,500	39,500	14.50	12.00	1,540	5989283	
CSCF4860N6D*+TXV	A*VC951155DXB*	51,500	39,500	14.50	12.00	1,540	5989291	
CSCF4860N6D*+TXV	A*EH800805C*A*	51,500	39,500	15.00	12.50	1,645	6946108	
CSCF4860N6D*+TXV	A*EH800805D*A*	51,500	39,500	15.50	12.50	1,690	6946109	
CSCF4860N6D*+TXV	A*EH801005C*A*	51,500	39,500	15.00	12.50	1,690	6946110	
CSCF4860N6D*+TXV	AMEH960805CXA*	51,500	39,500	14.50	12.00	1,580	6946111	
CSCF4860N6D*+TXV	AMEH961005DXA*	51,500	39,500	15.50	12.50	1,655	6946112	

See Notes on Page 60.

AHRI RATINGS (CONT.)

OUTDOOR UNIT	INDOOR UNITS		COOLING RATINGS				CFM	AHRI #
	COILS/AIR HANDLERS	FURNACES	TOTAL ¹	SENS. ¹	SEER ²	EER ³		
ASX16 0611F*	ASPT60D14A*		57,000	40,000	14.00	12.00	1,620	6775456
	ASUF59D14A*		55,500	39,000	13.50	11.50	1,600	6841559
	ASUF59D14A*+TXV		56,000	39,000	14.00	11.50	1,600	6775458
	AVPTC60D14A*		57,000	40,000	14.00	12.00	1,620	6775460
	CA*F4961*6D*	A*VC80805C*B*	56,500	39,500	14.00	11.50	1,560	6841561
	CA*F4961*6D*	A*VC81005C*B*	56,500	39,500	14.00	11.50	1,525	6841562
	CA*F4961*6D*	A*VC950905CXB*	56,500	39,500	13.50	11.00	1,580	6841563
	CA*F4961*6D*	A*VC950905DXB*	56,500	39,500	14.00	11.50	1,575	6841564
	CA*F4961*6D*	A*VC951155DXB*	56,500	39,500	14.00	11.50	1,550	6841565
	CA*F4961*6D*	A*VM960805CXB*	56,500	39,500	13.50	11.00	1,590	6841566
	CA*F4961*6D*	A*VM960805DXB*	56,500	39,500	14.00	11.50	1,575	6841567
	CA*F4961*6D*	A*VM961005DXB*	56,500	39,500	14.00	11.50	1,575	6841568
	CA*F4961*6D*	A*VM961155DXB*	56,500	39,500	14.00	11.50	1,550	6841569
	CA*F4961*6D*	ADVC80805C*B*	56,500	39,500	14.00	11.50	1,560	6841570
	CA*F4961*6D*	ADVC81005C*B*	56,500	39,500	14.00	11.50	1,525	6841571
	CA*F4961*6D*	G*E80805C*B*	56,500	39,500	14.00	11.50	1,525	6841572
	CA*F4961*6D*	G*E81005C*B*	56,500	39,500	13.50	11.50	1,600	6841573
	CA*F4961*6D*	G*VC80805C*B*	56,500	39,500	14.00	11.50	1,560	6841574
	CA*F4961*6D*	G*VC81005C*B*	56,500	39,500	14.00	11.50	1,525	6841575
	CA*F4961*6D*	G*VC950905CXB*	56,500	39,500	13.50	11.00	1,580	6841576
	CA*F4961*6D*	G*VC950905DXB*	56,500	39,500	14.00	11.50	1,575	6841577
	CA*F4961*6D*	G*VC951155DXB*	56,500	39,500	14.00	11.50	1,550	6841578
	CA*F4961*6D*	G*VM960805CXB*	56,500	39,500	13.50	11.00	1,590	6841579
	CA*F4961*6D*	G*VM960805DXB*	56,500	39,500	14.00	11.50	1,575	6841580
	CA*F4961*6D*	G*VM961005DXB*	56,500	39,500	14.00	11.50	1,575	6841581
	CA*F4961*6D*	G*VM961155DXB*	56,500	39,500	14.00	11.50	1,550	6841582
	CA*F4961*6D*	G*E80805D*A*	56,500	39,500	14.00	11.50	1,500	6841583
	CA*F4961*6D*	GME950805CXA*	56,500	39,500	13.50	11.00	1,565	6841584
	CA*F4961*6D*	GME951005DXA*	56,500	39,500	14.00	11.50	1,470	6841585
	CA*F4961*6D*		56,500	39,500	13.50	11.00	1,545	6841730
	CA*F4961*6D*	A*EH800805C*A*	56,500	39,500	14.00	11.50	1,525	6946113
	CA*F4961*6D*	A*EH800805D*A*	56,500	39,500	14.00	11.50	1,500	6946114
	CA*F4961*6D*	A*EH801005C*A*	56,500	39,500	13.50	11.50	1,600	6946115
	CA*F4961*6D*	AMEH960805CXA*	56,500	39,500	13.50	11.00	1,565	6946116
	CA*F4961*6D*	AMEH961005DXA*	56,500	39,500	14.00	11.50	1,470	6946117
	CA*F4961*6D*+EEP+TXV		57,000	40,000	14.00	11.50	1,545	6809897
	CA*F4961*6D*+MBVC2000**-1A*		56,500	39,500	14.00	11.50	1,620	6841560
	CA*F4961*6D*+MBVC2000**-1A*+TXV		57,000	40,000	14.50	12.00	1,620	6775462
	CA*F4961*6D*+TXV	A*VC80805C*B*	57,000	40,000	14.50	12.00	1,560	6775464
	CA*F4961*6D*+TXV	A*VC81005C*B*	57,000	40,000	14.50	12.00	1,525	6775466
	CA*F4961*6D*+TXV	A*VC950905CXB*	57,000	40,000	14.00	11.50	1,580	6775468
	CA*F4961*6D*+TXV	A*VC950905DXB*	57,000	40,000	14.50	12.00	1,575	6775470
	CA*F4961*6D*+TXV	A*VC951155DXB*	57,000	40,000	14.50	12.00	1,550	6775472
	CA*F4961*6D*+TXV	A*VM960805CXB*	57,000	40,000	14.00	11.50	1,590	6775473
	CA*F4961*6D*+TXV	A*VM960805DXB*	57,000	40,000	14.50	12.00	1,575	6775476
	CA*F4961*6D*+TXV	A*VM961005DXB*	57,000	40,000	14.50	12.00	1,575	6775478
	CA*F4961*6D*+TXV	A*VM961155DXB*	57,000	40,000	14.50	12.00	1,550	6775480
CA*F4961*6D*+TXV	ADVC80805C*B*	57,000	40,000	14.50	12.00	1,560	6775482	
CA*F4961*6D*+TXV	ADVC81005C*B*	57,000	40,000	14.50	12.00	1,525	6775484	
CA*F4961*6D*+TXV	G*E80805C*B*	57,000	40,000	14.50	12.00	1,525	6775486	
CA*F4961*6D*+TXV	G*E80805D*A*	57,000	40,000	14.50	12.00	1,500	6775488	
CA*F4961*6D*+TXV	G*E81005C*B*	57,000	40,000	14.50	12.00	1,600	6775490	
CA*F4961*6D*+TXV	G*VC80805C*B*	57,000	40,000	14.50	12.00	1,560	6775492	
CA*F4961*6D*+TXV	G*VC81005C*B*	57,000	40,000	14.50	12.00	1,525	6775494	
CA*F4961*6D*+TXV	G*VC950905CXB*	57,000	40,000	14.00	11.50	1,580	6775496	
CA*F4961*6D*+TXV	G*VC950905DXB*	57,000	40,000	14.50	12.00	1,575	6775498	

See Notes on Page 60.

AHRI RATINGS (CONT.)

OUTDOOR UNIT	INDOOR UNITS		COOLING RATINGS				CFM	AHRI #
	COILS/AIR HANDLERS	FURNACES	TOTAL ¹	SENS. ¹	SEER ²	EER ³		
ASX16 0611F* (cont.)	CA*F4961*6D*+TXV	G*VC951155DXB*	57,000	40,000	14.50	12.00	1,550	6775500
	CA*F4961*6D*+TXV	G*VM960805CXB*	57,000	40,000	14.00	11.50	1,590	6775502
	CA*F4961*6D*+TXV	G*VM960805DXB*	57,000	40,000	14.50	12.00	1,575	6775504
	CA*F4961*6D*+TXV	G*VM961005DXB*	57,000	40,000	14.50	12.00	1,575	6775506
	CA*F4961*6D*+TXV	G*VM961155DXB*	57,000	40,000	14.50	12.00	1,550	6775508
	CA*F4961*6D*+TXV	GME950805CXA*	57,000	40,000	14.00	11.50	1,565	6775509
	CA*F4961*6D*+TXV	GME951005DXA*	57,000	40,000	14.50	12.00	1,470	6775511
	CA*F4961*6D*+TXV	A*EH800805C*A*	57,000	40,000	14.50	12.00	1,525	6946118
	CA*F4961*6D*+TXV	A*EH800805D*A*	57,000	40,000	14.50	12.00	1,500	6946119
	CA*F4961*6D*+TXV	A*EH801005C*A*	57,000	40,000	14.50	12.00	1,600	6946120
	CA*F4961*6D*+TXV	AMEH960805CXA*	57,000	40,000	14.00	11.50	1,565	6946121
	CA*F4961*6D*+TXV	AMEH961005DXA*	57,000	40,000	14.50	12.00	1,470	6946122
	CHPF4860D6D*	A*VC80805C*B*	56,500	39,500	14.00	11.50	1,560	6841588
	CHPF4860D6D*	A*VC81005C*B*	56,500	39,500	14.00	11.50	1,525	6841589
	CHPF4860D6D*	A*VC950905CXB*	56,500	39,500	13.50	11.50	1,580	6841590
	CHPF4860D6D*	A*VC950905DXB*	56,500	39,500	14.00	11.50	1,575	6841591
	CHPF4860D6D*	A*VC951155DXB*	56,500	39,500	14.00	11.50	1,550	6841592
	CHPF4860D6D*	A*VM960805CXB*	56,500	39,500	13.50	11.00	1,590	6841593
	CHPF4860D6D*	A*VM960805DXB*	56,500	39,500	14.00	11.50	1,575	6841594
	CHPF4860D6D*	A*VM961005DXB*	56,500	39,500	14.00	11.50	1,575	6841595
	CHPF4860D6D*	A*VM961155DXB*	56,500	39,500	14.00	11.50	1,550	6841596
	CHPF4860D6D*	G*E80805C*B*	56,500	39,500	14.00	11.50	1,525	6841597
	CHPF4860D6D*	G*E81005C*B*	56,500	39,500	13.50	11.50	1,600	6841598
	CHPF4860D6D*	G*VC80805C*B*	56,500	39,500	14.00	11.50	1,560	6841599
	CHPF4860D6D*	G*VC81005C*B*	56,500	39,500	14.00	11.50	1,525	6841600
	CHPF4860D6D*	G*VC950905CXB*	56,500	39,500	13.50	11.50	1,580	6841601
	CHPF4860D6D*	G*VC950905DXB*	56,500	39,500	14.00	11.50	1,575	6841602
	CHPF4860D6D*	G*VC951155DXB*	56,500	39,500	14.00	11.50	1,550	6841603
	CHPF4860D6D*	G*VM960805CXB*	56,500	39,500	13.50	11.00	1,590	6841604
	CHPF4860D6D*	G*VM960805DXB*	56,500	39,500	14.00	11.50	1,575	6841605
	CHPF4860D6D*	G*VM961005DXB*	56,500	39,500	14.00	11.50	1,575	6841606
	CHPF4860D6D*	G*VM961155DXB*	56,500	39,500	14.00	11.50	1,550	6841607
	CHPF4860D6D*	G*E80805D*A*	56,500	39,500	14.00	11.50	1,500	6841608
	CHPF4860D6D*	GME950805CXA*	56,500	39,500	13.50	11.00	1,565	6841609
	CHPF4860D6D*	GME951005DXA*	56,500	39,500	14.00	11.50	1,470	6841610
	CHPF4860D6D*	A*EH800805C*A*	56,500	39,500	14.00	11.50	1,525	6946123
	CHPF4860D6D*	A*EH800805D*A*	56,500	39,500	14.00	11.50	1,500	6946124
	CHPF4860D6D*	A*EH801005C*A*	56,500	39,500	13.50	11.50	1,600	6946125
	CHPF4860D6D*	AMEH960805CXA*	56,500	39,500	13.50	11.00	1,565	6946126
	CHPF4860D6D*	AMEH961005DXA*	56,500	39,500	14.00	11.50	1,470	6946127
	CHPF4860D6D*+EEP		56,500	39,500	13.50	11.00	1,545	6841586
	CHPF4860D6D*+EEP+TXV		57,000	40,000	14.00	11.50	1,545	6775515
	CHPF4860D6D*+MBVC2000**-1A*		56,500	39,500	14.00	11.50	1,620	6841587
	CHPF4860D6D*+MBVC2000**-1A*+TXV		57,000	40,000	14.50	12.00	1,620	6775517
	CHPF4860D6D*+TXV	A*VC80805C*B*	57,000	40,000	14.50	12.00	1,560	6775519
	CHPF4860D6D*+TXV	A*VC81005C*B*	57,000	40,000	14.50	12.00	1,525	6775521
	CHPF4860D6D*+TXV	A*VC950905CXB*	57,000	40,000	14.00	11.50	1,580	6775523
	CHPF4860D6D*+TXV	A*VC950905DXB*	57,000	40,000	14.50	12.00	1,575	6775525
CHPF4860D6D*+TXV	A*VC951155DXB*	57,000	40,000	14.50	12.00	1,550	6775527	
CHPF4860D6D*+TXV	A*VM960805CXB*	57,000	40,000	14.00	11.50	1,590	6775529	

See Notes on Page 60.

AHRI RATINGS (CONT.)

OUTDOOR UNIT	INDOOR UNITS		COOLING RATINGS				CFM	AHRI #
	COILS/AIR HANDLERS	FURNACES	TOTAL ¹	SENS. ¹	SEER ²	EER ³		
ASX16 0611F* (cont.)	CHPF4860D6D*+TXV	A*VM960805DXB*	57,000	40,000	14.50	12.00	1,575	6775531
	CHPF4860D6D*+TXV	A*VM961005DXB*	57,000	40,000	14.50	12.00	1,575	6775533
	CHPF4860D6D*+TXV	A*VM961155DXB*	57,000	40,000	14.50	12.00	1,550	6775534
	CHPF4860D6D*+TXV	G*E80805C*B*	57,000	40,000	14.50	12.00	1,525	6775536
	CHPF4860D6D*+TXV	G*E80805D*A*	57,000	40,000	14.50	12.00	1,500	6775538
	CHPF4860D6D*+TXV	G*E81005C*B*	57,000	40,000	14.50	12.00	1,600	6775540
	CHPF4860D6D*+TXV	G*VC80805C*B*	57,000	40,000	14.50	12.00	1,560	6775542
	CHPF4860D6D*+TXV	G*VC81005C*B*	57,000	40,000	14.50	12.00	1,525	6775545
	CHPF4860D6D*+TXV	G*VC950905CXB*	57,000	40,000	14.00	11.50	1,580	6775546
	CHPF4860D6D*+TXV	G*VC950905DXB*	57,000	40,000	14.50	12.00	1,575	6775548
	CHPF4860D6D*+TXV	G*VC951155DXB*	57,000	40,000	14.50	12.00	1,550	6775550
	CHPF4860D6D*+TXV	G*VM960805CXB*	57,000	40,000	14.00	11.50	1,590	6775552
	CHPF4860D6D*+TXV	G*VM960805DXB*	57,000	40,000	14.50	12.00	1,575	6775554
	CHPF4860D6D*+TXV	G*VM961005DXB*	57,000	40,000	14.50	12.00	1,575	6775556
	CHPF4860D6D*+TXV	G*VM961155DXB*	57,000	40,000	14.50	12.00	1,550	6775558
	CHPF4860D6D*+TXV	GME950805CXA*	57,000	40,000	14.00	11.50	1,565	6775560
	CHPF4860D6D*+TXV	GME951005DXA*	57,000	40,000	14.50	12.00	1,470	6775562
	CHPF4860D6D*+TXV	A*EH800805C*A*	57,000	40,000	14.50	12.00	1,525	6946128
	CHPF4860D6D*+TXV	A*EH800805D*A*	57,000	40,000	14.50	12.00	1,500	6946129
	CHPF4860D6D*+TXV	A*EH801005C*A*	57,000	40,000	14.50	12.00	1,600	6946130
	CHPF4860D6D*+TXV	AMEH960805CXA*	57,000	40,000	14.00	11.50	1,565	6946131
	CHPF4860D6D*+TXV	AMEH961005DXA*	57,000	40,000	14.50	12.00	1,470	6946132
	CSCF4860N6D*	A*VC80805C*B*	56,500	39,500	14.00	11.50	1,560	6841613
	CSCF4860N6D*	A*VC81005C*B*	56,500	39,500	14.00	11.50	1,525	6841614
	CSCF4860N6D*	A*VC950905CXB*	56,500	39,500	13.50	11.00	1,580	6841615
	CSCF4860N6D*	A*VC950905DXB*	56,500	39,500	14.00	11.50	1,575	6841616
	CSCF4860N6D*	A*VC951155DXB*	56,500	39,500	14.00	11.50	1,550	6841617
	CSCF4860N6D*	A*VM960805CXB*	56,500	39,500	13.50	11.00	1,590	6841618
	CSCF4860N6D*	A*VM960805DXB*	56,500	39,500	14.00	11.50	1,575	6841619
	CSCF4860N6D*	A*VM961005DXB*	56,500	39,500	14.00	11.50	1,575	6841620
	CSCF4860N6D*	A*VM961155DXB*	56,500	39,500	14.00	11.50	1,550	6841621
	CSCF4860N6D*	G*E80805C*B*	56,500	39,500	14.00	11.50	1,525	6841622
	CSCF4860N6D*	G*E81005C*B*	56,500	39,500	13.50	11.50	1,600	6841623
	CSCF4860N6D*	G*VC80805C*B*	56,500	39,500	14.00	11.50	1,560	6841624
	CSCF4860N6D*	G*VC81005C*B*	56,500	39,500	14.00	11.50	1,525	6841625
	CSCF4860N6D*	G*VC950905CXB*	56,500	39,500	13.50	11.00	1,580	6841626
	CSCF4860N6D*	G*VC950905DXB*	56,500	39,500	14.00	11.50	1,575	6841627
	CSCF4860N6D*	G*VC951155DXB*	56,500	39,500	14.00	11.50	1,550	6841628
	CSCF4860N6D*	G*VM960805CXB*	56,500	39,500	13.50	11.00	1,590	6841629
	CSCF4860N6D*	G*VM960805DXB*	56,500	39,500	14.00	11.50	1,575	6841630
	CSCF4860N6D*	G*VM961005DXB*	56,500	39,500	14.00	11.50	1,575	6841631
	CSCF4860N6D*	G*VM961155DXB*	56,500	39,500	14.00	11.50	1,550	6841632
CSCF4860N6D*	G*E80805D*A*	56,500	39,500	14.00	11.50	1,500	6841633	
CSCF4860N6D*	GME950805CXA*	56,500	39,500	13.50	11.00	1,555	6841634	
CSCF4860N6D*	GME951005DXA*	56,500	39,500	14.00	11.50	1,470	6841635	
CSCF4860N6D*	A*EH800805C*A*	56,500	39,500	14.00	11.50	1,525	6946133	
CSCF4860N6D*	A*EH800805D*A*	56,500	39,500	14.00	11.50	1,500	6946134	
CSCF4860N6D*	A*EH801005C*A*	56,500	39,500	13.50	11.50	1,600	6946135	
CSCF4860N6D*	AMEH960805CXA*	56,500	39,500	13.50	11.00	1,555	6946136	
CSCF4860N6D*	AMEH961005DXA*	56,500	39,500	14.00	11.50	1,470	6946137	

See Notes on Page 60.

AHRI RATINGS (CONT.)

OUTDOOR UNIT	INDOOR UNITS		COOLING RATINGS				CFM	AHRI #
	COILS/AIR HANDLERS	FURNACES	TOTAL ¹	SENS. ¹	SEER ²	EER ³		
ASX16 0611F* (cont.)	CSCF4860N6D*+EEP		56,500	39,500	13.50	11.00	1,545	6841611
	CSCF4860N6D*+EEP+TXV		57,000	40,000	14.00	11.50	1,545	6775564
	CSCF4860N6D*+MBVC2000**-1A*		56,500	39,500	14.00	11.50	1,620	6841612
	CSCF4860N6D*+MBVC2000**-1A*+TXV		57,000	40,000	14.50	12.00	1,620	6775566
	CSCF4860N6D*+TXV	A*VC80805C*B*	57,000	40,000	14.50	12.00	1,560	6775568
	CSCF4860N6D*+TXV	A*VC81005C*B*	57,000	40,000	14.50	12.00	1,525	6775570
	CSCF4860N6D*+TXV	A*VC950905CXB*	57,000	40,000	14.00	11.50	1,580	6775572
	CSCF4860N6D*+TXV	A*VC950905DXB*	57,000	40,000	14.50	12.00	1,575	6775574
	CSCF4860N6D*+TXV	A*VC951155DXB*	57,000	40,000	14.50	12.00	1,550	6775576
	CSCF4860N6D*+TXV	A*VM960805CXB*	57,000	40,000	14.00	11.50	1,590	6775578
	CSCF4860N6D*+TXV	A*VM960805DXB*	57,000	40,000	14.50	12.00	1,575	6775580
	CSCF4860N6D*+TXV	A*VM961005DXB*	57,000	40,000	14.50	12.00	1,575	6775582
	CSCF4860N6D*+TXV	A*VM961155DXB*	57,000	40,000	14.50	12.00	1,550	6775584
	CSCF4860N6D*+TXV	G*E80805C*B*	57,000	40,000	14.50	12.00	1,525	6775586
	CSCF4860N6D*+TXV	G*E80805D*A*	57,000	40,000	14.50	12.00	1,500	6775588
	CSCF4860N6D*+TXV	G*E81005C*B*	57,000	40,000	14.50	12.00	1,600	6775590
	CSCF4860N6D*+TXV	G*VC80805C*B*	57,000	40,000	14.50	12.00	1,560	6775592
	CSCF4860N6D*+TXV	G*VC81005C*B*	57,000	40,000	14.50	12.00	1,525	6775594
	CSCF4860N6D*+TXV	G*VC950905CXB*	57,000	40,000	14.00	11.50	1,580	6775596
	CSCF4860N6D*+TXV	G*VC950905DXB*	57,000	40,000	14.50	12.00	1,575	6775598
	CSCF4860N6D*+TXV	G*VC951155DXB*	57,000	40,000	14.50	12.00	1,550	6775600
	CSCF4860N6D*+TXV	G*VM960805CXB*	57,000	40,000	14.00	11.50	1,590	6775602
	CSCF4860N6D*+TXV	G*VM960805DXB*	57,000	40,000	14.50	12.00	1,575	6775604
	CSCF4860N6D*+TXV	G*VM961005DXB*	57,000	40,000	14.50	12.00	1,575	6775606
	CSCF4860N6D*+TXV	G*VM961155DXB*	57,000	40,000	14.50	12.00	1,550	6775608
	CSCF4860N6D*+TXV	GME950805CXA*	57,000	40,000	14.00	11.50	1,555	6775610
CSCF4860N6D*+TXV	GME951005DXA*	57,000	40,000	14.50	12.00	1,470	6775612	
CSCF4860N6D*+TXV	A*EH800805C*A*	57,000	40,000	14.50	12.00	1,525	6946138	
CSCF4860N6D*+TXV	A*EH800805D*A*	57,000	40,000	14.50	12.00	1,500	6946139	
CSCF4860N6D*+TXV	A*EH801005C*A*	57,000	40,000	14.50	12.00	1,600	6946140	
CSCF4860N6D*+TXV	AMEH960805CXA*	57,000	40,000	14.00	11.50	1,555	6946141	
CSCF4860N6D*+TXV	AMEH961005DXA*	57,000	40,000	14.50	12.00	1,470	6946142	

¹ BTU/h

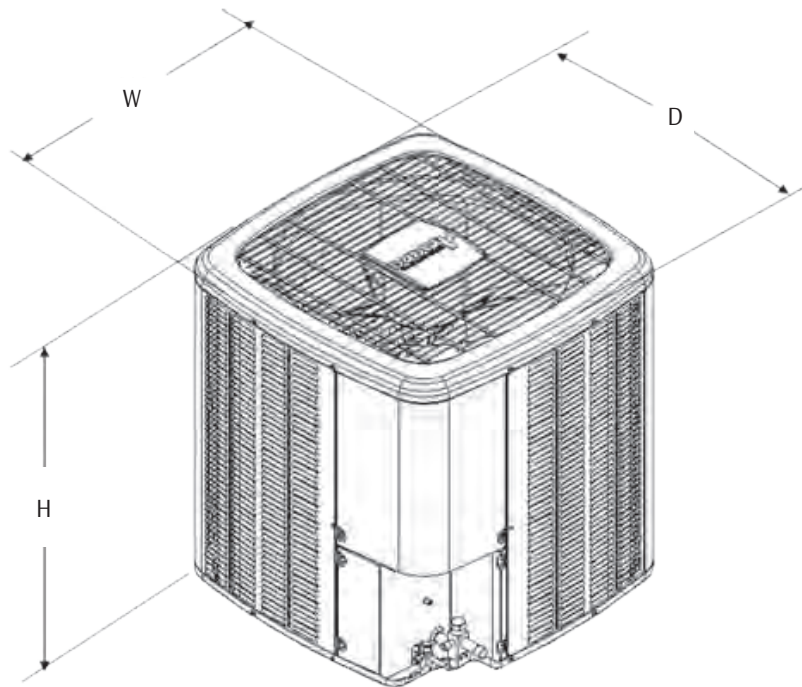
² Seasonal Energy Efficiency Ratio; Certified per AHRI 210/240 @ 80°F/ 67°F/ 95°F

³ Energy Efficiency Ratio @ 80°F/ 67°F/ 95°F

NOTES

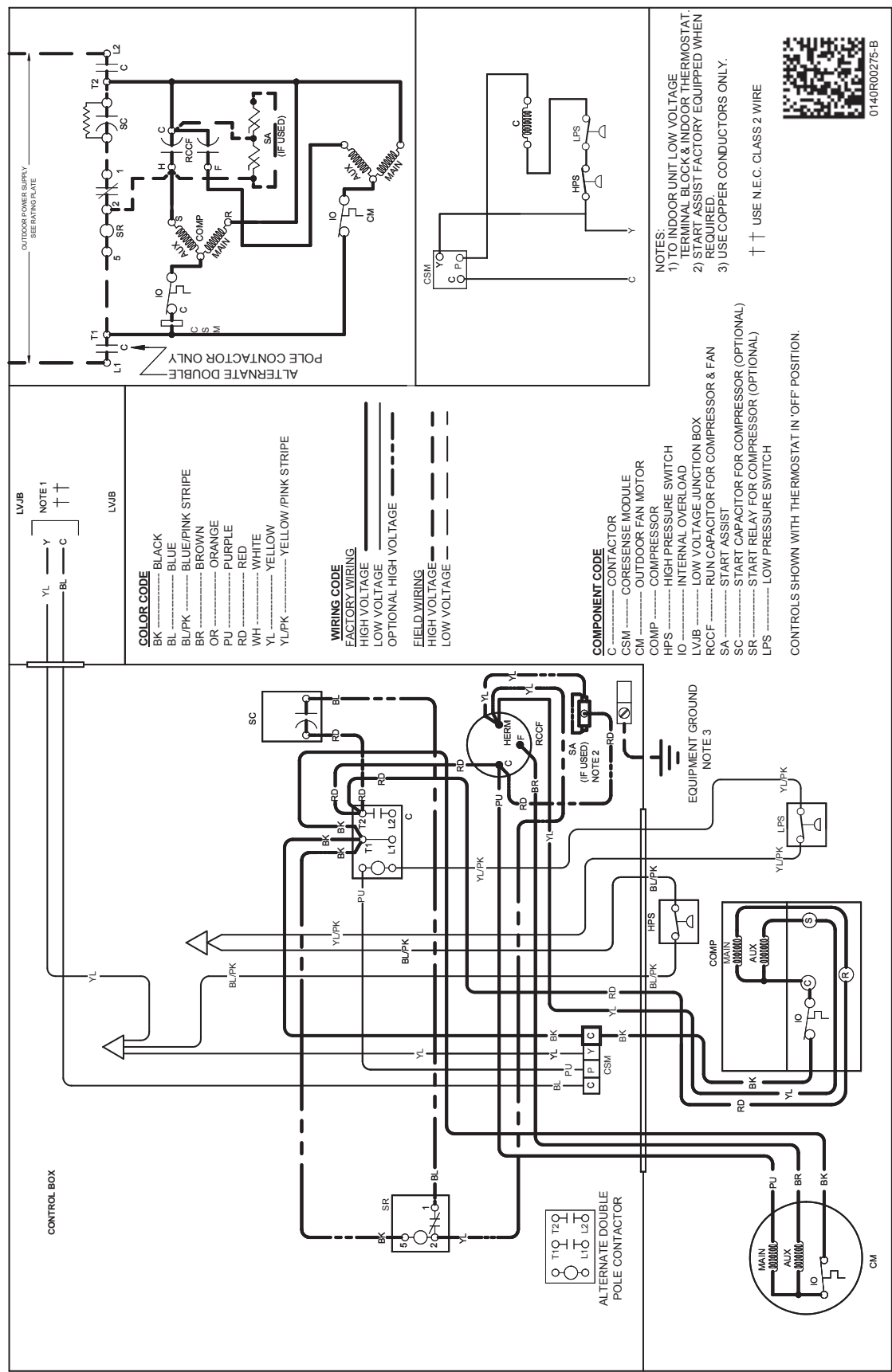
- Always check the S&R plate for electrical data on the unit being installed.
- When matching the outdoor unit to the indoor unit, use the piston supplied with the outdoor unit or that specified on the piston kit chart supplied with the indoor unit.
- EEP - Order from Service Dept. Part No. B13707-38 or new Solid State Board B13707-35S. Part No. B13707-38 is not interchangeable with B13707-35S. The Goodman Gas Furnace contains the EEP cooling time delay

DIMENSIONS



MODEL	DIMENSIONS		
	W"	D"	H"
ASX160181F*	29	29	32¼
ASX160241F*	29	29	32¼
ASX160301F*	29	29	36¼
ASX160361F*	29	29	38¼
ASX160421F*	35½	35½	36¼
ASX160481F*	35½	35½	38¼
ASX160601F*	35½	35½	38¼
ASX160611F*	35½	35½	38¼

WIRING DIAGRAM — ASX16018-0481F* / 611F*



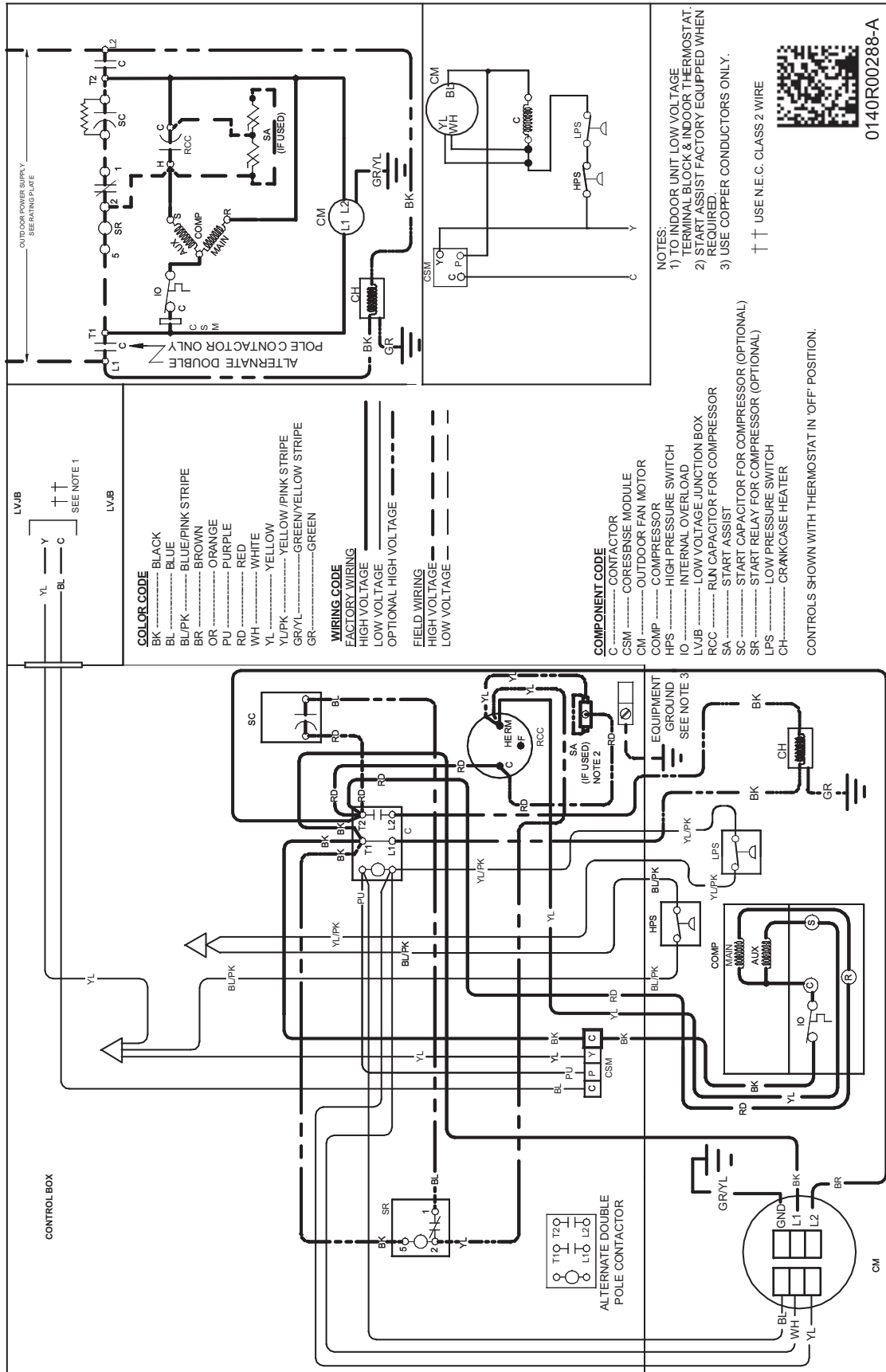
0140R000275-B

WARNING

⚠

High Voltage: Disconnect all power before servicing or installing this unit. Multiple power sources may be present. Failure to do so may cause property damage, personal injury, or death.

WIRING DIAGRAM — ASX160601F*



WARNING

⚡

High Voltage: Disconnect all power before servicing or installing this unit. Multiple power sources may be present. Failure to do so may cause property damage, personal injury, or death.

Wiring is subject to change. Always refer to the wiring diagram or the unit for the most up-to-date wiring.

ACCESSORIES

MODEL	DESCRIPTION	ASX16 0181F*	ASX16 0241F*	ASX16 0301F*	ASX16 0361F*	ASX16 0421F*	ASX16 0481F*	ASX16 0601F*	ASX16 0611F*
ABK-20	Anchor Bracket Kit ^		X	X	X	X	X	X	X
ABK-21	Anchor Bracket Kit ^	X							
ASC-01	Anti-Short Cycle Kit	X	X	X	X	X	X	X	X
CSR-U-1	Hard-start Kit	X	X	X	X	X	X	X	X
FSK01A ¹	Freeze Protection Kit	X	X	X	X	X	X	X	X
LSK02A ²	Liquid Line Solenoid Kit	X	X	X	X	X	X	X	X
TXV-30 ²	TXV Kit	X	X	X					
TXV-42 ²	TXV Kit				X	X			
TXV-48 ²	TXV Kit						X		
TXV-60 ²	TXV Kit							X	X

[^] Contains 20 brackets; four brackets needed to anchor unit to pad

¹ Installed on indoor coil

² Field-installed, non-bleed, expansion valve kit