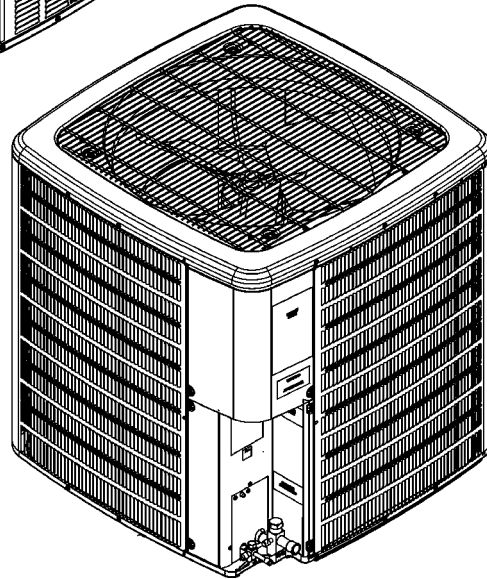
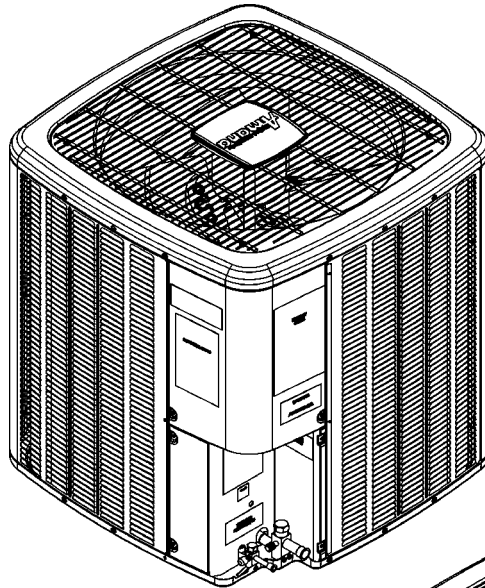


REPAIR PARTS

ASZC16 / 18 SEER Remote Heat Pump

ASZC160241AA
ASZC160241AB
ASZC160241AC
ASZC160241AD
ASZC160241AE
ASZC160361AA
ASZC160361AB
ASZC160361AC
ASZC160361AD
ASZC160361AE
ASZC160481AA
ASZC160481AB
ASZC160481AC
ASZC160481AD
ASZC160601AA
ASZC160601AB
ASZC160601BA
ASZC160601BB
ASZC180361AA
ASZC180361AB
ASZC180361AC
ASZC180361AD
ASZC180481AA
ASZC180481AB
ASZC180481AC
ASZC180601AA
ASZC180601AB
ASZC180601BA



This manual is to be used by qualified technicians only.

This manual replaces RP-507B.

© 2012 Goodman Manufacturing Company, L.P. ♦ 5151 San Felipe, Suite 500 ♦ Houston, TX 77056

Important Information

Index

Functional Parts List	3
Illustration and Parts	4 - 9

Views shown are for parts illustrations only, not servicing procedures.

Rev C: Addition of ASZC16[024,036,048]1 AD and ASCZ160601BB models due to motor supplier changes and ASZC180361AD model due to compressor changes.

Text Codes:

AR - As Required

NA - Not Available

NS - Not Shown

00000000 - See Note

QTY - Quantity Example (QTY 3) (If Quantity not shown, Quantity = 1)

M - Model Example (M1) (If M Code not shown, then part is used on all Models)

Expanded Model Nomenclature:

Example M1 - Model#1 M2 - Model#2 M3 - Model#3

Goodman Manufacturing Company, L.P. is not responsible for personal injury or property damage resulting from improper service. Review all service information before beginning repairs.

Warranty service must be performed by an authorized technician, using authorized factory parts. If service is required after the warranty expires, Goodman Manufacturing Company, L.P. also recommends contacting an authorized technician and using authorized factory parts.

Goodman Manufacturing Company, L.P. reserves the right to discontinue, or change at any time, specifications or designs without notice or without incurring obligations.

For assistance within the U.S.A. contact:
Consumer Affairs Department
Goodman Manufacturing Company, L.P.
7401 Security Way
Houston, Texas 77040
877-254-4729-Telephone
713-863-2382-Facsimile

For assistance outside the U.S.A. contact:
International Division
Goodman Manufacturing Company, L.P.
7401 Security Way
Houston, Texas 77040
713-861-2500-Telephone
713-863-2382-Facsimile

Functional Parts

Part No: **Description:**

B12825171	3/8" SERVICE VALVE
CAP050350440RS	CAPACITOR 5/35/440V (M1, M2, M3, M4, M5)
CAP050400440RT	CAPACITOR 5/40/440V (M6, M7, M8, M9, M10, M19, M20, M21, M22)
CAP050450440RT	CAPACITOR 5/45/440V (M11, M12, M13, M14, M23, M24, M25)
CAP050800440RT	CAPACITOR 5/80/440V (M15, M16, M17, M18, M26, M27, M28)
ZPS49K4EPFV230	COMP, 49200, 208/230/60/1/2STG (M17, M18, M28)
ZPS20K4EPFV230	COMPRESSOR 20000, 208/230/60/1/2STG (M1, M2, M3, M4, M5)
ZPS30K4EPFV230	COMPRESSOR 30000, 208/230/60/1/2STG (M6, M7, M8, M9, M10, M19, M20, M21, M22)
ZPS40K4EPFV230	COMPRESSOR 40000, 208/230/60/1/2STG (M11, M12, M13, M14, M23, M24, M25)
ZPS51K4EPFV230	COMPRESSOR 52000, 208/230/60/1/2STG (M15, M16, M26, M27)
0131M00115	COND MOTOR 1/6 HP 2SP 8PL (M1, M2, M3, M4, M5, M6, M7, M8, M9, M10, M11, M12, M13, M14, M15, M16, M17, M18)
0131M00129	COND MOTOR, ECM (M19, M20, M21, M22, M23, M24, M25, M26, M27, M28)
0130R00045	CRANKCASE HEATER SWITCH (M3, M4, M5, M8, M9, M10, M13, M14, M17, M18, M19, M20, M21, M22, M25, M28)
11046710	DISC-THERMOSTAT
10625737	FAN BLADE 22" ALUM CCW (M1, M2, M3, M4, M5)
0150M00010	FAN BLADE 26" ALUM CCW (M19, M20, M21, M22, M23, M24, M25, M26, M27, M28)
10625738S	FAN BLADE 26" ALUM CCW (M6, M7, M8, M9, M10, M11, M12, M13, M14, M15, M16, M17, M18)
0163R00007	HEATER, CRANKCASE 230V, 40W (M13, M14, M17, M18, M25, M28)
0163R00006	HEATER, CRANKCASE 230V, 40W (M3, M4, M5, M8, M9, M10, M19, M20, M21, M22)
0130R00003	HIGH PRESSURE SWITCH
0130R00002	LOW PRESSURE SWITCH
0130M00054	OUTDOOR AIR TEMP SENSOR
0130M00053	OUTDOOR COIL TEMP SENSOR
PCBHR103	PCB, Control Board
B1787000	VALVE CORE
0151R00032	VALVE, BASE 3/4" OPEN LEFT (M1, M2, M3, M4, M5)
0151R00033	VALVE, BASE 7/8" OPEN LEFT (M6, M7, M8, M9, M10, M11, M12, M13, M14, M15, M16, M17, M18, M19, M20, M21, M22, M23, M24, M25, M26, M27, M28)

SPECIAL PARTS

0161R00008P	AMANA LOGO CAP
0161R00010P	AMANA NAMEPLATE

Expanded Model Nomenclature

M1 - ASZC160241AA
M2 - ASZC160241AB
M3 - ASZC160241AC
M4 - ASZC160241AD
M5 - ASZC160241AE
M6 - ASZC160361AA
M7 - ASZC160361AB
M8 - ASZC160361AC
M9 - ASZC160361AD
M10 - ASZC160361AE
M11 - ASZC160481AA
M12 - ASZC160481AB
M13 - ASZC160481AC
M14 - ASZC160481AD
M15 - ASZC160601AA
M16 - ASZC160601AB
M17 - ASZC160601BA
M18 - ASZC160601BB
M19 - ASZC180361AA
M20 - ASZC180361AB
M21 - ASZC180361AC
M22 - ASZC180361AD
M23 - ASZC180481AA
M24 - ASZC180481AB
M25 - ASZC180481AC
M26 - ASZC180601AA
M27 - ASZC180601AB
M28 - ASZC180601BA

Cabinet Top / Side Panels

IMAGE 1

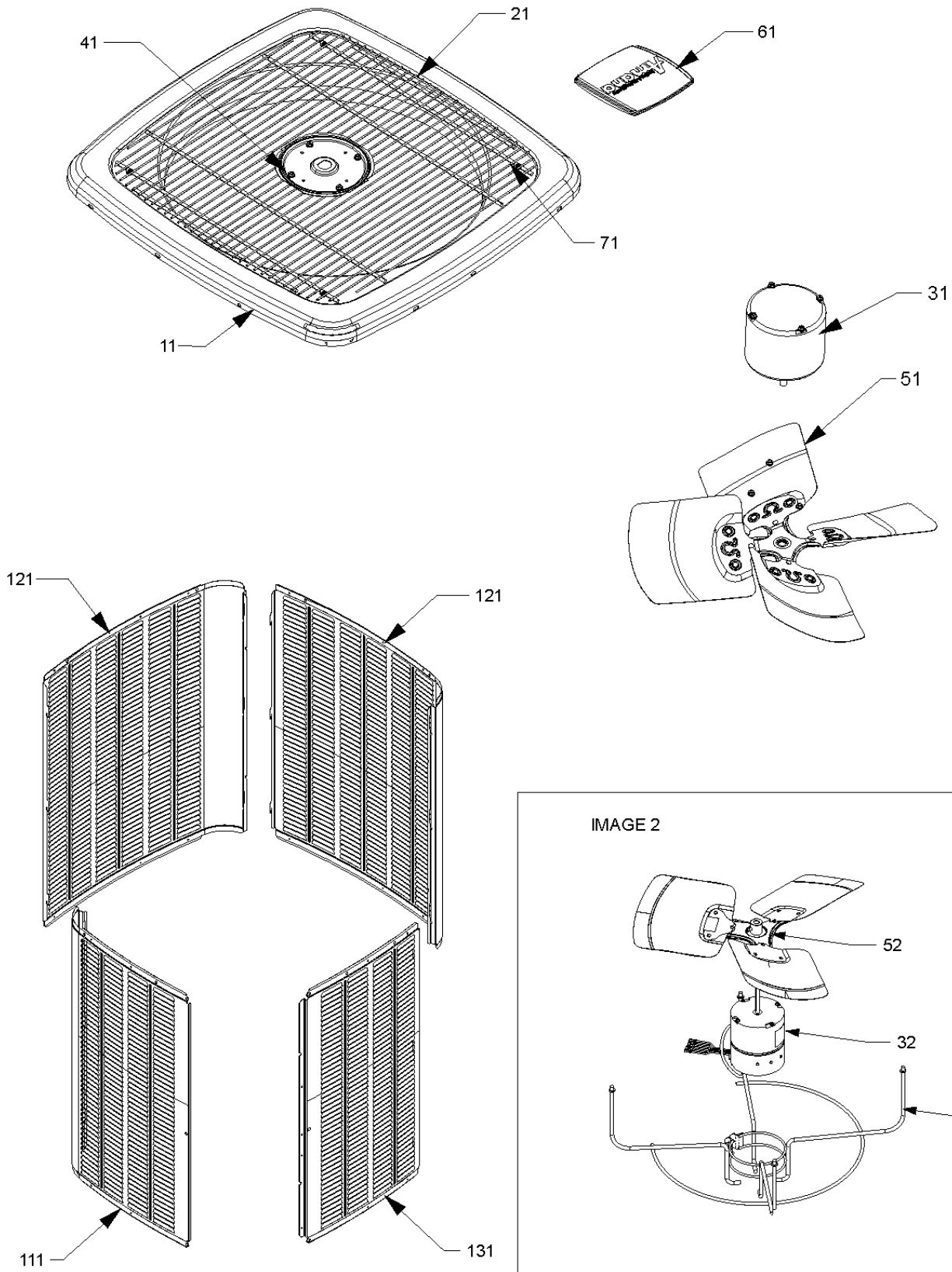
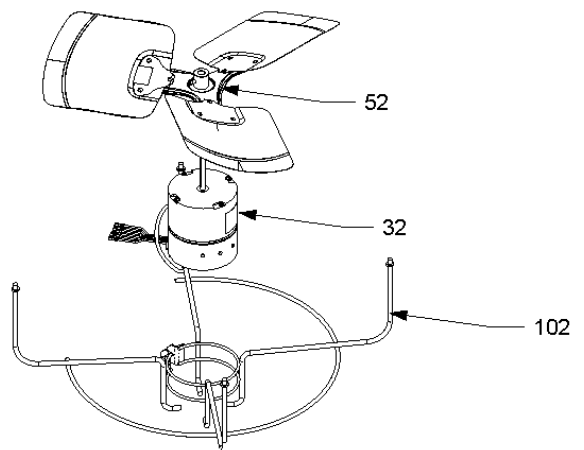


IMAGE 2



Cabinet Top / Side Panels

**Ref. Part
No: No:**

Description:

**Ref. Part
No: No:**

Description:

Image 1:

11	0121R00011PDG	VENTURI TOP PANEL 29" (M1, M2, M3, M4, M5)
11	0121R00013PDG	VENTURI TOP PANEL 35" (M6, M7, M8, M9, M10, M11, M12, M13, M14, M15, M16, M17, M18, M19, M20, M21, M22, M23, M24, M25, M26, M27, M28)
21	0152R00011	GRILLE, WIRE 29" TOP (M1, M2, M3, M4, M5)
21	0152R00012	GRILLE, WIRE 35" TOP (M6, M7, M8, M9, M10, M11, M12, M13, M14, M15, M16, M17, M18, M19, M20, M21, M22, M23, M24, M25, M26, M27, M28)
31	0131M00115	COND MOTOR 1/6 HP 2SP 8PL (M1, M2, M3, M4, M5, M6, M7, M8, M9, M10, M11, M12, M13, M14, M16, M17, M18)
41	M0280801	HEX NUT (M1, M2, M3, M4, M5, M6, M7, M8, M9, M10, M11, M12, M13, M14, M15, M16, M17, M18)
51	10625737	FAN BLADE 22" ALUM CCW (M1, M2, M3, M4, M5)
51	10625738S	FAN BLADE 26" ALUM CCW (M6, M7, M8, M9, M10, M11, M12, M13, M14, M15, M16, M17, M18)
61	0161R00008P	AMANA LOGO CAP
71	0163M00003P	SCREW #10 X 1/2, A, SLOT, SR, BLACK (QTY 6)
111	4400464PLGB	LOUVERED SIDE PANEL [LT OF CNTL PNL] (M6, M7, M8, M9, M10, M11, M12, M13, M14, M15, M16, M17, M18)
111	0270R00342LGB	LOUVERED SIDE PANEL [LT OF CNTL PNL] (M19, M20, M21, M22, M23, M24, M25, M26, M27, M28)
111	4400458PLGB	LOUVERED SIDE PANEL [LT OF CNTL PNL] (M1, M2, M3, M4, M5)
121	0270R00343LGB	LOUVERED SIDE PANEL (M19, M20, M21, M22, M2, M24, M25, M26, M27, M28)
121	4400460PLGB	LOUVERED SIDE PANEL (M1, M2, M3, M4, M5)
121	4400466PLGB	LOUVERED SIDE PANEL (M6, M7, M8, M9, M10, M11, M12, M13, M14, M15, M16, M17, M18)
131	0270R00344LG	LOUVERED SIDE PANEL [RT OF CNTL PNL] (M19, M20, M21, M22, M23, M24, M25, M26, M27, M28)
131	4400462PLG	LOUVERED SIDE PANEL [RT OF CNTL PNL] (M1, M2, M3, M4, M5)
131	4400468PLG	LOUVERED SIDE PANEL [RT OF CNTL PNL] (M6, M7, M8, M9, M10, M11, M12, M13, M14, M15, M16, M17, M18)
NS	0161R00002P	CONDUIT (M1, M2, M3, M4, M5)
NS	0161R00004P	CONDUIT (M6, M7, M8, M9, M10, M11, M12, M13, M14, M15, M16, M17, M18)

Expanded Model Nomenclature

M1 - ASZC160241AA
M2 - ASZC160241AB
M3 - ASZC160241AC
M4 - ASZC160241AD
M5 - ASZC160241AE
M6 - ASZC160361AA
M7 - ASZC160361AB
M8 - ASZC160361AC
M9 - ASZC160361AD
M10 - ASZC160361AE
M11 - ASZC160481AA
M12 - ASZC160481AB
M13 - ASZC160481AC
M14 - ASZC160481AD
M15 - ASZC160601AA
M16 - ASZC160601AB
M17 - ASZC160601BA
M18 - ASZC160601BB
M19 - ASZC180361AA
M20 - ASZC180361AB
M21 - ASZC180361AC
M22 - ASZC180361AD
M23 - ASZC180481AA
M24 - ASZC180481AB
M25 - ASZC180481AC
M26 - ASZC180601AA
M27 - ASZC180601AB
M28 - ASZC180601BA

Image 2:

32	0131M00129	COND MOTOR, ECM (M19, M20, M21, M22, M23, M24, M25, M26, M27, M28)
52	0150M00010	FAN BLADE 26" ALUM CCW (M19, M20, M21, M22, M23, M24, M25, M26, M27, M28)
102	0121R00301	BRACKET, MOTOR MOUNT (M19, M20, M21, M22, M23, M24, M25, M26, M27, M28)
NS	B1393024	LOCK NUT (M19, M20, M21, M22, M23, M24, M25, M26, M27, M28)

Control & Access Panel/Cover/Cond Coil

Image 1

*If end bells are needed please order the following:

0131M00182 - 1/2 HP

0131M00183 - 3/4 HP

0131M00184 - 1 HP

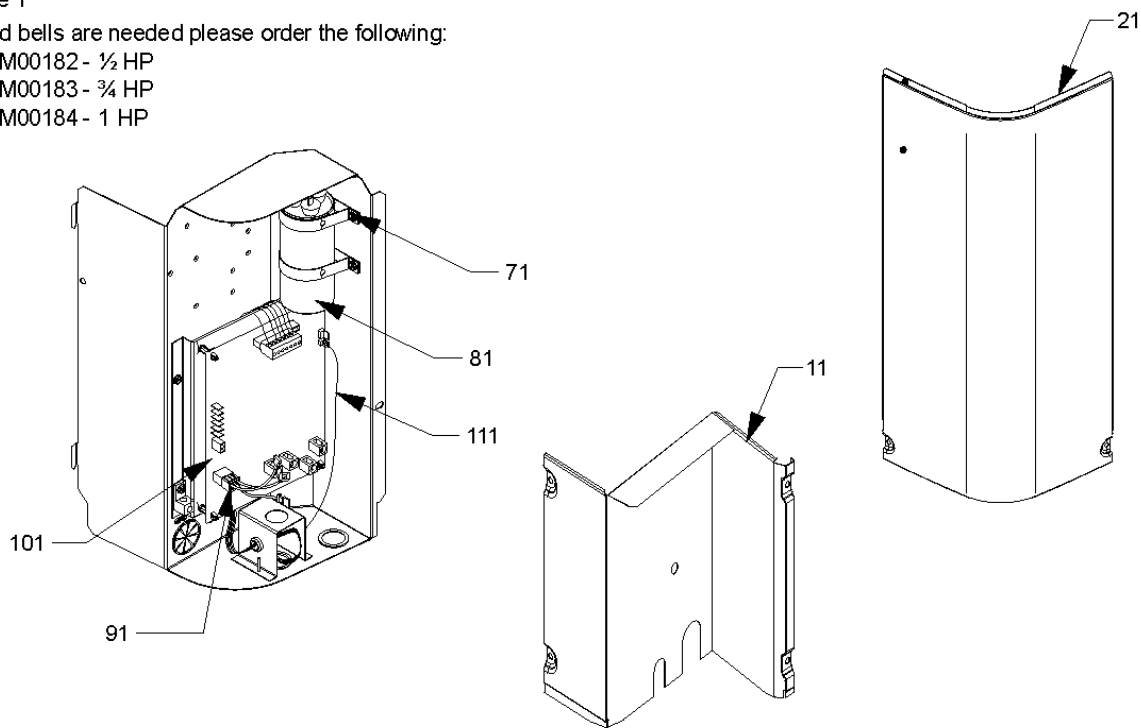
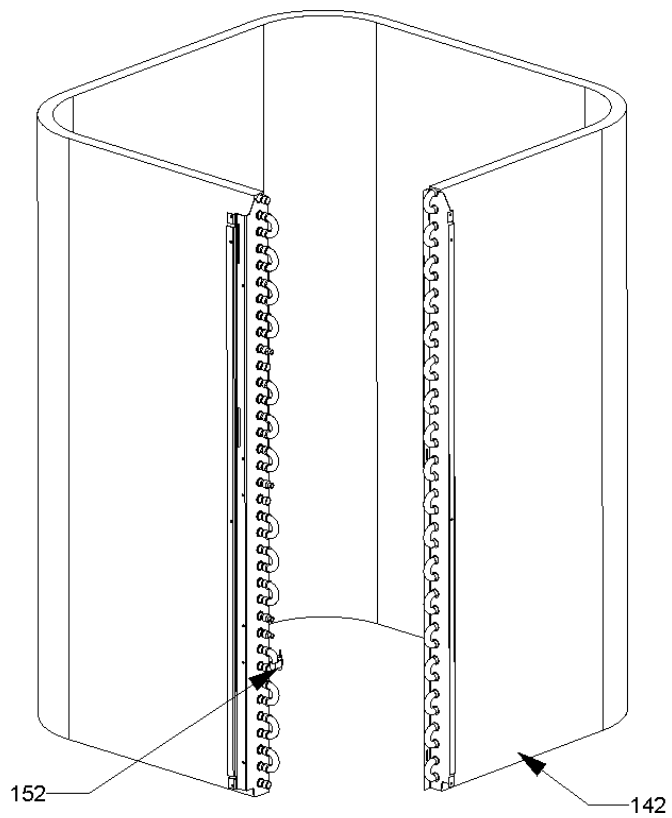


Image 2



Control & Access Panel/Cover/Cond Coil

Ref. Part No: No:	Description:	Ref. Part No: No:	Description:
-------------------	--------------	-------------------	--------------

Image 1:

11	0121R00317	LOWER ACCESS PANEL
21	0121R00054PDG	CONTROL COVER
71	0121R00213	CAPACITOR STRAP (QTY 2)
81	CAP050350440RS	CAPACITOR 5/35/440V (M1, M2, M3, M4, M5)
81	CAP050400440RT	CAPACITOR 5/40/440V (M6, M7, M8, M9, M10, M19, M20, M21, M22)
81	CAP050450440RT	CAPACITOR 5/45/440V (M11, M12, M13, M14, M23, M24, M25)
81	CAP050800440RT	CAPACITOR 5/80/440V (M15, M16, M17, M18, M26, M27, M28)
91	0159R00006	WIRE ASSY, ECM MOTOR (M19, M20, M21, M22, M23, M24, M25, M26, M27, M28)
91	0159R00005	WIRE ASSY, PSC MOTOR (M1, M2, M3, M4, M5, M6, M7, M8, M9, M10, M11, M12, M13, M14, M15, M16, M17, M18)
101	PCBHR103	PCB, Control Board
111	0130M00054	OUTDOOR AIR TEMP SENSOR
NS	0161R00010P	AMANA NAMEPLATE

Image 2:

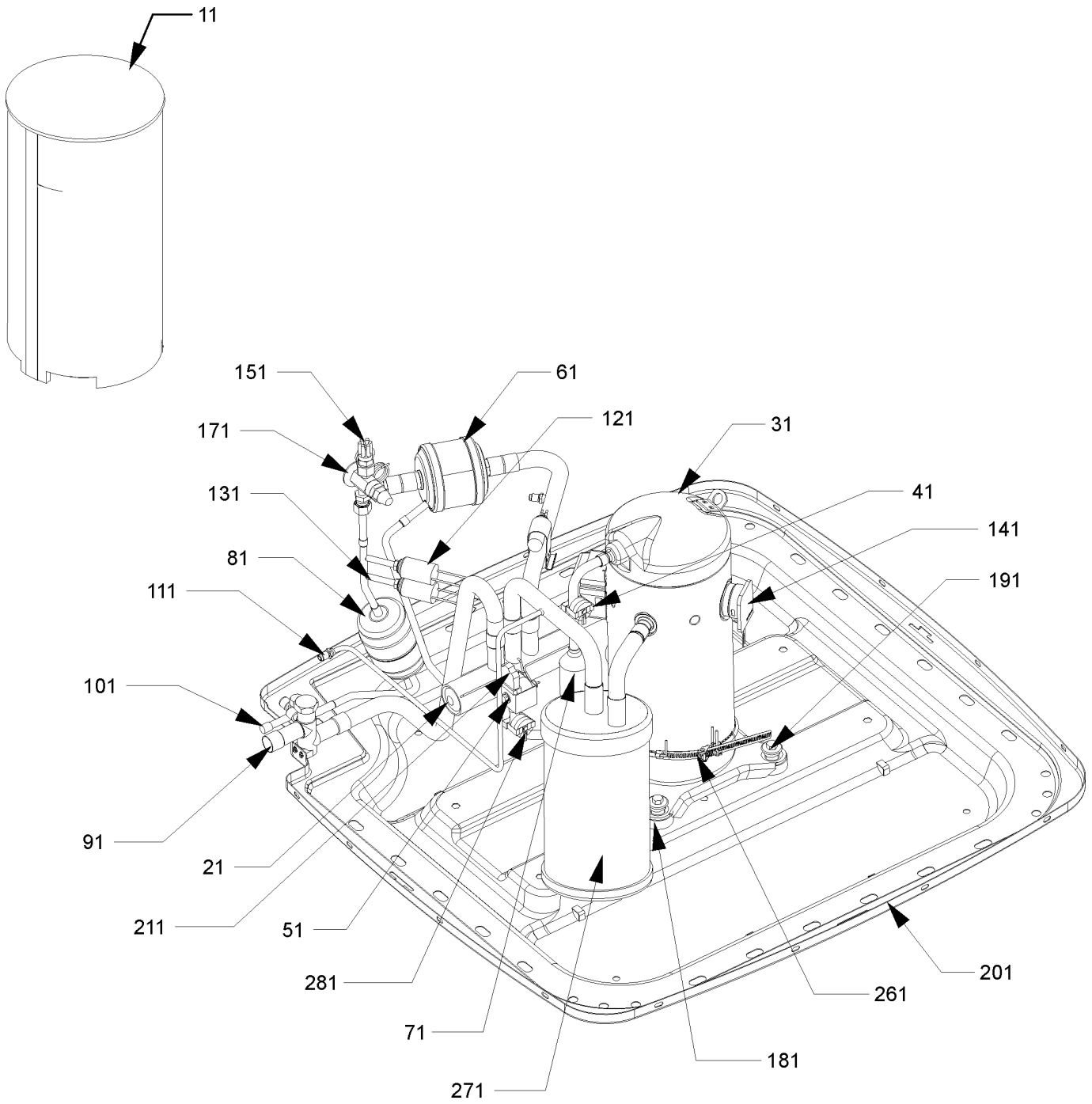
142	0201R00200	COIL TUBING ASSY (M1, M2)
142	0201R00201	COIL TUBING ASSY (M6, M7)
142	0201R00203	COIL TUBING ASSY (M11, M12, M15, M16, M23, M24, M26, M27)
142	0201R00204	COIL TUBING ASSY (M19, M20)
142	0201R00341	COIL TUBING ASSY (M13, M14, M17, M18, M25, M2)
142	0201R00346	COIL TUBING ASSY (M3, M4, M5)
142	0201R00347	COIL TUBING ASSY (M8, M9, M10)
142	0201R00348	COIL TUBING ASSY (M21, M22)
152	0130M00053	OUTDOOR COIL TEMP SENSOR

Expanded Model Nomenclature

M1 - ASZC160241AA
M2 - ASZC160241AB
M3 - ASZC160241AC
M4 - ASZC160241AD
M5 - ASZC160241AE
M6 - ASZC160361AA
M7 - ASZC160361AB
M8 - ASZC160361AC
M9 - ASZC160361AD
M10 - ASZC160361AE
M11 - ASZC160481AA
M12 - ASZC160481AB
M13 - ASZC160481AC
M14 - ASZC160481AD
M15 - ASZC160601AA
M16 - ASZC160601AB
M17 - ASZC160601BA
M18 - ASZC160601BB
M19 - ASZC180361AA
M20 - ASZC180361AB
M21 - ASZC180361AC
M22 - ASZC180361AD
M23 - ASZC180481AA
M24 - ASZC180481AB
M25 - ASZC180481AC
M26 - ASZC180601AA
M27 - ASZC180601AB
M28 - ASZC180601BA

*If end bells are needed please order the following:
 0131M00182 - 1/2 HP
 0131M00183 - 3/4 HP
 0131M00184 - 1 HP

Basepan / Compressor / Tubing Assembly



Basepan / Compressor / Tubing Assembly

Ref. Part No: No:	Description:	Ref. Part No: No:	Description:																												
<i>Image 1:</i>		<i>Image 1:</i>																													
11 B1488806	COMPRESSOR SOUND BLANKET (M1, M2, M6, M7, M11, M12, M13, M14, M15, M16, M17, M18, M19, M20, M23, M24, M25, M26, M27, M28)	261 0163R00006	HEATER, CRANKCASE 230V, 40W (M3, M4, M5, M6, M9, M10, M19, M20, M21, M22)																												
11 B1488810	COMPRESSOR SOUND BLANKET (M3, M4, M5, M8, M9, M10, M21, M22)	261 0163R00007	HEATER, CRANKCASE 230V, 40W (M13, M14, M17, M18, M25, M28)																												
21 0151M00018	REVERSING VALVE (M1, M2, M3, M4, M5)	271 0151L00008	ACCUMULATOR (M3, M4, M5)																												
21 0151M00021	REVERSING VALVE (M6, M7, M8, M9, M10, M11, M12, M13, M14, M15, M16, M17, M18, M19, M20, M21, M22, M23, M24, M25, M26, M27, M28)	271 0151L00009	ACCUMULATOR (M8, M9, M10, M21, M22)																												
31 ZPS49K4EPFV230	COMP, 49200, 208/230/60/1/2STG (M17, M18, M28)	271 0151L00010	ACCUMULATOR (M13, M14, M17, M18, M25, M28)																												
31 ZPS20K4EPFV230	COMPRESSOR 20000, 208/230/60/1/2STG (M1, M2, M3, M4, M5)	281 0130R00045	CRANKCASE HEATER SWITCH (M3, M4, M5, M8, M9, M10, M13, M14, M17, M18, M19, M20, M21, M22, M25, M28)																												
31 ZPS30K4EPFV230	COMPRESSOR 30000, 208/230/60/1/2STG (M6, M7, M8, M9, M10, M19, M20, M21, M22)	NS 0163M00087	ACCESS FITTING (M3, M4, M5, M8, M9, M10, M13, M14, M17, M18, M21, M22, M25, M28)																												
31 ZPS40K4EPFV230	COMPRESSOR 40000, 208/230/60/1/2STG (M11, M12, M13, M14, M23, M24, M25)	NS B1373305	ACCESS FITTING																												
31 ZPS51K4EPFV230	COMPRESSOR 52000, 208/230/60/1/2STG (M15, M16, M26, M27)	NS B1373310	ACCESS FITTING (M1, M2, M6, M7, M11, M12, M15, M16, M19, M20, M23, M24, M26, M27)																												
41 11046710	DISC-THERMOSTAT	NS 0163M00175	CAP WITH O-RING																												
51 B1225022	SOLENOID COIL	NS B1796633	TEFLON O-RING (QTY 2)																												
61 20270812	COMPENSATOR (M11, M12, M13, M14, M15, M16, M17, M18, M19, M20, M21, M22, M23, M24, M25, M26, M27, M28)	Expanded Model Nomenclature																													
61 0151R00005	COMPENSATOR 16 OZ (M6, M7, M8, M9, M10)	<table border="1"> <tr><td>M1 - ASZC160241AA</td></tr> <tr><td>M2 - ASZC160241AB</td></tr> <tr><td>M3 - ASZC160241AC</td></tr> <tr><td>M4 - ASZC160241AD</td></tr> <tr><td>M5 - ASZC160241AE</td></tr> <tr><td>M6 - ASZC160361AA</td></tr> <tr><td>M7 - ASZC160361AB</td></tr> <tr><td>M8 - ASZC160361AC</td></tr> <tr><td>M9 - ASZC160361AD</td></tr> <tr><td>M10 - ASZC160361AE</td></tr> <tr><td>M11 - ASZC160481AA</td></tr> <tr><td>M12 - ASZC160481AB</td></tr> <tr><td>M13 - ASZC160481AC</td></tr> <tr><td>M14 - ASZC160481AD</td></tr> <tr><td>M15 - ASZC160601AA</td></tr> <tr><td>M16 - ASZC160601AB</td></tr> <tr><td>M17 - ASZC160601BA</td></tr> <tr><td>M18 - ASZC160601BB</td></tr> <tr><td>M19 - ASZC180361AA</td></tr> <tr><td>M20 - ASZC180361AB</td></tr> <tr><td>M21 - ASZC180361AC</td></tr> <tr><td>M22 - ASZC180361AD</td></tr> <tr><td>M23 - ASZC180481AA</td></tr> <tr><td>M24 - ASZC180481AB</td></tr> <tr><td>M25 - ASZC180481AC</td></tr> <tr><td>M26 - ASZC180601AA</td></tr> <tr><td>M27 - ASZC180601AB</td></tr> <tr><td>M28 - ASZC180601BA</td></tr> </table>		M1 - ASZC160241AA	M2 - ASZC160241AB	M3 - ASZC160241AC	M4 - ASZC160241AD	M5 - ASZC160241AE	M6 - ASZC160361AA	M7 - ASZC160361AB	M8 - ASZC160361AC	M9 - ASZC160361AD	M10 - ASZC160361AE	M11 - ASZC160481AA	M12 - ASZC160481AB	M13 - ASZC160481AC	M14 - ASZC160481AD	M15 - ASZC160601AA	M16 - ASZC160601AB	M17 - ASZC160601BA	M18 - ASZC160601BB	M19 - ASZC180361AA	M20 - ASZC180361AB	M21 - ASZC180361AC	M22 - ASZC180361AD	M23 - ASZC180481AA	M24 - ASZC180481AB	M25 - ASZC180481AC	M26 - ASZC180601AA	M27 - ASZC180601AB	M28 - ASZC180601BA
M1 - ASZC160241AA																															
M2 - ASZC160241AB																															
M3 - ASZC160241AC																															
M4 - ASZC160241AD																															
M5 - ASZC160241AE																															
M6 - ASZC160361AA																															
M7 - ASZC160361AB																															
M8 - ASZC160361AC																															
M9 - ASZC160361AD																															
M10 - ASZC160361AE																															
M11 - ASZC160481AA																															
M12 - ASZC160481AB																															
M13 - ASZC160481AC																															
M14 - ASZC160481AD																															
M15 - ASZC160601AA																															
M16 - ASZC160601AB																															
M17 - ASZC160601BA																															
M18 - ASZC160601BB																															
M19 - ASZC180361AA																															
M20 - ASZC180361AB																															
M21 - ASZC180361AC																															
M22 - ASZC180361AD																															
M23 - ASZC180481AA																															
M24 - ASZC180481AB																															
M25 - ASZC180481AC																															
M26 - ASZC180601AA																															
M27 - ASZC180601AB																															
M28 - ASZC180601BA																															
61 0151R00006	COMPENSATOR 3.5 (M1, M2, M3, M4, M5)																														
71 0162R00007	MUFFLER 1/2 X 1/2 (M1, M2, M3, M4, M5, M6, M7, M8, M9, M10, M11, M12, M13, M14, M15, M16, M17, M18, M21, M22, M23, M24, M25, M26, M27, M28)																														
71 B1219301	MUFFLER 1/2 X 1/2 (M19, M20)																														
81 20485201	BI-FLOW FILTER DRIER																														
91 0151R00032	VALVE, BASE 3/4" OPEN LEFT (M1, M2, M3, M4, M5)																														
91 0151R00033	VALVE, BASE 7/8" OPEN LEFT (M6, M7, M8, M9, M10, M11, M12, M13, M14, M15, M16, M17, M18, M19, M20, M21, M22, M23, M24, M25, M26, M27, M28)																														
101 B12825171	3/8" SERVICE VALVE																														
111 B1787000	VALVE CORE																														
121 0130R00003	HIGH PRESSURE SWITCH																														
131 0130R00002	LOW PRESSURE SWITCH																														
141 0130M00005P	WIRE HARNESS, COMPRESSOR SOLENOID																														
151 0162M00027	FLOWRATOR .188 (M6, M7, M8, M9, M10, M11, M12, M13, M14, M15, M16, M17, M18, M19, M20, M21, M22, M23, M24, M25, M26, M27, M28)																														
151 0162M00045	FLOWRATOR .188 (M1, M2, M3, M4, M5)																														
171 0151M00002	TXV VALVE (M6, M7, M8, M9, M10, M19, M20, M21, M22)																														
171 0151M00004	TXV VALVE (M1, M2, M3, M4, M5)																														
171 0151M00010	TXV VALVE (M11, M12, M13, M14, M15, M16, M17, M18, M23, M24, M25, M26, M27, M28)																														
181 0164M00018	COMPRESSOR GROMMET (M19, M20, M21, M22, M23, M24, M25, M26, M27, M28)																														
181 B1339533	COMPRESSOR GROMMET (M1, M2, M3, M4, M5, M6, M7, M8, M9, M10, M11, M12, M13, M14, M15, M16, M17, M18)																														
191 M0221641	TF SHOULDER SCREW (QTY 4)																														
201 0121R00006PDG	BASE PAN 29" (M1, M2, M3, M4, M5)																														
201 0121R00007PDG	BASE PAN 35" (M6, M7, M8, M9, M10, M11, M12, M13, M14, M15, M16, M17, M18, M19, M20, M21, M22, M23, M24, M25, M26, M27, M28)																														
211 B1225024	SOLENOID COIL CORD W/1/4"TERMI (M1, M6, M11, M15, M19, M23, M26)																														
211 0130M00084	SOLENOID HARNESS W/1/4" TERM (M2, M3, M4, M5, M7, M8, M9, M10, M12, M13, M14, M16, M17, M18, M20, M21, M22, M24, M25, M27, M28)																														