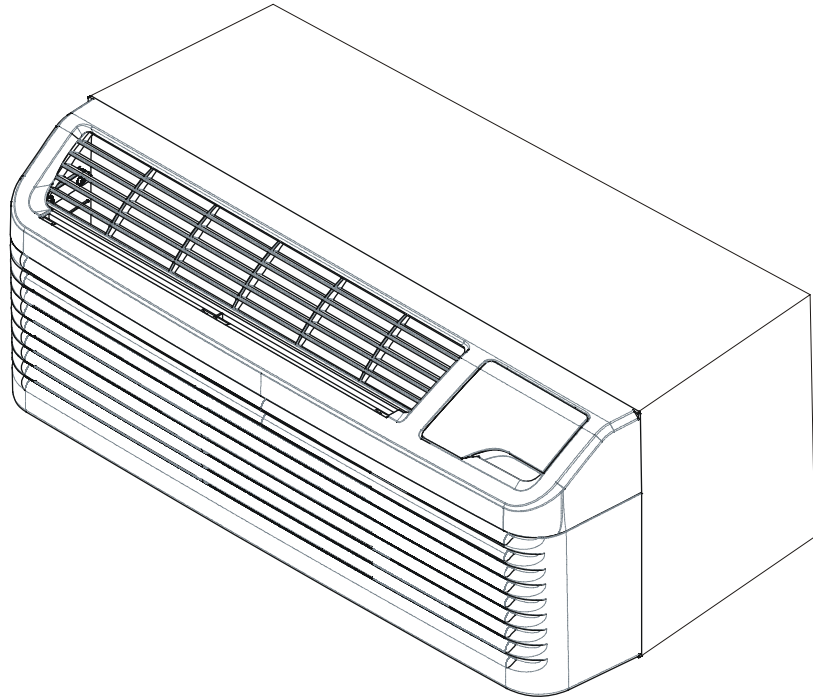


# REPAIR PARTS

## PTH Series R410A Heat Pumps

---

PTH073E25AXXXAB  
PTH073E35AXXXAB  
PTH093E25AXXXAB  
PTH093E25RXXXAB  
PTH093E35AXXXAB  
PTH093E35CXXXAB  
PTH093E35RXXXAB  
PTH123E25AXXXAB  
PTH123E35AXXXAB  
PTH153E25AXXXAA  
PTH153E35AXXXAA  
PTH153E50AXXXAA



This manual is to be used by qualified technicians only.

© 2009 Goodman Manufacturing Company, L.P. ♦ 5151 San Felipe, Suite 500 ♦ Houston, TX 77056

# Important Information

---

## Index

Functional Parts List .....	3
Illustration and Parts .....	4 - 13

*Views shown are for parts illustrations only, not servicing procedures.*

This system uses R410A refrigerant. If sealed system work is required, use approved equipment and follow service procedures. Refer to Service Manual or Installation Instructions for service procedures.

### Text Codes:

AR - As Required

NA - Not Available

NS - Not Shown

00000000 - See Note

QTY - Quantity Example (QTY 3) (If Quantity not shown, Quantity = 1)

M - Model Example (M1) (If M Code not shown, then part is used on all Models)

### Expanded Model Nomenclature:

Example
M1 - Model#1
M2 - Model#2
M3 - Model#3

Goodman Manufacturing Company, L.P. is not responsible for personal injury or property damage resulting from improper service. Review all service information before beginning repairs.

Warranty service must be performed by an authorized technician, using authorized factory parts. If service is required after the warranty expires, Goodman Manufacturing Company, L.P. also recommends contacting an authorized technician and using authorized factory parts.

Goodman Manufacturing Company, L.P. reserves the right to discontinue, or change at any time, specifications or designs without notice or without incurring obligations.

For assistance within the U.S.A. contact:  
Consumer Affairs Department  
Goodman Manufacturing Company, L.P.  
7401 Security Way  
Houston, Texas 77040  
877-254-4729-Telephone  
713-863-2382-Facsimile

For assistance outside the U.S.A. contact:  
International Division  
Goodman Manufacturing Company, L.P.  
7401 Security Way  
Houston, Texas 77040  
713-861-2500-Telephone  
713-863-2382-Facsimile

# Functional Parts

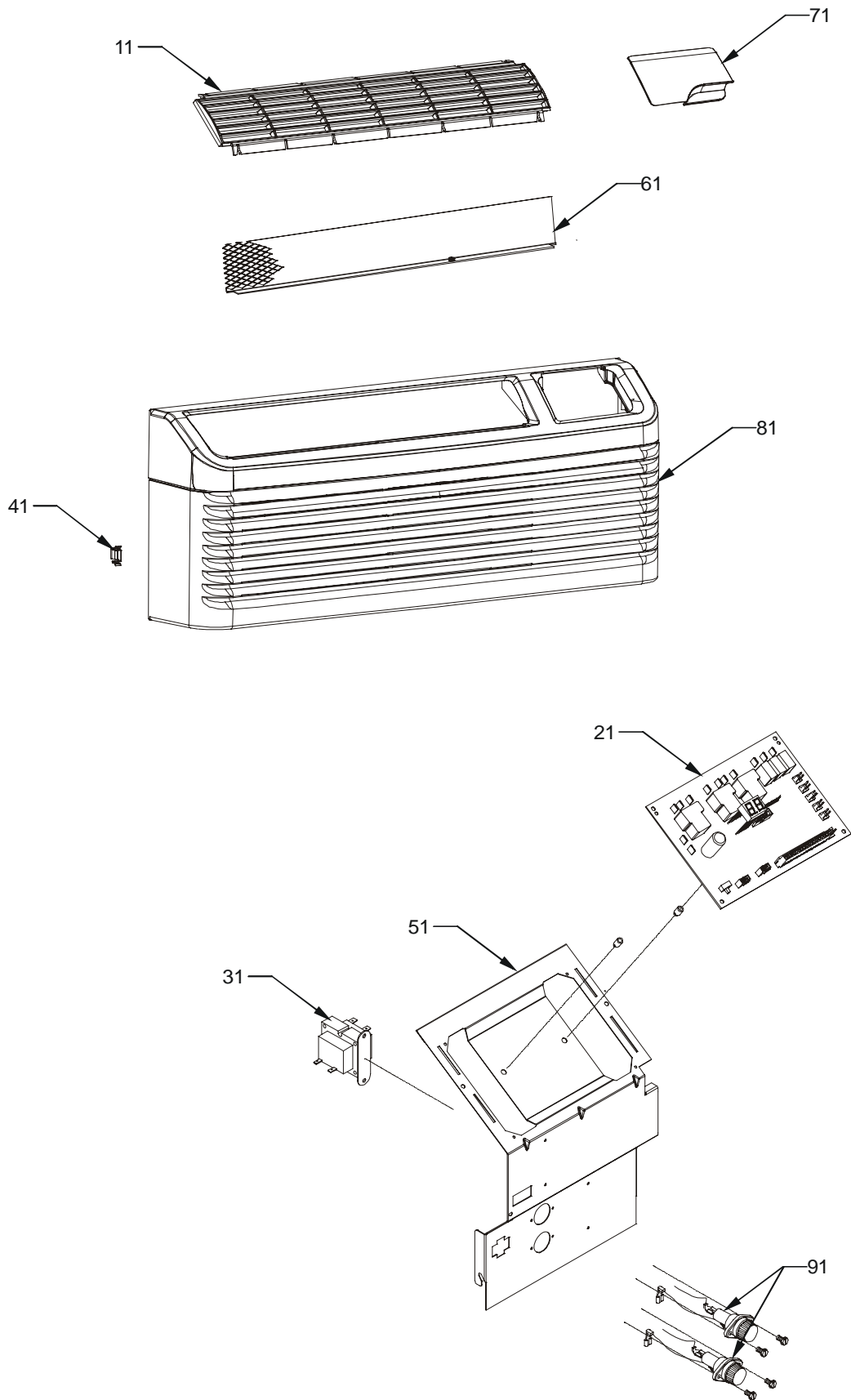
## Part

## No: Description:

---

CAP030200440RS	CAP, 3/20 MFD/440V/DUAL RD (M1, M2)
CAP030250440RS	CAP, 3/25 MFD/440V/DUAL RD (M3, M4, M5, M6)
CAP030300440RS	CAP, 3/30 MFD/440V/DUAL RD (M8, M9, M10)
CAP020000440P	CAPACITOR, 440V
CAP020250500RS	CAPACITOR, 500V (M7)
44A207A	COMPRESSOR, RECHI (M7)
44A282A	COMPRESSOR, RECHI (M8, M9)
39A162A	COMPRESSOR, RECHI (M1, M2)
44A202A	COMPRESSOR, RECHI (M3, M4, M5, M6)
50A362Q	COMPRESSOR, RECHI (M10)
PCBCP131	CONTROL BOARD M61
0131P00017	FAN MOTOR OUTDOOR (M7)
0131P00007	FAN MOTOR, INDOOR (M10)
0131P00006	FAN MOTOR, INDOOR (M1, M2, M3, M4, M5, M6, M7, M8, M9)
0131P00014	FAN MOTOR, OUTDOOR (M1, M2, M3, M4, M5, M6, M8, M9)
0131P00008	FAN MOTOR, OUTDOOR (M10)
0275P00000	HEATER ASSY (M2, M5, M6, M7, M9, M10)
0275P00002	HEATER ASSY (M1, M3, M4, M8)
60343546	OVERLOAD PROTECTOR (M10)
60343503	OVERLOAD PROTECTOR (M8, M9)
60343539	OVERLOAD PROTECTOR (M3, M4, M5, M6)
60343516	OVERLOAD PROTECTOR (M1, M2, M7)
0130M00066	SWITCH, HIGH PRESS
20295711	THERMISTOR (M3, M4, M5, M6, M7, M8, M9, M10)
0130P00038	THERMISTOR-DISCHARGE
20295709	THERMISTOR-HEAT PUMP (M1, M2)
20295707	THERMISTOR-INDOOR COIL (M1, M2)
0130P00033	THERMISTOR-INDOOR COIL (M3, M4, M5, M6, M7, M8, M9, M10)
20512501	TRANSFORMER (HYDRONIC)
0150P00003	WHEEL, BLOWER

# Front Assy



# Front Assy

Ref. Part No:	No:	Description:	Ref. Part No:	No:	Description:
---------------	-----	--------------	---------------	-----	--------------

---

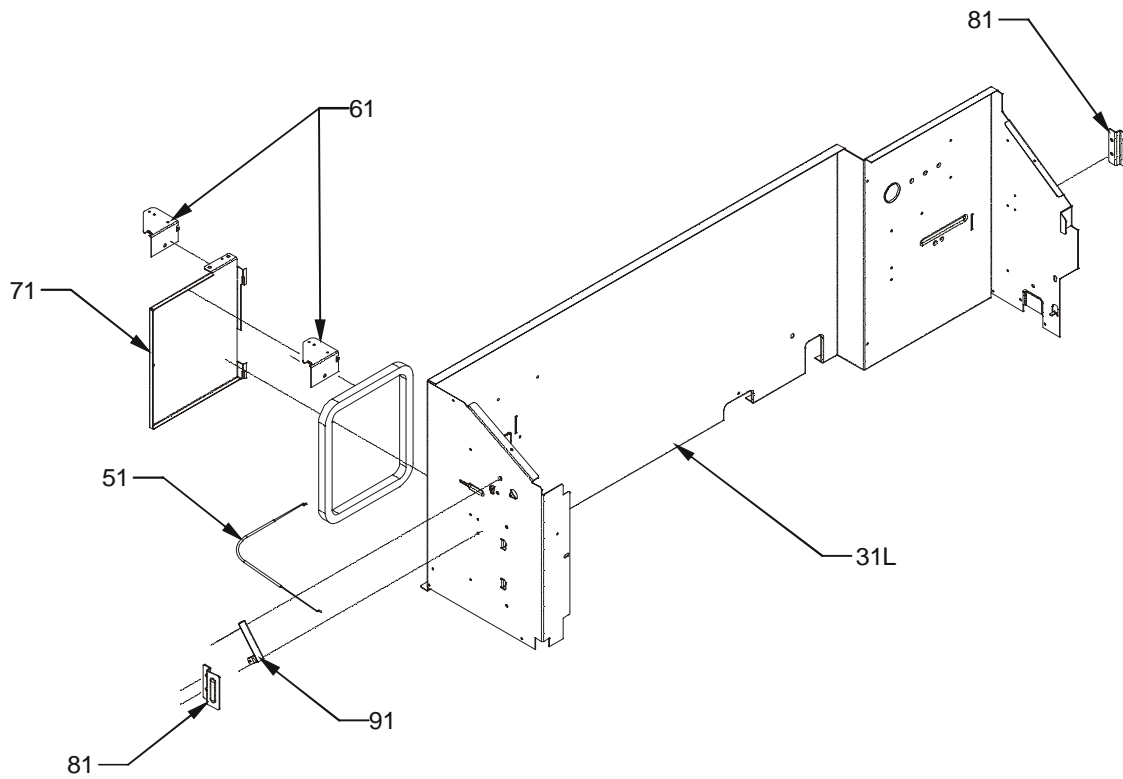
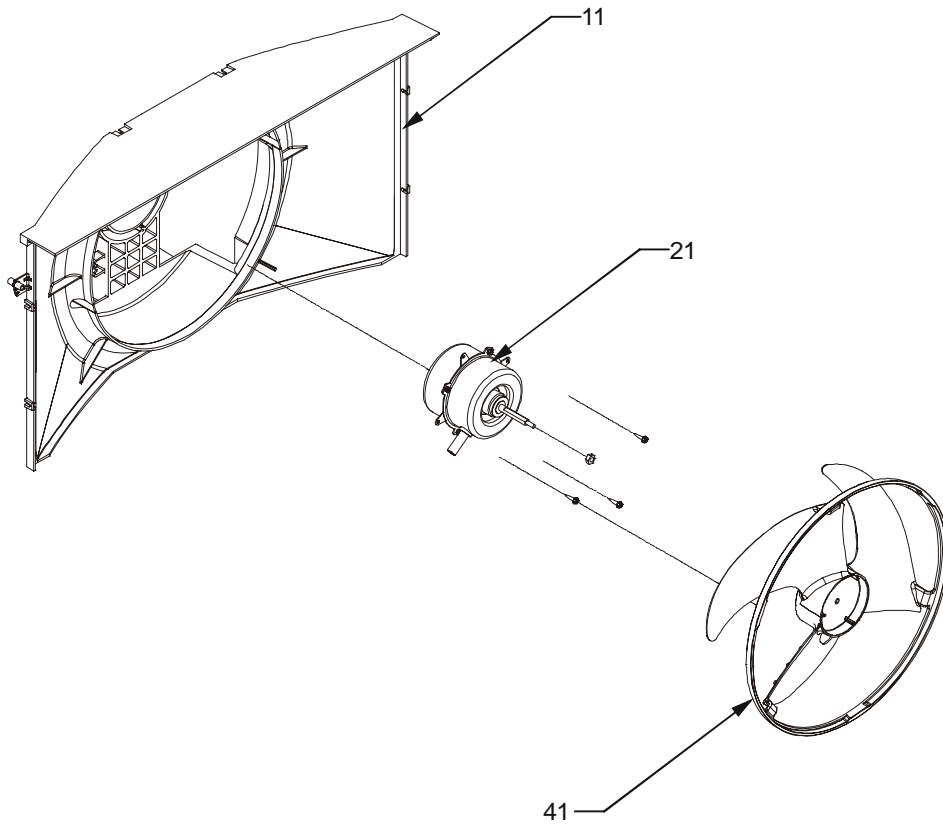
Image 1:

11	0161P00033	FRONT-DICHARGE LOUVERS
21	PCBCP131	CONTROL BOARD M61
31	20512501	TRANSFORMER (HYDRONIC)
41	0163P00025	CLIP (QTY 2)
51	11044505	CONTROL PANEL
51	0121P00001P	CONTROL PANEL COVER
61	0121P00073DG	DISCHARGE SCREEN
71	0261P00003	DOOR ASSY -AMANA-
71	0161P00034	DOOR, ACCESS
81	0261P00006	FRONT ASSY
NS	1261401	DIGITENNA (M4, M7)

Expanded Model Nomenclature

- M1 - PTH073E25AXXXAB
- M2 - PTH073E35AXXXAB
- M3 - PTH093E25AXXXAB
- M4 - PTH093E25RXXXAB
- M5 - PTH093E35AXXXAB
- M6 - PTH093E35CXXXAB
- M7 - PTH093E35RXXXAB
- M8 - PTH123E25AXXXAB
- M9 - PTH123E35AXXXAB
- M10 - PTH153E35AXXXAA

# Chassis Control Panel



# Chassis Control Panel

Ref. Part No:	No:	Description:	Ref. Part No:	No:	Description:
---------------	-----	--------------	---------------	-----	--------------

---

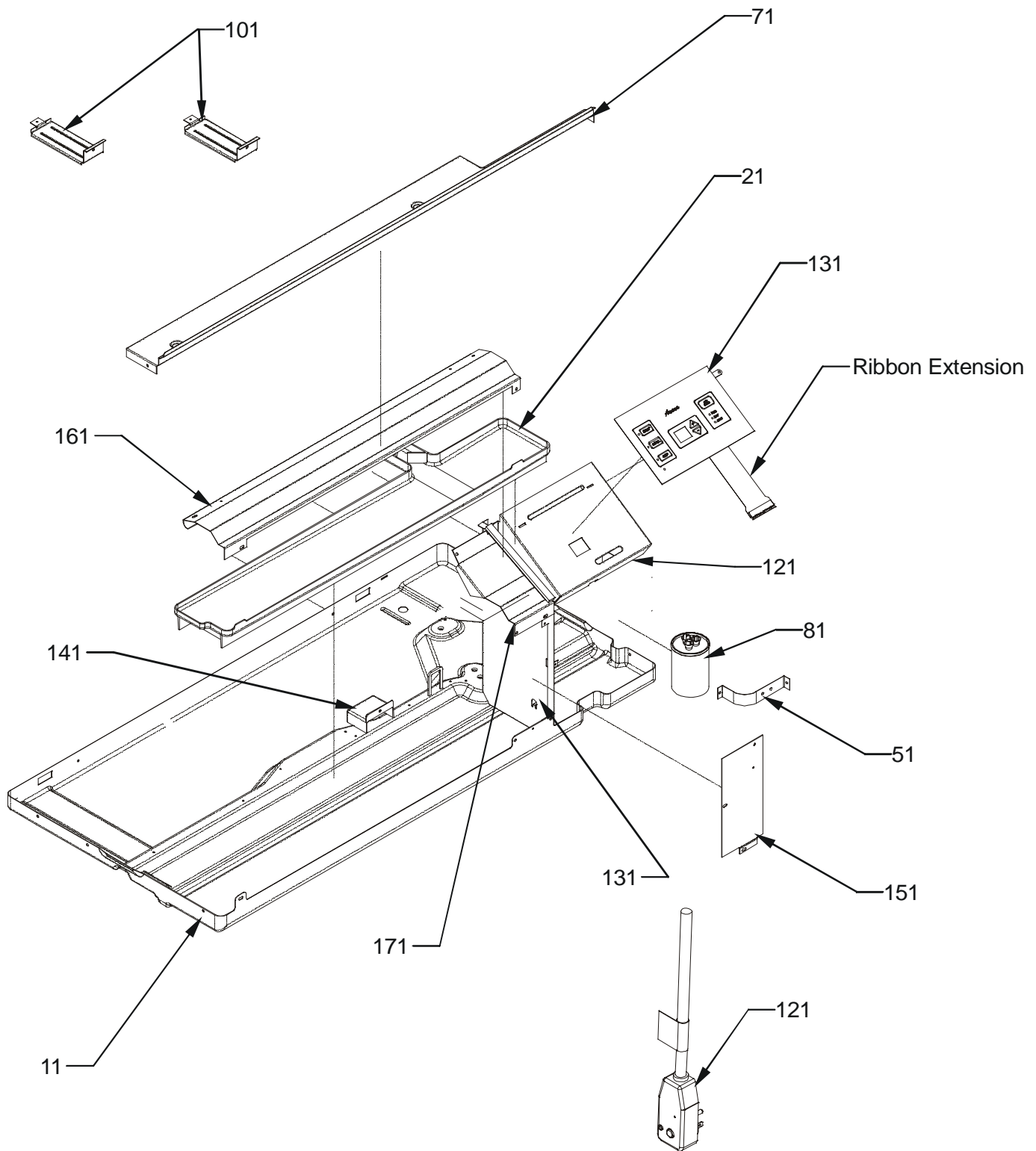
Image 1:

11	0161P00026	SHROUD, CONDENSER
21	0131P00017	FAN MOTOR OUTDOOR (M7)
21	0131P00008	FAN MOTOR, OUTDOOR (M10)
21	0131P00014	FAN MOTOR, OUTDOOR (M1, M2, M3, M4, M5, M6, M8, M9)
31	0121P00057DG	PARTITION PANEL PNT (M6)
41	0161P00030	FAN, CONDENSER
71	11046105PDG	VENT DOOR
81	11191703	PARTITION PANEL BRACKET (QTY 2)
91	11046302	LEVER ARM

Expanded Model Nomenclature

M1 - PTH073E25AXXXAB
M2 - PTH073E35AXXXAB
M3 - PTH093E25AXXXAB
M4 - PTH093E25RXXXAB
M5 - PTH093E35AXXXAB
M6 - PTH093E35CXXXAB
M7 - PTH093E35RXXXAB
M8 - PTH123E25AXXXAB
M9 - PTH123E35AXXXAB
M10 - PTH153E35AXXXAA

# Partition Assy





# Partition Assy

Ref. Part No:	No:	Description:	Ref. Part No:	No:	Description:
---------------	-----	--------------	---------------	-----	--------------

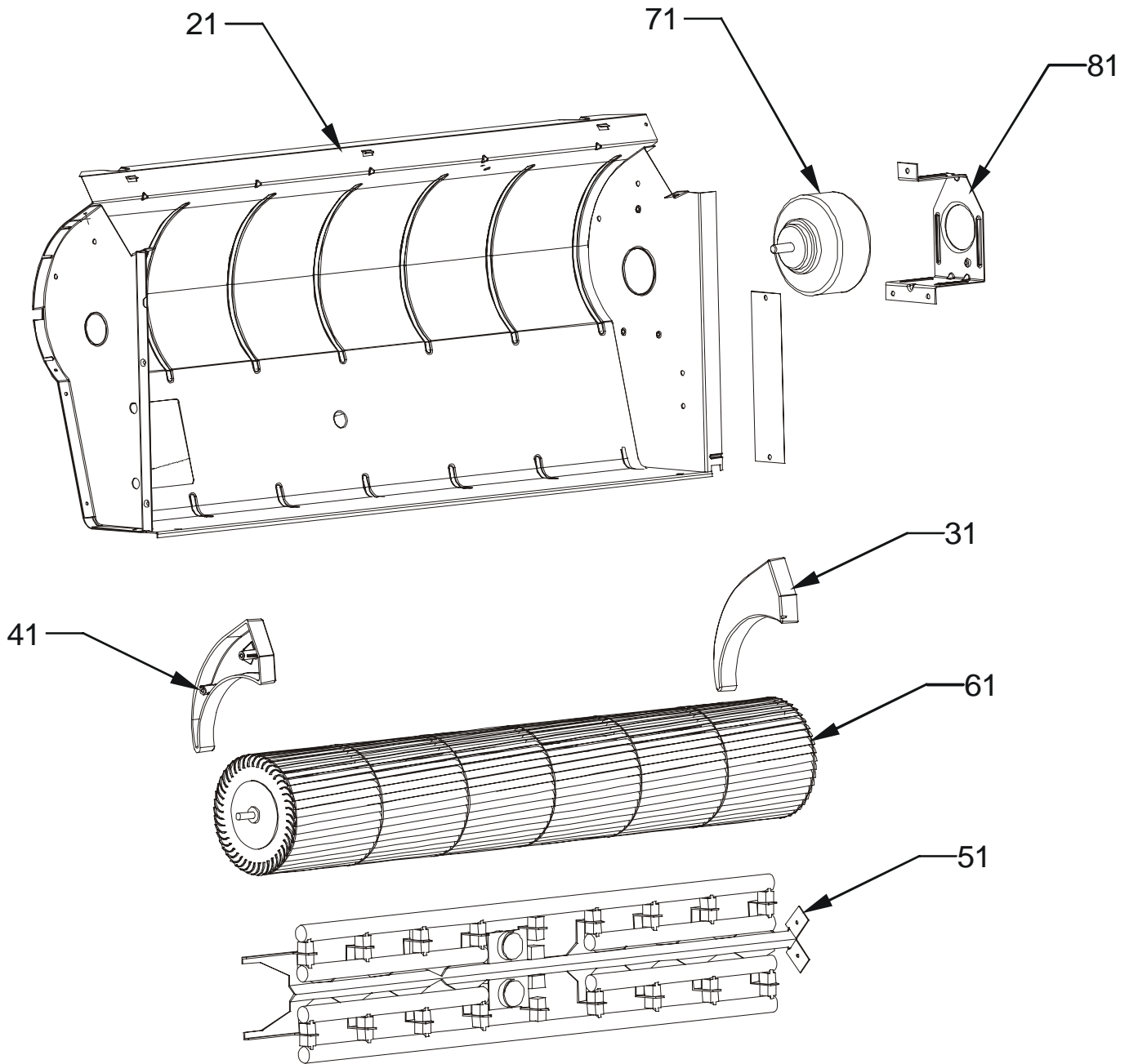
Image 1:

11	0121P00056DG	BASEPAN, PNT
21	0161P00023	PLASTIC-DRAIN PAN
51	C6300502	CAPACITOR STRAP
61	20410801	ACCESS COVER
71	0121P00063DG	TOP, PARTITION PANEL PNT (M6)
81	CAP030200440RS	CAP, 3/20 MFD/440V/DUAL RD (M1, M2)
81	CAP030250440RS	CAP, 3/25 MFD/440V/DUAL RD (M3, M4, M5, M6)
81	CAP030300440RS	CAP, 3/30 MFD/440V/DUAL RD (M8, M9, M10)
81	CAP020000440P	CAPACITOR, 440V
81	CAP020250500RS	CAPACITOR, 500V (M7)
131	20403301	MID PARTITION PANEL
141	0161P00016	PLASTIC-HOOD
161	0121P00061DG	CUTOFF-SCROLL DG
171	0121P00070DG	COVER, MOTOR PNT
NS	20406303	BASE PAN VALVE

Expanded Model Nomenclature

M1 - PTH073E25AXXXAB
M2 - PTH073E35AXXXAB
M3 - PTH093E25AXXXAB
M4 - PTH093E25RXXXAB
M5 - PTH093E35AXXXAB
M6 - PTH093E35CXXXAB
M7 - PTH093E35RXXXAB
M8 - PTH123E25AXXXAB
M9 - PTH123E35AXXXAB
M10 - PTH153E35AXXXAA

# Indoor Assy



# Indoor Assy

Ref. Part No:	No:	Description:	Ref. Part No:	No:	Description:
---------------	-----	--------------	---------------	-----	--------------

---

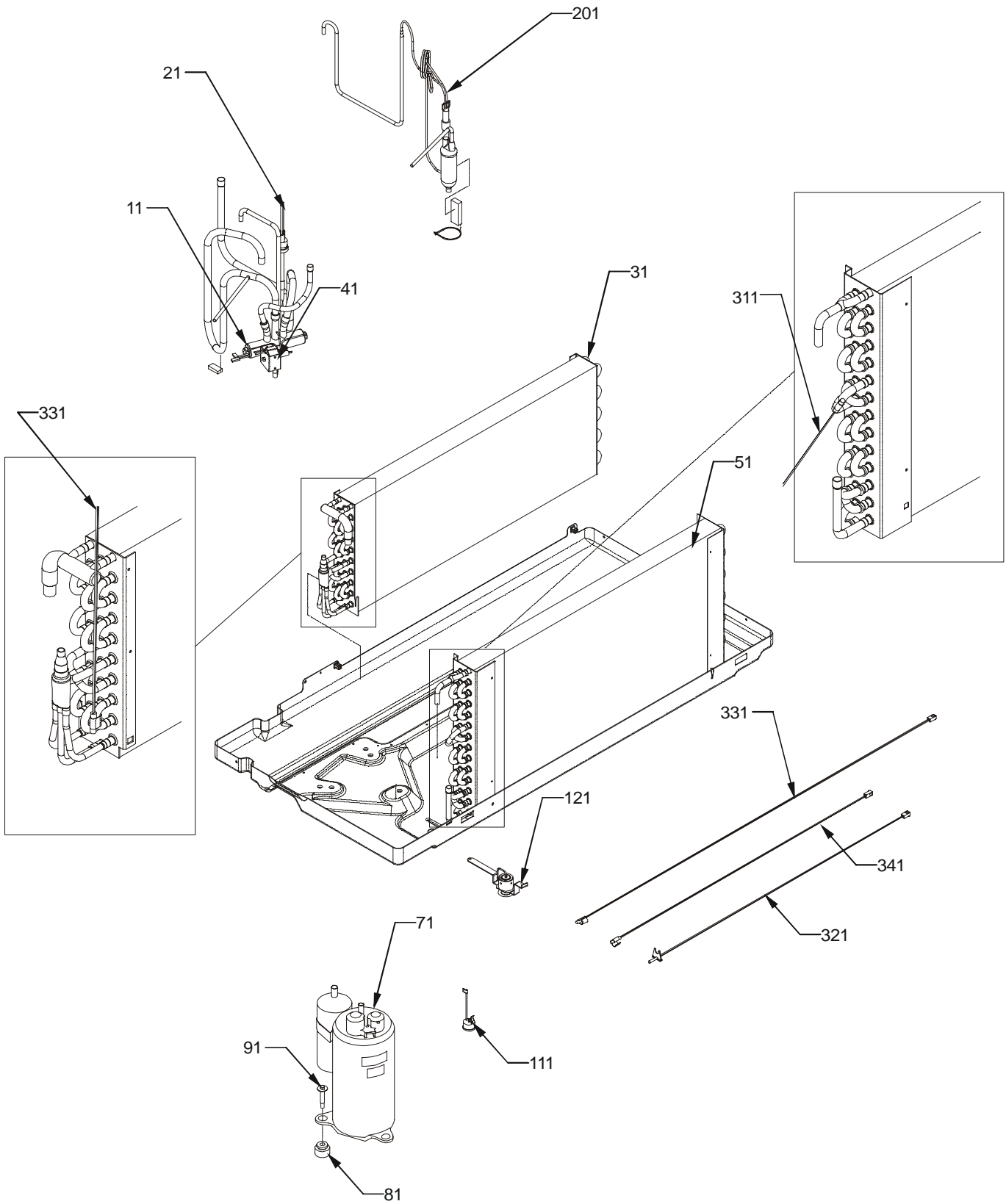
Image 1:

21	0270P00938DG	SCROLL ASSY, PNT
31	0161P00021	END CAP, RIGHT
31	0130P00054	MEMBRANE (CONTROL)
41	0161P00022	END CAP, LEFT
51	0275P00000	HEATER ASSY (M2, M5, M6, M7, M9, M10)
51	0275P00002	HEATER ASSY (M1, M3, M4, M8)
61	0150P00003	WHEEL, BLOWER
71	0131P00006	FAN MOTOR, INDOOR (M1, M2, M3, M4, M5, M6, M7, M8, M9)
71	0131P00007	FAN MOTOR, INDOOR (M10)
81	0121P00048	BRACKET-MOTOR MOUNT

Expanded Model Nomenclature

M1 - PTH073E25AXXXAB
M2 - PTH073E35AXXXAB
M3 - PTH093E25AXXXAB
M4 - PTH093E25RXXXAB
M5 - PTH093E35AXXXAB
M6 - PTH093E35CXXXAB
M7 - PTH093E35RXXXAB
M8 - PTH123E25AXXXAB
M9 - PTH123E35AXXXAB
M10 - PTH153E35AXXXAA

# Tubing Assy



# Tubing Assy

Ref. Part No:	No:	Description:	Ref. Part No:	No:	Description:
<i>Image 1:</i>			Expanded Model Nomenclature		
11	0151P00000	REVERSING VALVE ASSY-230V	M1	-	PTH073E25AXXXAB
21	0130M00066	SWITCH, HIGH PRESS	M2	-	PTH073E35AXXXAB
31	0202P00067	EVAP ASSY, 3/8, 2 ROW (M1, M2)	M3	-	PTH093E25AXXXAB
31	0202P00065	EVAP ASSY, 5/16, 3 ROW (M3, M4, M5, M6, M7, M8, M9, M10)	M4	-	PTH093E25RXXXAB
41	0130P00022	REVERSING VALVE COIL	M5	-	PTH093E35AXXXAB
51	0201P00079DG	COND ASSY PNT (M3, M4, M5, M6, M7, M8, M9, M10)	M6	-	PTH093E35CXXXAB
51	0201P00082DGS	COND ASSY, 5/16, 2 ROW (M1, M2)	M7	-	PTH093E35RXXXAB
71	44A207A	COMPRESSOR, RECHI (M7)	M8	-	PTH123E25AXXXAB
71	39A162A	COMPRESSOR, RECHI (M1, M2)	M9	-	PTH123E35AXXXAB
71	44A202A	COMPRESSOR, RECHI (M3, M4, M5, M6)	M10	-	PTH153E35AXXXAB
71	44A282A	COMPRESSOR, RECHI (M8, M9)			
71	50A362Q	COMPRESSOR, RECHI (M10)			
81	A3448602	COMPRESSOR GROMMET (M10)			
81	60130203	GROMMET - RECHI COMPRESSOR (M3, M4, M5, M6, M7)			
81	60140209	GROMMET - RECHI COMPRESSOR (M8, M9)			
81	60110202	GROMMET - RECHI COMPRESSOR (M1, M2)			
91	M0227803	SCREW-TC (QTY 3)			
111	60343503	OVERLOAD PROTECTOR (M8, M9)			
111	60343516	OVERLOAD PROTECTOR (M1, M2, M7)			
111	60343539	OVERLOAD PROTECTOR (M3, M4, M5, M6)			
111	60343546	OVERLOAD PROTECTOR (M10)			
201	0210P00103	CAPILLARY WELDMENT (M3, M4, M5, M6)			
201	0210P00124	CAPILLARY WELDMENT (M7)			
201	0210P00152	CAPILLARY WELDMENT (M10)			
201	0210P00178	CAPILLARY WELDMENT (M1, M2)			
311	20295711	THERMISTOR (M3, M4, M5, M6, M7, M8, M9, M10)			
311	20295709	THERMISTOR-HEAT PUMP (M1, M2)			
321	0130P00046	THERMISTOR-INDOOR AMBIENT (M1, M2)			
321	0130P00047	THERMISTOR-INDOOR AMBIENT (M3, M4, M5, M6, M7, M8, M9, M10)			
331	0130P00038	THERMISTOR-DISCHARGE			
331	0130P00033	THERMISTOR-INDOOR COIL (M3, M4, M5, M6, M7, M8, M9, M10)			
331	20295707	THERMISTOR-INDOOR COIL (M1, M2)			
NS	BT1392310	PLASTIC CLAMP, .1875 DIA			