

## 8300 Series Thermostats

### EASY AND AFFORDABLE

If you are looking for the easiest and most affordable thermostat available—choose and install the 8300 Series.

The 8300 Series thermostats provide exceptional value for you and your customers because they are easy to install, program and operate.

Programmable models are the easiest on the market—they even tell you when programming is “DONE”. And they are delivered complete with pre-programmed Energy Star settings.

By offering and installing Aprilaire®—the most respected premium brand in the HVAC industry for over 60 years—you and your customers will enjoy maximum value, reliability and easy operation all of which have been proven in extensive field testing.

Plus, 8300 Series thermostats integrate easily with other Aprilaire® products—telling your customers when to replace their humidifier Water Panel and air filter—which protects your customers investments and reminds them to call you.

8300 Series thermostats offer trouble-free operation and minimum callbacks at a very affordable price.



### CONSUMER BENEFITS

#### LARGE BACKLIT DISPLAY:

- Convenient viewing at any light level

#### WATER PANEL CHANGE-INDICATOR ON THE DISPLAY:

- Set it once at installation to remind homeowner when to contact you for replacement water panels.

#### FILTER CHANGE-INDICATOR ON THE DISPLAY:

- Can be set for 1, 3, 6, or 12 month change out period

#### ADJUSTABLE FIELD OFFSETS

- Allows dealer to offset sensed temperature to match other temperature measuring devices

#### SIMPLE TO PROGRAM:

- Market tested, simplified programming sequence
- The inclusion of a “DONE” message at the end of a programming sequence
- Operation and programming instructions located on thermostat cover
- Simplified button labeling
- Plain language and no cryptic icons

### CONTRACTOR BENEFITS

#### EASY INSTALLATION:

- The unit is just the right size to cover existing thermostats
- 45-degree angled terminals for easy wire termination
- Can be mounted using the included drywall anchors or mounted to a 2" by 4" junction box
- Recessed back plate accommodates wire routing
- Battery powered with low battery indication (batteries included)
- No need to pull extra wires

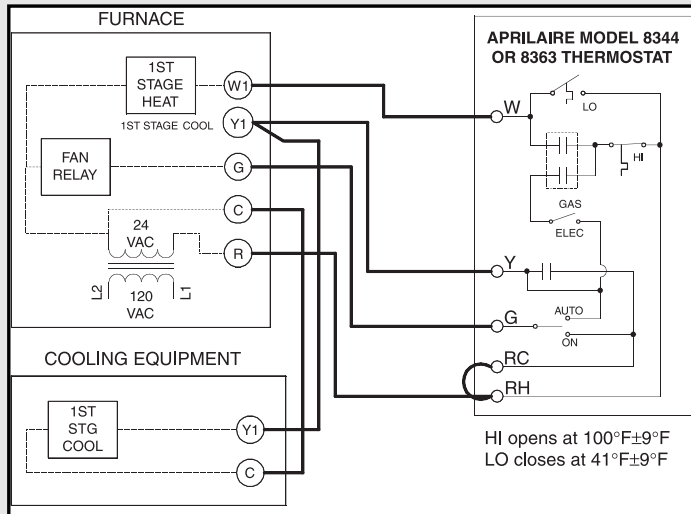
#### IMPRINT YOUR COMPANY LOGO AND PHONE NUMBER:

- Imprinting is a proven method of building your business



## MODEL 8344, 8348, 8363 & 8366 HEAT/COOL THERMOSTATS

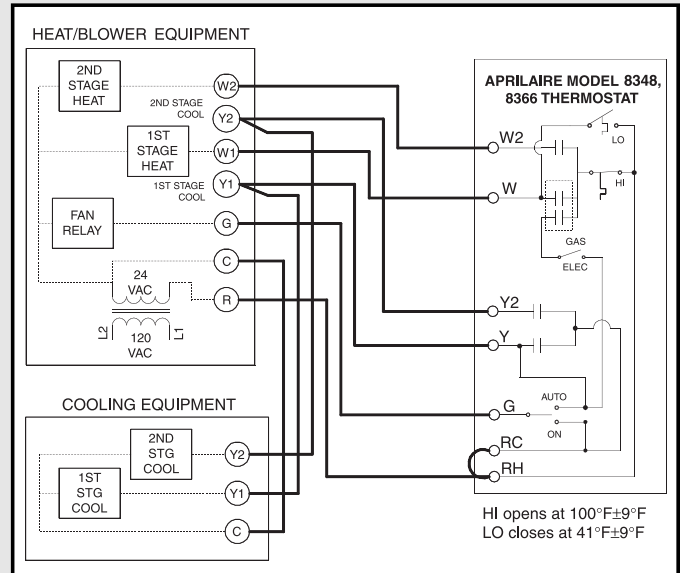
### WIRING DIAGRAM



### OUTPUT TERMINALS

W	1st Stage Heat
W2	2nd Stage Heat (Model 8348 & 8366 Only)
Y	1st Stage Cooling
Y2	2nd Stage Cooling (Model 8348 & 8366 Only)
G	Fan
RC	24V (AC) Supply From Heating Equipment
RH	24V (AC) Supply From Cooling Equipment

NOTE: Jumper between RH and RC is required for single transformer system.



### MODELS

8344	Single-Stage Non-Programmable
8348	Multi-Stage Non-Programmable
8363	Single-Stage Programmable
8366	Multi-Stage Programmable

### PRODUCT SPECIFICATIONS

<b>RATED VOLTAGE</b>	18 to 30 Volts
<b>RATED CURRENT</b>	2 amp total, 1 amp max per terminal
<b>CONTROL RANGE</b>	50°F-90°F (10°C-32°C)
<b>OPERATING RANGE</b>	32°F-99°F (0°C-37°C)
<b>CONTROL ACCURACY</b>	± 1°F from 60°-80°
<b>DIFFERENTIAL ADJUSTMENT</b>	1°-3°F in increments of 1°F (per stage 8348 & 8366)
<b>FIELD TEMP. OFFSET ADJUSTMENT</b>	± 4°F in increments of 1°F
<b>LOW TEMPERATURE PROTECTION</b>	41 ± 9°F
<b>HIGH TEMP. PROTECTION</b>	100°F ± 9°F
<b>DIMENSIONS</b>	6.2"H x 4.3"W x 1.4"D
<b>SET POINT DISPLAY</b>	Set point and room temperature continuously
<b>HEAT/COOL CALL INDICATORS</b>	Heat or cool will flash during active call
<b>RH AND RC TERMINALS</b>	Independent heat and cool relays for 2 transformer systems

2-YEAR, WARRANTY FROM DATE OF INSTALLATION

RESEARCH PRODUCTS RESERVES THE RIGHT TO CHANGE SPECIFICATIONS WITHOUT NOTICE.