

# BHP15

## PRODUCT SPECIFICATIONS



### 15 SEER SPLIT SYSTEM HEAT PUMP

FORM NO. BHP15-100 (12/2017)



#### FEATURES AND BENEFITS

- R410A Refrigerant
- High-quality condenser coil with copper tubing and enhanced louvered fin for maximum heat transfer capacity
- Top discharge directs hot air and sound away from living area and shrubbery
- All units run tested
- Louvered panel coil protection
- Easy access to electrical panels, pre-wired for easy hook-up
- Bi-directional liquid line filter drier factory installed
- Discharge muffler for quiet operation
- Reliable, solid state defrost control
- Defrost control is Quiet Shift™ capable
- Low pressure switch factory installed for loss of charge protection
- Integrated control with LED diagnostics
- Short cycle protection factory installed
- All units ETL and ETLC approved and AHRI Certified
- Charged for 15 feet of interconnecting tubing

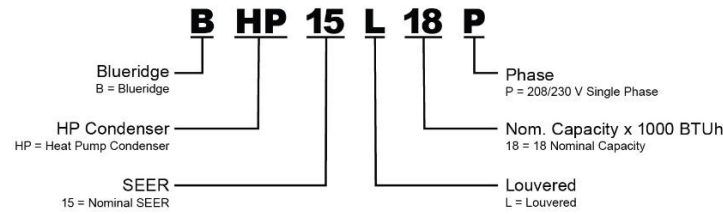
#### WARRANTY

10 year limited warranty on compressor, 10 year limited warranty on all parts, extended warranty available\*

*\*Warranty provides for a total of 10 years of limited warranty coverage (Standard 5-year limited parts warranty plus an additional 5-year limited extended parts warranty). Warranty must be registered online within 60 days of installation to qualify for 10-year coverage. Unregistered equipment defaults to 5-year coverage. Lifetime limited heat exchanger warranty applies to registered equipment only (Standard 20 years with no online registration). See full warranty at [www.alliedair.com](http://www.alliedair.com) for terms, conditions and exclusions.*



**MODEL NUMBER GUIDE**



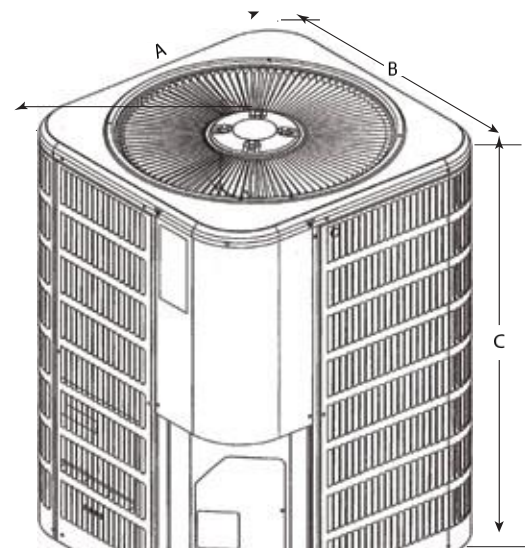
**PHYSICAL AND ELECTRICAL DATA**

Model	Voltage/ Hz/ Phase	Voltage Range	Min. Circuit Amp.	Max. Over Current Device (amps)	Compressor		Outdoor Fan Motor			Refrig. Charge+ (oz.)	Sound Rating (dBA)
					Rated Load (amps)	Locked Rotor (amps)	Rated Load (amps)	Rated HP	Nom. RPM		
BHP15L18P	208-230/60/1	197-253	12.2	20	9.0	48	1.0	1/6	825	93	74
BHP15L24P	208-230/60/1	197-253	17.9	30	13.5	58	1.1	1/6	825	94	76
BHP15L30P	208-230/60/1	197-253	17.1	25	12.8	64	1.1	1/6	825	90	76
BHP15L36P	208-230/60/1	197-253	18.7	30	14.1	77	1.1	1/6	825	150	76
BHP15L42P	208-230/60/1	197-253	24.2	40	18.0	112	1.8	1/3	825	184	79
BHP15L48P	208-230/60/1	197-253	29	50	21.8	117	1.8	1/3	825	161	80
BHP15L60P	208-230/60/1	197-253	29.4	50	22.1	125	1.8	1/3	825	197	80

Note:  
Weights listed are unit weights with packaging  
+ Factory charged for 15 feet of line set. Adjust per installation instructions.

**UNIT DIMENSIONS & WEIGHT**

Model	Dimensions (inch)			Shipping Weight (lbs.)
	A - Width	B - Depth	C - Height	
BHP15L18P	28.25	28.25	37	175
BHP15L24P	28.25	28.25	37	177
BHP15L30P	28.25	28.25	37	178
BHP15L36P	28.25	28.25	33	202
BHP15L42P	32.25	32.25	37	272



---

BHP15L48P	32.25	32.25	37	273
BHP15L60P	32.25	32.25	43	297

*Note: Dimensions listed are unit sizes w/o packaging*

**COOLING PERFORMANCE WITH EVAPORATOR COILS**

Outdoor Model	Indoor Model	Cooling					Heating				CFM	Refrigerant Connection				Refrigerant Line Size		Indoor Expansion Device	
		Evap. Coil	SEER	EER	AHRI Rated Capacity BTUH	Sensible Capacity BTUH	HSPF	47°		17°		Outdoor		Indoor		Suction	Liquid	Piston	TXV
	BTUH							COP	BTUH	COP		Suction	Liquid	Suction	Liquid				
BHP15L18P-1	BC1P23(A,B)+H4TXV02+45 SEC BLOWER DELAY	14	12	18000	13200	8.2	17000	3.5	10000	2.3	650	3/4	3/8	3/4	3/8	3/4	3/8		H4TXV01
	BC4X23(A,B)+45 SEC BLOWER DELAY	14	12	18000	13200	8.2	17000	3.5	10000	2.3	650	3/4	3/8	3/4	3/8	3/4	3/8		INC
BHP15L24P-1	BC1P24(A,B)+H4TXV01+TDR	14	11.5	23400	17000	8.2	22000	3.4	14000	2.3	850	3/4	3/8	3/4	3/8	3/4	3/8		H4TXV01
	BC1P29(A,B)+H4TXV01+TDR	14	11.5	23400	17000	8.2	22000	3.4	14000	2.3	850	3/4	3/8	3/4	3/8	3/4	3/8		H4TXV01
	BC4X24A,B+TDR	14	11.5	23400	17000	8.2	22000	3.4	14000	2.3	850	3/4	3/8	3/4	3/8	3/4	3/8		INC
	BC4X29A,B+TDR	14	11.5	23400	17000	8.2	22000	3.4	14000	2.3	850	3/4	3/8	3/4	3/8	3/4	3/8		INC
BHP15L30P-1	BC1P43(B,C)+H4TXV02+TD R	14	11.5	28000	20300	8.2	25000	3.5	15000	2.5	1050	3/4	3/8	3/4	3/8	3/4	3/8		H4TXV01
	BC4X43B+TDR	14	11.5	28000	20300	8.2	25000	3.5	15000	2.5	1050	3/4	3/8	3/4	3/8	3/4	3/8		INC
BHP15L36P-1	BC1P43B+H4TXV02	14	12	34000	25100	8.2	33800	3.5	21800	2.5	1200	7/8	3/8	3/4	3/8	7/8	3/8		H4TXV02
	BC1P49C+H4TXV02	14	12	34000	25100	8.2	33800	3.5	21800	2.5	1200	7/8	3/8	3/4	3/8	7/8	3/8		H4TXV02
	BC4X43B+TDR	14	12	34000	25100	8.2	33800	3.5	21800	2.5	1200	7/8	3/8	3/4	3/8	7/8	3/8		INC
	BC4X49C+TDR	14	12	34000	25100	8.2	33800	3.5	21800	2.5	1200	7/8	3/8	3/4	3/8	7/8	3/8		INC
BHP15L42P-1	BC1P49C+H4TXV02+TDR	14	12	41000	30200	8.2	40000	3.5	27800	2.4	1400	7/8	3/8	3/4	3/8	7/8	3/8		H4TXV02
	BC1P62D+H4TXV02+TDR	14	12	41000	30200	8.2	40000	3.5	28800	2.4	1400	7/8	3/8	3/4	3/8	7/8	3/8		H4TXV02
	BC4X49C+TDR	14	12	41000	30200	8.2	40000	3.5	27800	2.4	1400	7/8	3/8	3/4	3/8	7/8	3/8		INC
	BC4X62D+TDR	14	12	41000	30200	8.2	40000	3.5	28800	2.4	1400	7/8	3/8	3/4	3/8	7/8	3/8		INC
BHP15L48P-1	BC1P49C+H4TXV02+TDR	14	12	47000	34600	8.2	46000	3.4	29600	2.5	1600	7/8	3/8	3/4	3/8	7/8	3/8		H4TXV02
	BC1P62D+H4TXV02+TDR	14	12	47000	34600	8.2	46000	3.4	29600	2.5	1600	7/8	3/8	3/4	3/8	7/8	3/8		H4TXV02
	BC4X49C+TDR	14	12	47000	34600	8.2	46000	3.4	29600	2.5	1600	7/8	3/8	3/4	3/8	7/8	3/8		INC
	BC4X62D+TDR	14	12	47000	34600	8.2	46000	3.4	29600	2.5	1600	7/8	3/8	3/4	3/8	7/8	3/8		INC
BHP15L60P-1	BC1P62C+H4TXV03+TDR	14	12	57000	42100	8.2	55000	3.4	36000	2.5	1900	7/8	3/8	7/8	3/8	1 1/8	3/8		H4TXV03
	BC1P62D+H4TXV03+TDR	14	12	57000	42100	8.2	55000	3.4	36000	2.5	1900	7/8	3/8	7/8	3/8	1 1/8	3/8		H4TXV03
	BC4X62C+TDR	14	12	57000	42100	8.2	55000	3.4	36000	2.5	1900	7/8	3/8	7/8	3/8	1 1/8	3/8		INC
	BC4X62D+TDR	14	12	57000	42100	8.2	55000	3.4	36000	2.5	1900	7/8	3/8	7/8	3/8	1 1/8	3/8		INC

N/A

Note:  
 1 Certified in accordance with Unitary Air Conditioner Certification Program, which is based on AHRI Standard 210/240 2  
 Required to achieve AHRI rating. If NA (Not Applicable) is in the piston column, then TXV is required.  
 3 A blower time delay relay is required to achieve AHRI rating. This feature is standard on all Allied Air Enterprises furnace and AH products

**LINE SETS**

Outdoor Model	Condenser Refrigerant Connection		Refrigerant Line Size	
	Outdoor		Suction	Liquid
	Suction	Liquid		
BHP15L18P	3/4	3/8	3/4	3/8
BHP15L24P	3/4	3/8	3/4	3/8
BHP15L30P	3/4	3/8	3/4	3/8
BHP15L36P	7/8	3/8	7/8	3/8
BHP15L42P	7/8	3/8	7/8	3/8
BHP15L48P	7/8	3/8	7/8	3/8
BHP15L60P	7/8	3/8	1 1/8	3/8

COOLING PERFORMANCE WITH AIR HANDLERS AND FURNACES

Outdoor Model	Indoor Model	Furnace	Cooling				Heating				CFM	
	Evap. Coil		SEER	EER	AHRI Rated Capacity BTUH	Sensible Capacity BTUH	HSPF	47°		17°		
								Btuh	COP	Btuh		COP
<b>BHP15L18P-1</b>	BCE3M24E****4X		15.1	12.5	18000	17000	8.2	17000	3.5	10000	2.3	650
	BCE3M24V****4X		15	12	18000	17000	8.2	17000	3.5	11000	2.3	650
	BCE3M18C****4X		14	12	18000	17000	8.2	17000	3.5	10000	2.3	650
	BCE3M18C****P+TXV		14	12	18000	17000	8.2	17000	3.5	10000	2.3	650
	BCE3M24C****4X		14	12	18000	17000	8.2	17000	3.5	10000	2.3	650
	BC1P23A+H4TXV01	80G1UH045AE12	16	13	18000	17000	8.2	17000	3.5	10000	2.3	650
	BC1P23A+H4TXV01	80G2UH070AV12	16	13	18000	17000	8.2	17000	3.5	10000	2.3	650
	BC1P23B+H4TXV01	80G2UH090BV16	16	13	18000	17000	8.2	17000	3.5	10000	2.3	650
	BC1P23B+H4TXV01	95G2UH070BV12	16	13	18000	17000	8.2	17000	3.5	10000	2.3	650
	BC1P23B+H4TXV01	EFV08BC	16	13	18000	17000	8.2	17000	3.5	10000	2.3	650
	BC1P24A+H4TXV01	80G2UH070AV12	16	13	18000	17000	8.2	17000	3.5	10000	2.3	650
	BC4X23A	80G1UH045AE12	16	13	18000	17000	8.2	17000	3.5	10000	2.3	650
	BC4X23A	80G2UH070AV12	16	13	18000	17000	8.2	17000	3.5	10000	2.3	650
	BC4X23B	80G2UH090BV16	16	13	18000	17000	8.2	17000	3.5	10000	2.3	650
	BC4X23B	95G2UH070BV12	16	13	18000	17000	8.2	17000	3.5	10000	2.3	650
	BC4X23B	EFV08BC	16	13	18000	17000	8.2	17000	3.5	10000	2.3	650
	BC4X24A	80G2UH070AV12	16	13	18000	17000	8.2	17000	3.5	10000	2.3	650
	BC1P23B+H4TXV01	80G1UH070BE12	15.1	12.5	18000	17000	8.2	17000	3.5	10000	2.3	650
	BC1P23B+H4TXV01	95G1UH045BE12	15.1	12.5	18000	17000	8.2	17000	3.5	10000	2.3	650
	BC1P23B+H4TXV01	95G1UH070BE12	15.1	12.5	18000	17000	8.2	17000	3.5	10000	2.3	650
	BC1P23B+H4TXV01	95G2UH045BE12	15.1	12.5	18000	17000	8.2	17000	3.5	10000	2.3	650
	BC1P23B+H4TXV01	95G2UH045BV12	15.1	12.5	18000	17000	8.2	17000	3.5	10000	2.3	650
	BC1P23B+H4TXV01	95G2UH070BE12	15.1	12.5	18000	17000	8.2	17000	3.5	10000	2.3	650
	BC1P24A+H4TXV01	80G1UH045AE12	15.1	12.5	18000	17000	8.2	17000	3.5	10000	2.3	650
	BC1P24B+H4TXV01	80G1UH070BE12	15.1	12.5	18000	17000	8.2	17000	3.5	10000	2.3	650
	BC1P24B+H4TXV01	80G2UH090BV16	15.1	12.5	18000	17000	8.2	17000	3.5	10000	2.3	650
	BC1P24B+H4TXV01	95G1UH045BE12	15.1	12.5	18000	17000	8.2	17000	3.5	10000	2.3	650
	BC1P24B+H4TXV01	95G1UH070BE12	15.1	12.5	18000	17000	8.2	17000	3.5	10000	2.3	650
	BC1P24B+H4TXV01	95G2UH045BV12	15.1	12.5	18000	17000	8.2	17000	3.5	10000	2.3	650
	BC1P24B+H4TXV01	95G2UH070BV12	15.1	12.5	18000	17000	8.2	17000	3.5	10000	2.3	650
	BC1P24B+H4TXV01	EFV08BC	15.1	12.5	18000	17000	8.2	17000	3.5	10000	2.3	650
	BC4X23B	80G1UH070BE12	15.1	12.5	18000	17000	8.2	17000	3.5	10000	2.3	650
	BC4X23B	95G1UH045BE12	15.1	12.5	18000	17000	8.2	17000	3.5	10000	2.3	650
	BC4X23B	95G1UH070BE12	15.1	12.5	18000	17000	8.2	17000	3.5	10000	2.3	650
	BC4X23B	95G2UH045BE12	15.1	12.5	18000	17000	8.2	17000	3.5	10000	2.3	650
	BC4X23B	95G2UH045BV12	15.1	12.5	18000	17000	8.2	17000	3.5	10000	2.3	650
	BC4X23B	95G2UH070BE12	15.1	12.5	18000	17000	8.2	17000	3.5	10000	2.3	650
	BC4X24A	80G1UH045AE12	15.1	12.5	18000	17000	8.2	17000	3.5	10000	2.3	650
	BC4X24B	80G1UH070BE12	15.1	12.5	18000	17000	8.2	17000	3.5	10000	2.3	650
	BC4X24B	80G2UH090BV16	15.1	12.5	18000	17000	8.2	17000	3.5	10000	2.3	650
BC4X24B	95G1UH045BE12	15.1	12.5	18000	17000	8.2	17000	3.5	10000	2.3	650	

COOLING PERFORMANCE WITH AIR HANDLERS AND FURNACES

Outdoor Model	Indoor Model	Furnace	Cooling				Heating				CFM	
	Evap. Coil		SEER	EER	AHRI Rated Capacity BTUH	Sensible Capacity BTUH	HSPF	47°		17°		
								Btuh	COP	Btuh		COP
<b>BHP15L18P-1</b>	BC4X24B	95G1UH070BE12	15.1	12.5	18000	17000	8.2	17000	3.5	10000	2.3	650
	BC4X24B	95G2UH045BV12	15.1	12.5	18000	17000	8.2	17000	3.5	10000	2.3	650
	BC4X24B	95G2UH070BV12	15.1	12.5	18000	17000	8.2	17000	3.5	10000	2.3	650
	BC4X24B	EFV08BC	15.1	12.5	18000	17000	8.2	17000	3.5	10000	2.3	650
<b>BHP15L24P-1</b>	BCE3M30E****4X		15	12.5	23400	171000	8.5	21600	3.4	14000	2.3	850
	BCE3M30E****X		15	12.5	23400	171000	8.5	21600	3.4	14000	2.3	850
	BCE3M30V****4X		15	12	24000	171000	8.2	21000	3.4	13000	2.3	875
	BCE3M24C****4X		14	12	23400	171000	8.2	21600	3.4	14000	2.3	850
	BCE3M24C****P+TXV		14	12	23400	171000	8.2	21600	3.4	14000	2.3	850
	BC1P23A+H4TXV01	80G2UH070AV12*	15	12.5	23400	171000	8.2	21600	3.4	14000	2.3	850
	BC1P23B+H4TXV01	80G1UH070BE12	15	12.5	23400	171000	8.2	21600	3.4	14000	2.3	850
	BC1P23B+H4TXV01	80G2UH090BV16*	15	12.5	23400	171000	8.2	21600	3.4	14000	2.3	850
	BC1P23B+H4TXV01	95G2UH045BV12	15	12.5	23400	171000	8.2	21600	3.4	14000	2.3	850
	BC1P23B+H4TXV01	95G2UH070BV12	15	12.5	23400	171000	8.2	21600	3.4	14000	2.3	850
	BC1P23B+H4TXV01	EFV08BC	15	12.5	23400	171000	8.2	21600	3.4	14000	2.3	850
	BC1P24A+H4TXV01	80G2UH070AV12*	15	12.5	23400	171000	8.5	21600	3.4	14000	2.3	850
	BC1P24B+H4TXV01	80G1UH070BE12	15	12.5	23400	171000	8.5	21600	3.4	14000	2.3	850
	BC1P24B+H4TXV01	80G2UH090BV16*	15	12.5	23400	171000	8.5	21600	3.4	14000	2.3	850
	BC1P24B+H4TXV01	95G2UH045BV12	15	12.5	23400	171000	8.5	21600	3.4	14000	2.3	850
	BC1P24B+H4TXV01	95G2UH070BV12	15	12.5	23400	171000	8.5	21600	3.4	14000	2.3	850
	BC1P24B+H4TXV01	EFV08BC	15	12.5	23400	171000	8.5	21600	3.4	14000	2.3	850
	BC1P29A+H4TXV01	80G2UH070AV12*	15	12.5	23400	171000	8.5	21600	3.4	14000	2.3	850
	BC1P29B+H4TXV01	80G1UH070BE12	15	12.5	23400	171000	8.5	21600	3.4	14000	2.3	850
	BC1P29B+H4TXV01	80G2UH090BV16*	15	12.5	23400	171000	8.5	21600	3.4	14000	2.3	850
	BC1P29B+H4TXV01	95G2UH045BV12	15	12.5	23400	171000	8.5	21600	3.4	14000	2.3	850
	BC1P29B+H4TXV01	95G2UH070BV12	15	12.5	23400	171000	8.5	21600	3.4	14000	2.3	850
	BC1P29B+H4TXV01	EFV08BC	15	12.5	23400	171000	8.5	21600	3.4	14000	2.3	850
	BC4X23A	80G2UH070AV12*	15	12.5	23400	171000	8.2	21600	3.4	14000	2.3	850
	BC4X23B	80G1UH070BE12	15	12.5	23400	171000	8.2	21600	3.4	14000	2.3	850
	BC4X23B	80G2UH090BV16*	15	12.5	23400	171000	8.2	21600	3.4	14000	2.3	850
	BC4X23B	95G2UH045BV12	15	12.5	23400	171000	8.2	21600	3.4	14000	2.3	850
	BC4X23B	95G2UH070BV12	15	12.5	23400	171000	8.2	21600	3.4	14000	2.3	850
	BC4X23B	EFV08BC	15	12.5	23400	171000	8.2	21600	3.4	14000	2.3	850
	BC4X24A	80G2UH070AV12*	15	12.5	23400	171000	8.5	21600	3.4	14000	2.3	850
	BC4X24B	80G1UH070BE12	15	12.5	23400	171000	8.5	21600	3.4	14000	2.3	850
	BC4X24B	80G2UH090BV16*	15	12.5	23400	171000	8.5	21600	3.4	14000	2.3	850
	BC4X24B	95G2UH045BV12	15	12.5	23400	171000	8.5	21600	3.4	14000	2.3	850
	BC4X24B	95G2UH070BV12	15	12.5	23400	171000	8.5	21600	3.4	14000	2.3	850
	BC4X24B	EFV08BC	15	12.5	23400	171000	8.5	21600	3.4	14000	2.3	850
	BC4X29A	80G2UH070AV12*	15	12.5	23400	171000	8.5	21600	3.4	14000	2.3	850

COOLING PERFORMANCE WITH AIR HANDLERS AND FURNACES

Outdoor Model	Indoor Model	Furnace	Cooling				Heating				CFM	
	Evap. Coil		SEER	EER	AHRI Rated Capacity BTUH	Sensible Capacity BTUH	HSPF	47°		17°		
								Btuh	COP	Btuh		COP
<b>BHP15L24P-1</b>	BC4X29B	80G1UH070BE12	15	12.5	23400	171000	8.5	21600	3.4	14000	2.3	850
	BC4X29B	80G2UH090BV16*	15	12.5	23400	171000	8.5	21600	3.4	14000	2.3	850
	BC4X29B	95G2UH045BV12	15	12.5	23400	171000	8.5	21600	3.4	14000	2.3	850
	BC4X29B	95G2UH070BV12	15	12.5	23400	171000	8.5	21600	3.4	14000	2.3	850
	BC4X29B	EFV08BC	15	12.5	23400	171000	8.5	21600	3.4	14000	2.3	850
	BC1P23A+H4TXV01	80G1UH045AE12	14.5	12	23400	171000	8.2	21600	3.4	14000	2.3	850
	BC1P23B+H4TXV01	95G1UH045BE12	14.5	12	23400	171000	8.2	21600	3.4	14000	2.3	850
	BC1P23B+H4TXV01	95G1UH070BE12	14.5	12	23400	171000	8.2	21600	3.4	14000	2.3	850
	BC1P24A+H4TXV01	80G1UH045AE12	14.5	12	23400	171000	8.5	21600	3.4	14000	2.3	850
	BC1P24B+H4TXV01	95G1UH045BE12	14.5	12	23400	171000	8.5	21600	3.4	14000	2.3	850
	BC1P24B+H4TXV01	95G1UH070BE12	14.5	12	23400	171000	8.5	21600	3.4	14000	2.3	850
	BC1P29A+H4TXV01	80G1UH045AE12	14.5	12	23400	171000	8.5	21600	3.4	14000	2.3	850
	BC1P29B+H4TXV01	95G1UH045BE12	14.5	12	23400	171000	8.5	21600	3.4	14000	2.3	850
	BC1P29B+H4TXV01	95G1UH070BE12	14.5	12	23400	171000	8.5	21600	3.4	14000	2.3	850
	BC4X23A	80G1UH045AE12	14.5	12	23400	171000	8.2	21600	3.4	14000	2.3	850
	BC4X23B	95G1UH045BE12	14.5	12	23400	171000	8.2	21600	3.4	14000	2.3	850
	BC4X23B	95G1UH070BE12	14.5	12	23400	171000	8.2	21600	3.4	14000	2.3	850
	BC4X24A	80G1UH045AE12	14.5	12	23400	171000	8.5	21600	3.4	14000	2.3	850
	BC4X24B	95G1UH045BE12	14.5	12	23400	171000	8.5	21600	3.4	14000	2.3	850
	BC4X24B	95G1UH070BE12	14.5	12	23400	171000	8.5	21600	3.4	14000	2.3	850
	BC4X29A	80G1UH045AE12	14.5	12	23400	171000	8.5	21600	3.4	14000	2.3	850
	BC4X29B	95G1UH045BE12	14.5	12	23400	171000	8.5	21600	3.4	14000	2.3	850
	BC4X29B	95G1UH070BE12	14.5	12	23400	171000	8.5	21600	3.4	14000	2.3	850
	<b>BHP15L30P-1</b>	BCE3M30E****4X		15	12.5	28600	21500	8.5	26000	3.6	17000	2.5
BCE3M30E****X			15	12.5	28600	21500	8.5	26000	3.6	17000	2.5	1050
BCE3M30V****4X			14.5	12	28600	21500	8.2	25400	3.6	15000	2.5	1000
BCE3M30C****4X			14	12	28000	21500	8.2	26000	3.6	17000	2.5	950
BCE3M30C****P+TXV			14	12	28600	21500	8.2	26000	3.6	17000	2.5	1050
BC1P29A+H4TXV01		80G2UH070AV12*	15	12.5	28600	21500	8.5	26000	3.6	17000	2.5	1050
BC1P36A+H4TXV01		80G2UH070AV12*	15	12.5	28600	21500	8.5	26000	3.6	17000	2.5	1050
BC1P36C+H4TXV01		95G2UH090CV12	15	12.5	28600	21500	8.5	26000	3.6	17000	2.5	1050
BC4X29A		80G2UH070AV12*	15	12.5	28600	21500	8.5	26000	3.6	17000	2.5	1050
BC4X36A		80G2UH070AV12*	15	12.5	28600	21500	8.5	26000	3.6	17000	2.5	1050
BC4X36C		95G2UH090CV12	15	12.5	28600	21500	8.5	26000	3.6	17000	2.5	1050
BC1P29B+H4TXV01		80G1UH070BE12	14.5	12.5	28600	21500	8.5	26000	3.6	17000	2.5	1050
BC1P29B+H4TXV01		80G1UH090BE16	14.5	12.5	28600	21500	8.5	26000	3.6	17000	2.5	1070
BC1P29B+H4TXV01		80G2UH090BV16*	14.5	12.5	28600	21500	8.5	26000	3.6	17000	2.5	1050
BC1P29B+H4TXV01		95G2UH070BV12	14.5	12.5	28600	21500	8.5	26000	3.6	17000	2.5	1050
BC1P29B+H4TXV01		EFV12BC	14.5	12.5	28600	21500	8.5	26000	3.6	17000	2.5	1050
BC1P30A+H4TXV01		80G2UH070AV12*	14.5	12.5	28000	21500	8.5	26000	3.6	15600	2.5	1050
BC1P30C+H4TXV01		95G1UH090CE16	14.5	12	28000	21500	8.5	26000	3.6	15600	2.5	1050
BC1P30C+H4TXV01	95G2UH090CV12	14.5	12.5	28000	21500	8.5	26000	3.6	15600	2.5	1050	



COOLING PERFORMANCE WITH AIR HANDLERS AND FURNACES

Outdoor Model	Indoor Model	Furnace	Cooling				Heating				CFM	
	Evap. Coil		SEER	EER	AHRI Rated Capacity BTUH	Sensible Capacity BTUH	HSPF	47°		17°		
								Btuh	COP	Btuh		COP
<b>BHP15L30P-1</b>	BC1P30C+H4TXV01	EFV16CC	14.5	12.5	28000	21500	8.5	26000	3.6	15600	2.5	1050
	BC1P36B+H4TXV01	80G1UH070BE12	14.5	12.5	28600	21500	8.5	26000	3.6	17000	2.5	1050
	BC1P36B+H4TXV01	80G2UH090BV16*	14.5	12.5	28600	21500	8.5	26000	3.6	17000	2.5	1050
	BC1P36B+H4TXV01	95G2UH070BV12	14.5	12.5	28600	21500	8.5	26000	3.6	17000	2.5	1050
	BC1P36B+H4TXV01	EFV12BC	14.5	12.5	28600	21500	8.5	26000	3.6	17000	2.5	1050
	BC1P36C+H4TXV01	95G1UH090CE16	14.5	12.5	28600	21500	8.5	26000	3.6	17000	2.5	1050
	BC1P36C+H4TXV01	EFV16CC	14.5	12.5	28600	21500	8.5	26000	3.6	17000	2.5	1050
	BC4X29B	80G1UH070BE12	14.5	12.5	28600	21500	8.5	26000	3.6	17000	2.5	1050
	BC4X29B	80G1UH090BE16	14.5	12.5	28600	21500	8.5	26000	3.6	17000	2.5	1070
	BC4X29B	80G2UH090BV16*	14.5	12.5	28600	21500	8.5	26000	3.6	17000	2.5	1050
	BC4X29B	95G2UH070BV12	14.5	12.5	28600	21500	8.5	26000	3.6	17000	2.5	1050
	BC4X29B	EFV12BC	14.5	12.5	28600	21500	8.5	26000	3.6	17000	2.5	1050
	BC4X30A	80G2UH070AV12*	14.5	12.5	28000	21500	8.5	26000	3.6	15600	2.5	1050
	BC4X30C	95G1UH090CE16	14.5	12	28000	21500	8.5	26000	3.6	15600	2.5	1050
	BC4X30C	95G2UH090CV12	14.5	12.5	28000	21500	8.5	26000	3.6	15600	2.5	1050
	BC4X30C	EFV16CC	14.5	12.5	28000	21500	8.5	26000	3.6	15600	2.5	1050
	BC4X36B	80G1UH070BE12	14.5	12.5	28600	21500	8.5	26000	3.6	17000	2.5	1050
	BC4X36B	80G2UH090BV16*	14.5	12.5	28600	21500	8.5	26000	3.6	17000	2.5	1050
	BC4X36B	95G2UH070BV12	14.5	12.5	28600	21500	8.5	26000	3.6	17000	2.5	1050
	BC4X36B	EFV12BC	14.5	12.5	28600	21500	8.5	26000	3.6	17000	2.5	1050
	BC4X36C	95G1UH090CE16	14.5	12.5	28600	21500	8.5	26000	3.6	17000	2.5	1050
	BC4X36C	EFV16CC	14.5	12.5	28600	21500	8.5	26000	3.6	17000	2.5	1050
	BC1P29B+H4TXV01	95G1UH070BE12	14	12	28600	21500	8.5	26000	3.6	17000	2.5	1070
	BC1P30B+H4TXV01	80G1UH090BE16	14	12	28000	21500	8.5	26000	3.6	15600	2.5	1050
	BC1P36B+H4TXV01	80G1UH090BE16	14	12	28600	21500	8.5	26000	3.6	17000	2.5	1070
	BC1P36B+H4TXV01	95G1UH070BE12	14	12	28600	21500	8.2	26000	3.6	17000	2.5	1070
	BC4X29B	95G1UH070BE12	14	12	28600	21500	8.5	26000	3.6	17000	2.5	1070
	BC4X30B	80G1UH090BE16	14	12	28000	21500	8.5	26000	3.6	15600	2.5	1050
	BC4X36B	80G1UH090BE16	14	12	28600	21500	8.5	26000	3.6	17000	2.5	1070
	BC4X36B	95G1UH070BE12	14	12	28600	21500	8.2	26000	3.6	17000	2.5	1070
<b>BHP15L36P-1</b>	BCE3M36E****4X		15	12.5	34000	26000	8.5	33800	3.6	21800	2.5	1250
	BCE3M36E****X		15	12.5	34000	26000	8.5	33800	3.6	21800	2.5	1250
	BCE3M36V****4X		14.5	12	34000	26000	8.2	33000	3.6	21000	2.5	1200
	BCE3M36C****4X		14	12	34000	26000	8.2	33800	3.6	21800	2.5	1250
	BCE3M36C****P+TXV		14	12	34000	26000	8.2	33800	3.6	21800	2.5	1250
	BC1P36C+H4TXV02	EFV16CC	15	12.5	34000	26000	8.5	33800	3.6	21000	2.5	1250
	BC1P43C+H4TXV02	EFV16CC	15	12.5	34000	26000	8.5	33800	3.6	21800	2.5	1250
	BC4X36C	EFV16CC	15	12.5	34000	26000	8.5	33800	3.6	21000	2.5	1250
	BC4X43C	EFV16CC	15	12.5	34000	26000	8.5	33800	3.6	21800	2.5	1250
	BC1P36A+H4TXV02	80G2UH070AV12*	14.5	12.5	34000	26000	8.5	33800	3.6	21200	2.5	1250
	BC1P36B+H4TXV02	80G1UH090BE16	14.5	12.5	34000	26000	8.5	33800	3.6	21200	2.5	1250
	BC1P36B+H4TXV02	EFV12BC	14.5	12.5	34000	26000	8.5	33800	3.6	21200	2.5	1250



COOLING PERFORMANCE WITH AIR HANDLERS AND FURNACES

Outdoor Model	Indoor Model	Furnace	Cooling				Heating				CFM	
	Evap. Coil		SEER	EER	AHRI Rated Capacity BTUH	Sensible Capacity BTUH	HSPF	47°		17°		
								Btuh	COP	Btuh		COP
<b>BHP15L36P-1</b>	BC1P36C+H4TXV02	80G2UH110CV20*	14.5	12.5	34000	26000	8.5	33800	3.6	21200	2.5	1250
	BC1P36C+H4TXV02	95G2UH090CV12	14.5	12.5	34000	26000	8.2	33800	3.6	21200	2.5	1250
	BC1P36C+H4TXV02	95G2UH090CV20	14.5	12.5	34000	26000	8.5	33800	3.6	21200	2.5	1250
	BC1P36C+H4TXV02	95G2UH110CV20	14.5	12.5	34000	26000	8.5	33800	3.6	21200	2.5	1250
	BC1P43B+H4TXV02	80G1UH090BE16	14.5	12.5	34000	26000	8.5	33800	3.6	21800	2.5	1250
	BC1P43B+H4TXV02	EFV12BC	14.5	12.5	34000	26000	8.5	33800	3.6	21800	2.5	1250
	BC1P43C+H4TXV02	80G1UH090CE20	14.5	12.5	34000	26000	8.5	33800	3.6	21800	2.5	1275
	BC1P43C+H4TXV02	80G1UH110CE20	14.5	12.5	34000	26000	8.5	33800	3.6	21800	2.5	1275
	BC1P43C+H4TXV02	80G2UH110CV20*	14.5	12.5	34000	26000	8.5	33800	3.6	21800	2.5	1250
	BC1P43C+H4TXV02	95G2UH090CV12	14.5	12.5	34000	26000	8.5	33800	3.6	21800	2.5	1250
	BC1P43C+H4TXV02	95G2UH090CV20	14.5	12.5	34000	26000	8.5	33800	3.6	21800	2.5	1225
	BC1P43C+H4TXV02	95G2UH110CV20	14.5	12.5	34000	26000	8.5	33800	3.6	21800	2.5	1250
	BC4X36A	80G2UH070AV12*	14.5	12.5	34000	26000	8.5	33800	3.6	21200	2.5	1250
	BC4X36B	80G1UH090BE16	14.5	12.5	34000	26000	8.5	33800	3.6	21200	2.5	1250
	BC4X36B	EFV12BC	14.5	12.5	34000	26000	8.5	33800	3.6	21200	2.5	1250
	BC4X36C	80G2UH110CV20*	14.5	12.5	34000	26000	8.5	33800	3.6	21200	2.5	1250
	BC4X36C	95G2UH090CV12	14.5	12.5	34000	26000	8.2	33800	3.6	21200	2.5	1250
	BC4X36C	95G2UH090CV20	14.5	12.5	34000	26000	8.5	33800	3.6	21200	2.5	1250
	BC4X36C	95G2UH110CV20	14.5	12.5	34000	26000	8.5	33800	3.6	21200	2.5	1250
	BC4X43B	80G1UH090BE16	14.5	12.5	34000	26000	8.5	33800	3.6	21800	2.5	1250
	BC4X43B	EFV12BC	14.5	12.5	34000	26000	8.5	33800	3.6	21800	2.5	1250
	BC4X43C	80G1UH090CE20	14.5	12.5	34000	26000	8.5	33800	3.6	21800	2.5	1275
	BC4X43C	80G1UH110CE20	14.5	12.5	34000	26000	8.5	33800	3.6	21800	2.5	1275
	BC4X43C	80G2UH110CV20*	14.5	12.5	34000	26000	8.5	33800	3.6	21800	2.5	1250
	BC4X43C	95G2UH090CV12	14.5	12.5	34000	26000	8.5	33800	3.6	21800	2.5	1250
	BC4X43C	95G2UH090CV20	14.5	12.5	34000	26000	8.5	33800	3.6	21800	2.5	1225
	BC4X43C	95G2UH110CV20	14.5	12.5	34000	26000	8.5	33800	3.6	21800	2.5	1250
	BC1P36(B,C)+H4TXV02+TD R	95G2UH070BV12	14	12	34000	26000	8.2	33800	3.6	21000	2.5	1200
	BC1P36C+H4TXV02	80G1UH090CE20	14	12	34000	26000	8.5	33800	3.6	21200	2.5	1275
	BC1P36C+H4TXV02	80G1UH110CE20	14	12	34000	26000	8.5	33800	3.6	21200	2.5	1275
	BC1P36C+H4TXV02	95G1UH110CE20	14	12	34000	26000	8.5	33800	3.6	21200	2.5	1275
	BC1P43(B,C)+H4TXV02+TD R	95G2UH070BV12	14	12	34000	26000	8.2	33800	3.6	21000	2.5	1200
	BC1P43C+H4TXV02	95G1UH110CE20	14	12	34000	26000	8.5	33800	3.6	21800	2.5	1275
	BC4X36B	95G2UH070BV12	14	12	34000	26000	8.2	33800	3.6	21000	2.5	1200
	BC4X36C	80G1UH090CE20	14	12	34000	26000	8.5	33800	3.6	21200	2.5	1275
	BC4X36C	80G1UH110CE20	14	12	34000	26000	8.5	33800	3.6	21200	2.5	1275
	BC4X36C	95G1UH110CE20	14	12	34000	26000	8.5	33800	3.6	21200	2.5	1275
	BC4X43B	95G2UH070BV12	14	12	34000	26000	8.2	33800	3.6	21000	2.5	1200
	BC4X43C	95G1UH110CE20	14	12	34000	26000	8.5	33800	3.6	21800	2.5	1275
	<b>BHP15L42P-1</b>	BCE3M42E****4X		15	12.5	41000	30700	8.5	40000	3.6	28800	2.4
BCE3M42E****X			15	12.5	41000	30700	8.5	40000	3.6	28800	2.4	1400
BCE3M42V****4X			14.5	12	41000	30700	8.2	40000	3.6	28000	2.4	1450

COOLING PERFORMANCE WITH AIR HANDLERS AND FURNACES

Outdoor Model	Indoor Model	Furnace	Cooling				Heating				CFM	
	Evap. Coil		SEER	EER	AHRI Rated Capacity BTUH	Sensible Capacity BTUH	HSPF	47°		17°		
								Btuh	COP	Btuh		COP
<b>BHP15L42P-1</b>	BCE3M42C****4X		14	12	41000	30700	8.2	40000	3.6	28800	2.4	1400
	BCE3M42C****P+H4TXV02		14	12	41000	30700	8.2	40000	3.6	28800	2.4	1400
	BCE3M42C****P+TXV		14	12	41000	30700	8.2	40000	3.6	28800	2.4	1400
	BC1P49C+H4TXV02	80G1UH090CE20	15	12.5	41000	30700	8.5	40000	3.6	27200	2.4	1400
	BC1P49C+H4TXV02	80G1UH110CE20	15	12.5	41000	30700	8.5	40000	3.6	27200	2.4	1400
	BC1P49C+H4TXV02	80G2UH110CV20*	15	12.5	41000	30700	8.5	40000	3.6	27200	2.4	1400
	BC1P49C+H4TXV02	95G1UH110CE20	15	12.5	41000	30700	8.5	40000	3.6	27200	2.4	1400
	BC1P49C+H4TXV02	95G2UH090CE16	15	12.5	41000	30700	8.2	40000	3.6	27200	2.4	1400
	BC1P49C+H4TXV02	95G2UH090CV20	15	12.5	41000	30700	8.5	40000	3.6	27200	2.4	1400
	BC1P49C+H4TXV02	95G2UH110CE20	15	12.5	41000	30700	8.2	40000	3.6	27200	2.4	1400
	BC1P49C+H4TXV02	95G2UH110CV20	15	12.5	41000	30700	8.5	40000	3.6	27200	2.4	1400
	BC1P62D+H4TXV02	80G1UH135DE20	15	12.5	41000	30700	8.2	40000	3.6	28000	2.4	1400
	BC1P62D+H4TXV02	95G1UH135DE20	15	12.5	41000	30700	8.5	40000	3.6	28000	2.4	1400
	BC1P62D+H4TXV02	95G2UH135DV20	15	12.5	41000	30700	8.5	40000	3.6	28000	2.4	1400
	BC1P62D+H4TXV02	EFV20DC	15	12.5	41000	30700	8.2	40000	3.6	28000	2.4	1400
	BC4X49C	80G1UH090CE20	15	12.5	41000	30700	8.5	40000	3.6	27200	2.4	1400
	BC4X49C	80G1UH110CE20	15	12.5	41000	30700	8.5	40000	3.6	27200	2.4	1400
	BC4X49C	80G2UH110CV20*	15	12.5	41000	30700	8.5	40000	3.6	27200	2.4	1400
	BC4X49C	95G1UH110CE20	15	12.5	41000	30700	8.5	40000	3.6	27200	2.4	1400
	BC4X49C	95G2UH090CE16	15	12.5	41000	30700	8.2	40000	3.6	27200	2.4	1400
	BC4X49C	95G2UH090CV20	15	12.5	41000	30700	8.5	40000	3.6	27200	2.4	1400
	BC4X49C	95G2UH110CE20	15	12.5	41000	30700	8.2	40000	3.6	27200	2.4	1400
	BC4X49C	95G2UH110CV20	15	12.5	41000	30700	8.5	40000	3.6	27200	2.4	1400
	BC4X62D	80G1UH135DE20	15	12.5	41000	30700	8.2	40000	3.6	28000	2.4	1400
	BC4X62D	95G1UH135DE20	15	12.5	41000	30700	8.5	40000	3.6	28000	2.4	1400
	BC4X62D	95G2UH135DV20	15	12.5	41000	30700	8.5	40000	3.6	28000	2.4	1400
	BC4X62D	EFV20DC	15	12.5	41000	30700	8.2	40000	3.6	28000	2.4	1400
	BC1P49C+H4TXV02	95G1UH090CE16	14.5	12.5	41000	30700	8.2	40000	3.6	27200	2.4	1400
	BC1P49C+H4TXV02	EFV16CC	14.5	12.5	41000	30700	8.5	40000	3.6	27200	2.4	1400
	BC4X49C	95G1UH090CE16	14.5	12.5	41000	30700	8.2	40000	3.6	27200	2.4	1400
BC4X49C	EFV16CC	14.5	12.5	41000	30700	8.5	40000	3.6	27200	2.4	1400	
<b>BHP15L48P-1</b>	BCE3M48E****4X		15	12.5	47000	34600	8.5	46000	3.4	29600	2.5	1600
	BCE3M48E****X		15	12.5	47000	34600	8.5	46000	3.4	29600	2.5	1600
	BCE3M48V****4X		14.5	12	47000	34600	8.2	45500	3.4	29000	2.5	1600
	BCE3M48C****4X		14	12	47000	34600	8.2	46000	3.4	29600	2.5	1600
	BCE3M48C****P+TXV		14	12	47000	34600	8.2	46000	3.4	29600	2.5	1600
	BC1P49C+H4TXV02	80G2UH110CV20*	14.5	12.5	47000	34600	8.2	45500	3.4	29600	2.5	1550
	BC1P49C+H4TXV02	95G2UH090CE16	14.5	12.5	47000	34600	8.2	46000	3.4	29600	2.5	1600
	BC1P62D+H4TXV02	80G1UH135DE20	14.5	12.5	47000	34600	8.2	46000	3.4	29600	2.5	1600
	BC1P62D+H4TXV02	95G2UH135DV20	14.5	12.5	47000	34600	8.2	46000	3.4	29600	2.5	1600
	BC4X49C	80G2UH110CV20*	14.5	12.5	47000	34600	8.2	45500	3.4	29600	2.5	1550
	BC4X49C	95G2UH090CE16	14.5	12.5	47000	34600	8.2	46000	3.4	29600	2.5	1600

**COOLING PERFORMANCE WITH AIR HANDLERS AND FURNACES**

Outdoor Model	Indoor Model		Cooling				Heating				CFM	
	Evap. Coil	Furnace	SEER	EER	AHRI Rated Capacity BTUH	Sensible Capacity BTUH	HSPF	47°		17°		
								Btuh	COP	Btuh		COP
<b>BHP15L24P-1</b>	BC4X62D	80G1UH135DE20	14.5	12.5	47000	34600	8.2	46000	3.4	29600	2.5	1600
	BC4X62D	95G2UH135DV20	14.5	12.5	47000	34600	8.2	46000	3.4	29600	2.5	1600
<b>BHP15L60P-1</b>	BCE3M60E****4X		15	12.5	57000	42300	8.5	55000	3.4	36000	2.5	1900
	BCE3M60E****X		15	12.5	57000	42300	8.5	55000	3.4	36000	2.5	1900
	BCE3M60V****4X		14.5	12	57000	42300	8.2	55000	3.4	36000	2.5	1930
	BCE3M60C****4X		14	12	57000	42300	8.2	55000	3.4	36000	2.5	1900
	BCE3M60C****P+TXV		14	12	57000	42300	8.2	55000	3.4	36000	2.5	1900

**COOLING PERFORMANCE WITH EXTENDED RATINGS**

Outdoor Model	Indoor Model	Indoor Temp DB/ WB °F	Outdoor Temperature - DB °F														
			65°			82°			95°			105°			115°		
			Btuh	S/T	kW	Btuh	S/T	kW	Btuh	S/T	kW	Btuh	S/T	kW	Btuh	S/T	kW
BHP15L18P	BC*3M18C	85/72	22,261	0.67	1.12	20,875	0.68	1.33	19,815	0.68	1.49	18,509	0.69	1.67	17,203	0.70	1.84
		80/67	20,970	0.71	1.13	19,887	0.72	1.36	19,059	0.73	1.53	17,368	0.76	1.62	15,677	0.78	1.85
		75/63	19,437	0.74	1.13	17,871	0.75	1.35	16,673	0.76	1.51	15,622	0.79	1.68	14,570	0.82	1.85
		75/57	17,011	1.00	1.15	15,956	1.00	1.36	15,150	1.00	1.52	14,333	1.00	1.68	13,515	1.00	1.85
BHP15L24P	BC*3M24C	85/72	30,200	0.61	1.48	27,700	0.64	1.75	25,700	0.66	1.95	24,200	0.68	2.20	22,700	0.69	2.44
		80/67	27,600	0.69	1.47	25,200	0.71	1.74	23,400	0.73	1.95	22,100	0.75	2.19	20,700	0.77	2.42
		75/63	25,100	0.72	1.47	23,300	0.74	1.74	21,800	0.76	1.95	20,500	0.78	2.19	19,100	0.80	2.43
		75/57	24,000	1.00	1.44	22,400	1.00	1.71	20,800	1.00	1.91	19,700	1.00	2.15	18,400	1.00	2.37
BHP15L30P	BC*3M30C	85/72	35,800	0.62	1.88	33,600	0.64	2.19	31,900	0.66	2.43	30,200	0.68	2.72	28,400	0.70	3.00
		80/67	33,500	0.69	1.86	31,000	0.72	2.18	29,000	0.74	2.42	27,600	0.76	2.70	26,200	0.78	2.99
		75/63	31,300	0.72	1.84	29,000	0.75	2.17	27,300	0.77	2.42	25,700	0.79	2.70	24,100	0.81	2.98
		75/57	29,100	1.00	1.82	27,600	1.00	2.14	25,800	1.00	2.37	24,600	1.00	2.65	23,300	1.00	2.93
BHP15L36P	BC*3M36C	85/72	39,700	0.61	2.21	38,100	0.64	2.59	36,900	0.67	2.89	34,600	0.70	3.21	32,400	0.73	3.54
		80/67	37,800	0.69	2.20	36,000	0.72	2.59	34,600	0.75	2.88	31,900	0.79	3.21	29,300	0.83	3.53
		75/63	36,100	0.73	2.20	33,300	0.77	2.58	31,100	0.80	2.87	29,000	0.83	3.19	26,800	0.85	3.51
		75/57	32,900	1.00	2.16	32,000	1.00	2.54	30,800	1.00	2.82	28,400	1.00	3.15	26,100	1.00	3.46
BHP15L42P	BC*3M42C	85/72	50,600	0.60	2.66	47,800	0.63	3.14	45,700	0.65	3.51	42,800	0.67	3.92	39,900	0.69	4.33
		80/67	48,200	0.68	2.66	44,700	0.71	3.13	42,000	0.73	3.50	39,500	0.75	3.91	37,000	0.77	4.33
		75/63	44,200	0.72	2.64	41,300	0.74	3.12	39,200	0.75	3.49	36,600	0.77	3.89	34,000	0.79	4.30
		75/57	41,900	1.00	2.61	39,800	1.00	3.07	37,400	1.00	3.43	35,200	1.00	3.83	32,900	1.00	4.24
BHP15L48P	BC*3M48C	85/72	51,900	0.62	2.95	51,400	0.64	3.55	51,000	0.65	4.00	48,400	0.68	4.47	45,800	0.70	4.93
		80/67	49,800	0.68	2.95	48,800	0.70	3.55	48,000	0.72	4.00	45,500	0.75	4.45	42,900	0.77	4.90
		75/63	47,900	0.71	2.95	45,600	0.74	3.53	43,800	0.77	3.98	40,800	0.82	4.43	37,900	0.86	4.88
		75/57	43,300	1.00	2.89	43,400	1.00	3.48	42,700	1.00	3.92	40,500	1.00	4.36	38,200	1.00	4.80
BHP15L60P	BC*3M60C	85/72	72,000	0.62	3.68	66,300	0.65	4.34	62,000	0.67	4.85	58,000	0.69	5.47	54,000	0.71	6.09
		80/67	65,800	0.68	3.64	61,400	0.71	4.32	58,000	0.73	4.83	54,000	0.77	5.45	50,000	0.80	6.07
		75/63	60,800	0.71	3.60	56,200	0.74	4.29	52,700	0.76	4.81	49,400	0.78	5.43	46,100	0.80	6.04
		75/57	57,200	1.00	3.57	54,600	1.00	4.23	51,600	1.00	4.73	48,100	1.00	5.34	44,500	1.00	5.95

**HEATING PERFORMANCE WITH EXTENDED RATINGS**

Outdoor Model	Indoor Model	Outdoor Temp. DB/WB deg. F									
		0/0		17/15		35/33		47/43		62/56	
		Btuh	KW	Btuh	KW	Btuh	KW	Btuh	KW	Btuh	KW
<b>BHP15L18P</b>	BC*3M18C	8,900	1.35	11,400	1.43	14,000	1.45	18,000	1.50	21,500	1.55
<b>BHP15L24P</b>	BC*3M24C	5,800	1.50	14,000	1.80	18,700	1.80	22,000	1.90	26,900	2.00
<b>BHP15L30P</b>	BC*3M30C	7,800	1.75	17,000	2.00	22,600	2.20	26,200	2.25	31,600	2.35
<b>BHP15L36P</b>	BC*3M36C	9,700	2.20	21,600	2.50	29,700	2.80	34,600	2.90	41,900	3.00
<b>BHP15L42P</b>	BC*3M42C	12,700	3.15	28,800	3.50	36,000	3.40	42,000	3.50	51,000	3.65
<b>BHP15L48P</b>	BC*3M48C	14,100	2.85	29,600	3.50	40,300	3.80	46,500	4.00	55,800	4.30
<b>BHP15L60P</b>	BC*3M60C	18,000	3.35	36,000	4.20	48,000	4.75	55,000	5.00	65,500	5.40

All ratings are at indoor temperature of 70 °F  
 Extended data shown is actual for models listed and typical for all AHRI matches.

**ACCESSORIES**

Description	Where Used	Kit Number
Crankcase Heater	18, 24, 30, 36	93M04
	42, 48, 60	93M05 (factory Installed)
Compressor Low Ambient Kit	18, 24, 30, 36, 42, 48, 60	45F08
Sound Blanket	18, 24, 30,36	14W00 (factory Installed)
	42, 48, 60	14W01 (factory Installed)
Short Cycle Protector	18, 24, 30, 36, 42, 48, 60	control board feature
Freezestat	3/8 tubing	93G35
	5/8 tubing	50A93
Time Delay Relay	18, 24, 30, 36, 42, 48, 60	control board feature
Loss of Charge Kit	18, 24, 30, 36, 42, 48, 60	84M23 (factory Installed)
Hard start kit	18	10J42
	24, 30, 36, 42, 48, 60	88M91
Fossil Fuel	All Models	AFOSL500
TXV	18, 24, 30	H4TXV01
	36, 42, 48	H4TXV02
	60	H4TXV03



1-800-865-5931

All specifications and illustrations subject to change without notice and without incurring obligations.

Form No. BHP15-100 (12/2017)

Printed in the U.S.A.