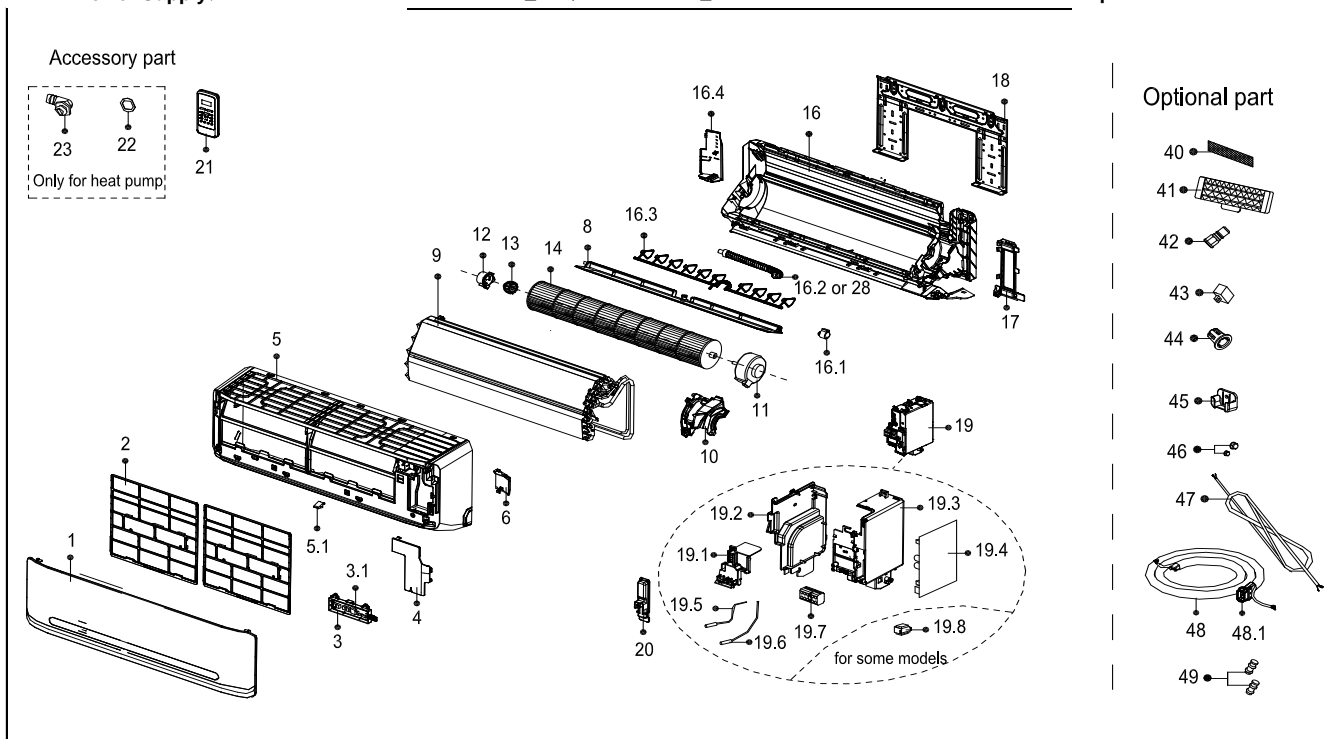


## Exploded View

**Blueridge Model:** BM09M22WM  
**Product Code:** 62220-56547705  
**Power Supply:** 208And230V\_1Ph,FREQUENCY\_60HZ

**Export Time:** 2018-03-21 15:00



No.	Part Name	Chinese Name	Quantity	BOM Code	Price
1	Panel assembly	RoHS BLUERIDGE-KFR35G/N1Y-AB6.1-0101(LUERIDGE)	1	12122000A69036	\$5.98
2	Filter filter subassembly	RoHS CE-KFR35G/N1Y-AB-5	2	12100204000522	\$0.65
3	Display box subassembly	RoHS EU-KFR26G/N1Y-TC.JD.GN.WXXS.XK1.4 (8+WIFI)	1	17222000A07041	\$11.51
3.1	Display board subassembly	RoHS CE-KFR26G/Y-12F(WIFI).ZJD.JGN.WXS.XS2.15	1	17122000006991	\$2.41
3.1	Display board subassembly	RoHS EU-KFR26G/N1Y-TC.JD.GN.WXXS.XS2.4 8+WIFI	1	17122000A07845	\$7.59
4	Cover of electrical equipment	RoHS CE-KFR35G/N1Y-AB-3	1	12122000006755	\$0.30
5	Panel frame assembly	RoHS CE-KFR35G/N1Y-AB.2	1	12122000001726	\$7.48
5.1	Screw cap	RoHS CE-KFR35G/N1Y-AB-2	1.0	12122000009477	\$0.01
6	Front cover of chassis(right)	RE-GY103 RoHS KFR-35G/BP3DN1Y-LB-9	1	12122000004587	\$0.12
8	Horizontal louver assembly	( S1022) RoHS CE-KFR35G/N1Y-AB.7	1	12122000005815	\$1.30
9	Evaporator Assembly	REACH,RoHS EU-KFR35G/BP3N1Y-TCBU.ZL(0.15)(DZ)(J) 浅金色 φ7-14U (	1	15822000A16172	\$42.08
10	Fan motor cover	RE-GY103 RoHS CE-KFR35G/N1Y-AB-7	1	12122000005540	\$0.56
11	Brushless DC Motor	RoHS ZKFP-20-8-6-7 310V	1	11002015000051	\$19.55
12	Bearing holder	RoHS ZCZT-01	1	12122000003350	\$0.07
13	Bearing base	RoHS ZCZ-01	1	12622000000006	\$0.14
14	Cross flow fan	RoHS,REACH GL-94*605-N	1	12100102000044	\$4.12
16	Chassis assembly	RoHS CE-KFR35G/N1Y-AB.1B	1	12122000011818	\$17.36
16.1	stepper motor	RoHS SM-24-19-16-8	1	110020100000143	\$1.37
16.3	Vertical vane subassembly	RoHS CE-KFR35G/N1Y-AB.3	1	12122000000038	\$0.30
16.4	Front cover of chassis(left )	RE-GY103 RoHS CE-KFR35G/N1Y-AB-8	1	12122000010098	\$0.21
17	pipe clamp board	RE-GY103 RoHS CE-KFR35G/N1Y-AB-14	1	12122000012943	\$0.18
18	Installation Plate	201232390037 RoHS CE-KFR26G/N1Y-AB.8	1	12222000000018	\$1.76
19	Electronic control box subassembly (Mid-and	RoHS US1-KFR26G/BP3N1Y-ABB(T0)-W.ZJD.JGN.WXNK.DK2.1	1	17222000009970	\$21.68
19.1	Electronic control box	RoHS CE-KFR35G/N1Y-AB-11	1	12122000004577	\$0.20

19.2	Left cover of electronic control box	RoHS CE-KFR35G/N1Y-AB-10	1	1212200004639	\$0.77
19.3	Right cover of electronic control box	RoHS CE-KFR35G/N1Y-AB-9	1	1212200004632	\$1.24
19.4	Main control board subassembly	RoHS US1-KFR26G/BP3N1Y-ABB(T0)-W.ZJD.JGN.WXNK.NK2.1	1	17122000019549	\$15.25
19.5	Room Temperature Sensor	RoHS CGQ-WD/SW4100-L400-XHP2-P300	1	11201007000085	\$0.47
19.6	Pipe Temperature Sensor	RoHS,REACH CGQ-WD/GW4100-L350-XAP2-P320	1	11201007000322	\$0.48
19.7	Terminal	RoHS JXZ-AD5Z-A(RS9103C-5/YF2004/JX-PF-5/JGD-ZR5-P-1)	1	17400401000094	\$0.75
20	Cover of electronic control box	(REACH-6) RoHS CE-KFR35G/N1Y-AB-12 REACH-6	1	12122000005020	\$0.08
21	Remote controller	RG57A6/BGEFU1 RoHS BLUERIDGE	1	17317000A50985	\$4.93
22	Seal ring	RoHS KC25B.4-8A	1	12600701000039	\$0.01
23	Drain hose	RoHS CSJG-1	1	12100509000061	\$0.04
28	Drain Hose	RoHS KFR-26G/BP2DN1Y-IC-10	1	12100501000032	\$0.51
40	air fresh filter	RoHS KFR-23G/AY.1-10	1	12100204000685	\$0.12
42	Detection valve	RoHS JCF-01	1	15500209000001	\$0.22
45	Bracket of remote Controller	S1022 PAHs,REACH,RoHS RG57-ZJ	1	12117000002114	\$0.30
46	Pipe Nut	RoHS GLM-B02A	1	15500404000002	\$0.13
46	Copper nut	RoHS TLM-B02	1	15500406000010	\$0.56
46	Copper nut	RoHS TLM-A01	1	15500406000016	\$0.34