

HEAT CONTROLLER, INC.

## REMOTE CONTROL GUIDE



# Portable Room Air Conditioner Remote Control for:

PSH-141A

PS-81A

PS-101A

PS-121A

*French version of this manual is available on our website*

---

# INTRODUCTION

---

**This guide shows you how to set up and operate your  
Comfort-Aire Portable Air Conditioner.**

**The remote control is already programmed to work with the unit you purchased.**

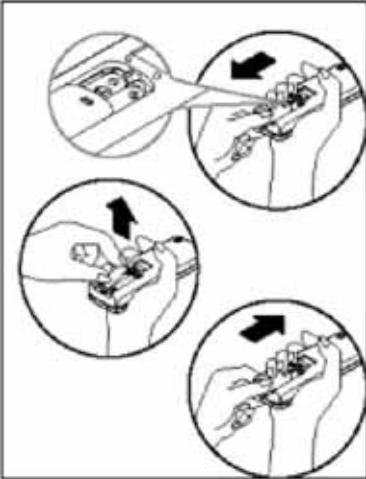
---

## TABLE OF CONTENTS

---

<b>Replacing batteries .....</b>	<b>3</b>
<b>Remote control signal.....</b>	<b>3</b>
<b>Remote controller specifications.....</b>	<b>4</b>
<b>Features and Functions .....</b>	<b>4</b>
<b>LCD Display Icons .....</b>	<b>7</b>
<b>Operating Modes .....</b>	<b>8</b>

## REPLACING BATTERIES



Before you operate the remote control, you must install (2) AAA batteries located in the battery compartment on the rear of the remote.

- (1) Remove the cover by pressing and sliding off.
- (2) Remove the old batteries and insert the new batteries, check the polarity carefully and install properly.
- (3) Reattach the cover by sliding it back into position.

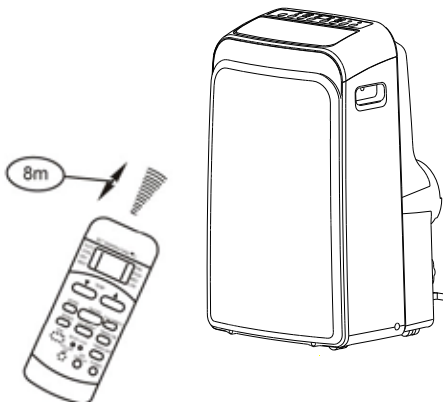
**NOTE:** *When the batteries are removed, the remote controller erases all user preferences such as timer on/off. After inserting new batteries, the remote controller must be reprogrammed for specific user preferences*

### ! CAUTIONS

- Do not mix old and new batteries or different name brands of batteries.
- Do not leave the batteries in the remote controller if it is not going to be used for a prolonged period of time.

### ! CAUTIONS

- The air conditioner will not operate if curtains, doors or other materials block the signal from the remote controller to the appliance.
- Prevent any liquid from falling into the remote controller.
- Do not expose the remote controller to direct sunlight or heat.
- If the infrared signal receiver on the appliance is exposed to direct sunlight, the air conditioner may not function properly. Use curtains to prevent the sunlight from falling on the receiver.
- If other electrical appliances react to the remote controller, try to relocate these appliance away from each other.



## REMOTE CONTROL SIGNAL

Use the remote controller within a distance of 26 ft. (8m) from the appliance, pointing it towards the receiver. Reception is confirmed by a beep.

## REMOTE CONTROLLER SPECIFICATIONS

Model	RG51B1/(C)EU, RG51B14/(C)E, RG51B31/(C)E RG51B/(C)EU, RG51B16/(C)E, RG51B31/(C)EU RG51B17/(C)EU, RG51B18/(C)E, RG51B32/(C)EU RG51B19/(C)E-M, RG51B20/(C)E, RG51B30/(C)EU RG51B25/(C)E, RG51B26/(C)EU; RG51B27/(C)E, RG51B30/(C)E.
Rated Voltage	(2) AAA: 3.0 volts
Lowest Voltage of CPU Emitting Signal	2.0V
Signal Receiving Range	26 ft. (8m)
Environment	41°F - 140°F (-5°C - 60°C)

**NOTE:**

**Temperature Setting Display:**

Celsius scale (C): RG51B14/(C)E, RG51B16/(C)E, RG51B18/(C)E, RG51B31/(C)E, RG51B19/(C)E-M, RG51B20/(C)E, RG51B25/(C)E, RG51B27/(C)E, RG51B30/(C)E.

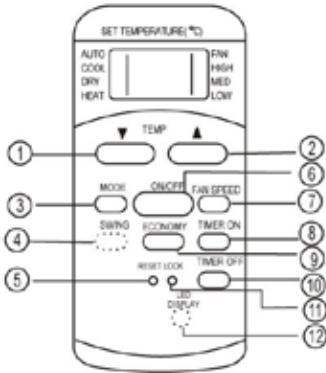
Fahrenheit scale (F): RG51B/(C)EU, RG51B1/(C)EU, RG51B17/(C)EU, RG51B26/(C)EU, RG51B30/(C)EU, RG51B32/(C)EU, RG51B31/(C)EU.

## FEATURES

1. Operating Mode: AUTO, COOL, DRY, HEAT (Heat pump models only), and FAN.
2. Timer Setting Function in 24 hours.
3. Indoor Setting Temperature Range: (62°F - 88°F (17°C - 30°C)).
4. LCD (Liquid Crystal Display).

**NOTE:** All the illustrations in this manual are for explanation purposes only.  
Your remote control may be slightly different.

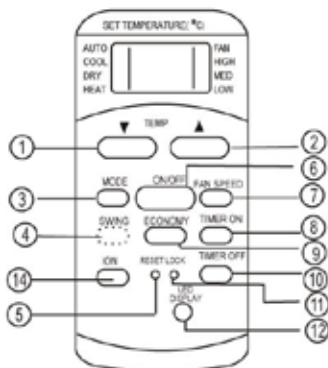
# FUNCTIONS



Model: RG51B14/(C)E,  
RG51B16/(C)E,  
RG51B18/(C)E,  
RG51B19/(C)E-M,  
RG51B20/(C)E  
RG51B31/(C)E  
RG51B30/(C)E.

### NOTE:

- RG51B16/(C)E ,RG51B18/(C)E models have no SWING feature;
- RG51B18/(C)E ,RG51B19/(C)E-M, RG51B20/(C)E models have no LED DISPLAY feature.
- RG51B19/(C)E-M model has no MED FAN feature.
- RG51B31/(C)E model ECONOMY button is instead of SLEEP button.
- RG51B30/(C)E model has no MED FAN and SWING features.



Model: RG51B25/(C)E;  
RG51B27/(C)E.

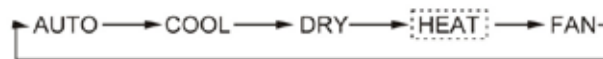
### NOTE:

RG51B25/(C)E model has no SWING feature.

**1 TEMP DOWN Button**  
Push this button to decrease the indoor temperature setting in 2°F (1°C) increments to 88°F (30°C).

**2 TEMP UP Button**  
Push this button to increase the indoor temperature setting in 2°F (1°C) increments to 62°F (17°C).

**3 MODE Button**  
Each time the mode button is pressed, the operation mode is selected in the sequence of the following:



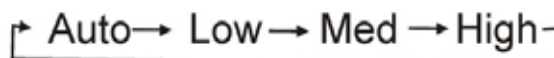
**NOTE:** Heat mode is for Heat Pump models only.

**4 SWING Button**  
Used to stop or start louver movement and set the desired up/down airflow direction.

**5 RESET Button**  
Once the recessed RESET button is pressed, all of the user preferences will be cancelled and the controller will return to the factory settings.

**6 ON/OFF Button**  
Operation starts when this button is pressed and stops when the button is pressed again.

**7 FAN SPEED Button**  
Used to select the fan speed in four steps:



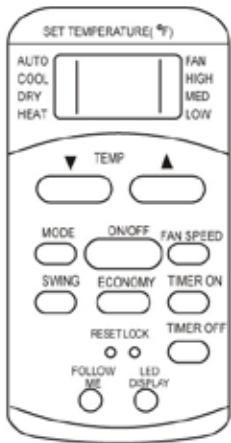
- Some models do not have the MED FAN setting.
- In some modes, the fan speed might be automatically controlled by the appliance and unable to be changed.

**8 TIMER ON Button**  
Press this button to activate the Auto-on time setting .Each press will increase the time setting in 30 minutes increments, up to 10 hours, then at 1 hour increments up to 24 hours. To cancel the Auto-on time setting, just press the button until the time setting is 0.0.

**9 ECONOMY (SLEEP) Button**  
Select this function during bedtime to maintain the most comfortable temperature and save energy. This function is available in COOL, HEAT or AUTO modes only.

**NOTE:** Sleep mode is cancelled if ON/OFF, FAN SPEED, SLEEP or MODE buttons pressed.

## FUNCTIONS continued



Model: RG51B1/(C)EU,  
 RG51B/(C)EU,  
 RG51B26/(C)EU,  
 RG51B30/(C)EU,  
 RG51B32/(C)EU,  
 RG51B31/(C)EU.

**NOTE:** RG51B/(C)EU models have no SWING and FOLLOW ME buttons ;RG51B1/(C)EU models have no FOLLOW ME button; RG51B30/(C)EU models have no SWING ,FOLLOW ME buttons and MED FAN feature,and SLEEP button instead of ECONOMY button; RG51B32/(C)EU models have no FOLLOW ME button and MED FAN feature,and SLEEP button instead of ECONOMY button;RG51B31/(C)EU models have on FOLLOW ME button.

### 10 TIMER OFF Button

Press this button to activate the Auto-off time setting. Each press will increase the time setting in 30 minutes increments, up to 10 hours, then at 1 hour increments up to 24 hours. To cancel the Auto-off time setting, just press the button until the time setting is 0.0.

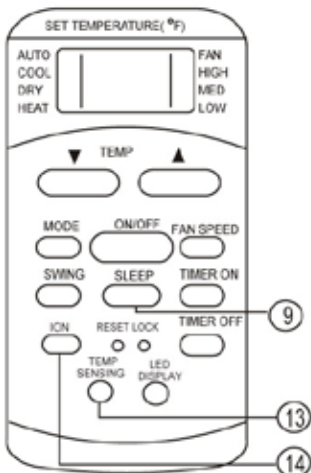
### 11 LOCK Button

Press this recessed button to lock the remote’s settings. Use the LOCK mode when you want to prevent settings from being changed accidentally. Press the LOCK button again to cancel the LOCK function. A lock symbol will appear on the remote controller display when the lock function is activated.

### 12 LED Display Button

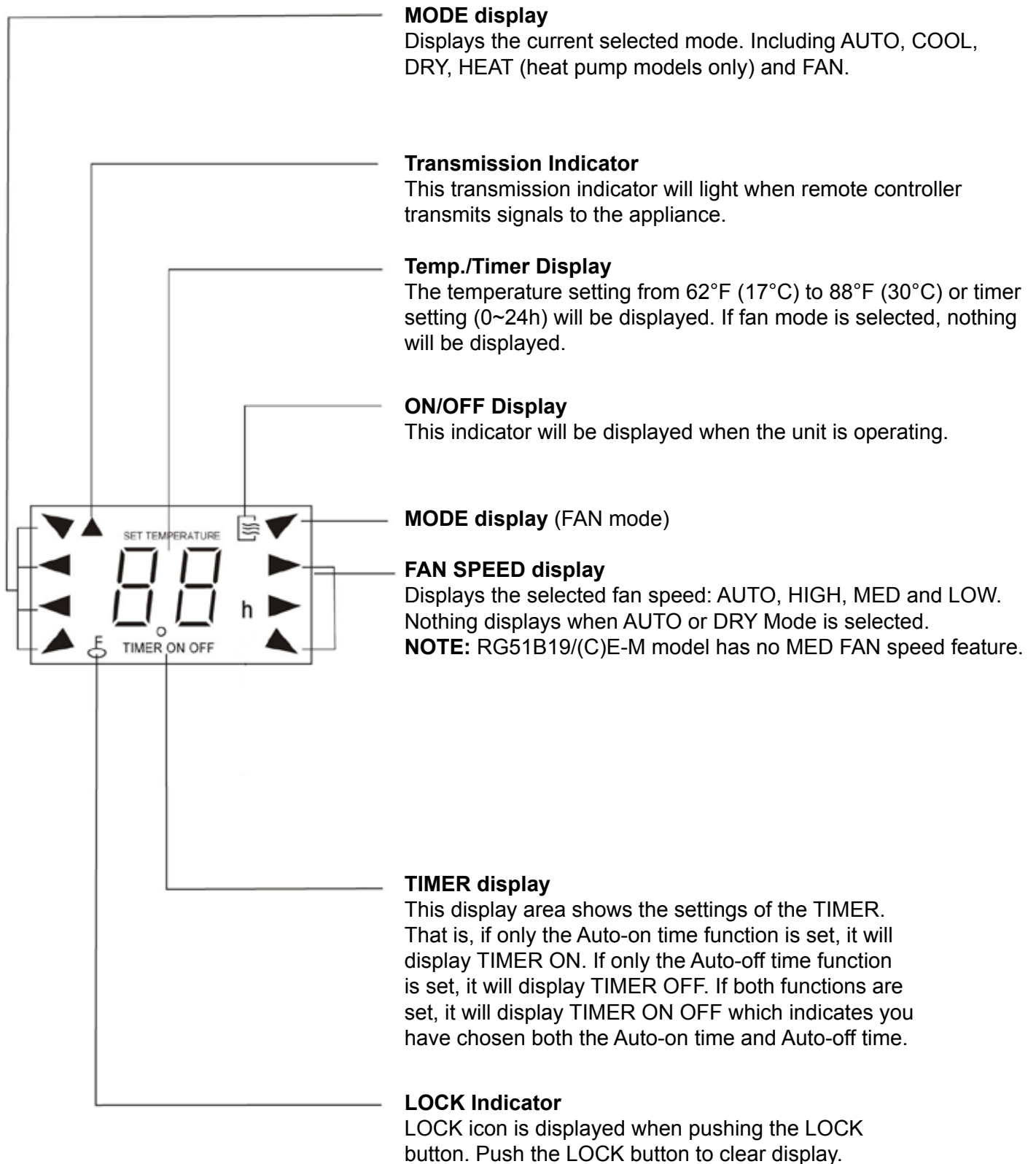
Press this button to clear the display on the appliance, press it again to light the display.

**NOTE:** RG51B18/(C)E ,RG51B19/(C)E-M, RG51B20/(C)E models have no this feature.



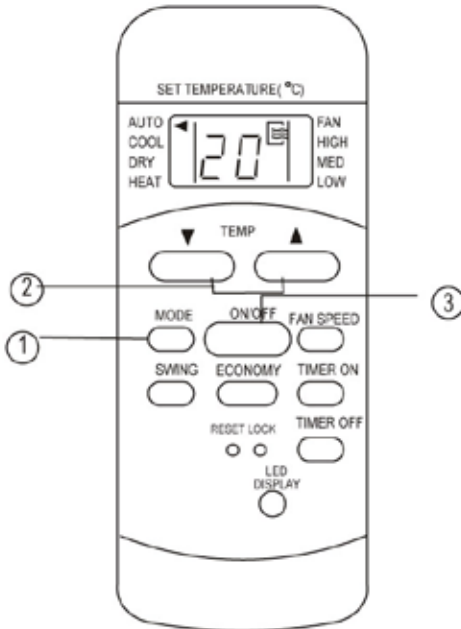
Model: RG51B17/(C)EU

## LCD DISPLAY ICONS



## OPERATING MODES

### Auto Operation



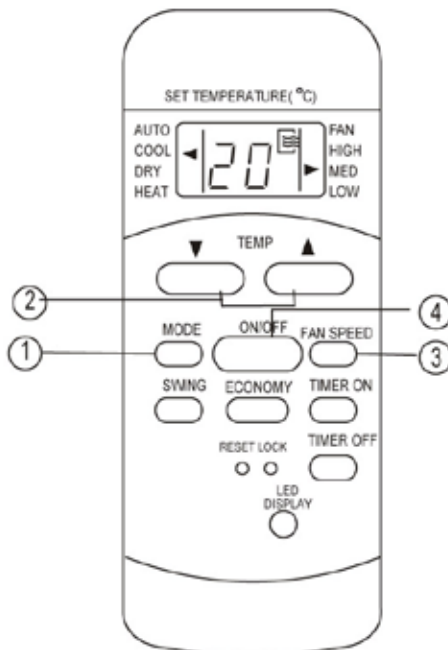
Ensure the unit is plugged in and power is available. The OPERATION indicator on the display panel of the appliance illuminates.

1. Press the **MODE** button to select Auto.
2. Press the **TEMP** button to set the desired temperature. The temperature can be set within a range of 62°F (17°C) ~ 88°F (30°C) in 2°F (1°C) increments.
3. Press the **ON/OFF** button to start the appliance.

#### NOTE:

1. In the Auto mode, the air conditioner can logically choose Cooling, Fan, Heating and Dehumidifying by sensing the difference between the actual ambient room temperature and the set temperature on the remote controller.
2. In the Auto mode, you can not change the fan speed. It is being automatically controlled.
3. If the Auto mode is not comfortable for you, the desired mode can be selected manually.

### Cooling / Heating / Fan Operation



Ensure the unit is plugged in and power is available.

1. Press the **MODE** button to select COOL, HEAT, (heat pump models only) or FAN mode.
2. Press the **TEMP** button to set the desired temperature. The temperature can be set within a range of 62°F (17°C) ~ 88°F (30°C) in 2°F (1°C) increments.
3. Press the **FAN SPEED** button to select the fan speed in four steps- Auto, Low, Med, or High.
4. Press the **ON/OFF** button to start the air conditioner.

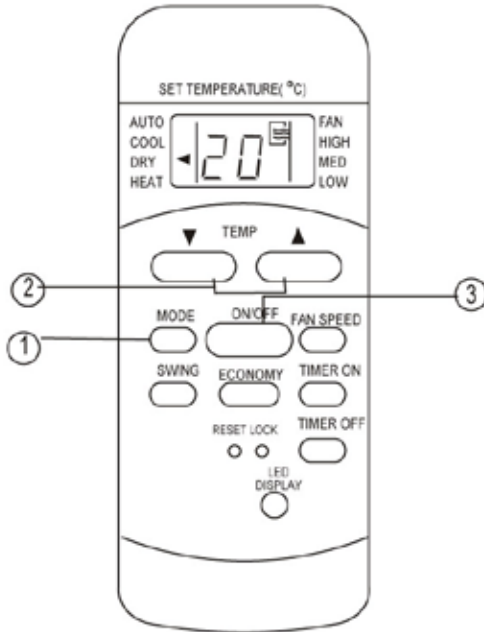
#### NOTE:

In the FAN mode, the set temperature is not displayed the remote controller and you are not able to control the room temperature either. In this case, only step 1, 3 and 4 may be performed.



## OPERATING MODES

### Dry (Dehumidifying) Operation



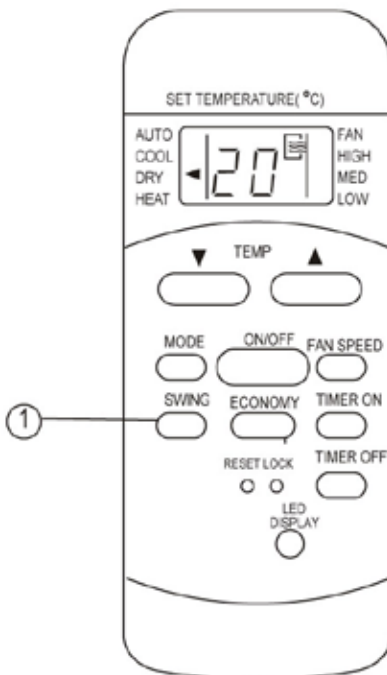
Ensure the unit is plugged in and power is available. The OPERATION indicator on the display panel of the indoor unit illuminates.

1. Press the **MODE** button to select DRY mode.
2. Press the **TEMP** button to set the desired temperature.  
The temperature can be set within a range of within a range of 62°F (17°C) ~ 88°F (30°C) in 2°F (1°C) increments.
3. Press the ON/OFF button to start the air conditioner.

**NOTE:**

*In Dry mode, you can not change the fan speed. It is being automatically controlled.*

### Swing Operation



Use the SWING button to adjust the airflow direction of the appliance's louvers.

1. When the button is pressed quickly one time, the angle of the louver can be set by 6° for each press. Keep pressing the button to move the louver to the desired position.
2. By pressing the SWING button 2 seconds, the auto swing feature is activated. The louver will swing up/down automatically. Press it again to stop.

**NOTE:**

*When the louver is placed in a position which would affect the cooling and heating performance of the appliance, the appliance will automatically adjust the swing/louver position to the proper angle for optimal performance.*

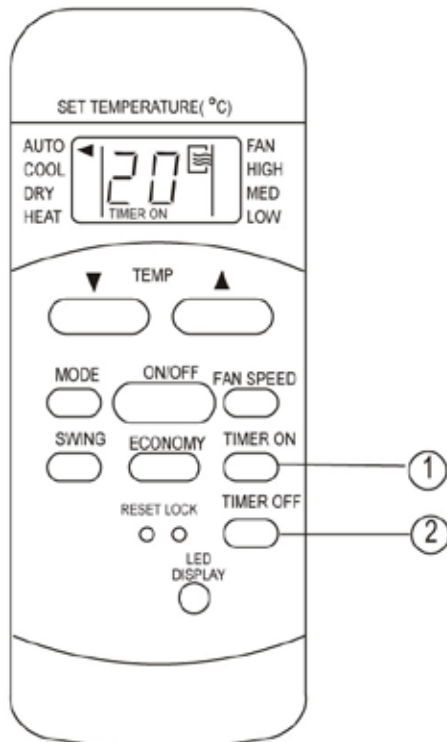
## OPERATING MODES

### Timer Operation

Press the TIMER ON button to set the auto-on time of the unit. Press the TIMER OFF button can set the auto-off time of the unit.

#### To set the Auto-on time.

1. Press the TIMER ON button. The remote controller will display TIMER ON, the last Auto-on setting time and the “h” icon will be shown on the LCD display area. Now it is ready to reset the Auto-on time to START the operation.
2. Push the TIMER ON button again to set desired Auto-on time. Each time you press the button, the time increases in 30 minutes increments, up to 10 hours, then at 1 hour increments up to 24 hours.
3. After setting the TIMER ON, there will be a half second delay before the remote controller transmits the signal to the appliance. Then, after approximately another 2 seconds, the “h” icon will disappear and the set temperature will re-appear on the LCD display window.  
To set the Auto-on time.



#### To set the Auto-off time.

1. Press the TIMER OFF button. The remote controller will display TIMER OFF, the last Auto-off setting time and the “h” icon will be shown on the LCD display area. Now it is ready to reset the Auto-off time to START the operation.
2. Push the TIMER OFF button again to set desired Auto-off time. Each time you press the button, the time increases in 30 minutes increments, up to 10 hours, then at 1 hour increments up to 24 hours.
3. After setting the TIMER OFF, there will be a half second delay before the remote controller transmits the signal to the appliance. Then, after approximately another 2 seconds, the “h” icon will disappear and the set temperature will re-appear on the LCD display window.

## OPERATING MODES

---

### Example of Timer Setting

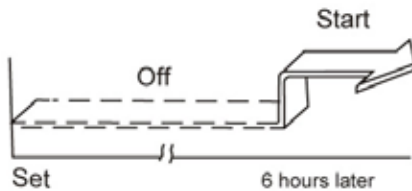
#### TIMER ON (Auto-on Operation)

The TIMER ON feature is useful when you want the unit to turn on automatically at a particular time, such as before you return home from work. The appliance will automatically start operating at the set time.

#### Example:

To start the air conditioner in 6 hours.

1. Press the TIMER ON button, the last setting of starting operation time and the “h” icon will show on the display area.
2. Press the TIMER ON button to display “6:0h” on the TIMER ON display of the remote controller.
3. Wait for about 3 seconds and the digital display area will show the temperature again. Now this function is activated.
4. After 6 hours has passed, the appliance will automatically turn on.



# OPERATING MODES



## Timer Off

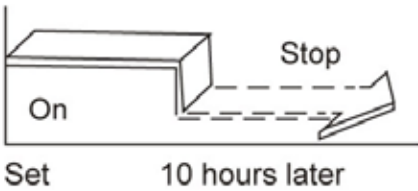
### (Auto-off Operation)

The TIMER OFF feature is useful when you want the unit to turn off at a particular time automatically such as when you go to bed. The appliance will stop automatically at the set time.

### Example:

To stop the air conditioner after 10 hours.

1. Press the TIMER OFF button, the last scheduled timer off time and the "h" icon will be displayed.
2. Press the TIMER OFF button to display "10h" on the TIMER OFF display of the remote controller.
3. Wait for about 3 seconds and the digital display area will show the temperature again. Now this function is activated.
4. After the appliance runs for 10 hours, it will automatically turn off



## Combined Timer ON/OFF

(Setting both ON and OFF timers simultaneously)

TIMER OFF → TIMER ON  
 (On → Stop → Start operation)

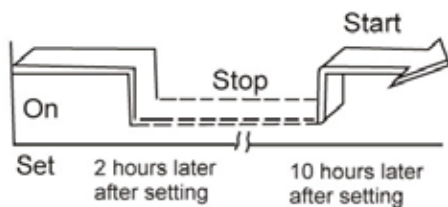
This feature is useful when you want to stop the air conditioner after you go to bed, and start it again in the morning when you wake up.



### Example:

To stop the air conditioner 2 hours after setting and start it again 10 hours after setting.

1. Press the TIMER OFF button.
2. Press the TIMER OFF button again to display 2.0h on the TIMER OFF display.
3. Press the TIMER ON button.
4. Press the TIMER ON button again to display 10h on the TIMER ON display .
5. Wait for the remote control to display the setting temperature.



# OPERATING MODES



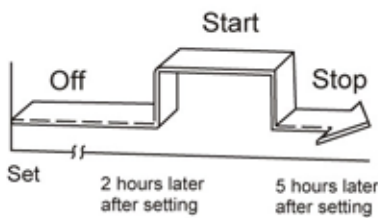
### TIMER ON TIMER OFF

(Off Start Stop operation)

This feature is useful when you want to start the air conditioner before you wake up and stop it after you leave the house. To start the air conditioner 2 hours after setting, and stop it 5 hours after setting.

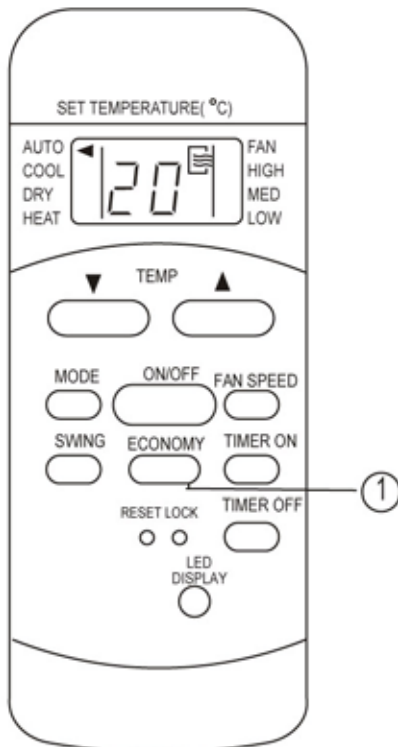
### EXAMPLE:

1. Press the TIMER ON button.
2. Press the TIMER ON button again to display 2.0h on the TIMER ON display.
3. Press the TIMER OFF button.
4. Press the TIMER OFF button again to display 5.0h on the TIMER OFF display .
5. Wait for the remote control to display the setting temperature.



**CAUTIONS**

The timer setting(TIMER ON or TIMER OFF) sequence occurs directly after the set time will be activated first.



### ECONOMY(SLEEP) operation

When you press the ECONOMY button, the set temperature will increase(cooling) or decrease(heating) by 2°F (1°C) over the next 30 minutes and by another 2°F (1°C) after an additional 30 minutes. This new temperature will be maintained for 6 to 7 hours before it returns to the originally selected temperature.

**NOTE:** *The ECONOMY/SLEEP function is only available in Cooling, Heating and AUTO models.*

Design, material, performance data and components  
subject to change without notice.

## HEAT CONTROLLER, INC.

1900 Wellworth Ave., Jackson, MI 49203 ♦ Ph. 517-787-2100 ♦ Fax 517-787-9341

THE QUALITY LEADER IN CONDITIONING AIR

[www.heatcontroller.com](http://www.heatcontroller.com)