

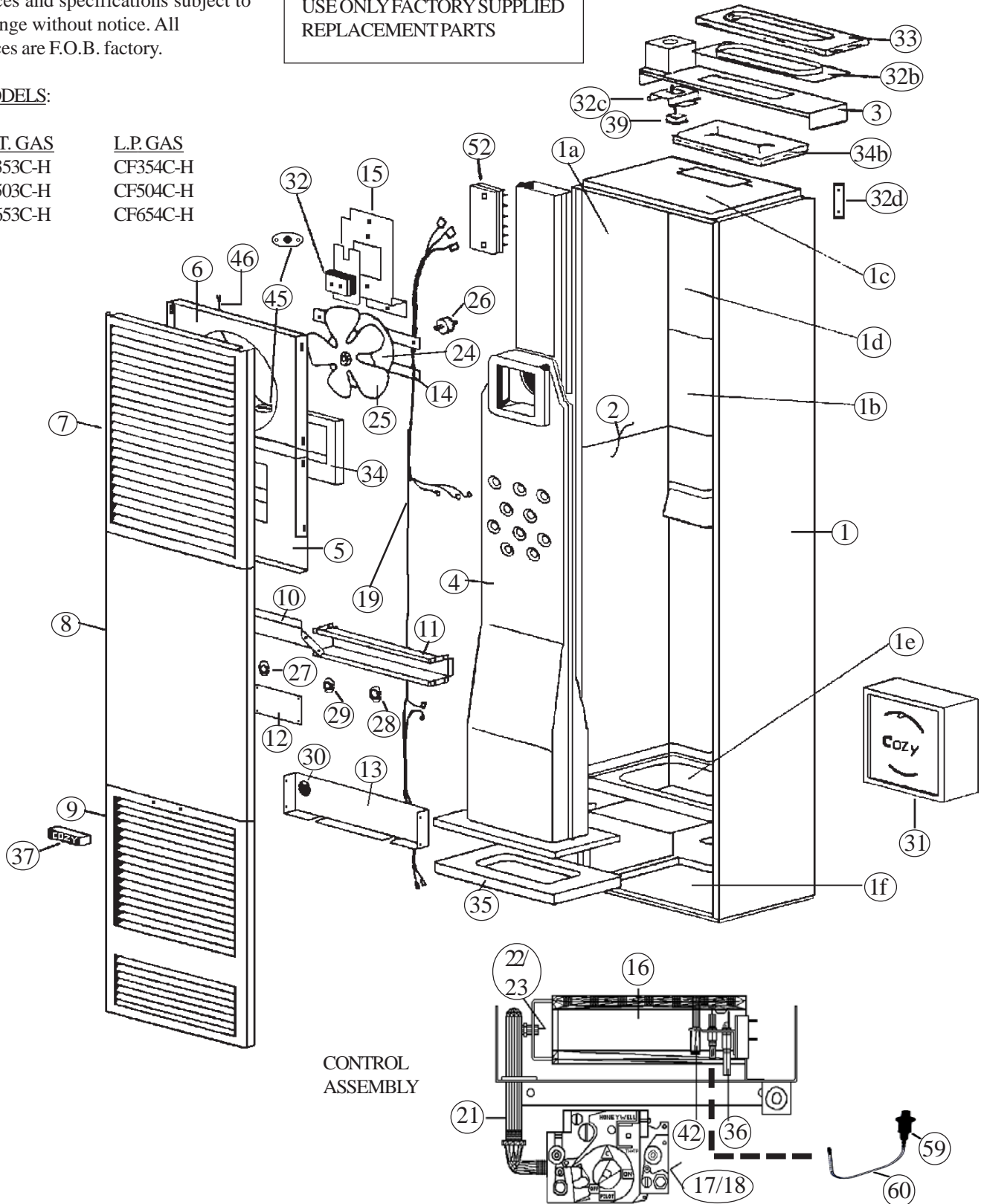
# COUNTERFLOW WALL FURNACE / STANDING PILOT

Prices and specifications subject to change without notice. All prices are F.O.B. factory.

USE ONLY FACTORY SUPPLIED REPLACEMENT PARTS

**MODELS:**

<u>NAT. GAS</u>	<u>L.P. GAS</u>
CF353C-H	CF354C-H
CF503C-H	CF504C-H
CF653C-H	CF654C-H



CONTROL ASSEMBLY

**ATTN: Contractors and Service Technicians,** we only sell parts through our wholesalers, but the prices listed are for your convenience. For prompt parts service, contact the wholesaler from which you purchased your Cozy heater. **NOTE:** Parts & schematic drawings on current models are shown at [www.cozyheaters.com](http://www.cozyheaters.com).

**HOW TO PROPERLY ORDER PARTS:** In addition to part description and part number, please give model number, serial number, and type of gas used. This information can be found on the rating plate that is attached to heater.

24 VOLT SYSTEM WITH LOW-B.T.U. STANDING PILOT							
MODEL NUMBER	NATURAL	CF353C-H		CF503C-H		CF653C-H	
	L.P.	CF354C-H		CF504C-H		CF654C-H	
PART DESCRIPTION	REF. NUMBER	PART NUMBER	LIST PRICE	PART NUMBER	LIST PRICE	PART NUMBER	LIST PRICE
Casing Side, Right	1	30055	\$ 59.30	30325	\$ 60.20	30525	\$ 63.90
Casing Side, Left	1a	30060	\$ 59.30	30330	\$ 60.20	30530	\$ 63.90
Center Back Assembly	1b	30114	\$ 45.60	30364	\$ 42.00	30544	\$ 45.00
Top Assembly	1c	30025	\$ 16.30	30025	\$ 16.30	30025	\$ 16.30
Upper Back Assembly	1d	30070	\$ 27.30	30070	\$ 27.30	30070	\$ 27.30
Lower Back Assembly	1e	30219	\$ 37.50	30219	\$ 37.50	30219	\$ 37.50
Bottom	1f	30246	\$ 12.00	30246	\$ 12.00	30246	\$ 12.00
Liner Assembly	2	30120	\$ 90.00	30370	\$ 90.80	30550	\$ 98.50
Header Assembly Complete	3	31399	\$ 47.30	31399	\$ 47.30	31399	\$ 47.30
Heat Exchanger Assembly	4	30133	\$ 258.40	30379	\$ 265.10	30563	\$ 265.10
Draft Diverter Assembly	5	30180	\$ 38.40	30400	\$ 52.00	30400	\$ 52.00
Fan Shroud Assembly	6	30200	\$ 26.60	30200	\$ 26.60	30200	\$ 26.60
Top Louver w/Insulation	7	30087	\$ 21.60	30087	\$ 21.60	30087	\$ 21.60
Center Front Panel w/Insulation	8	30089	\$ 30.60	30359	\$ 32.80	30534	\$ 35.30
Bottom Louver Assembly w/Insulation	9	30100	\$ 38.90	30100	\$ 38.90	30100	\$ 38.90
Upper Front Shield	10	30250	\$ 4.30	30250	\$ 4.30	30250	\$ 4.30
Switch Box	11	30252	\$ 8.80	30450	\$ 8.90	30450	\$ 8.90
Switch Box Cover	12	30253	\$ 3.50	30253	\$ 3.50	30253	\$ 3.50
Lower Front Shield	13	30256	\$ 6.30	30256	\$ 6.30	30256	\$ 6.30
Motor Mounting Bracket	14	* 30079	\$ 2.50	*30079	\$ 2.50	*30079	\$ 2.50
Junction Box Cover	15	30033	\$ 4.50	30033	\$ 4.50	30033	\$ 4.50
Burner	16	72107	\$ 46.80	72107	\$ 46.80	72107	\$ 46.80
Valve, VR8200H-1004 Natural Gas w/78089 Dis. Bushing	17	78090	\$ 153.50	78090	\$ 153.50	78090	\$ 153.50
Valve, VR8200H-1103 L.P. GAS w/78089 Dis. Bushing	18	78091	\$ 158.60	78091	\$ 158.60	78091	\$ 158.60
Disappearing Bushing 1/2 x 3/8		78089	\$ 2.40	78089	\$ 2.40	78089	\$ 2.40
Wiring Harness	19	78259	\$ 28.90	78251	\$ 28.90	78257	\$ 33.00
Manifold	21	78006	\$ 15.10	78006	\$ 15.10	78006	\$ 15.10
Orifice,NATURAL	22	72182	\$ 4.20	78160	\$ 4.20	78169	\$ 4.20
Orifice, L.P.	23	74608	\$ 4.20	78163	\$ 4.20	95273	\$ 4.20
Fan Motor	24	72108	\$ 90.70	78111	\$ 105.30	78111	\$ 105.30
Fan Blade	25	78101	\$ 29.60	78101	\$ 29.60	78101	\$ 29.60
Rubber Grommet (Requires 4)	26	**78010	\$ 3.80	**78010	\$ 3.80	**78010	\$ 3.80
Limit Switch 60T11-L180	27	78065	\$ 7.20	78065	\$ 7.20	78065	\$ 7.20
Fan Switch 60T12-F120	28	78067	\$ 7.50	78067	\$ 7.50	78067	\$ 7.50
Speed Switch 60T13-F160-30	29	N/A	N/A	78066	\$ 10.90	78066	\$ 10.90
Auxiliary Limit Switch 60T15-L350	30	78086	\$ 11.40	78086	\$ 11.40	78086	\$ 11.40
Thermostat 24 Volt	31	78355	\$ 24.60	78355	\$ 24.60	78355	\$ 24.60
Transformer	32	78069	\$ 28.90	78069	\$ 28.90	78069	\$ 28.90
Flue Pipe Adapter	32b	40061	\$ 2.40	40061	\$ 2.40	40061	\$ 2.40
Plug Bracket	32c	30047	\$ 2.30	30047	\$ 2.30	30047	\$ 2.30
Casing Mounting Brackets	32d	*30260	\$ 1.60	*30260	\$ 1.60	*30260	\$ 1.60
Flue Pipe Gasket - 4x8-7/16"	33	78050	\$ 1.60	78050	\$ 1.60	78050	\$ 1.60
Draft Diverter Gasket - 7x8"	34	78051	\$ 1.60	78051	\$ 1.60	78051	\$ 1.60
Casing Top Gasket - 8-1/2x4-1/2"	34b	78155	\$ 1.60	78155	\$ 1.60	78155	\$ 1.60
Element Support Gasket - 9-1/2x14-1/4"	35	78052	\$ 5.40	78052	\$ 5.40	78052	\$ 5.40
Pilot,NAT. 0.140.512	36	72020	\$ 27.80	72020	\$ 27.80	72020	\$ 27.80
Pilot, L.P.. 0.140.502	36	72021	\$ 27.80	72021	\$ 27.80	72021	\$ 27.80
Cozy Handle	37	84003	\$ 2.70	84003	\$ 2.70	84003	\$ 2.70
Power Cord	38	78213	\$ 5.80	78213	\$ 5.80	78213	\$ 5.80
Snap-in Outlet	39	78058	\$ 5.80	78058	\$ 5.80	78058	\$ 5.80
Thermostat Wire	41	74518	\$ 1.70	74518	\$ 1.70	74518	\$ 1.70
Thermocouple Q309A1954	42	78095	\$ 14.00	78095	\$ 14.00	78095	\$ 14.00
Insulated Staples	43	74209	\$ 1.60	74209	\$ 1.60	74209	\$ 1.60
Door Catch	44	80005	\$ 1.60	80005	\$ 1.60	80005	\$ 1.60
Blocked Flue Switch	45	78108	\$ 11.40	78109	\$ 11.40	78109	\$ 11.40
Blocked Flue Switch Wire	46	78230	\$ 1.90	78230	\$ 1.90	78230	\$ 1.90
Terminal Board	52	78300	\$ 6.20	78300	\$ 6.20	78300	\$ 6.20
Pilot Tubing w/Fittings - 16"	--	78452	\$ 6.60	78452	\$ 6.60	78452	\$ 6.60
Piezo Sparker	59	80016	\$ 7.00	80016	\$ 7.00	80016	\$ 7.00
Electrode Wire	60	72022	\$ 5.80	72022	\$ 5.80	72022	\$ 5.80
Burner Pan Assembly	53	30286	\$ 19.50	30286	\$ 19.50	30286	\$ 19.50
Valve Support Bracket Assembly	56	30290	\$ 5.80	30290	\$ 5.80	30290	\$ 5.80
Pilot Mounting Bracket	57	30299	\$ 2.90	30299	\$ 2.90	30299	\$ 2.90
Burner Mounting Plate	58	30296	\$ 3.50	30296	\$ 3.50	30296	\$ 3.50
Lighting Instructions "CF"	--	91272	N/C	91272	N/C	91272	N/C

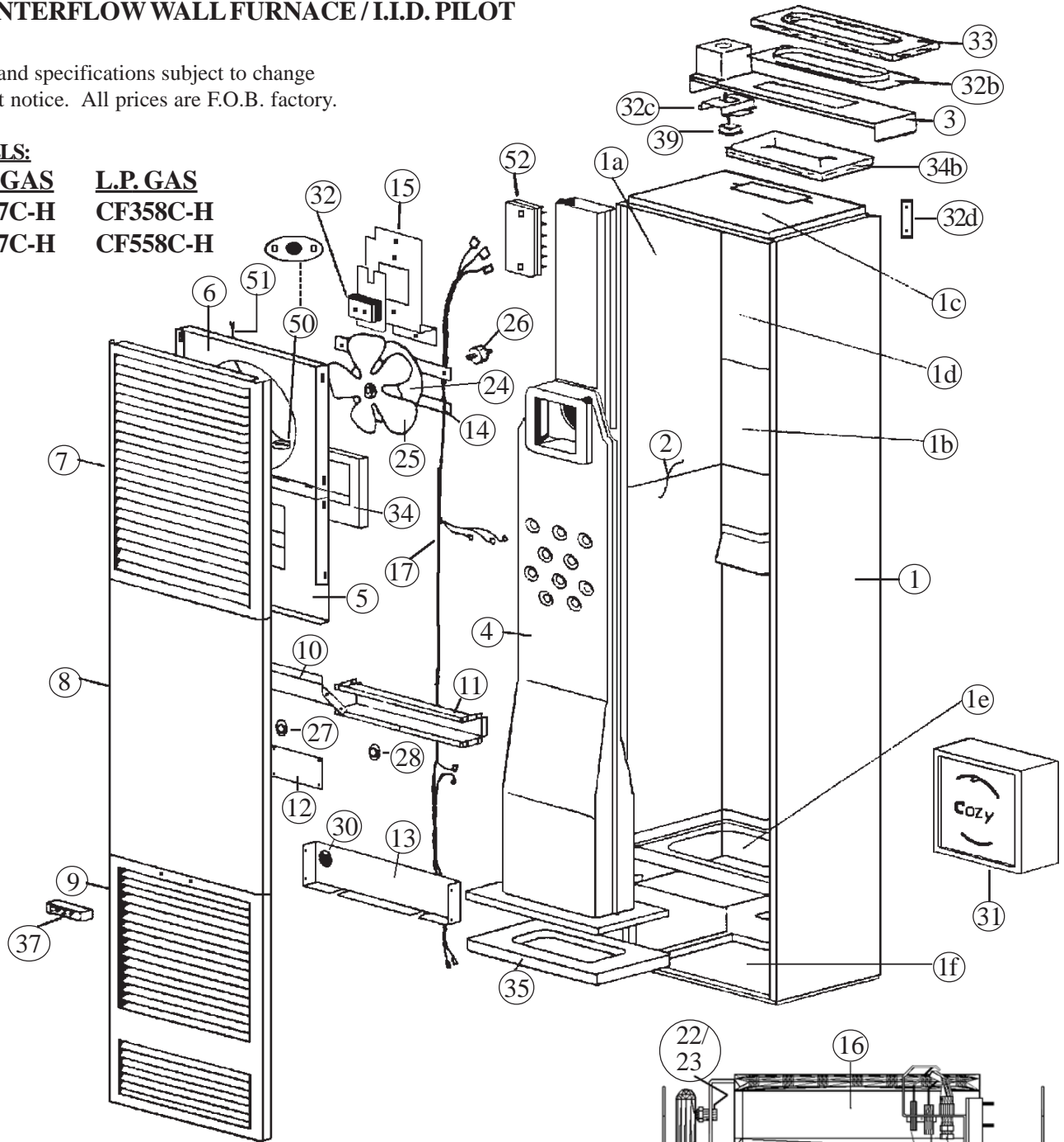
**ATTN: Contractors and Service Technicians,** we only sell parts through our wholesalers, but the prices listed above are for your convenience. For prompt parts service, contact the wholesaler from which you purchased your Cozy heater. **NOTE:** Parts & schematic drawings on current models are shown at [www.cozyheaters.com](http://www.cozyheaters.com).

# COUNTERFLOW WALL FURNACE / I.I.D. PILOT

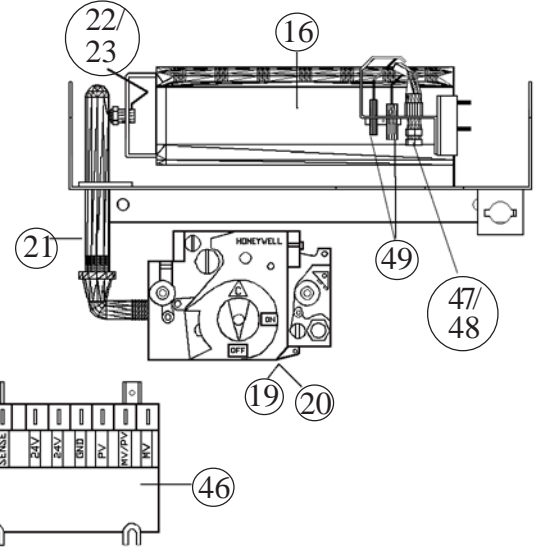
Prices and specifications subject to change without notice. All prices are F.O.B. factory.

**MODELS:**

<b>NAT. GAS</b>	<b>L.P. GAS</b>
CF357C-H	CF358C-H
CF557C-H	CF558C-H



## CONTROL ASSEMBLY



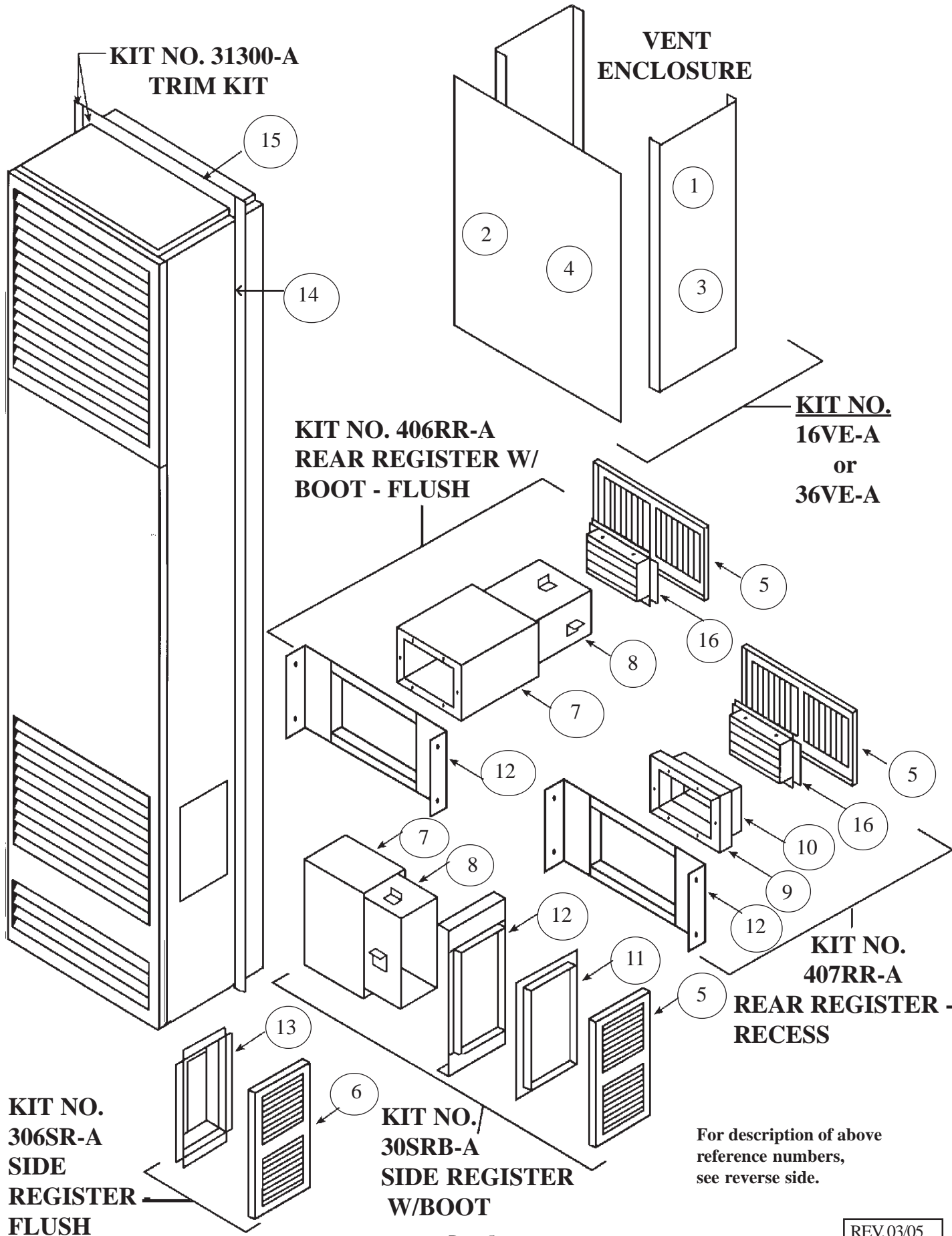
**USE ONLY FACTORY SUPPLIED REPLACEMENT PARTS**

**ATTN: Contractors and Service Technicians,** we only sell parts through our wholesalers, but the prices listed are for your convenience. For prompt parts service, contact the wholesaler from which you purchased your Cozy heater. **NOTE:** Parts & schematic drawings on current models are shown at [www.cozyheaters.com](http://www.cozyheaters.com).

**HOW TO PROPERLY ORDER PARTS:** In addition to part description and part number, please give model number, serial number, and type of gas used. This information can be found on the rating plate that is attached to heater.

MODEL NUMBERS	NATURAL	CF357C-H		CF557C-H	
	L.P.	CF358C-H		CF558C-H	
PART DESCRIPTION	REF. NUMBER	PART NUMBER	LIST PRICE	PART NUMBER	LIST PRICE
Casing Side, Right	1	30055	\$ 59.30	30525	\$ 63.90
Casing Side, Left	1a	30060	\$ 59.30	30530	\$ 63.90
Center Back Assembly	1b	30114	\$ 45.60	30544	\$ 45.00
Top Assembly	1c	30025	\$ 16.30	30025	\$ 16.30
Upper Back Assembly	1d	30070	\$ 27.30	30070	\$ 27.30
Lower Back Assembly	1e	30219	\$ 37.50	30219	\$ 37.50
Bottom	1f	30246	\$ 12.00	30246	\$ 12.00
Liner Assembly	2	30120	\$ 90.00	30550	\$ 98.50
Header Assembly Complete	3	31399	\$ 47.30	31399	\$ 47.30
Heat Exchanger Assembly	4	30133	\$ 258.40	30562	\$ 266.60
Draft Diverter Assembly	5	30180	\$ 38.40	30400	\$ 52.00
Fan Shroud Assembly	6	30200	\$ 26.60	30200	\$ 26.60
Top Louver w/Insulation	7	30087	\$ 21.60	30087	\$ 21.60
Center Front Panel w/Insulation	8	30089	\$ 30.60	30534	\$ 35.30
Bottom Louver Assembly w/Insulation	9	30100	\$ 38.90	30100	\$ 38.90
Upper Front Shield	10	30250	\$ 4.30	30250	\$ 4.30
Switch Box	11	30252	\$ 8.80	30450	\$ 8.90
Switch Box Cover	12	30253	\$ 3.50	30253	\$ 3.50
Lower Front Shield	13	30256	\$ 6.30	30256	\$ 6.30
Motor Mounting Bracket	14	*30079	\$ 2.50	*30079	\$ 2.50
Junction Box Cover	15	30033	\$ 4.50	30033	\$ 4.50
Burner	16	72107	\$ 46.80	72107	\$ 46.80
Wiring Harness	17	78259	\$ 28.90	78257	\$ 33.00
Valve, Nat. - I.I.D. VR8204H-1006 w/78089 Disappearing Bushing	19	78092	\$ 150.70	78092	\$ 150.70
Valve, L.P. - I.I.D. VR8204H-1006 (Conv.) w/78089 Dis. Bushing	20	78093	\$ 150.70	78093	\$ 150.70
Disappearing Bushing 1/2 x 3/8	N/A	78089	\$ 2.40	78089	\$ 2.40
Manifold	21	78006	\$ 15.10	78006	\$ 15.10
Orifice, Natural	22	72182	\$ 4.20	78161	\$ 4.20
Orifice, L.P.	23	95271	\$ 4.20	78168	\$ 4.20
Fan Motor	24	72108	\$ 90.70	78111	\$ 105.30
Fan Blade	25	78101	\$ 29.60	78101	\$ 29.60
Rubber Grommet (Requires 4)	26	**78010	\$ 3.80	**78010	\$ 3.80
Limit Switch	27	78065	\$ 7.20	78065	\$ 7.20
Fan Switch 60T12-F120	28	78067	\$ 7.50	78067	\$ 7.50
Speed Switch F160-30	29	N/A	N/A	78066	\$ 10.90
Auxiliary Limit Switch 60TG15 350 Deg., Lower	30	78086	\$ 11.40	78086	\$ 11.40
Thermostat	31	78355	\$ 24.60	78355	\$ 24.60
Transformer	32	78069	\$ 28.90	78069	\$ 28.90
Flue Pipe Adapter	32b	40061	\$ 2.40	40061	\$ 2.40
Plug Bracket	32c	30047	\$ 2.30	30047	\$ 2.30
Casing Mounting Brackets	32d	*30260	\$ 1.60	*30260	\$ 1.60
Flue Pipe Gasket - 4x8-7/16"	33	78050	\$ 1.60	78050	\$ 1.60
Draft Diverter Gasket - 7x8"	34	78051	\$ 1.60	78051	\$ 1.60
Casing Top Gasket - 8-1/2x4-1/2"	34b	78155	\$ 1.60	78155	\$ 1.60
Element Support Gasket - 9-1/2x14-1/4"	35	78052	\$ 5.40	78052	\$ 5.40
Cozy Handle	37	84003	\$ 2.70	84003	\$ 2.70
Power Cord	38	78213	\$ 5.80	78213	\$ 5.80
Snap-in Outlet	39	78058	\$ 5.80	78058	\$ 5.80
Thermostat Wire	41	74518	\$ 1.70	74518	\$ 1.70
Ignition Control Box S8600B	46	78097	\$ 157.10	78097	\$ 157.10
Pilot Assy., Electronic w/Flame Ignitor, NAT.	47 & 49	78098	\$ 36.60	78098	\$ 36.60
Pilot Assy., Electronic w/Flame Ignitor, L.P.	48 & 49	78099	\$ 36.60	78099	\$ 36.60
Blocked Flue Switch	50	78108	\$ 11.40	78109	\$ 11.40
Blocked Flue Switch Wire	51	78230	\$ 1.90	78230	\$ 1.90
Terminal Board	52	78300	\$ 6.20	78300	\$ 6.20
Pilot Tubing w/Fitting - 16"	--	78452	\$ 6.60	78452	\$ 6.60
Burner Pan Assembly	53	30286	\$ 19.50	30286	\$ 19.50
Valve Support Bracket Assembly	56	30290	\$ 5.80	30290	\$ 5.80
Pilot Mounting Bracket, IID	57	30299	\$ 2.90	30299	\$ 2.90
Burner Mounting Plate	58	30296	\$ 3.50	30296	\$ 3.50
Lighting Instructions "CF"	--	91261	N/C	91261	N/C

**ATTN: Contractors and Service Technicians,** we only sell parts through our wholesalers, but the prices listed above are for your convenience. For prompt parts service, contact the wholesaler from which you purchased your Cozy heater. **NOTE:** Parts & schematic drawings on current models are shown at [www.cozyheaters.com](http://www.cozyheaters.com).



For description of above reference numbers, see reverse side.

<b>PART DESCRIPTION</b>	<b>REF. NO.</b>	<b>PART NO.</b>	<b>LIST PRICE</b>
16" Vent Enclosure Side	1	31360	\$ 10.10
16" Vent Enclosure Front	2	31355	\$ 12.60
24" Vent Enclosure Side	1	31367	\$ 15.40
24" Vent Enclosure Front	2	31366	\$ 19.00
36" Vent Enclosure Side	3	31385	\$ 18.80
36" Vent Enclosure Front	4	31380	\$ 23.20
Side / Rear Register	5	31630	\$ 22.10
Side Register	6	31525	\$ 22.10
Large Outer Boot	7	31580	\$ 28.80
Large Inner Boot	8	31560	\$ 26.10
Small Outer Boot	9	31720	\$ 11.90
Small Inner Boot	10	31710	\$ 11.20
Boot Trim	11	31615	\$ 19.40
Plaster Ground	12	31595	\$ 14.20
Side Boot	13	31510	\$ 11.30
Cabinet Side Trim Angle	14	31310	\$ 6.50
Cabinet Top Trim	15	31320	\$ 5.70
Damper Assembly	16	31675	\$ 25.20
<b>REPLACEMENT WIRING - STANDING PILOT COUNTERFLOW</b>			
<b>MODELS CF353C &amp; CF354C</b>			
Black 17-1/2" Fork Term./with Stripped end Transformer (24 V. Side) to Thermostat		78200	\$ 1.90
Black 27" Flag Terminal/Flag Terminal Auxiliary Limit Switch to Valve		78205	\$ 2.40
Wiring Harness		78259	\$ 28.90
<b>MODELS CF503C &amp; CF504C</b>			
Black 17-1/2" Fork Term./with stripped end Transformer (24 V.) to Thermostat		78200	\$ 1.90
Black 32" Flag Terminal/Flag Terminal Auxiliary Limit Switch - Valve		78216	\$ 2.30
Black 6" Flag Terminal/Flag Terminal Selector Switch - Fan Switch		78208	\$ 2.00
Wiring Harness		78251	\$ 28.90
<b>MODELS CF653C &amp; CF654C</b>			
Black 17-1/2" Fork Term./with stripped end Transformer (24 V.) to Thermostat		78200	\$ 1.90
Black 32" Flag Terminal/Flag Terminal Auxiliary Limit Switch - Valve		78216	\$ 2.30
Black 6" Flag Terminal/Flag Terminal Selector Switch to Fan Switch		78208	\$ 2.00
Wiring Harness		78257	\$ 33.00
<b>REPLACEMENT WIRING - I.I.D. (INTERMITTENT IGNITION) COUNTERFLOW</b>			
<b>MODELS CF357C &amp; CF358C</b>			
Black 17-1/2" Fork Term./with stripped end Transformer (24V. Side) to Thermostat		78200	\$ 1.90
Black 30" Flag Terminal/Straight Terminal Auxiliary limit to ignition control box		78214	\$ 2.30
Wiring Harness		78259	\$ 28.90
<b>MODELS CF557C &amp; CF558C</b>			
Black 17-1/2" Fork Term./with stripped end Transformer (24V.) to Thermostat		78200	\$ 1.90
Black 38" Flag Terminal/Straight Terminal Auxiliary limit to ignition control box		78258	\$ 2.70
Black 6" Flag Terminal/Flag Terminal Selector Swith - Fan Switch		78208	\$ 2.00
Wiring Harness		78257	\$ 33.00

**ATTN: Contractors and Service Technicians**, we only sell parts through our wholesalers, but the prices listed above are for your convenience. For prompt parts service, contact the wholesaler from which you purchased your Cozy heater. **NOTE:** Parts & schematic drawings on current models are shown at [www.cozyheaters.com](http://www.cozyheaters.com).