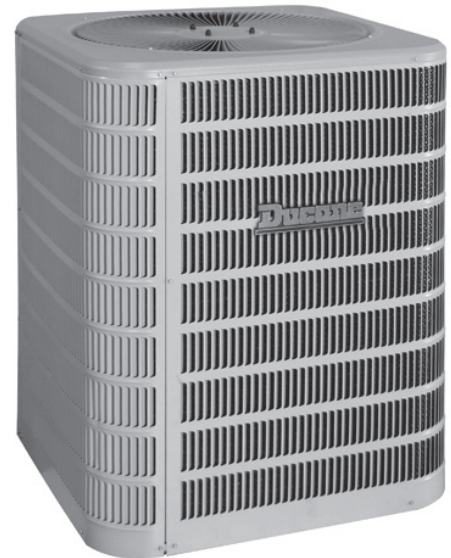


4AC13 Features and Benefits

Form No. D4AC13-2-100 (07/2011)

- R410a Refrigerant
- High-quality condenser coil with copper tubing and enhanced louvered fin for maximum heat transfer capacity
- Top discharge directs hot air away from living area and shrubbery
- All units factory run tested
- Available with louvered panel or wire guard coil protection
- Easy access to electrical panels
- Corner mounted service valves for easy hook-up and service
- Liquid line filter drier shipped loose
- Charged for 15 feet of interconnecting tubing
- All units UL and ULC approved and AHRI listed



WARRANTY

- 10 year limited warranty on compressor, 10 year limited warranty on all parts, extended warranty available*

*Warranty provides for a total of 10 years of limited warranty coverage (Standard 5-year limited parts warranty plus an additional 5-year limited extended parts warranty). Warranty must be registered online within 60 days of installation to qualify for 10-year coverage. Unregistered equipment defaults to 5-year coverage. Lifetime limited heat exchanger warranty applies to registered equipment only (Standard 20 years with no online registration). See full warranty at www.alliedair.com for terms, conditions and exclusions.

Model Number Guide

	4	AC	13	B/L	24	P	-	3	A	
Refrigerant – R410a	AC		13	B/L	24	P	-	3	A	Minor Revision Code
AC = Condenser	AC		13	B/L	24	P	-	3	A	Major Revision Code
13 - 13 SEER Nominal	AC		13	B/L	24	P	-	3	A	Voltage P - 208-230v/60hz Single Phase
Family/Coil Protection B = Wire Guard L = Louvered	AC		13	B/L	24	P	-	3	A	Nominal Capacity 24 - 24,000 Btu/h

Electrical and Physical Data

Model	Voltage/ Hz/ Phase	Voltage Range	Min. Circuit (Amps)	Max. Fuse (Amps)†	Compressor		Fan Motor			Refrig. Charge (oz.)† †	Weight (lbs.)	
					Rated Load (Amps)	Locked Rotor (Amps)	Full Load (Amps)	Rated HP	Nom. RPM		Wire Guard	Louvered
4AC13*18P-4	208-230/60/1	197 - 253	12.00	20	9.0	39	0.7	1/10	1010	61	130	138
4AC13*24P-3	208-230/60/1	197 - 253	17.50	30	13.4	53	0.7	1/10	1010	70	132	140
4AC13*30P-3	208-230/60/1	197 - 253	18.70	30	14.1	59	1.1	1/5	1090	68	142	154
4AC13*36P-3	208-230/60/1	197 - 253	21.90	35	16.6	70	1.1	1/5	1090	89	147	159
4AC13*42P-3	208-230/60/1	197 - 253	25.30	40	18.8	90	1.7	1/4	825	102	187	199
4AC13*48P-3	208-230/60/1	197 - 253	28.90	50	21.8	100	1.7	1/4	825	120	207	229
4AC13*60P-3	208-230/60/1	197 - 253	34.60	60	26.3	120	1.7	1/4	830	160	229	236

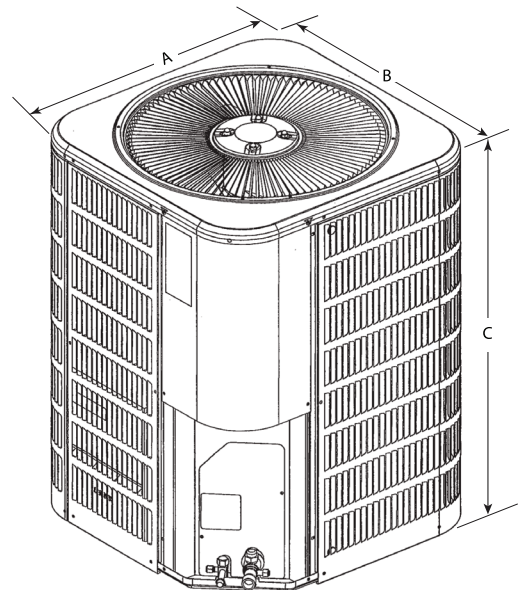
† Overcurrent protection device

† † Factory charge adequate for 15 feet of line set. Adjust per Installation Instructions.

* = B or L B = Wire Guard
 L = Louvered

Unit Dimensions & Sound Ratings

Model	Dimensions			Sound Ratings (dBa)
	A - width (in.)	B - depth (in.)	C - height (in.)	
4AC13*18P-4	24.25	24.25	24.50	76
4AC13*24P-3	24.25	24.25	24.50	76
4AC13*30P-3	24.25	24.25	28.50	76
4AC13*36P-3	24.25	24.25	28.50	76
4AC13*42P-3	28.25	28.25	28.50	79
4AC13*48P-3	28.25	28.25	36.50	79
4AC13*60P-3	28.25	28.25	32.50	79



* = B or L B = Wire Guard
 L = Louvered

Cooling Performance with Evaporator Coils

Outdoor Model	Indoor Model	SEER	EER	Rated AHRI Capacity ¹	Rated Sensible Capacity	CFM	Refrigerant Connection				Refrigerant Line Size		Indoor Metering Device	
	Piston or Field Installed TXV						Outdoor		Indoor		Suction	Liquid	Req'd Indoor ² Capacity	Optional Indoor
							Suction	Liquid	Suction	Liquid				
4AC13*18P-4	E*1P19-1	13.00	11.00	17,600	13680	650	3/4	3/8	3/4	3/8	3/4	3/8	0.051	A4TXV01
	E*1P23-1	13.00	11.00	18,000	13680	650	3/4	3/8	3/4	3/8	3/4	3/8	0.051	A4TXV01
	E*1P29-1	13.00	11.00	18,000	13680	650	3/4	3/8	3/4	3/8	3/4	3/8	0.051	A4TXV01
4AC13*24P-3	E*1P23-1	13.00	11.00	23,000	17480	800	3/4	3/8	3/4	3/8	3/4	3/8	0.057	A4TXV01
	E*1P24-1	13.00	11.00	22,800	17480	800	3/4	3/8	3/4	3/8	3/4	3/8	0.057	A4TXV01
	E*1P29-1	13.00	11.00	23,000	17480	800	3/4	3/8	3/4	3/8	3/4	3/8	0.057	A4TXV01
	E*1P30-1	13.00	11.00	23,000	17480	800	3/4	3/8	3/4	3/8	3/4	3/8	0.057	A4TXV01
	E*1P36-1	13.00	11.00	23,000	17480	800	3/4	3/8	3/4	3/8	3/4	3/8	0.057	A4TXV01
4AC13*30P-3	E*1P23-1	13.00	11.00	28,000	21000	1000	3/4	3/8	3/4	3/8	3/4	3/8	0.065	A4TXV01
	E*1P29-1	13.00	11.00	28,400	21750	1000	3/4	3/8	3/4	3/8	3/4	3/8	0.065	A4TXV01
	E*1P30-1	13.00	11.00	28,000	21000	1000	3/4	3/8	3/4	3/8	3/4	3/8	0.065	A4TXV01
	E*1P36-1	13.00	11.00	29,000	21750	1000	3/4	3/8	3/4	3/8	3/4	3/8	0.065	A4TXV01
	E*1P43-1	13.00	11.00	29,000	21750	1000	3/4	3/8	3/4	3/8	3/4	3/8	0.065	A4TXV01
4AC13*36P-3	E*1P36-1	13.00	11.00	34,000	26180	1200	7/8	3/8	7/8	3/8	7/8	3/8	0.070	A4TXV01
	E*1P43-1	13.00	11.00	34,000	26180	1200	7/8	3/8	7/8	3/8	7/8	3/8	0.070	A4TXV01
4AC13*42P-3	E*1P43	13.00	10.90	40,000	29200	1400	7/8	3/8	7/8	3/8	7/8	3/8	0.076	A4TXV02
	E*1P49	13.00	11.00	40,000	29930	1400	7/8	3/8	7/8	3/8	7/8	3/8	0.076	A4TXV02
	E*1P50	13.00	11.00	40,000	29200	1400	7/8	3/8	7/8	3/8	7/8	3/8	0.076	A4TXV02
4AC13*48P-3	E*1P49	13.00	11.00	48,000	34080	1600	7/8	3/8	7/8	3/8	7/8	3/8	0.086	A4TXV02
	E*1P50	13.00	11.00	47,000	33370	1600	7/8	3/8	7/8	3/8	7/8	3/8	0.086	A4TXV02
	E*1P62D	13.00	11.00	47,000	34080	1600	7/8	3/8	7/8	3/8	7/8	3/8	0.086	A4TXV02
	E*1P62C	13.00	11.00	47,000	34080	1600	7/8	3/8	7/8	3/8	7/8	3/8	0.086	A4TXV02
4AC13*60P-3	E*1P49	13.00	11.00	59,000	41300	1800	1-1/8	3/8	7/8	3/8	1-1/8	3/8	0.090	A4TXV02
	E*1P62C	13.00	11.00	59,000	42000	1800	1-1/8	3/8	7/8	3/8	1 1/8	3/8	0.090	A4TXV02

¹Certified in accordance with Unitary Air Conditioner Certification Program, which is based on AHRI Standard 210/240.

* = B or L B = Wire Guard
L = Louvered

²Required to achieve AHRI rating.

Cooling Performance with Air Handlers and Furnaces 18, 24

Outdoor Model	Indoor Model			SEER	EER	Rated AHRI Capacity ¹	Rated Sensible Capacity	CFM	Refrigerant Connection				Refrigerant Line Size		Indoor Metering Device	
	Piston or Field Installed TXV	Factory Installed TXV	Furnace						Outdoor		Indoor		Suction	Liquid	Req'd Indoor Orifice ²	Optional Field Installed TXV
									Suction	Liquid	Suction	Liquid				
4AC13* 18P-4	RBCS2M18	Not rated with TXV		13.00	11.00	18,000	13680	650	3/4	3/8	3/4	3/8	3/4	3/8	0.051	Not Applicable
	BCS2M18			13.00	11.00	18,000	13680	650	3/4	3/8	3/4	3/8	3/4	3/8	0.051	
	RBCS2M24V			14.00	12.00	18,000	13680	650	3/4	3/8	3/4	3/8	3/4	3/8	0.051	
	BCS2M24V			14.00	12.00	18,000	13680	650	3/4	3/8	3/4	3/8	3/4	3/8	0.051	
	E*1P23-1		CG95***V12B	13.50	11.50	18,000	13680	650	3/4	3/8	3/4	3/8	3/4	3/8	0.051	
	E*1P23-1		CG80***V12B	13.50	11.50	18,000	13680	650	3/4	3/8	3/4	3/8	3/4	3/8	0.051	
	E*1P24-1		CG95***V12B	14.00	11.50	18,000	13680	650	3/4	3/8	3/4	3/8	3/4	3/8	0.051	
	E*1P24-1		CG80***V12B	14.00	11.50	18,000	13680	650	3/4	3/8	3/4	3/8	3/4	3/8	0.051	
	E*1P29-1		CG95***V12B	14.00	11.50	18,000	13680	650	3/4	3/8	3/4	3/8	3/4	3/8	0.051	
	E*1P29-1		CG80***V12B	14.00	11.50	18,000	13680	650	3/4	3/8	3/4	3/8	3/4	3/8	0.051	
4AC13* 24P-3 (Continued on next page)	RBCS2M24			13.00	11.00	23,000	17480	800	3/4	3/8	3/4	3/8	3/4	3/8	0.057	A4TXV01
	BCS2M24	BCS2M24****T		13.00	11.00	23,000	17480	800	3/4	3/8	3/4	3/8	3/4	3/8	0.057	A4TXV01
	RBCS2M24V			14.00	12.00	23,000	17480	800	3/4	3/8	3/4	3/8	3/4	3/8	0.057	A4TXV01
	BCS2M24V			14.00	12.00	23,000	17480	800	3/4	3/8	3/4	3/8	3/4	3/8	0.057	A4TXV01
	E*1P19-1		CG95***V12B	14.00	12.00	23,000	17480	800	3/4	3/8	3/4	3/8	3/4	3/8	0.057	A4TXV01
	E*1P19-1		CG95***V14B	14.00	11.50	23,000	17480	800	3/4	3/8	3/4	3/8	3/4	3/8	0.057	A4TXV01
	E*1P19-1		CG80***V12B	14.00	12.00	23,000	17480	800	3/4	3/8	3/4	3/8	3/4	3/8	0.057	A4TXV01
	E*1P19-1		CG80***V14B	13.50	11.50	23,000	17480	800	3/4	3/8	3/4	3/8	3/4	3/8	0.057	A4TXV01
	E*1P23-1		CG95***V12B	14.00	12.00	23,000	17480	800	3/4	3/8	3/4	3/8	3/4	3/8	0.057	A4TXV01
	E*1P23-1		CG95***V14B	14.00	11.50	23,000	17480	800	3/4	3/8	3/4	3/8	3/4	3/8	0.057	A4TXV01
	E*1P23-1		CG80***V12B	14.00	12.00	23,000	17480	800	3/4	3/8	3/4	3/8	3/4	3/8	0.057	A4TXV01
	E*1P23-1		CG80***V14B	13.50	11.50	23,000	17480	800	3/4	3/8	3/4	3/8	3/4	3/8	0.057	A4TXV01
	E*1P24-1		CG95***V12B	14.00	12.00	23,000	17480	800	3/4	3/8	3/4	3/8	3/4	3/8	0.057	A4TXV01
	E*1P24-1		CG95***V14B	14.00	11.50	23,000	17480	800	3/4	3/8	3/4	3/8	3/4	3/8	0.057	A4TXV01
E*1P24-1		CG80***V12B	14.00	12.00	23,000	17480	800	3/4	3/8	3/4	3/8	3/4	3/8	0.057	A4TXV01	

¹Certified in accordance with Unitary Air Conditioner Certification Program, which is based on AHRI Standard 210/240.

²Required to achieve AHRI rating.

A blower time delay is required to achieve AHRI rating. This feature is standard on all Allied Air Enterprises furnace and air handler products.

* = B or L B = Wire Guard
L = Louvered

Cooling Performance with Air Handlers and Furnaces 24, 30

Outdoor Model	Indoor Model			SEER	EER	Rated AHRI Capacity ¹	Rated Sensible Capacity	CFM	Refrigerant Connection				Refrigerant Line Size		Indoor Metering Device	
	Piston or Field Installed TXV	Factory Installed TXV	Furnace						Outdoor		Indoor		Suction	Liquid	Req'd Indoor Orifice ²	Optional Field Installed TXV
									Suction	Liquid	Suction	Liquid				
(Continued from previous page) 4AC13* 24P-3	E*1P24-1		CG80***V14B	13.50	11.50	23,000	17480	800	3/4	3/8	3/4	3/8	3/4	3/8	0.057	A4TXV01
	E*1P29-1		CG95***V12B	14.00	12.00	23,000	17480	800	3/4	3/8	3/4	3/8	3/4	3/8	0.057	A4TXV01
	E*1P29-1		CG95***V14B	14.00	11.50	23,000	17480	800	3/4	3/8	3/4	3/8	3/4	3/8	0.057	A4TXV01
	E*1P29-1		CG80***V12B	14.00	12.00	23,000	17480	800	3/4	3/8	3/4	3/8	3/4	3/8	0.057	A4TXV01
	E*1P29-1		CG80***V14B	13.50	11.50	23,000	17480	800	3/4	3/8	3/4	3/8	3/4	3/8	0.057	A4TXV01
	E*1P30-1		CG95***V12B	14.00	12.00	23,000	17480	800	3/4	3/8	3/4	3/8	3/4	3/8	0.057	A4TXV01
	E*1P30-1		CG95***V14B	14.00	11.50	23,000	17480	800	3/4	3/8	3/4	3/8	3/4	3/8	0.057	A4TXV01
	E*1P30-1		CG80***V12B	14.00	12.00	23,000	17480	800	3/4	3/8	3/4	3/8	3/4	3/8	0.057	A4TXV01
	E*1P30-1		CG80***V14B	13.50	11.50	23,000	17480	800	3/4	3/8	3/4	3/8	3/4	3/8	0.057	A4TXV01
	E*1P36-1		CG95***V12B	14.00	12.00	23,000	17480	800	3/4	3/8	3/4	3/8	3/4	3/8	0.057	A4TXV01
	E*1P36-1		CG95***V14B	14.00	11.50	23,000	17480	800	3/4	3/8	3/4	3/8	3/4	3/8	0.057	A4TXV01
	E*1P36-1		CG80***V12B	14.00	12.00	23,000	17480	800	3/4	3/8	3/4	3/8	3/4	3/8	0.057	A4TXV01
	E*1P36-1+TDR		CG80***V14B	13.50	11.50	23,000	17480	800	3/4	3/8	3/4	3/8	3/4	3/8	0.057	A4TXV01
(Continued on next page) 4AC13* 30P-3	RBCS2M30			13.00	11.00	29,000	21750	1000	3/4	3/8	3/4	3/8	3/4	3/8	0.065	A4TXV01
	BCS2M30	BCS2M18****T		13.00	11.00	29,000	21750	1000	3/4	3/8	3/4	3/8	3/4	3/8	0.065	A4TXV01
	RBCS2M36V			14.00	12.00	29,000	21750	1000	3/4	3/8	3/4	3/8	3/4	3/8	0.065	A4TXV01
	BCS2M36V			14.00	12.00	29,000	21750	1000	3/4	3/8	3/4	3/8	3/4	3/8	0.065	A4TXV01
	E*1P23-1		CG95***V12B	14.00	12.00	29,000	21750	1000	3/4	3/8	3/4	3/8	3/4	3/8	0.065	A4TXV01
	E*1P23-1		CG95***V14B	13.50	11.50	29,000	21750	1000	3/4	3/8	3/4	3/8	3/4	3/8	0.065	A4TXV01
	E*1P23-1		CG95***V16C	13.50	11.50	29,000	21750	1000	3/4	3/8	3/4	3/8	3/4	3/8	0.065	A4TXV01
	E*1P23-1		CG80***V12B	13.50	11.50	29,000	21750	1000	3/4	3/8	3/4	3/8	3/4	3/8	0.065	A4TXV01
	E*1P23-1		CG80***V14B	14.00	11.50	29,000	21750	1000	3/4	3/8	3/4	3/8	3/4	3/8	0.065	A4TXV01
	E*1P29-1		CG95***V12B	14.00	12.00	29,000	21750	1000	3/4	3/8	3/4	3/8	3/4	3/8	0.065	A4TXV01
	E*1P29-1		CG95***V14B	13.50	11.50	29,000	21750	1000	3/4	3/8	3/4	3/8	3/4	3/8	0.065	A4TXV01
	E*1P29-1		CG95***V16C	13.50	11.50	29,000	21750	1000	3/4	3/8	3/4	3/8	3/4	3/8	0.065	A4TXV01
	E*1P29-1		CG80***V12B	13.50	11.50	29,000	21750	1000	3/4	3/8	3/4	3/8	3/4	3/8	0.065	A4TXV01
E*1P29-1		CG80***V14B	14.00	11.50	29,000	21750	1000	3/4	3/8	3/4	3/8	3/4	3/8	0.065	A4TXV01	

¹Certified in accordance with Unitary Air Conditioner Certification Program, which is based on AHRI Standard 210/240.

²Required to achieve AHRI rating.

A blower time delay is required to achieve AHRI rating. This feature is standard on all Allied Air Enterprises furnace and air handler products.

* = B or L B = Wire Guard
L = Louvered

Cooling Performance with Air Handlers and Furnaces 30

Outdoor Model	Indoor Model			SEER	EER	Rated AHRI Capacity ¹	Rated Sensible Capacity	CFM	Refrigerant Connection				Refrigerant Line Size		Indoor Metering Device	
	Piston or Field Installed TXV	Factory Installed TXV	Furnace						Outdoor		Indoor		Suction	Liquid	Req'd Indoor Orifice ²	Optional Field Installed TXV
									Suction	Liquid	Suction	Liquid				
(Continued from previous page) 4AC13* 30P-3	E*1P30-1		CG95***V12B	14.00	12.00	29,000	21750	1000	3/4	3/8	3/4	3/8	3/4	3/8	0.065	A4TXV01
	E*1P30-1		CG95***V14B	13.50	11.50	29,000	21750	1000	3/4	3/8	3/4	3/8	3/4	3/8	0.065	A4TXV01
	E*1P30-1		CG95***V16C	13.50	11.50	29,000	21750	1000	3/4	3/8	3/4	3/8	3/4	3/8	0.065	A4TXV01
	E*1P30-1		CG80***V12B	13.50	11.50	29,000	21750	1000	3/4	3/8	3/4	3/8	3/4	3/8	0.065	A4TXV01
	E*1P30-1		CG80***V14B	14.00	11.50	29,000	21750	1000	3/4	3/8	3/4	3/8	3/4	3/8	0.065	A4TXV01
	E*1P36-1		CG95***V12B	14.00	12.00	29,000	21750	1000	3/4	3/8	3/4	3/8	3/4	3/8	0.065	A4TXV01
	E*1P36-1		CG95***V14B	13.50	11.50	29,000	21750	1000	3/4	3/8	3/4	3/8	3/4	3/8	0.065	A4TXV01
	E*1P36-1		CG95***V16C	13.50	11.50	29,000	21750	1000	3/4	3/8	3/4	3/8	3/4	3/8	0.065	A4TXV01
	E*1P36-1		CG80***V12B	13.50	11.50	29,000	21750	1000	3/4	3/8	3/4	3/8	3/4	3/8	0.065	A4TXV01
	E*1P36-1		CG80***V14B	14.00	11.50	29,000	21750	1000	3/4	3/8	3/4	3/8	3/4	3/8	0.065	A4TXV01
	E*1P43-1		CG95***V12B	14.00	12.00	29,000	21750	1000	3/4	3/8	3/4	3/8	3/4	3/8	0.065	A4TXV01
	E*1P43-1		CG95***V14B	13.50	11.50	29,000	21750	1000	3/4	3/8	3/4	3/8	3/4	3/8	0.065	A4TXV01
	E*1P43-1		CG95***V16C	13.50	11.50	29,000	21750	1000	3/4	3/8	3/4	3/8	3/4	3/8	0.065	A4TXV01
	E*1P43-1		CG80***V12B	13.50	11.50	29,000	21750	1000	3/4	3/8	3/4	3/8	3/4	3/8	0.065	A4TXV01
	E*1P43-1		CG80***V14B	14.00	11.50	29,000	21750	1000	3/4	3/8	3/4	3/8	3/4	3/8	0.065	A4TXV01

¹Certified in accordance with Unitary Air Conditioner Certification Program, which is based on AHRI Standard 210/240.

²Required to achieve AHRI rating.

A blower time delay is required to achieve AHRI rating. This feature is standard on all Allied Air Enterprises furnace and air handler products.

* = B or L B = Wire Guard
L = Louvered

Cooling Performance with Air Handlers and Furnaces 36

Outdoor Model	Indoor Model			SEER	EER	Rated AHRI Capacity ¹	Rated Sensible Capacity	CFM	Refrigerant Connection				Refrigerant Line Size		Indoor Metering Device	
	Piston or Field Installed TXV	Factory Installed TXV	Furnace						Outdoor		Indoor		Suction	Liquid	Req'd Indoor Orifice ²	Optional Field Installed TXV
									Suction	Liquid	Suction	Liquid				
4AC13* 36P-3	RBCS2M36			13.00	11.00	34,000	26180	1200	7/8	3/8	7/8	3/8	7/8	3/8	0.070	A4TXV01
	BCS2M36	BCS2M36****T		13.00	11.00	34,000	26180	1200	7/8	3/8	7/8	3/8	7/8	3/8	0.070	A4TXV01
	RBCS2M36V			13.50	11.50	34,000	26180	1200	7/8	3/8	7/8	3/8	7/8	3/8	0.070	A4TXV01
	BCS2M36V			13.50	11.50	34,000	26180	1200	7/8	3/8	7/8	3/8	7/8	3/8	0.070	A4TXV01
	E*1P36B,C-1		CG95***V12B	13.50	11.50	34,000	26180	1200	7/8	3/8	7/8	3/8	7/8	3/8	0.070	A4TXV01
	E*1P36B,C-1		CG95***V16C	13.50	11.50	34,000	26180	1200	7/8	3/8	7/8	3/8	7/8	3/8	0.070	A4TXV01
	E*1P36B,C-1		CG95***V20C	13.50	11.50	34,000	26180	1200	7/8	3/8	7/8	3/8	7/8	3/8	0.070	A4TXV01
	E*1P36B,C-1		CG80***V12B	13.50	11.00	34,000	26180	1200	7/8	3/8	7/8	3/8	7/8	3/8	0.070	A4TXV01
	E*1P36B,C-1		CG80***V14B	13.50	11.50	34,000	26180	1200	7/8	3/8	7/8	3/8	7/8	3/8	0.070	A4TXV01
	E*1P36B,C-1		CG80***V20C	13.50	11.50	34,000	26180	1200	7/8	3/8	7/8	3/8	7/8	3/8	0.070	A4TXV01
	E*1P36B,C-1		CG80***V20D	13.50	11.50	34,000	26180	1200	7/8	3/8	7/8	3/8	7/8	3/8	0.070	A4TXV01
	E*1P43B,C-1		CG95***V12B	13.50	11.50	34,000	26180	1200	7/8	3/8	7/8	3/8	7/8	3/8	0.070	A4TXV01
	E*1P43B,C-1		CG95***V16C	13.50	11.50	34,000	26180	1200	7/8	3/8	7/8	3/8	7/8	3/8	0.070	A4TXV01
	E*1P43B,C-1		CG95***V20C	13.50	11.50	34,000	26180	1200	7/8	3/8	7/8	3/8	7/8	3/8	0.070	A4TXV01
	E*1P43B,C-1		CG80***V12B	13.50	11.00	34,000	26180	1200	7/8	3/8	7/8	3/8	7/8	3/8	0.070	A4TXV01
	E*1P43B,C-1		CG80***V14B	13.50	11.50	34,000	26180	1200	7/8	3/8	7/8	3/8	7/8	3/8	0.070	A4TXV01
	E*1P43B,C-1		CG80***V20C	13.50	11.50	34,000	26180	1200	7/8	3/8	7/8	3/8	7/8	3/8	0.070	A4TXV01
	E*1P43B,C-1		CG80***V20D	13.50	11.50	34,000	26180	1200	7/8	3/8	7/8	3/8	7/8	3/8	0.070	A4TXV01
	E*1P50C-1		CG95***V12B	13.50	11.50	34,000	26180	1200	7/8	3/8	7/8	3/8	7/8	3/8	0.070	A4TXV01
	E*1P50C-1		CG95***V16C	13.50	11.50	34,000	26180	1200	7/8	3/8	7/8	3/8	7/8	3/8	0.070	A4TXV01
	E*1P50C-1		CG95***V20C	13.50	11.50	34,000	26180	1200	7/8	3/8	7/8	3/8	7/8	3/8	0.070	A4TXV01
	E*1P50C-1		CG80***V12B	13.50	11.00	34,000	26180	1200	7/8	3/8	7/8	3/8	7/8	3/8	0.070	A4TXV01
	E*1P50C-1		CG80***V14B	13.50	11.50	34,000	26180	1200	7/8	3/8	7/8	3/8	7/8	3/8	0.070	A4TXV01
	E*1P50C-1		CG80***V20C	13.50	11.50	34,000	26180	1200	7/8	3/8	7/8	3/8	7/8	3/8	0.070	A4TXV01
	E*1P50C-1		CG80***V20D	13.50	11.50	34,000	26180	1200	7/8	3/8	7/8	3/8	7/8	3/8	0.070	A4TXV01

¹Certified in accordance with Unitary Air Conditioner Certification Program, which is based on AHRI Standard 210/240.

²Required to achieve AHRI rating.

A blower time delay is required to achieve AHRI rating. This feature is standard on all Allied Air Enterprises furnace and air handler products.

* = B or L B = Wire Guard
L = Louvered

Cooling Performance with Air Handlers and Furnaces 42, 48, 60

Outdoor Model	Indoor Model			SEER	EER	Rated AHRI Capacity ¹	Rated Sensible Capacity	CFM	Refrigerant Connection				Refrigerant Line Size		Indoor Metering Device	
	Piston or Field Installed TXV	Factory Installed TXV	Furnace						Outdoor		Indoor		Suction	Liquid	Req'd Indoor Orifice ²	Optional Field Installed TXV
									Suction	Liquid	Suction	Liquid				
4AC13* 42P-3	RBCS2M42			13.00	11.00	40,000	29200	1400	7/8	3/8	7/8	3/8	7/8	3/8	0.076	A4TXV02
	BCS2M42	BCS2M42****T		13.00	11.00	40,000	29200	1400	7/8	3/8	7/8	3/8	7/8	3/8	0.076	A4TXV02
	RBCS2M42V			13.50	11.50	40,000	29200	1400	7/8	3/8	7/8	3/8	7/8	3/8	0.076	A4TXV02
	BCS2M42V			13.50	11.50	40,000	29200	1400	7/8	3/8	7/8	3/8	7/8	3/8	0.076	A4TXV02
	E*1P43B,C		CG80***V20C	13.50	11.50	40,000	29200	1400	7/8	3/8	7/8	3/8	7/8	3/8	0.076	A4TXV02
	E*1P43B,C		CG80***V20D	13.50	11.50	40,000	29200	1400	7/8	3/8	7/8	3/8	7/8	3/8	0.076	A4TXV02
	E*1P49C		CG80***V20C	13.50	11.50	40,000	29200	1400	7/8	3/8	7/8	3/8	7/8	3/8	0.076	A4TXV02
	E*1P49C		CG80***V20D	13.50	11.50	40,000	29200	1400	7/8	3/8	7/8	3/8	7/8	3/8	0.076	A4TXV02
	E*1P50C		CG80***V20C	13.50	11.50	40,000	29200	1400	7/8	3/8	7/8	3/8	7/8	3/8	0.076	A4TXV02
	E*1P50C		CG80***V20D	13.50	11.50	40,000	29200	1400	7/8	3/8	7/8	3/8	7/8	3/8	0.076	A4TXV02
4AC13* 48P-3	RBCS2M48			13.00	11.00	47,000	34080	1600	7/8	3/8	7/8	3/8	7/8	3/8	0.086	A4TXV02
	BCS2M48	BCS2M48****T		13.00	11.00	47,000	34080	1600	7/8	3/8	7/8	3/8	7/8	3/8	0.086	A4TXV02
	RBCS2M48V			13.50	11.50	47,000	34080	1600	7/8	3/8	7/8	3/8	7/8	3/8	0.086	A4TXV02
	BCS2M48V			13.50	11.50	47,000	34080	1600	7/8	3/8	7/8	3/8	7/8	3/8	0.086	A4TXV02
4AC13* 60P-3	RBCS2M60			13.00	11.00	59,000	42000	1800	1-1/8	3/8	7/8	3/8	1-1/8	3/8	0.090	A4TXV02
	BCS2M60	BCS2M60****T		13.00	11.00	59,000	42000	1800	1-1/8	3/8	7/8	3/8	1-1/8	3/8	0.090	A4TXV02
	RBCS2M60V			13.50	11.50	59,000	42000	1800	1-1/8	3/8	7/8	3/8	1-1/8	3/8	0.090	A4TXV02
	BCS2M60V			13.50	11.50	59,000	42000	1800	1-1/8	3/8	7/8	3/8	1-1/8	3/8	0.090	A4TXV02

¹Certified in accordance with Unitary Air Conditioner Certification Program, which is based on AHRI Standard 210/240.

²Required to achieve AHRI rating.

A blower time delay is required to achieve AHRI rating. This feature is standard on all Allied Air Enterprises furnace and air handler products.

* = B or L B = Wire Guard
 L = Louvered

Cooling Performance with Air Handlers and Furnaces

Outdoor Model	Indoor Model		SEER	EER	AHRI Rated Capacity ¹ BTUH	Sensible Rated Capacity	CFM	Refrigerant Connection				Refrigerant Line Size		Indoor Expansion Device	
	Evaporator Coil or Air Handler ³	Vairable Speed Furnace						Outdoor		Indoor		Suction	Liquid	Piston ²	TXV
								Suction	Liquid	Suction	Liquid				
4AC13*18P-4	E(C,H,M,U)1P23A	80G2UH070AV12	14.00	12.00	17,600	13,400	650	3/4	3/8	3/4	3/8	3/4	3/8	0.051	A4TXV01
	E(C,H,M,U)1P29A	80G2UH070AV12	14.00	12.00	17,600	13,400	650	3/4	3/8	3/4	3/8	3/4	3/8	0.051	A4TXV01
	E(C,M,U)1P19A	80G2UH070AV12	13.50	11.50	17,600	13,400	650	3/4	3/8	3/4	3/8	3/4	3/8	0.051	A4TXV01
	E(C,M,U)1P24A	80G2UH070AV12	13.50	11.50	17,600	13,400	650	3/4	3/8	3/4	3/8	3/4	3/8	0.051	A4TXV01
4AC13*24P-3	E(C,M,U)1P19A	80G2UH070AV12	14.00	11.50	22,600	17,200	800	3/4	3/8	3/4	3/8	3/4	3/8	0.057	A4TXV01
	E(C,H,M,U)1P23A	80G2UH070AV12	14.00	12.00	22,800	17,300	800	3/4	3/8	3/4	3/8	3/4	3/8	0.057	A4TXV01
	E(C,M,U)1P24A	80G2UH070AV12	14.00	12.00	22,800	17,300	800	3/4	3/8	3/4	3/8	3/4	3/8	0.057	A4TXV01
	E(C,H,M,U)1P29A	80G2UH070AV12	14.00	12.00	22,800	17,300	800	3/4	3/8	3/4	3/8	3/4	3/8	0.057	A4TXV01
	E(C,M,U)1P30A	80G2UH070AV12	14.00	12.00	22,800	17,300	800	3/4	3/8	3/4	3/8	3/4	3/8	0.057	A4TXV01
	E(C,H,M,U)1P36A	80G2UH070AV12	14.00	12.00	22,800	17,300	800	3/4	3/8	3/4	3/8	3/4	3/8	0.057	A4TXV01
4AC13*30P-3	E(C,H,M,U)1P23A	80G2UH070AV12	13.50	11.50	28,000	21,000	1000	3/4	3/8	3/4	3/8	3/4	3/8	0.065	A4TXV01
	E(C,H,M,U)1P29A	80G2UH070AV12	13.50	11.50	28,000	21,000	1000	3/4	3/8	3/4	3/8	3/4	3/8	0.065	A4TXV01
	E(C,M,U)1P30A	80G2UH070AV12	13.50	11.50	28,000	21,000	1000	3/4	3/8	3/4	3/8	3/4	3/8	0.065	A4TXV01
	E(C,H,M,U)1P36A	80G2UH070AV12	13.50	11.50	28,000	21,000	1000	3/4	3/8	3/4	3/8	3/4	3/8	0.065	A4TXV01
4AC13*36P-3	E(C,H,M,U)1P36B	80G2UH090BV16	13.50	11.00	34,000	26,200	1200	7/8	3/8	7/8	3/8	7/8	3/8	0.070	A4TXV01
	E(C,H,M,U)1P43B	80G2UH090BV16	13.50	11.00	34,000	26,200	1200	7/8	3/8	7/8	3/8	7/8	3/8	0.070	A4TXV01
	E(C,M,U)1P50C	80G2UH110CV20	13.50	11.00	34,000	26,200	1200	7/8	3/8	7/8	3/8	7/8	3/8	0.070	A4TXV01
4AC13*42P-3	E(C,H,U)1P49C	80G2UH110CV20	13.50	11.00	40,000	29,200	1400	7/8	3/8	7/8	3/8	7/8	3/8	0.076	A4TXV02
	E(C,M,U)1P50C	80G2UH110CV20	13.50	11.50	40,000	29,200	1400	7/8	3/8	7/8	3/8	7/8	3/8	0.076	A4TXV02
4AC13*48P-3	E(C,M,U)1P50C	80G2UH110CV20	13.50	11.50	47,000	33,400	1600	7/8	3/8	7/8	3/8	7/8	3/8	0.086	A4TXV02
	E(C,H,U)1P49C	80G2UH110CV20	13.50	11.50	47,000	33,400	1600	7/8	3/8	7/8	3/8	7/8	3/8	0.086	A4TXV02
	E(C,H,U)1P62C	80G2UH110CV20	13.50	11.50	47,000	33,400	1600	7/8	3/8	7/8	3/8	7/8	3/8	0.086	A4TXV02

Note:

- 1 Certified in accordance with Unitary Air Conditioner Certification Program, which is based on AHRI Standard 210/240.
- 2 Required to achieve AHRI rating. If NA (Not Applicable) is in the piston column, then TXV is required.
- 3 A blower time delay relay is standard on all Allied Air Enterprises furnaces and AH products.

* = B or L B = Wire Guard
L = Louvered

Cooling Performance — Extended Ratings

Outdoor Model	Indoor Model	Indoor Temp DB/WB °F	Outdoor Temp - DB°F														
			65			82			95			105			115		
			Btuh	S/T	kW	Btuh	S/T	kW	Btuh	S/T	kW	Btuh	S/T	kW	Btuh	S/T	kW
4AC13*18P-4	E*1P19	85/72	19,900	0.67	1.49	19,000	0.71	1.61	18,500	0.74	1.71	17,400	0.76	1.78	16,300	0.77	1.38
		80/67	18,800	0.69	1.38	18,300	0.73	1.74	18,000	0.76	1.64	16,700	0.78	2.19	15,300	0.80	1.33
		75/63	17,400	0.74	1.33	16,900	0.78	1.47	16,700	0.81	1.58	15,500	0.83	1.65	14,200	0.85	1.28
		75/57	16,400	0.63	1.30	16,100	0.88	1.44	16,000	0.91	1.55	14,900	0.93	1.61	13,600	0.95	1.25
4AC13*24P-3	E*1P24	85/72	23,200	0.65	1.66	23,100	0.70	1.90	23,100	0.74	2.08	22,300	0.76	2.20	21,400	0.77	1.90
		80/67	22,900	0.69	1.65	23,000	0.73	2.03	23,000	0.76	2.06	21,700	0.79	2.51	20,300	0.81	1.69
		75/63	22,700	0.74	1.65	22,000	0.78	1.84	21,400	0.81	1.99	20,100	0.83	2.06	18,800	0.85	1.76
		75/57	22,300	0.83	1.64	21,500	0.88	1.82	20,800	0.91	1.95	19,500	0.93	2.02	18,200	0.95	1.72
4AC13*30P-3	E*1P30	85/72	31,900	0.66	2.14	30,700	0.70	2.46	29,700	0.73	2.72	27,900	0.75	2.81	26,200	0.76	3.02
		80/67	30,100	0.68	2.12	28,900	0.72	2.03	28,000	0.75	2.61	26,300	0.77	2.51	24,700	0.78	2.91
		75/63	27,900	0.79	2.11	26,800	0.80	2.34	25,900	0.80	2.51	24,300	0.82	2.60	22,800	0.84	2.80
		75/57	27,100	0.82	2.07	26,000	0.87	2.29	25,100	0.90	2.46	23,600	0.92	2.55	22,200	0.94	2.74
4AC13*36P-3	E*1P36	85/72	39,400	0.62	5.68	36,600	0.74	3.77	34,400	0.84	3.27	33,300	0.78	4.47	32,200	0.71	4.65
		80/67	37,200	0.64	4.25	35,400	0.67	3.19	34,000	0.70	3.24	32,200	0.72	3.94	30,400	0.73	4.47
		75/63	34,400	0.68	3.96	33,000	0.72	3.56	32,000	0.75	3.13	30,100	0.77	4.18	28,200	0.78	4.30
		75/57	33,400	0.76	4.03	32,100	0.81	3.49	31,000	0.84	3.06	29,300	0.86	4.10	27,400	0.88	4.23
4AC13*42P-3	E*1P43	85/72	46,800	0.65	1.66	44,900	0.68	2.91	43,500	0.71	3.86	41,000	0.73	4.02	38,500	0.74	6.17
		80/67	44,500	0.67	1.65	42,500	0.70	2.03	41,000	0.73	3.73	39,600	0.75	2.51	38,200	0.77	6.13
		75/63	44,200	0.68	1.65	40,600	0.74	2.75	37,900	0.78	3.59	35,600	0.80	3.72	33,400	0.82	5.71
		75/57	40,800	0.71	1.64	38,600	0.80	2.70	36,800	0.87	3.51	34,600	0.89	3.64	32,400	0.91	5.60
4AC13*48P-3	E*1P50	85/72	54,700	0.63	3.84	52,500	0.66	4.27	50,900	0.69	4.61	47,900	0.71	4.79	44,700	0.72	4.77
		80/67	51,500	0.65	3.70	49,500	0.68	4.11	48,000	0.71	4.43	45,100	0.73	4.60	42,100	0.74	4.59
		75/63	47,800	0.69	3.56	45,900	0.73	3.95	44,500	0.76	4.28	41,800	0.77	4.42	39,000	0.78	4.41
		75/57	46,400	0.77	3.49	44,500	0.82	3.87	43,200	0.85	4.17	40,600	0.87	4.33	38,000	0.89	4.32
4AC13*60P-3	E*1P49	85/72	66,200	0.62	4.81	63,600	0.65	5.37	61,600	0.68	5.80	57,900	0.70	6.04	54,100	0.71	6.04
		80/67	62,400	0.64	4.02	59,900	0.67	5.16	58,000	0.70	5.57	54,500	0.72	5.79	51,000	0.73	5.76
		75/63	57,700	0.68	4.46	55,500	0.72	4.96	53,800	0.75	5.35	50,500	0.77	5.56	47,300	0.78	5.56
		75/57	56,100	0.76	4.36	53,000	0.81	4.86	52,200	0.84	5.24	49,000	0.86	5.44	45,900	0.88	5.43

Note: Extended data shown is actual for models listed and typical for all AHRI matches.

* = B or L B = Wire Guard
L = Louvered

Accessories

Description	Where Used	Catalog Number
Crankcase Heater	18, 24, 30, 36	93M04
Crankcase Heater	42, 48, 60	93M05
Hard Start Kit	18	10J42
Hard Start kit	24, 30, 36, 42, 48, 60	88M91
Compressor Low Ambient Kit	18, 24, 30, 36, 42, 48, 60	45F08
Sound Blanket	18, 24, 30, 36, 42, 48, 60	69J03
Short Cycle Protector	18, 24, 30, 36, 42, 48, 60	47J27
Freezestat	3/8" tubing	93G35
Freezestat	5/8" tubing	50A93
Time Delay Relay	18, 24, 30, 36, 42, 48, 60	58M81
Loss of Charge Kit	18, 24, 30, 36, 42, 48, 60	84M23

DucaneTM
**AIR CONDITIONING
AND HEATING**

www.ducanevac.com
1-800-448-5872

All specifications and illustrations
subject to change without notice
and without incurring obligations.

All specifications and illustrations
subject to change without notice
and without incurring obligations.

