

# Ducane™

## AIR CONDITIONING AND HEATING

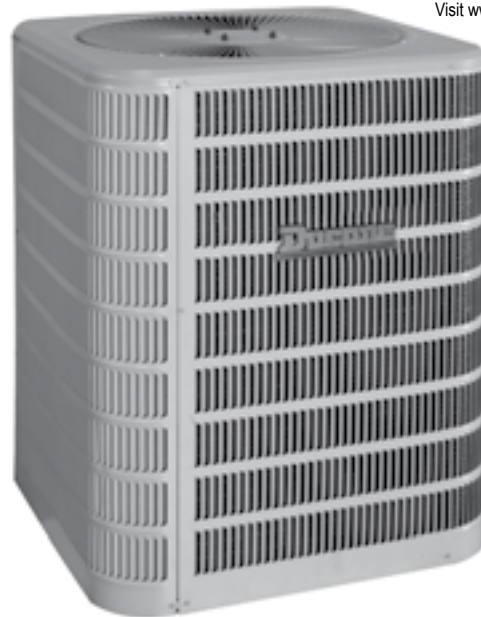
### Split System Heat Pump

14  
seer

Form No. D4HP14L-2-100 (07/2011)

## 4HP14 Features and Benefits

- R410A Refrigerant
- High-quality condenser coil with copper tubing and enhanced louvered fin for maximum heat transfer capacity
- Top discharge directs hot air and sound away from living area and shrubbery
- All units run tested
- Louvered panel coil protection
- Easy access to electrical panels, pre-wired for easy hook-up
- Bi-directional liquid line filter drier factory installed
- Discharge muffler for quiet operation
- Reliable, solid state defrost control
- Defrost control is Quiet Shift™ capable
- Low pressure switch factory installed for loss of charge protection
- Integrated control with LED diagnostics
- Short cycle protection factory installed
- All units ETL approved and AHRI Certified
- Charged for 15 feet of interconnecting tubing



Proper sizing and installation of equipment is critical to achieve optimal performance. Split system air conditioners and heat pumps must be matched with appropriate coil components to meet

ENERGY STAR® criteria. Visit [www.energystar.gov](http://www.energystar.gov) for details.

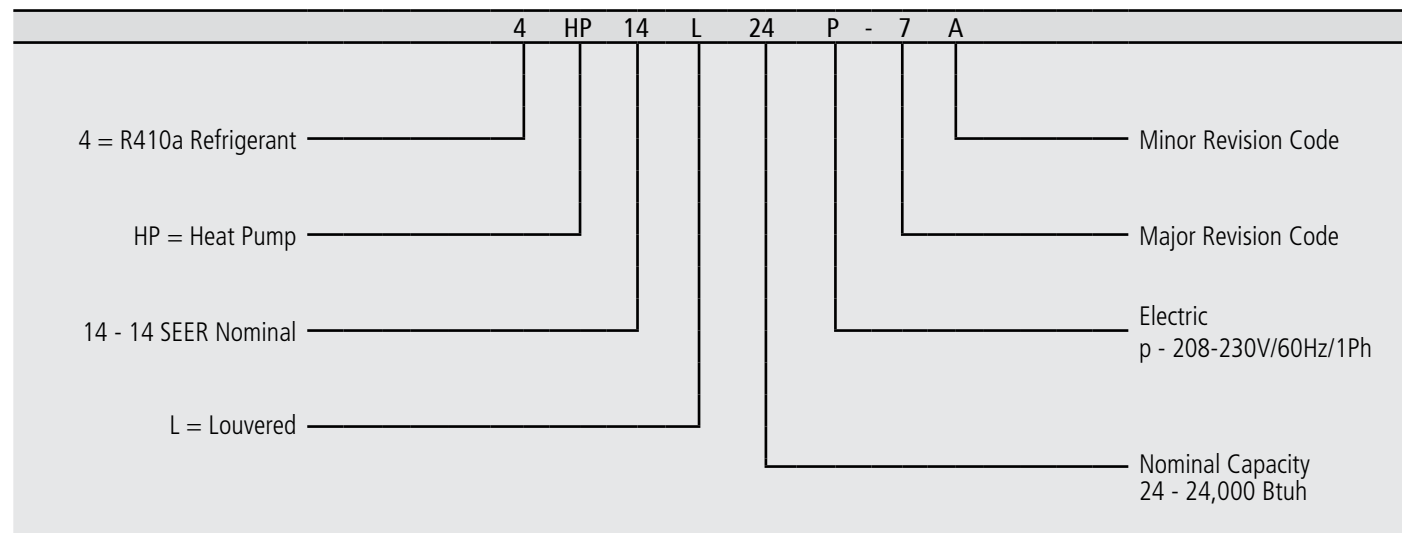


### WARRANTY

- 10 year limited warranty on compressor, 10 year limited warranty on all parts, extended warranty available\*

\*Warranty provides for a total of 10 years of limited warranty coverage (Standard 5-year limited parts warranty plus an additional 5-year limited extended parts warranty). Warranty must be registered online within 60 days of installation to qualify for 10-year coverage. Unregistered equipment defaults to 5-year coverage. Lifetime limited heat exchanger warranty applies to registered equipment only (Standard 20 years with no online registration). See full warranty at [www.alliedair.com](http://www.alliedair.com) for terms, conditions and exclusions.

### Model Number Guide



### Physical and Electrical Data

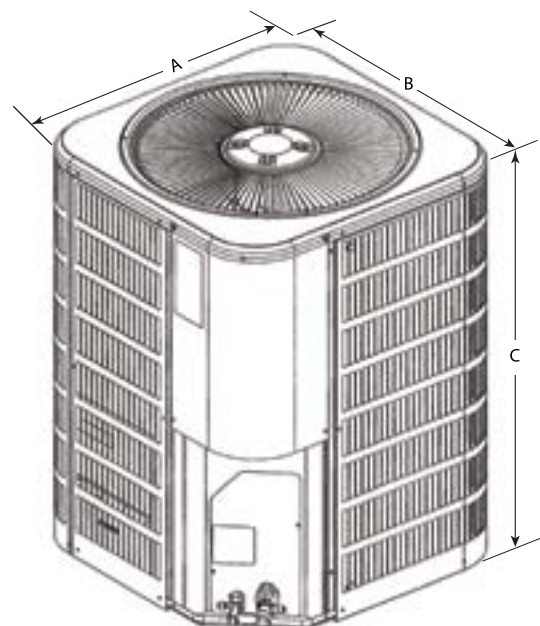
Model	Volts/Hz/Phase	Voltage Range	Min. Circuit Amp.	Max. Over-current Device (amps)	Compressor		Outdoor Fan Motor			Refrig. Charge (oz.)	Shipping Weight (lbs.)	
					Rated Load (amps)	Locked Rotor (amps)	Rated Load (amps)	Rated HP	Nom. RPM		Wire Guard	Louver
4HP14L18P-7	208-230/60/1	197-253	12.3	20	9.0	48	1.1	1/6	825	87	NA	165
4HP14L24P-7	208-230/60/1	197-253	17.9	30	13.4	58	1.1	1/6	825	108	NA	177
4HP14L30P-7	208-230/60/1	197-253	17.1	25	12.8	64	1.1	1/6	825	110	NA	178
4HP14L36P-7	208-230/60/1	197-253	18.7	30	14.1	77	1.1	1/6	825	159	NA	202
4HP14L42P-7	208-230/60/1	197-253	24.2	40	17.9	112	1.8	1/3	825	184	NA	272
4HP14L48P-7	208-230/60/1	197-253	29.0	50	21.8	117	1.8	1/3	825	232	NA	273
4HP14L60P-7	208-230/60/1	197-253	29.4	50	22.1	125	1.8	1/3	825	228	NA	297

Note:  
Weights listed are unit weights with packaging  
+ Factory charged for 15 feet of line set. Adjust per installation instructions.

### Unit Dimensions & Sound Ratings

Model	Dimensions			Sound Ratings (dBa)
	A (in.)	B (in.)	C (in.)	
4HP14L18P-7	28.25	28.25	28.50	76
4HP14L24P-7	28.25	28.25	36.50	76
4HP14L30P-7	28.25	28.25	36.50	76
4HP14L36P-7	28.25	28.25	32.50	76
4HP14L42P-7	32.25	32.25	36.50	79
4HP14L48P-7	32.25	32.25	36.50	80
4HP14L60P-7	32.25	32.25	42.50	80

Note:  
Dimensions listed are unit sizes w/o packaging



### Cooling Performance with Evaporator Coils

Outdoor Model	Indoor Model	Cooling				Heating				CFM	Refrigerant Connection				Refrigerant Line Size		Indoor Expansion Device		
		SEER	EER	AHRI Rated Capacity <sup>1</sup> BTUH	Sensible Capacity BTUH	HSPF	47		17		Outdoor		Indoor		Suction	Liquid	Piston <sup>2</sup>	TXV	
							Btuh	COP	Btuh		COP	Suction	Liquid	Suction					Liquid
4HP14L18P-7	E*1P23(A,B)	13.2	11.5	18,000	13,500	8.0	17,400	3.40	10,500	2.26	650	3/4	3/8	3/4	3/8	3/4	3/8	NA	H4TXV01
	E*1P24(A,B)	13.2	11.5	18,000	13,500	8.0	17,400	3.40	10,500	2.26	650	3/4	3/8	3/4	3/8	3/4	3/8	NA	H4TXV01
4HP14L24P-7	E*1P23(A,B)	14.0	12.0	23,400	17,100	8.0	22,000	3.40	14,000	2.30	850	3/4	3/8	3/4	3/8	3/4	3/8	NA	H4TXV01
	E*1P24(A,B)	14.0	11.5	23,400	17,100	8.2	22,000	3.40	14,000	2.30	850	3/4	3/8	3/4	3/8	3/4	3/8	NA	H4TXV01
	E*1P29(A,B)	14.0	11.5	23,400	17,100	8.2	22,000	3.40	14,000	2.30	850	3/4	3/8	3/4	3/8	3/4	3/8	NA	H4TXV01
4HP14L30P-7	E*1P29(A,B)	13.5	11.5	29,000	21,500	8.2	26,200	3.40	17,000	2.50	1050	3/4	3/8	3/4	3/8	3/4	3/8	NA	H4TXV01
	E*1P30(A,B,C)	13.2	11.5	28,000	20,700	8.2	26,200	3.40	16,000	2.30	1050	3/4	3/8	3/4	3/8	3/4	3/8	NA	H4TXV01
	E*1P36(A,B,C)	13.5	11.5	29,000	21,500	8.2	26,200	3.40	17,000	2.50	1050	3/4	3/8	3/4	3/8	3/4	3/8	NA	H4TXV01
4HP14L36P-7	E*1P36(B,C)	13.5	12.0	34,400	25,800	8.2	34,200	3.50	21,800	2.50	1250	7/8	3/8	3/4	3/8	7/8	3/8	NA	H4TXV02
	E*1P43(B,C)	13.5	11.5	34,400	25,800	8.2	34,000	3.50	21,800	2.40	1250	7/8	3/8	7/8	3/8	7/8	3/8	NA	H4TXV02
4HP14L42P-7	E*1P49C	14.0	12.0	42,000	30,700	8.2	42,000	3.50	27,800	2.40	1400	7/8	3/8	7/8	3/8	7/8	3/8	NA	H4TXV02
	E*1P62D	14.0	12.0	42,000	30,700	8.2	42,000	3.50	28,800	2.40	1400	7/8	3/8	7/8	3/8	7/8	3/8	NA	H4TXV02
4HP14L48P-7	E*1P49C	14.0	12.0	48,000	34,600	8.2	46,500	3.40	29,600	2.50	1600	7/8	3/8	7/8	3/8	7/8	3/8	NA	H4TXV02
	E*1P62D	14.0	12.0	48,000	34,600	8.2	46,500	3.40	29,600	2.50	1600	7/8	3/8	7/8	3/8	7/8	3/8	NA	H4TXV02
4HP14L60P-7	E*1P62C	14.0	12.0	58,000	42,300	8.2	55,000	3.40	36,000	2.50	1900	7/8	3/8	7/8	3/8	1 1/8	3/8	NA	H4TXV03
	E*1P62D	14.0	12.0	58,000	42,300	8.2	55,000	3.40	36,000	2.50	1900	7/8	3/8	7/8	3/8	1 1/8	3/8	NA	H4TXV03

Note:  
<sup>1</sup> Certified in accordance with Unitary Air Conditioner Certification Program, which is based on AHRI Standard 210/240  
<sup>2</sup> Required to achieve AHRI rating. If NA (Not Applicable) is in the piston column, then TXV is required.  
<sup>3</sup> A blower time delay relay is required to achieve AHRI rating. This feature is standard on all Allied Air Enterprises furnace and AH products.





Cooling Performance with Extended Ratings

Outdoor Model	Indoor Model	Indoor Temp DB/WB °F	Outdoor Temp - DB°F														
			65			82			95			105			115		
			Btuh	S/T	kW	Btuh	S/T	kW	Btuh	S/T	kW	Btuh	S/T	kW	Btuh	S/T	kW
4HP14L18P-7	BCS3M19	85/72	21,000	0.61	1.14	20,000	0.65	1.34	19,300	0.68	1.50	17,900	0.72	1.67	16,400	0.75	1.84
		80/67	19,800	0.69	1.13	18,800	0.72	1.34	18,000	0.75	1.50	16,300	0.80	1.67	14,700	0.85	1.84
		75/63	18,900	0.72	1.13	17,200	0.77	1.34	15,900	0.81	1.50	14,400	0.87	1.67	12,800	0.92	1.84
		75/57	17,200	1.00	1.11	16,700	1.00	1.31	16,000	1.00	1.47	14,500	1.00	1.64	13,100	1.00	1.80
4HP14L24P-7	BCS3M24	85/72	30,200	0.61	1.48	27,700	0.64	1.75	25,700	0.66	1.95	24,200	0.68	2.20	22,700	0.69	2.44
		80/67	27,600	0.69	1.47	25,200	0.71	1.74	23,400	0.73	1.95	22,100	0.75	2.19	20,700	0.77	2.42
		75/63	25,100	0.72	1.47	23,300	0.74	1.74	21,800	0.76	1.95	20,500	0.78	2.19	19,100	0.80	2.43
		75/57	24,000	1.00	1.44	22,400	1.00	1.71	20,800	1.00	1.91	19,700	1.00	2.15	18,400	1.00	2.37
4HP14L30P-7	BCS3M30	85/72	35,800	0.62	1.88	33,600	0.64	2.19	31,900	0.66	2.43	30,200	0.68	2.72	28,400	0.70	3.00
		80/67	33,500	0.69	1.86	31,000	0.72	2.18	29,000	0.74	2.42	27,600	0.76	2.70	26,200	0.78	2.99
		75/63	31,300	0.72	1.84	29,000	0.75	2.17	27,300	0.77	2.42	25,700	0.79	2.70	24,100	0.81	2.98
		75/57	29,100	1.00	1.82	27,600	1.00	2.14	25,800	1.00	2.37	24,600	1.00	2.65	23,300	1.00	2.93
4HP14L36P-7	BCS3M36	85/72	39,700	0.61	2.21	38,100	0.64	2.59	36,900	0.67	2.89	34,600	0.70	3.21	32,400	0.73	3.54
		80/67	37,800	0.69	2.20	36,000	0.72	2.59	34,600	0.75	2.88	31,900	0.79	3.21	29,300	0.83	3.53
		75/63	36,100	0.73	2.20	33,300	0.77	2.58	31,100	0.80	2.87	29,000	0.83	3.19	26,800	0.85	3.51
		75/57	32,900	1.00	2.16	32,000	1.00	2.54	30,800	1.00	2.82	28,400	1.00	3.15	26,100	1.00	3.46
4HP14L42P-7	BCS3M42	85/72	50,600	0.60	2.66	47,800	0.63	3.14	45,700	0.65	3.51	42,800	0.67	3.92	39,900	0.69	4.33
		80/67	48,200	0.68	2.66	44,700	0.71	3.13	42,000	0.73	3.50	39,500	0.75	3.91	37,000	0.77	4.33
		75/63	44,200	0.72	2.64	41,300	0.74	3.12	39,200	0.75	3.49	36,600	0.77	3.89	34,000	0.79	4.30
		75/57	41,900	1.00	2.61	39,800	1.00	3.07	37,400	1.00	3.43	35,200	1.00	3.83	32,900	1.00	4.24
4HP14L48P-7	BCS3M48	85/72	51,900	0.62	2.95	51,400	0.64	3.55	51,000	0.65	4.00	48,400	0.68	4.47	45,800	0.70	4.93
		80/67	49,800	0.68	2.95	48,800	0.70	3.55	48,000	0.72	4.00	45,500	0.75	4.45	42,900	0.77	4.90
		75/63	47,900	0.71	2.95	45,600	0.74	3.53	43,800	0.77	3.98	40,800	0.82	4.43	37,900	0.86	4.88
		75/57	43,300	1.00	2.89	43,400	1.00	3.48	42,700	1.00	3.92	40,500	1.00	4.36	38,200	1.00	4.80
4HP14L60P-7	BCS3M60	85/72	72,000	0.62	3.68	66,300	0.65	4.34	62,000	0.67	4.85	58,000	0.69	5.47	54,000	0.71	6.09
		80/67	65,800	0.68	3.64	61,400	0.71	4.32	58,000	0.73	4.83	54,000	0.77	5.45	50,000	0.80	6.07
		75/63	60,800	0.71	3.60	56,200	0.74	4.29	52,700	0.76	4.81	49,400	0.78	5.43	46,100	0.80	6.04
		75/57	57,200	1.00	3.57	54,600	1.00	4.23	51,600	1.00	4.73	48,100	1.00	5.34	44,500	1.00	5.95

Note: Extended data shown is actual for models listed and typical for all AHRI matches.

Heating Performance with Extended Ratings

Outdoor Model	Indoor Model	Outdoor Temp - DB/WB°F°									
		00		17/15		35/33		47/43		62/56	
		Btuh	kW	Btuh	kW	Btuh	kW	Btuh	kW	Btuh	kW
4HP14L18P-7	BCS3M19	4,300	1.26	10,500	1.36	14,800	1.47	17,400	1.50	21,400	1.54
4HP14L24P-7	BCS3M24	5,800	1.54	14,000	1.78	18,700	1.83	22,000	1.90	26,900	2.00
4HP14L30P-7	BCS3M30	7,800	1.76	17,000	1.99	22,600	2.19	26,200	2.26	31,600	2.36
4HP14L36P-7	BCS3M36	9,700	2.20	21,600	2.53	29,700	2.80	34,600	2.90	41,900	3.04
4HP14L42P-7	BCS3M42	12,700	3.14	28,800	3.52	36,000	3.42	42,000	3.52	51,000	3.66
4HP14L48P-7	BCS3M48	14,100	2.85	29,600	3.47	40,300	3.83	46,500	4.01	55,800	4.28
4HP14L60P-7	BCS3M60	18,000	3.37	36,000	4.22	48,000	4.78	55,000	5.04	65,500	5.43

Note: Extended data shown is actual for models listed and typical for all AHRI

## Accessories

Description	Where Used	Kit Number
Crankcase Heater	18, 24, 30, 36	93M04
	42, 48, 60	93M05
Hard Start Kit	18	10J42
	24, 30, 36, 42, 48, 60	88M91
Compressor Low Ambient Kit	18, 24, 30, 36, 42, 48, 60	45F08
Sound Blanket	18, 24, 30, 36, 42, 48, 60	69J03
Short Cycle Protector	18, 24, 30, 36, 42, 48, 60 (Factory Installed)	47J27
Freezestat	3/8 tubing	93G35
	5/8 tubing	50A93
Time Delay Relay	18, 24, 30, 36, 42, 48, 60	58M81
Loss of Charge Kit	18, 24, 30, 36, 42, 48, 60	84M23

---

All specifications and illustrations  
subject to change without notice  
and without incurring obligations.

**Ducane**<sup>TM</sup>  
**AIR CONDITIONING  
AND HEATING**

[www.ducanehvac.com](http://www.ducanehvac.com)  
1-800-448-5872