

# Installation Instructions

## DRAIN KIT

### For Use With Packaged Terminal Units

Please read these instructions completely before attempting installation.

**NOTE:** These instructions apply to the Packaged Terminal Unit Drain Kit ONLY. Refer to Chassis Installation / Operation Manual and Wall Sleeve Installation Instructions for additional information.

Check kit for parts listed in Table 1.

Table 1 Drain Kit Parts List	
QUANTITY	DESCRIPTION
2	COVER PLATES
1	MOUNTING PLATE
1	DRAIN TUBE
3	MOUNTING PLATE GASKETS
4	#10 X 1/2" MOUNTING SCREWS
2	10-24 X 1/2" MACH. SCREWS
2	LOCKNUTS

**NOTE:** Determine whether drain will be located within the wall, on the indoor side, or will drain to the exterior of the building. Follow appropriate instructions below depending on your particular type of installation. Make certain that the four overflow slots at rear of the wall sleeve are not blocked.

## Internal Drain

**NOTE:** If installing an internal drain, you MUST install drain kit on wall sleeve before wall sleeve is installed.

1. Refer to Figure 1 and locate drain within "Primary" area for best drainage. Maintain at least 1/2" clearance from embossed area.
2. Using the mounting plate with the 1/2" hole as a template, mark and drill two, 3/16" mounting holes and a 1/2" drain hole.
3. Referring to Figure 2, remove gasket backing tape and apply sticky side of gasket to flat side of mounting plate. Insert drain tube through hole in gasket and mounting plate so tube flange will be against the wall sleeve.
4. Position assembly beneath drilled holes and secure with #10-24 x 1/2" machine screws and lock nuts provided. Seal tops of screws with silicon caulking.

5. Use 1/2" I.D. copper tube, PVC pipe, or vinyl hose (obtained locally) to connect from internal drain tube to drain system in building.
6. Referring to Detail A, locate and assemble (2) two cover plates and gaskets over drain holes at rear of wall sleeve. Attach with #10 sheet metal screws provided.

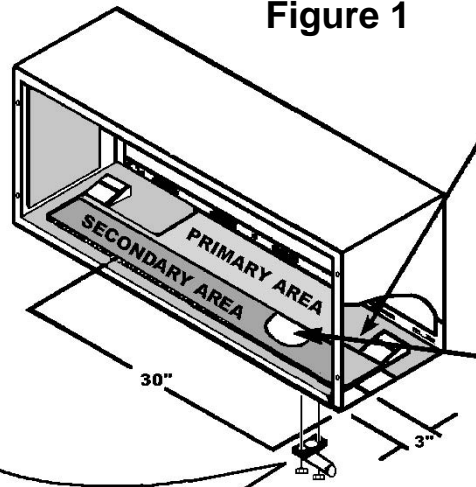
## External Drain

1. Peel backing tape off gaskets and apply sticky side to one cover plate and one mounting plate as shown in Details A and B.
2. Place drain tube through gasket and mounting plate with flange toward wall sleeve.
3. Attach drain tube assembly to one of two drain holes at rear of wall sleeve. Large flange on mounting plate is positioned at bottom of sleeve facing toward sleeve, Detail B. When drain tube is positioned at desired angle, tighten screws.

**NOTE:** If wall sleeve has not been installed, drain tube must be rotated to a horizontal position until after sleeve is installed. Tighten mounting plate screws when tube is in proper position.

4. Using two #10 x 1/2" sheet metal screws (provided), attach cover plate to remaining drain hole. Make certain large flange on plate is positioned at bottom of sleeve, Detail A.
5. Discard additional cover plate, gasket, machine screws, and locknuts.
6. Check unit for proper operation. Refer to Installation / Operation Manual for additional information.

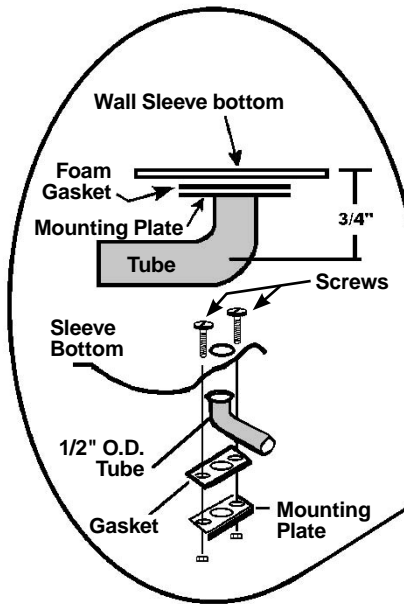
Figure 1



**Primary Area:** Condensation from the chassis collects in the sleeve in this area. The Primary Area is the preferred installation location.

If the drain must be located in the secondary area, the foam insulation must be cut away and removed to allow access to the drain.

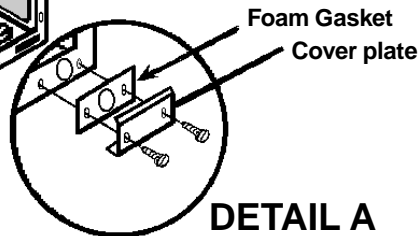
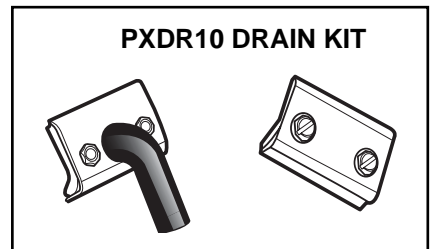
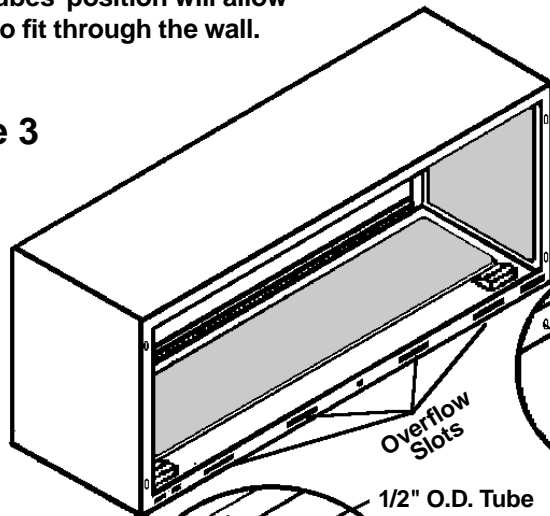
Figure 2



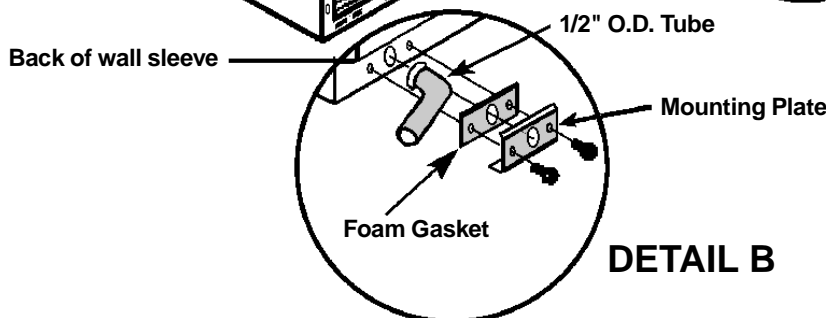
PXDR10 DRAIN KIT

**Note:** The cover plate and external drain tube assembly may be placed on either side of the wall sleeve. Before tightening the screws, make sure the tubes' position will allow the wall sleeve to fit through the wall.

Figure 3



DETAIL A



DETAIL B