

Installation Instructions

WALL SLEEVE ADAPTER KIT

For Use With Packaged Terminal Units

Please read these instructions completely before attempting installation.

NOTE: This kit retrofits the earlier shallow "T" series Friedrich wall sleeve to accommodate more modern, deeper "PD" series PTAC units. Refer to Chassis Installation/Operation Manual for additional information.

VERIFY KIT CONTENTS

Before starting installation, make sure that the following parts are included:

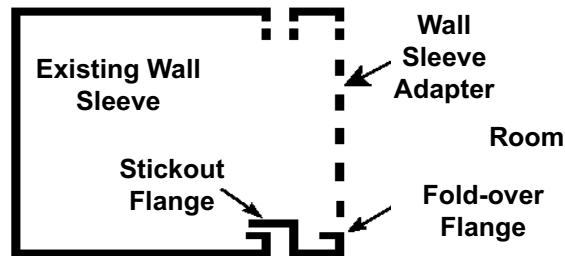
- One sheet metal wall sleeve adapter.
- Two long and two short pieces of styrofoam insulation with adhesive backing.
- Two long and two short adhesive-backed gasket pieces.
- Two Tinnerman's Clips.
- Ten #10 screws.

WARNING

Electrical shock hazard.
Electrical power **MUST** be disconnected.
Failure to disconnect power can result in property damage, personal injury and/or death.

STEP 1: WALL SLEEVE ADAPTER ORIENTATION

The wall sleeve adapter increases the depth of existing wall sleeves to accept deeper PTAC units. The adapter mounts to the front of the existing sleeve inside of the room. The sleeve should be oriented so that the Stickout Flange is inside the existing sleeve and the Fold-over Flange is positioned to the bottom front of the adapter as shown in illustration.

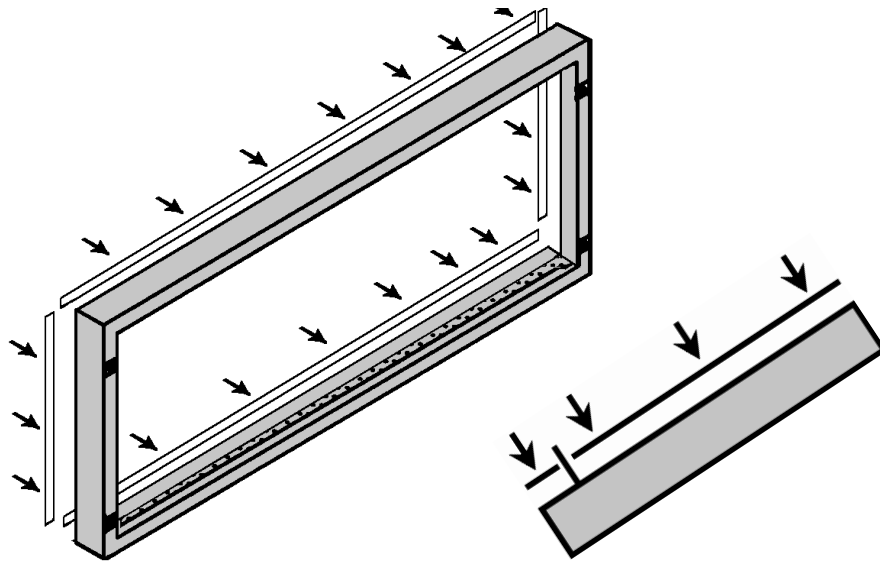


STEP 2

Insert the stickout flange of the wall sleeve adapter over the bottom flange of the existing sleeve. Make sure that the top of the sleeve is level with the top surface of the adapter.

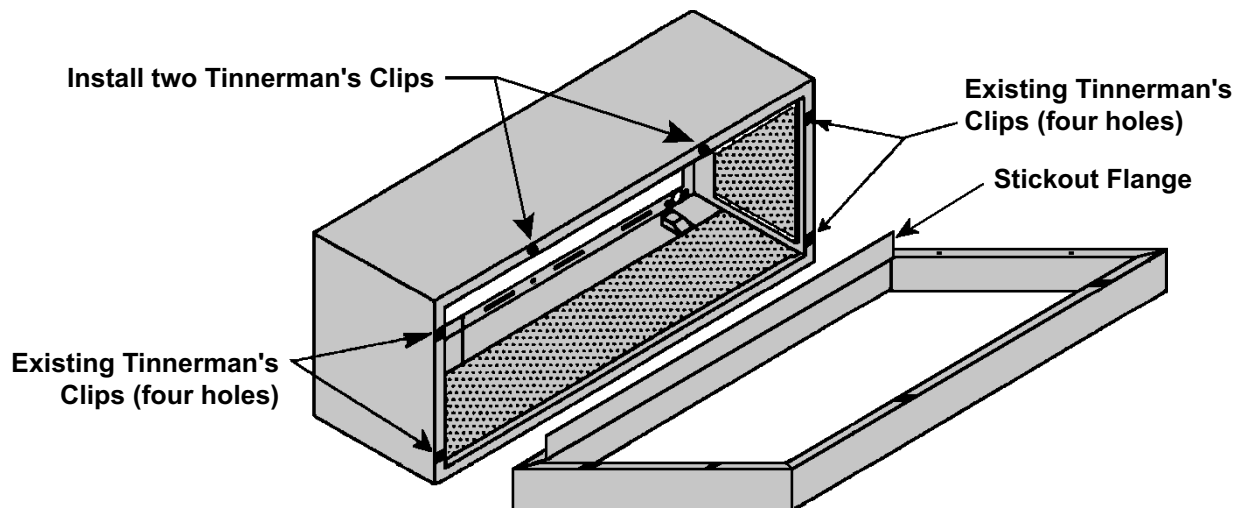
STEP 3

If not already installed, attach the white gasket pieces to the back flanges of the wall sleeve adapter where it will mate with the existing sleeve.



STEP 4

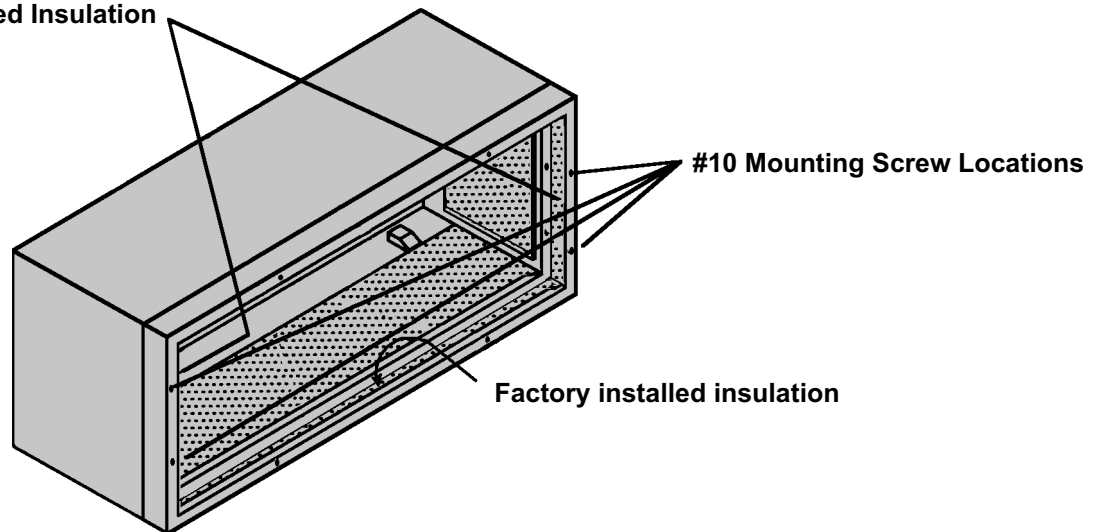
Install two Tinnerman's clips over the holes on the top flange of the wall sleeve. The flat round hole on the Tinnerman's clips should face outwards.



STEP 5

Remove the protective paper from the two short and one long styrofoam pieces. Install the short styrofoam insulation pieces on the short inside walls of the adapter. Install the adhesive-backed long piece on the top wall.

Field installed Insulation



STEP 6

Fasten the adapter to the wall sleeve with six $\frac{1}{2}$ " long #10 screws. All screws are driven from the inside of the adapter into the Tinnerman's clips mounted on the face of the wall sleeve. The stickout flange assists in properly aligning the two parts.

STEP 7

Slide the unit into the wall sleeve/adapter assembly. Fasten the unit to the wall sleeve adapter with four screws.

STEP 8

Review the Installation Manual instructions on installing the unit and electrical requirements. Run test the unit.

Friedrich[®]

FRIEDRICH AIR CONDITIONING CO. INC.

Post Office Box 1540 · San Antonio, Texas 78295-1540
4200 N. Pan Am Expressway · San Antonio, Texas 78218-5212
(210) 357-4400 · FAX (210) 357-4480

www.friedrich.com

Printed in the U.S.A.

920-127-01 (1-05)