

## INSTALLATION & OPERATING INSTRUCTIONS

## HIGH TEMPERATURE DRAIN PAN KITS HTP-A, HTP-B, HTP-C, HTP-D

### INSPECTION

Verify that the part number is correct for the unit model.

PARTS LIST			
PARTS	TYPE	PACKING LIST G.M.C. PART NO.	QTY.
DRAIN PAN	HTP-A = 14" coil	BT5076504	1
	HTP-B = 17 1/2" coil	BT5076505	1
	HTP-C = 21" coil	BT5076506	1
	HTP-D = 24 1/2" coil	BT5076507	1
HARDWARE KIT	-	BT1393212	1
INSTRUCTIONS	-	IO-255	1

### ATTENTION SERVICE PERSONNEL

As a professional servicer, you have an obligation to know the product better than the customer. This includes all safety precautions and related items.

Prior to actual installation, thoroughly familiarize yourself with these instructions. Pay special attention to all safety warnings. Often during installation or repair, it is possible to place yourself in a position which is more hazardous than when the unit is in operation.

Remember, it is your responsibility to install the product safely and to know it well enough to be able to instruct a customer in its safe use.

Safety is a matter of common sense...a matter of thinking before acting. Most dealers have a list of specific good safety practices...follow them.

The precautions listed in these instructions should not supersede existing practices, but should be considered as supplemental information.

All information contained herein is subject to change without notice.

# INSTALLATION INSTRUCTIONS

## WARNING

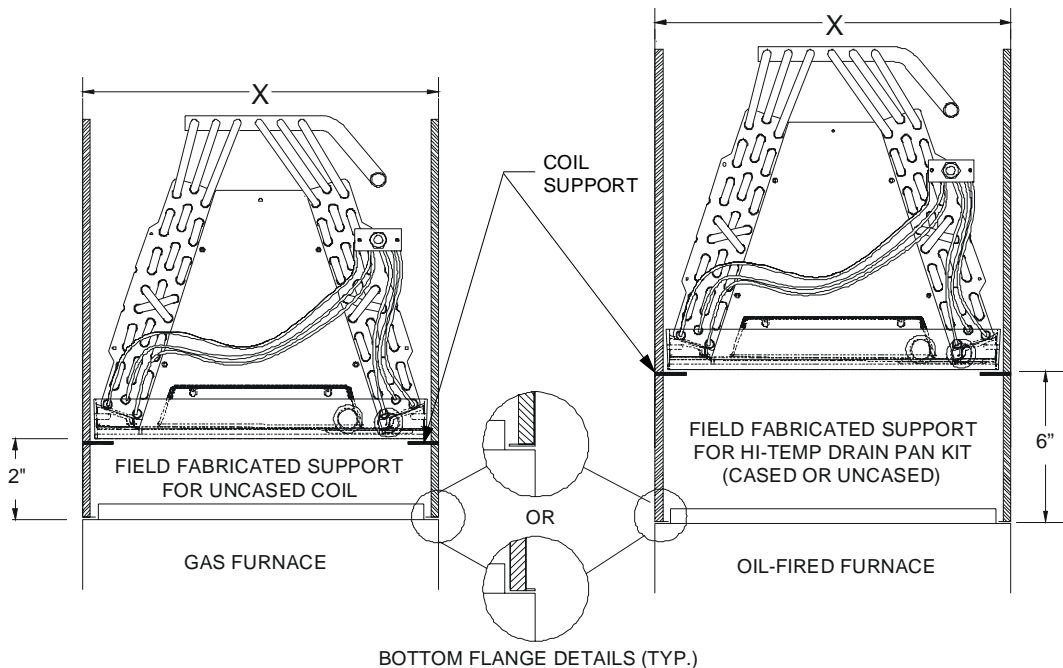
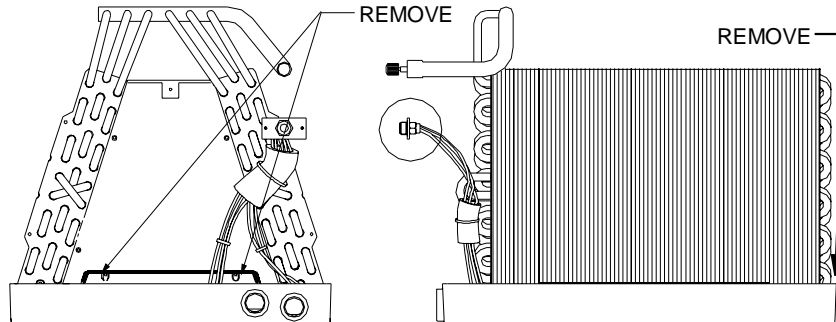
TO PREVENT PERSONAL INJURY OR DEATH DUE TO ELECTRICAL SHOCK,  
DISCONNECT ELECTRICAL POWER BEFORE INSTALLING OR SERVICING THE UNIT.

### To remove drain pan from coil pan assembly:

- 1) Remove 4 screws holding coil assembly to drain pan.
- 2) Discard the 4 screws.
- 3) Remove the drain pan.

### To install the high temperature drain pan:

- 4) Place the coil assembly on to the new high temperature drain pan. **Note:** When installing a high temperature drain pan kit for oil-fired furnace applications be sure to fabricate a 6 inch spacer as indicated below.
- 5) Install the 4 screws supplied with the kit (#8 X 3/8).



$$X = \text{Coil Pan Width} + \text{Insulation Thickness} \times 2$$

### Quality Makes the Difference!

“All of our systems are designed and manufactured with the same high quality standards regardless of size or efficiency. We have designed these units to significantly reduce the most frequent causes of product failure. They are simple to service and forgiving to operate. We use quality materials and components. Finally, every unit is run tested before it leaves the factory. That’s why we know. . . **There’s No Better Quality.**”

Visit our web site at [www.goodmanmfg.com](http://www.goodmanmfg.com) or [www.amana-hac.com](http://www.amana-hac.com) for information on:  
**Products, Warranties, Customer Services, Parts, Contractor Programs and Training, Financing Options**

© 2004-2006 Goodman Manufacturing Company, L.P.