

PRODUCT SPECIFICATIONS



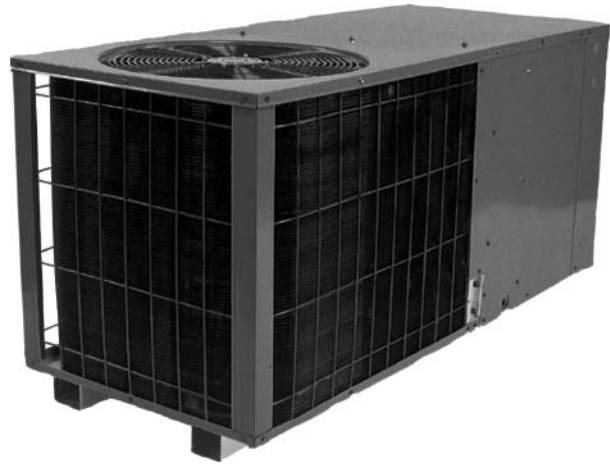
Air Conditioning & Heating

PCK SERIES 10 SEER

Packaged Air Conditioner

2 to 5 Ton

Cooling Capacity: 23,200 - 58,000 BTUH



The PCK packaged air conditioner allows for side-by-side ground-level or rooftop application and is approved for manufactured or modular homes.

Standard Features

- Hermetically sealed compressor with internal relief valve
- Two-speed evaporator blower motor; low-speed for normal or low-static application/high-speed for high-static application in manufactured homes
- Totally enclosed, permanently lubricated condenser fan motor
- Copper tube/aluminum fin coil
- Fully charged R-22 system
- Liquid line filter drier
- Quiet-operating top grille condenser discharge
- Fully insulated air handling compartment
- Bottom pan rails elevate the unit above the slab
- Convenient access panels

Cabinet Construction

- Powder-paint finish with 500-hour salt spray approval
- Fully insulated air handling compartment
- Convenient access panels
- When properly anchored, meets the 2001 Florida Building Code unit integrity requirements for hurricane-type winds

Accessories

- Roof Curb
- Downflow Plenum (includes filter rack)
- Manual Fresh Air Damper (to be used with Downflow Plenum)
- Economizer (to be used with Downflow Plenum)
- Louvered Panel Kit (LPAK-00A, LPAK-01A, LPAK-02A)
- Square-to-Round Duct Converter for Round Duct applications (horizontal and downflow)
- Elbow and Flashing Downflow Kit
- Room Thermostat (CHT18-60)
- Outdoor Thermostat (OT18-60)
- Heat Kit from 5 to 20 kW with plug-in connection

Accessory Heat Kit Features

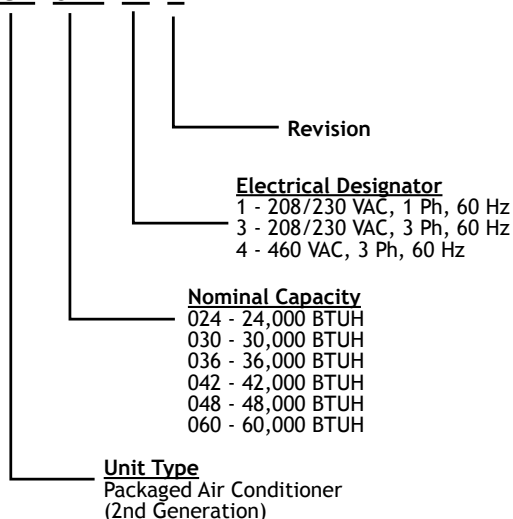
- Controlled by sequencers for better temperature control (single-phase units only)
- Control circuitry arranged to readily permit staging (HK10, 15, 20-1 only)
- Primary/secondary limit protection
- Rust-resistant nickel chromium heating elements
- Factory-installed circuit breakers on certain models (see Electrical Data)



PRODUCT SPECIFICATIONS

Nomenclature

PCK 024 -1 F



All Units Are Direct Drive

Specifications

	PCK024-1F	PCK030-1F	PCK036-1F	PCK036-3F	PCK042-1F
Total Cooling (BTUH)	23,200	28,400	35,000	35,000	42,000
Sensible Cooling (BTUH)	16,800	20,600	25,600	25,600	32,000
SEER¹	10.0	10.0	10.0	10.0	10.0
EER²	9.0	9.0	9.0	9.0	9.0
Sound Rating (bels)	8.0	8.0	8.0	8.0	8.4
Indoor Blower					
Type	DD	DD	DD	DD	DD
Size (D" x W")	9 x 6	9 x 6	9 x 6	9 x 6	9 x 8
Motor Horsepower	1/5	1/3	1/3	1/3	1/3
Evaporator Coil					
Face Area (ft²)	3.33	3.33	3.33	3.33	5.25
Fins per Inch	14	14	14	14	14
No. of Rows	2	2	3	3	3
Outdoor Fan					
Fan Diameter	18"	18"	18"	18"	22"
Motor Horsepower	1/6	1/6	1/6	1/6	1/4
Condenser Coil					
Face Area (ft²)	12.1	12.1	12.1	12.1	14.7
Fins per Inch	19	19	19	19	19
No. of Rows	1	1	1	1	1
Electrical					
Ph	1	1	1	3	1
Volts	208/230	208/230	208/230	208/230	208/230
Compressor RLA	9.8	13.8	16.2	10.3	17.1
Compressor LRA	56.0	75.0	96.0	75.0	105.0
Indoor Blower FLA	1.7	2.6	2.6	2.6	2.6
Outdoor Blower FLA	1.0	1.0	1.0	1.0	1.6
Minimum Circuit Ampacity	15.0	20.9	23.9	16.5	25.6
Maximum Overcurrent Protection	20	30	40	20	40
Net Weight (pounds)	240	245	265	265	335
Shipping Weight (pounds)	255	260	280	280	350

(1) Certified per ARI 210

(2) BTU/Watt @ 80/67 °F inside - 95 °F outside air

Note - May use fuses or HACR type Circuit Breakers of the same size as noted.

PRODUCT SPECIFICATIONS

Specifications (cont.)

	PCK048-1F	PCK048-3F	PCK060-1F	PCK060-3F	PCK060-4F
Total Cooling (BTUH)	46,000	46,000	58,000	58,000	58,000
Sensible Cooling (BTUH)	35,800	35,800	43,500	43,500	43,500
SEER¹	10.0	10.0	10.0	10.0	10.0
EER²	9.0	9.0	9.0	9.0	9.0
Sound Rating (bels)	8.4	8.4	8.4	8.4	8.4
Indoor Blower					
Type	DD	DD	DD	DD	DD
Size (D" x W")	10 x 8	10 x 8	10 x 8	10 x 8	10 x 8
Motor Horsepower	1/2	1/2	3/4	3/4	3/4
Evaporator Coil					
Face Area (ft²)	5.75	5.75	6.22	6.22	6.22
Fins per Inch	14	14	14	14	14
No. of Rows	4	4	4	4	4
Outdoor Fan					
Fan Diameter	22"	22"	22"	22"	22"
Motor Horsepower	1/4	1/4	1/3	1/3	1/3
Condenser Coil					
Face Area (ft²)	14.7	14.7	16.2	16.2	16.2
Fins per Inch	19	19	19	19	19
No. of Rows	1	1	1	1	1
Electrical					
Ph	1	3	1	3	3
Volts	208/230	208/230	208/230	208/230	460
Compressor RLA	18.3	12.6	25.0	15.5	7.5
Compressor LRA	102.0	91.0	170.0	124.0	59.6
Indoor Blower FLA	3.6	3.6	5.1	5.1	2.2
Outdoor Blower FLA	1.6	1.6	2.5	2.5	1.2
Minimum Circuit Ampacity	28.2	21.0	38.9	27.0	12.8
Maximum Overcurrent Protection	40	30	60	40	20
Net Weight (pounds)	340	340	350	350	350
Shipping Weight (pounds)	365	365	375	375	375

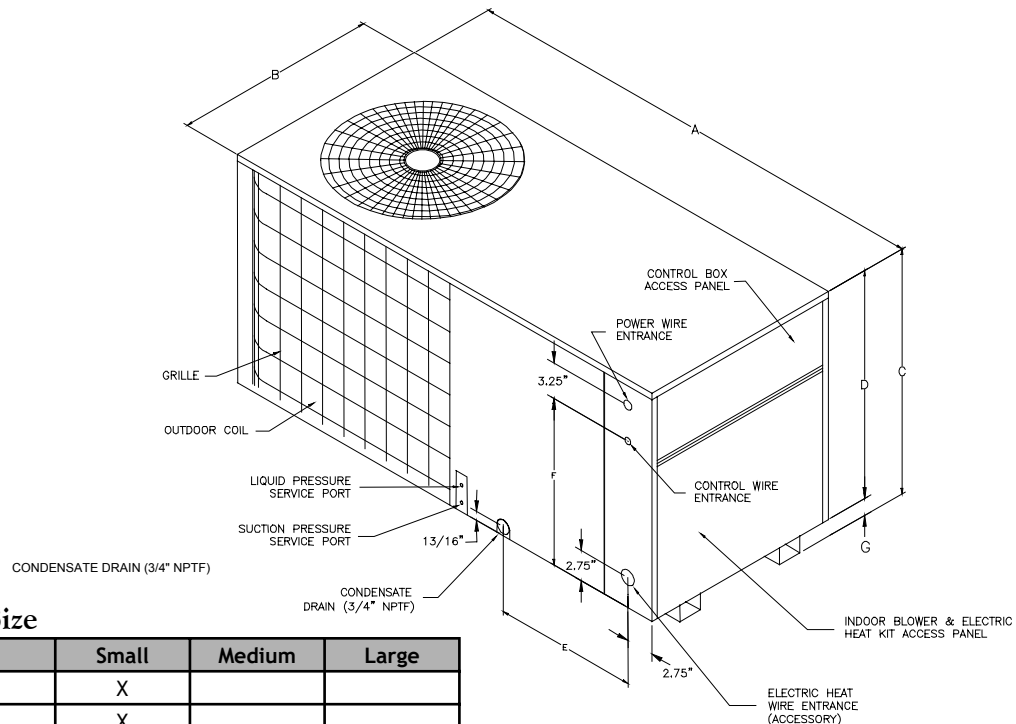
(1) Certified per ARI 210

(2) BTU/Watt @ 80/67 °F inside - 95 °F outside air

Note - May use fuses or HACR type Circuit Breakers of the same size as noted.

PRODUCT SPECIFICATIONS

Dimensions

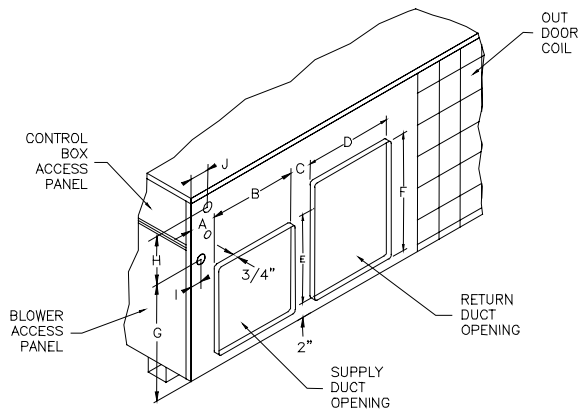


Chassis Size

Model	Small	Medium	Large
PCK024-1F	X		
PCK030-1F	X		
PCK036-1F	X		
PCK036-3F	X		
PCK042-1F		X	
PCK048-1F		X	
PCK048-3F		X	
PCK060-1F			X
PCK060-3F			X
PCK060-4F			X

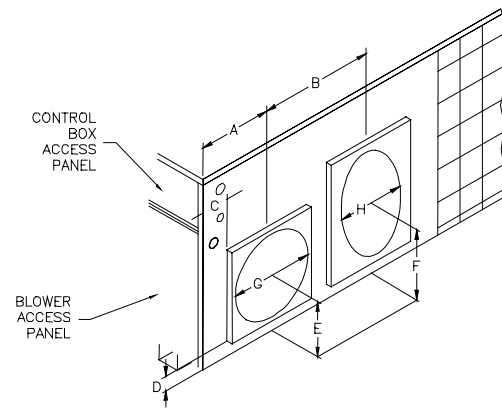
Chassis	A	B	C	D	E	F	G
Small	56.35"	24.14"	27.12"	25"	16.68"	19.56"	2.12"
Medium	63.15"	32.15"	29.62"	27.5"	19.56"	22.06"	2.12"
Large	63.15"	32.15"	34.62"	32.5"	19.56"	27.06"	2.12"

Unit with Regular Duct Panel



Chassis	A	B	C	D	E	F	G	H	I	J
Small	3.75"	12"	4.25"	12"	12"	20"	16.18"	6.62"	2.59"	2.59"
Medium	3.75"	14"	6.25"	14"	14"	22"	18.68"	6.62"	2.25"	2.75"
Large	3.75"	14"	6.25"	14"	14"	24"	18.68"	11.62"	2.25"	2.75"

Unit with Circular Duct Panel Added



Chassis	A	B	C	D	E	F	G	H*
Small	9.62"	16.24"	3.62"	2"	8"	12"	12"	14"
Medium	10.75"	20.25"	3.75"	2"	9"	13"	14"	16"
Large	10.75"	20.25"	3.75"	2"	9"	15"	14"	18"

* Return opening is equivalent to round duct stated

PRODUCT SPECIFICATIONS

Expanded Ratings—Cooling

PCK024-1F

INDOOR AIR		CONDENSER AIR TEMPERATURE														
SCFM	WB	75			85			95			105			115		
		TOTAL MBTUH	SENS MBTUH	WATTS KWH	TOTAL MBTUH	SENS MBTUH	WATTS KWH	TOTAL MBTUH	SENS MBTUH	WATTS KWH	TOTAL MBTUH	SENS MBTUH	WATTS KWH	TOTAL MBTUH	SENS MBTUH	WATTS KWH
657	72	26.9	12.6	2.42	25.8	12.1	2.55	24.4	11.6	2.66	23.0	11.1	2.78	21.6	10.6	2.91
	67	24.6	15.6	2.27	23.4	15.1	2.37	22.3	14.6	2.50	20.9	14.1	2.63	19.5	14.1	2.76
	62	22.7	18.5	2.11	21.6	18.0	2.24	21.0	17.5	2.37	20.4	17.0	2.50	19.3	16.3	2.60
	57	21.8	20.0	2.06	20.9	19.2	2.19	20.0	18.3	2.32	18.8	17.3	2.47	17.9	16.3	2.58
773	72	28.1	13.9	2.50	26.7	13.4	2.60	25.3	12.9	2.73	23.9	12.6	2.86	22.3	11.9	2.99
	67	25.8	17.8	2.35	24.6	17.3	2.45	23.2	16.8	2.58	21.8	16.3	2.71	20.4	15.8	2.84
	62	23.9	21.3	2.22	22.7	20.7	2.32	21.6	19.8	2.45	20.6	18.8	2.58	19.5	17.8	2.73
	57	23.7	21.7	2.19	22.5	20.8	2.32	21.6	19.8	2.45	20.6	18.8	2.58	19.5	17.8	2.73
889	72	28.8	15.1	2.55	27.4	14.6	2.66	26.0	14.1	2.78	24.4	13.6	2.91	23.0	13.3	3.04
	67	26.7	19.7	2.40	25.3	19.3	2.50	23.9	18.8	2.63	22.5	18.1	2.76	21.1	17.6	2.89
	62	25.1	23.0	2.29	24.1	22.0	2.42	22.7	21.0	2.55	21.8	20.0	2.68	20.4	18.8	2.84
	57	25.1	23.0	2.29	24.1	22.0	2.42	22.7	21.0	2.55	21.8	20.0	2.68	20.4	18.8	2.84

Sensible heat capacities shown are based on 80 °F DB entering air at the evaporator coil. For sensible heat capacities at other than 80 °F DB, deduct 84 BTUH per 100 CFM of evaporator coil air for each degree below 80 °F, or add 84 BTUH per 100 CFM of evaporator coil air per degree above 80 °F.

CAPACITIES AT 95 °F OUTDOOR, 75 °F DB AND 63 °F WB INDOOR
 TOTAL MBTUH 21.9 SENSIBLE MBTUH 16.0 LATENT MBTUH 5.9

PCK030-1F

INDOOR AIR		CONDENSER AIR TEMPERATURE														
SCFM	WB	75			85			95			105			115		
		TOTAL MBTUH	SENS MBTUH	WATTS KWH	TOTAL MBTUH	SENS MBTUH	WATTS KWH	TOTAL MBTUH	SENS MBTUH	WATTS KWH	TOTAL MBTUH	SENS MBTUH	WATTS KWH	TOTAL MBTUH	SENS MBTUH	WATTS KWH
805	72	32.9	15.5	2.97	31.5	14.8	3.12	29.8	14.2	3.25	28.1	13.6	3.41	26.4	13.0	3.57
	67	30.1	19.2	2.78	28.7	18.5	2.90	27.3	17.9	3.06	25.6	17.3	3.22	23.9	17.3	3.38
	62	27.8	22.7	2.59	26.4	22.0	2.75	25.7	21.4	2.90	25.0	20.8	3.06	23.6	20.0	3.19
	57	26.7	24.5	2.52	25.6	23.5	2.68	24.4	22.5	2.84	23.0	21.2	3.03	21.9	20.0	3.16
947	72	34.4	17.1	3.06	32.7	16.5	3.19	31.0	15.9	3.34	29.3	15.5	3.50	27.3	14.6	3.66
	67	31.5	21.8	2.87	30.1	21.2	3.00	28.4	20.6	3.16	26.7	20.0	3.31	25.0	19.4	3.47
	62	29.3	26.2	2.71	27.8	25.3	2.84	26.4	24.3	3.00	25.3	23.1	3.16	23.9	21.8	3.34
	57	29.0	26.6	2.68	27.5	25.5	2.84	26.4	24.3	3.00	25.3	23.1	3.16	23.9	21.8	3.34
1089	72	35.2	18.5	3.12	33.5	17.9	3.25	31.8	17.3	3.41	29.8	16.7	3.57	28.1	16.3	3.72
	67	32.7	24.1	2.93	31.0	23.7	3.06	29.3	23.1	3.22	27.5	22.2	3.38	25.8	21.6	3.53
	62	30.7	28.2	2.81	29.5	27.0	2.97	27.8	25.8	3.12	26.7	24.5	3.28	25.0	23.1	3.47
	57	30.7	28.2	2.81	29.5	27.0	2.97	27.8	25.8	3.12	26.7	24.5	3.28	25.0	23.1	3.47

Sensible heat capacities shown are based on 80 °F DB entering air at the evaporator coil. For sensible heat capacities at other than 80 °F DB, deduct 84 BTUH per 100 CFM of evaporator coil air for each degree below 80 °F, or add 84 BTUH per 100 CFM of evaporator coil air per degree above 80 °F.

CAPACITIES AT 95 °F OUTDOOR, 75 °F DB AND 63 °F WB INDOOR
 TOTAL MBTUH 26.8 SENSIBLE MBTUH 19.6 LATENT MBTUH 7.2

PCK036-1F/3F

INDOOR AIR		CONDENSER AIR TEMPERATURE														
SCFM	WB	75			85			95			105			115		
		TOTAL MBTUH	SENS MBTUH	WATTS KWH	TOTAL MBTUH	SENS MBTUH	WATTS KWH	TOTAL MBTUH	SENS MBTUH	WATTS KWH	TOTAL MBTUH	SENS MBTUH	WATTS KWH	TOTAL MBTUH	SENS MBTUH	WATTS KWH
992	72	40.6	19.2	3.66	38.9	18.4	3.85	36.8	17.7	4.01	34.7	16.9	4.20	32.6	16.1	4.39
	67	37.1	23.8	3.42	35.4	23.0	3.58	33.6	22.3	3.77	31.5	21.5	3.97	29.4	21.5	4.16
	62	34.3	28.2	3.19	32.6	27.4	3.38	31.7	26.6	3.58	30.8	25.9	3.77	29.1	24.8	3.93
	57	32.9	30.5	3.11	31.5	29.2	3.31	30.1	27.9	3.50	28.4	26.4	3.73	27.0	24.8	3.89
1167	72	42.4	21.2	3.77	40.3	20.5	3.93	38.2	19.7	4.12	36.1	19.2	4.32	33.6	18.2	4.51
	67	38.9	27.1	3.54	37.1	26.4	3.69	35.0	25.6	3.89	32.9	24.8	4.08	30.8	24.1	4.28
	62	36.1	32.5	3.34	34.3	31.5	3.50	32.6	30.2	3.69	31.2	28.7	3.89	29.4	27.1	4.12
	57	35.7	33.0	3.31	34.0	31.7	3.50	32.6	30.2	3.69	31.2	28.7	3.89	29.4	27.1	4.12
1342	72	43.4	23.0	3.85	41.3	22.3	4.01	39.2	21.5	4.20	36.8	20.7	4.39	34.7	20.2	4.59
	67	40.3	30.0	3.62	38.2	29.4	3.77	36.1	28.7	3.97	34.0	27.6	4.16	31.9	26.9	4.36
	62	37.8	35.1	3.46	36.4	33.5	3.66	34.3	32.0	3.85	32.9	30.5	4.04	30.8	28.7	4.28
	57	37.8	35.1	3.46	36.4	33.5	3.66	34.3	32.0	3.85	32.9	30.5	4.04	30.8	28.7	4.28

Sensible heat capacities shown are based on 80 °F DB entering air at the evaporator coil. For sensible heat capacities at other than 80 °F DB, deduct 84 BTUH per 100 CFM of evaporator coil air for each degree below 80 °F, or add 84 BTUH per 100 CFM of evaporator coil air per degree above 80 °F.

CAPACITIES AT 95 °F OUTDOOR, 75 °F DB AND 63 °F WB INDOOR
 TOTAL MBTUH 33.0 SENSIBLE MBTUH 24.4 LATENT MBTUH 8.7

PRODUCT SPECIFICATIONS

Expanded Ratings—Cooling (cont.)

PCK042-1F

INDOOR AIR		CONDENSER AIR TEMPERATURE														
SCFM	WB	75			85			95			105			115		
		TOTAL MBTUH	SENS MBTUH	WATTS KWH	TOTAL MBTUH	SENS MBTUH	WATTS KWH	TOTAL MBTUH	SENS MBTUH	WATTS KWH	TOTAL MBTUH	SENS MBTUH	WATTS KWH	TOTAL MBTUH	SENS MBTUH	WATTS KWH
1190	72	48.7	24.0	4.39	46.6	23.0	4.62	44.1	22.1	4.81	41.6	21.1	5.04	39.1	20.2	5.27
	67	44.5	29.8	4.11	42.4	28.8	4.29	40.3	27.8	4.53	37.8	26.9	4.76	35.3	26.9	4.99
	62	41.2	35.2	3.83	39.1	34.2	4.06	38.0	33.3	4.29	37.0	32.3	4.53	34.9	31.0	4.71
	57	39.5	38.1	3.73	37.8	36.5	3.97	36.1	34.9	4.20	34.0	33.0	4.48	32.3	31.0	4.67
1400	72	50.8	26.6	4.53	48.3	25.6	4.71	45.8	24.6	4.95	43.3	24.0	5.18	40.3	22.7	5.41
	67	46.6	33.9	4.25	44.5	33.0	4.43	42.0	32.0	4.67	39.5	31.0	4.90	37.0	30.1	5.13
	62	43.3	40.6	4.01	41.2	39.4	4.20	39.1	37.8	4.43	37.4	35.8	4.67	35.3	33.9	4.95
	57	42.8	41.3	3.97	40.7	39.7	4.20	39.1	37.8	4.43	37.4	35.8	4.67	35.3	33.9	4.95
1610	72	52.1	28.8	4.62	49.6	27.8	4.81	47.0	26.9	5.04	44.1	25.9	5.27	41.6	25.3	5.51
	67	48.3	37.4	4.34	45.8	36.8	4.53	43.3	35.8	4.76	40.7	34.6	4.99	38.2	33.6	5.23
	62	45.4	43.8	4.15	43.7	41.9	4.39	41.2	40.0	4.62	39.5	38.1	4.85	37.0	35.8	5.13
	57	45.4	43.8	4.15	43.7	41.9	4.39	41.2	40.0	4.62	39.5	38.1	4.85	37.0	35.8	5.13

Sensible heat capacities shown are based on 80 °F DB entering air at the evaporator coil. For sensible heat capacities at other than 80 °F DB, deduct 84 BTUH per 100 CFM of evaporator coil air for each degree below 80 °F, or add 84 BTUH per 100 CFM of evaporator coil air per degree above 80 °F.

CAPACITIES AT 95 °F OUTDOOR, 75 °F DB AND 63 °F WB INDOOR

TOTAL MBTUH 39.6 SENSIBLE MBTUH 30.7 LATENT MBTUH 8.9

PCK048-1F/3F

INDOOR AIR		CONDENSER AIR TEMPERATURE														
SCFM	WB	75			85			95			105			115		
		TOTAL MBTUH	SENS MBTUH	WATTS KWH	TOTAL MBTUH	SENS MBTUH	WATTS KWH	TOTAL MBTUH	SENS MBTUH	WATTS KWH	TOTAL MBTUH	SENS MBTUH	WATTS KWH	TOTAL MBTUH	SENS MBTUH	WATTS KWH
1303	72	53.4	26.9	4.80	51.1	25.8	5.06	48.3	24.7	5.26	45.5	23.6	5.52	42.8	22.6	5.78
	67	48.8	33.3	4.50	46.5	32.2	4.70	44.2	31.1	4.96	41.4	30.1	5.21	38.6	30.1	5.47
	62	45.1	39.4	4.19	42.8	38.3	4.45	41.6	37.2	4.70	40.5	36.2	4.96	38.2	34.7	5.16
	57	43.2	42.6	4.09	41.4	40.8	4.34	39.6	39.0	4.60	37.3	36.9	4.91	35.4	34.7	5.11
1533	72	55.7	29.7	4.96	52.9	28.6	5.16	50.1	27.6	5.42	47.4	26.9	5.67	44.2	25.4	5.93
	67	51.1	37.9	4.65	48.8	36.9	4.86	46.0	35.8	5.11	43.2	34.7	5.37	40.5	33.7	5.62
	62	47.4	45.5	4.40	45.1	44.0	4.60	42.8	42.2	4.86	40.9	40.1	5.11	38.6	37.9	5.42
	57	46.9	46.2	4.34	44.6	44.4	4.60	42.8	42.2	4.86	40.9	40.1	5.11	38.6	37.9	5.42
1763	72	57.0	32.2	5.06	54.3	31.1	5.26	51.5	30.1	5.52	48.3	29.0	5.78	45.5	28.3	6.03
	67	52.9	41.9	4.75	50.1	41.2	4.96	47.4	40.1	5.21	44.6	38.7	5.47	41.9	37.6	5.72
	62	49.7	49.0	4.55	47.8	46.9	4.80	45.1	44.8	5.06	43.2	42.6	5.32	40.5	40.1	5.62
	57	49.7	49.0	4.55	47.8	46.9	4.80	45.1	44.8	5.06	43.2	42.6	5.32	40.5	40.1	5.62

Sensible heat capacities shown are based on 80 °F DB entering air at the evaporator coil. For sensible heat capacities at other than 80 °F DB, deduct 84 BTUH per 100 CFM of evaporator coil air for each degree below 80 °F, or add 84 BTUH per 100 CFM of evaporator coil air per degree above 80 °F.

CAPACITIES AT 95 °F OUTDOOR, 75 °F DB AND 63 °F WB INDOOR

TOTAL MBTUH 43.4 SENSIBLE MBTUH 34.5 LATENT MBTUH 8.9

PCK060-1F/3F/4F

INDOOR AIR		CONDENSER AIR TEMPERATURE														
SCFM	WB	75			85			95			105			115		
		TOTAL MBTUH	SENS MBTUH	WATTS KWH	TOTAL MBTUH	SENS MBTUH	WATTS KWH	TOTAL MBTUH	SENS MBTUH	WATTS KWH	TOTAL MBTUH	SENS MBTUH	WATTS KWH	TOTAL MBTUH	SENS MBTUH	WATTS KWH
1643	72	67.3	32.6	6.06	64.4	31.3	6.38	60.9	30.0	6.64	57.4	28.7	6.96	53.9	27.4	7.28
	67	61.5	40.5	5.67	58.6	39.2	5.93	55.7	37.8	6.25	52.2	36.5	6.57	48.7	36.5	6.90
	62	56.8	47.9	5.28	53.9	46.5	5.61	52.5	45.2	5.93	51.0	43.9	6.25	48.1	42.2	6.51
	57	54.5	51.8	5.16	52.2	49.6	5.48	49.9	47.4	5.80	47.0	44.8	6.19	44.7	42.2	6.44
1933	72	70.2	36.1	6.25	66.7	34.8	6.51	63.2	33.5	6.83	59.7	32.6	7.15	55.7	30.9	7.48
	67	64.4	46.1	5.86	61.5	44.8	6.12	58.0	43.5	6.44	54.5	42.2	6.77	51.0	40.9	7.09
	62	59.7	55.2	5.54	56.8	53.5	5.80	53.9	51.3	6.12	51.6	48.7	6.44	48.7	46.1	6.83
	57	59.2	56.1	5.48	56.3	53.9	5.80	53.9	51.3	6.12	51.6	48.7	6.44	48.7	46.1	6.83
2223	72	71.9	39.2	6.38	68.4	37.8	6.64	65.0	36.5	6.96	60.9	35.2	7.28	57.4	34.4	7.60
	67	66.7	50.9	5.99	63.2	50.0	6.25	59.7	48.7	6.57	56.3	47.0	6.90	52.8	45.7	7.22
	62	62.6	59.6	5.74	60.3	57.0	6.06	56.8	54.4	6.38	54.5	51.8	6.70	51.0	48.7	7.09
	57	62.6	59.6	5.74	60.3	57.0	6.06	56.8	54.4	6.38	54.5	51.8	6.70	51.0	48.7	7.09

Sensible heat capacities shown are based on 80 °F DB entering air at the evaporator coil. For sensible heat capacities at other than 80 °F DB, deduct 84 BTUH per 100 CFM of evaporator coil air for each degree below 80 °F, or add 84 BTUH per 100 CFM of evaporator coil air per degree above 80 °F.

CAPACITIES AT 95 °F OUTDOOR, 75 °F DB AND 63 °F WB INDOOR

TOTAL MBTUH 54.8 SENSIBLE MBTUH 41.6 LATENT MBTUH 13.1

PRODUCT SPECIFICATIONS

Evaporator Blower Specifications

		E.S.P (In. of H ₂ O)											
Model	Speed	VOLTS	0.1	0.2	0.3	0.4	0.5	0.6	0.7	0.8	0.9	1.0	
PCK024-1F	LOW	230	CFM WATTS	1,100 400	1,080 390	1,055 380	1,020 370	975 355	950 330	900 305	855 285	- -	- -
		208	CFM WATTS	1,060 375	1,040 365	1,005 335	950 330	920 320	890 305	845 285	795 260	- -	- -
	HIGH	230	CFM WATTS	1,250 470	1,240 465	1,200 450	1,150 435	1,070 420	1035 400	995 370	945 345	890 320	835 290
		208	CFM WATTS	1,225 440	1,220 435	1,175 420	1,125 410	1045 395	1,010 375	960 345	900 320	835 295	805 265
PCK030-1F	LOW	230	CFM WATTS	1,150 320	1,120 310	1,075 300	1,005 290	955 275	870 255	770 240	- -	- -	- -
		208	CFM WATTS	1,110 355	1,080 285	1,055 255	945 250	900 240	8,100 230	- -	- -	- -	- -
	MED	230	CFM WATTS	1,275 385	1,265 380	1,210 360	1,135 350	1,070 335	985 310	855 290	- -	- -	- -
		208	CFM WATTS	1,250 355	1,245 340	1,185 335	1,110 330	1,045 300	9,602 285	820 265	- -	- -	- -
	HIGH	230	CFM WATTS	1,345 435	1,335 430	1,275 415	1,210 400	1,135 390	1,035 375	925 355	785 330	- -	- -
		208	CFM WATTS	1,310 405	1,315 400	1,250 385	1,175 375	1,110 365	1,010 350	890 330	740 305	- -	- -
PCK036-1F PCK036-3F	LOW	230	CFM WATTS	1,100 315	1,070 305	1,025 295	965 285	905 270	820 250	720 235	- -	- -	- -
		208	CFM WATTS	1,060 350	1,030 280	1,005 250	895 245	850 235	760 225	- -	- -	- -	
	MED	230	CFM WATTS	1,225 380	1,215 375	1,160 355	1,085 345	1,020 330	935 305	805 285	- -	- -	- -
		208	CFM WATTS	1,200 350	1,195 335	1,135 330	1,060 325	995 295	910 280	770 260	- -	- -	- -
	HIGH	230	CFM WATTS	1,295 430	1,285 425	1,225 410	1,150 395	1,085 385	985 370	875 350	735 325	- -	- -
		208	CFM WATTS	1,260 400	1,265 395	1,200 380	1,125 370	1,060 360	960 345	840 325	690 300	- -	- -
PCK042-1F	LOW	230	CFM WATTS	1,390 460	1,375 440	1,365 425	1,355 420	1,330 410	1,280 380	- -	- -	- -	- -
		208	CFM WATTS	1,320 430	1,310 415	1,300 400	1,285 395	1,260 385	- -	- -	- -	- -	- -
	HIGH	230	CFM WATTS	1,725 550	1,630 520	1,590 510	1,560 500	1,520 480	1,400 430	1,315 410	- -	- -	- -
		208	CFM WATTS	1,640 525	1,550 495	1,515 485	1,485 475	1,445 455	1,330 410	1,250 380	- -	- -	- -
PCK048-1F PCK048-3F	LOW	230	CFM WATTS	1,760 725	1,730 690	1,685 670	1,635 640	1,580 600	1,490 600	- -	- -	- -	- -
		208	CFM WATTS	1,640 700	1,610 665	1,600 650	1,580 625	1,490 565	- -	- -	- -	- -	- -
	HIGH	230	CFM WATTS	2,010 870	1,990 840	1,960 810	1,880 765	1,795 710	1,695 670	1,595 635	- -	- -	- -
		208	CFM WATTS	1,910 825	1,895 790	1,865 770	1,790 730	1,710 680	1,615 640	1,520 605	- -	- -	- -
PCK060-1F PCK060-3F PCK060-4F	LOW	230	CFM WATTS	2,160 910	2,125 865	2,085 830	2,025 800	1,970 765	- -	- -	- -	- -	- -
		208	CFM WATTS	2,055 820	2,010 780	1,985 755	1,890 740	1,870 730	- -	- -	- -	- -	- -
	HIGH	230	CFM WATTS	2,540 1,115	2,470 1,070	2,310 1,020	2,280 985	2,220 945	2,095 895	- -	- -	- -	- -
		208	CFM WATTS	2,425 1,055	2,350 1,020	2,200 985	2,150 935	2,120 905	1,995 855	- -	- -	- -	- -

NOTES:

1. Data shown is dry coil. Wet coil pressure drop is approx. 0.1" H₂O, for 2 row indoor coil; 0.2" H₂O, for 3 row indoor coil; and 0.3" H₂O, for 4 row indoor coil.
2. Data shown does not include filter pressure drop, approx. 0.08" H₂O.
3. ALL MODELS SHOULD RUN NO LESS THAN 350 CFM / TON, USE HIGHER SPEED TAP OR NEXT SIZE LARGER BLOWER ASM., SEE REPAIR PARTS LIST.

PRODUCT SPECIFICATIONS

Heat Kit Selection

Model	PCK024-1F	PCK030-1F	PCK036-1F/-3F	PCK042-1F	PCK048-1F/-3F	PCK060-1F/-3F/-4F
HK05-1	✓	✓	✓	✓	✓	✓
HK08-1	✓	✓	✓	✓	✓	✓
HK10-*	✓	✓	✓	✓	✓	✓
HK15-*		✓	✓	✓	✓	✓
HK20-*			✓	✓	✓	✓

* 1 or 3 Electrical Designator.

NOTE: See SS-311D (HKR Spec Sheet) for further information about Heat Kits

Heat Kit Electrical Data

Model	Nominal kW	Heater Ampacity 208/240V	Minimum Ampacity 208/240V	Maximum Overcurrent Protection 208/240V	Multiple Supply Circuit			
					Minimum Ampacity per Circuit @ 208/240V		Maximum Overcurrent Protection @ 208/240V	
					1	2	1	2
HK05-1*	4.75	17.2/19.8	22/25	30/30				
HK08-1*	7.00	25.3/29.2	32/37	60/60				
HK10-1*	9.50	34.4/39.6	43/50	60/60				
HK10-3	9.50	20.7/23.6	26/30	30/30				
HK15-1*	14.25	51.5/59.4	65/75	90/90	22/25	43/50	30/30	60/60
HK15-3	15.0	31.7/36.2	40/46	50/50				
HK15-4#	15.0	18.1	23	30				
HK20-1*	19.0	68.7/79.2	86/99	120/120	43/50	43/50	60/60	60/60
HK20-3	19.6	41.4/47.2	52/59	60/60				
HK20-4#	19.6	23.6	30	30				

* Circuit Breaker Models

Ratings at 480 VAC, Phase 3

NOTE: Ratings are at 208/240 VAC, except where noted

Accessories

Model	LPAK-00A	LPAK-01A	LPAK-02A
PCK024-1F	X		
PCK030-1F	X		
PCK036-1F	X		
PCK036-3F	X		
PCK042-1F		X	
PCK048-1F		X	
PCK048-3F		X	
PCK060-1F			X
PCK060-3F			X
PCK060-4F			X

kW Correction Factor

Supply Voltage	240	230	220	210	208
Correction Factor	1.00	0.93	0.85	0.78	0.76

Multiply the 240 VAC capacity by factors



Goodman Manufacturing Company, L.P., reserves the right to discontinue, or change at any time, specifications or designs without notice or without incurring obligations.
Copyright © 2005 Goodman Manufacturing Company, L.P. • Houston, Texas • Printed in the USA. • Goodman products are made proudly in the USA.