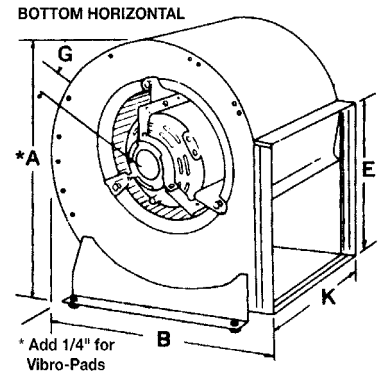


## DIRECT DRIVE BLOWERS



### DIRECT DRIVE BLOWER ASSEMBLIES CONSIST OF:

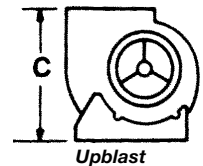
- Heavy gauge steel blower
- Adjustable motor mounting bracket
- Vibro-Pads
- Universal housing supports



### DIMENSIONS – CW\* ROTATION

Part Number	Lau Model (less Motor)	K	E	A	B	C	D	F	G†	Shaft Size
38-2513-01M	DD9-7A	9 <sup>3</sup> / <sub>16</sub>	10 <sup>1</sup> / <sub>4</sub>	17	14 <sup>15</sup> / <sub>16</sub>	15 <sup>1</sup> / <sub>16</sub>	14 <sup>15</sup> / <sub>16</sub>	15 <sup>9</sup> / <sub>16</sub>	1 <sup>1</sup> / <sub>4</sub>	1/2" Bore
38-2513-02M	DD9-9A	11 <sup>7</sup> / <sub>8</sub>	10 <sup>1</sup> / <sub>4</sub>	17	14 <sup>15</sup> / <sub>16</sub>	15 <sup>1</sup> / <sub>16</sub>	14 <sup>15</sup> / <sub>16</sub>	15 <sup>9</sup> / <sub>16</sub>	7/8	1/2" Bore
38-2513-03M	DD10-8A	10 <sup>1</sup> / <sub>2</sub>	11 <sup>3</sup> / <sub>8</sub>	18 <sup>7</sup> / <sub>8</sub>	16 <sup>1</sup> / <sub>2</sub>	16 <sup>11</sup> / <sub>16</sub>	16 <sup>1</sup> / <sub>2</sub>	17 <sup>1</sup> / <sub>2</sub>	1 <sup>1</sup> / <sub>8</sub>	1/2" Bore
38-2513-04M	DD10-10A	13 <sup>1</sup> / <sub>16</sub>	11 <sup>3</sup> / <sub>8</sub>	18 <sup>7</sup> / <sub>8</sub>	16 <sup>1</sup> / <sub>2</sub>	16 <sup>11</sup> / <sub>16</sub>	16 <sup>1</sup> / <sub>2</sub>	17 <sup>1</sup> / <sub>2</sub>	5/8	1/2" Bore
024840-28M	DD12-9A	12 <sup>1</sup> / <sub>4</sub>	13 <sup>7</sup> / <sub>16</sub>	21 <sup>1</sup> / <sub>8</sub>	19 <sup>3</sup> / <sub>8</sub>	19 <sup>1</sup> / <sub>2</sub>	19 <sup>3</sup> / <sub>8</sub>	20 <sup>1</sup> / <sub>2</sub>	1 <sup>1</sup> / <sub>16</sub>	1/2" Bore
024840-29M	DD12-12A	15 <sup>5</sup> / <sub>8</sub>	13 <sup>7</sup> / <sub>16</sub>	21 <sup>1</sup> / <sub>8</sub>	19 <sup>3</sup> / <sub>8</sub>	19 <sup>1</sup> / <sub>2</sub>	19 <sup>3</sup> / <sub>8</sub>	20 <sup>1</sup> / <sub>2</sub>	1 <sup>5</sup> / <sub>16</sub>	1/2" Bore

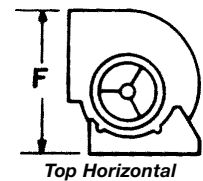
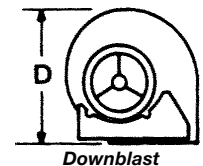
† Dimensions are maximum and will vary slightly with motor sizes.



### DIRECT DRIVE BLOWER PERFORMANCE

The following Performance Data assumes use of an off-the-shelf, 1075 RPM motor. For exact performance in your application, contact Lau.

Model Number	Motor HP (High Speed)	CFM												
		.5 SP	.6 SP	.7 SP	.8 SP	.9 SP	1.0 SP	1.1 SP	1.2 SP	1.3 SP	1.4 SP	1.5 SP	1.6 SP	
DD 9-7	1/4	—	—	1220	1170	1100	980	—	—	—	—	—	—	—
DD 9-7	1/8	1470	1490	1290	1330	1250	1100	—	—	—	—	—	—	—
DD 9-9	1/4	1330	1290	1240	1160	1000	—	—	—	—	—	—	—	—
DD 9-9	1/8	1560	1490	1430	1320	1150	—	—	—	—	—	—	—	—
DD 9-9	1/2	1820	1730	1620	1480	1260	—	—	—	—	—	—	—	—
DD10-8	1/4	—	—	—	—	—	1195	1130	1020	—	—	—	—	—
DD10-8	1/8	—	—	—	—	—	1460	1410	1360	1270	1100	—	—	—
DD10-8	1/2	—	2130	2070	2000	1930	1840	1740	1620	1450	—	—	—	—
DD10-10	1/8	—	—	—	—	—	1520	1460	1350	1000	—	—	—	—
DD10-10	1/2	—	2300	2220	2140	2060	1950	1800	1500	—	—	—	—	—
DD11-10*	1/2	—	—	—	—	—	—	2160	2070	1950	1750	—	—	—
DD12-9	1/2	—	—	—	—	—	—	—	—	1950	1910	1850	1740	—
DD12-12	1/2	—	—	—	—	—	—	2150	2080	1950	1600	—	—	—

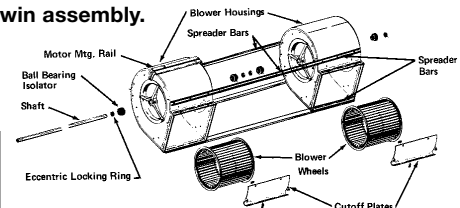


\* Reference **NOTE:** To select a Drive Direct Blower, choose the matching dimensions, K and E above, to match the application. Other dimensions are not as critical, assuming overall dimensions do not exceed available space.

### TWIN BLOWER PARTS KIT

For converting two standard replacement blowers to a twin assembly.

Includes everything necessary for twin blowers; ball bearings, spreader bars, shaft, hardware and instruction manual. Order blowers from Page 23. Do not exceed hub torque limits (see Page 49).



**TECHNICAL TIP:** For Twin Blower performance, use same Single Blower Performance Data but double CFM and BHP (brake horsepower) at same SP (static pressure).

Part Number	Description	Bore Size	Shaft Length	Spreader Bar Length
024840-93	Twin Blower Parts Kit – 2A9-6A*, 2A9-7A, 2A9-9A	3/4"	36 <sup>1</sup> / <sub>8</sub> "	32 <sup>1</sup> / <sub>2</sub> "
024840-94	Twin Blower Parts Kit – 2A10-6A*, 2A10-8A*, 2A10-10A	3/4"	39 <sup>3</sup> / <sub>4</sub> "	36"
024840-95	Twin Blower Parts Kit – 2A12-6A*, 2A12-9A*, 2A12-12A	1"	47 <sup>3</sup> / <sub>4</sub> "	43"
024840-96	Twin Blower Parts Kit – 2A15-9A*, 2A15-11A*, 2A15-15A	1"	56 <sup>1</sup> / <sub>4</sub> "	52"

\* For Blowers other than full width, redrill holes in spreader bars to match overall blower width desired. Also, cut shaft to length required. For Twin Blower assemblies larger than 15" diameter, order a complete twin assembly from the factory (allow 8 to 10 weeks lead-time).

Specifications are subject to change without notice or obligation.