

## MGE4

Item no. 411106

Document type: **Product card**

Document date: **2014-05-09**

Generated by: **Systemair Online Catalogue**

### Description

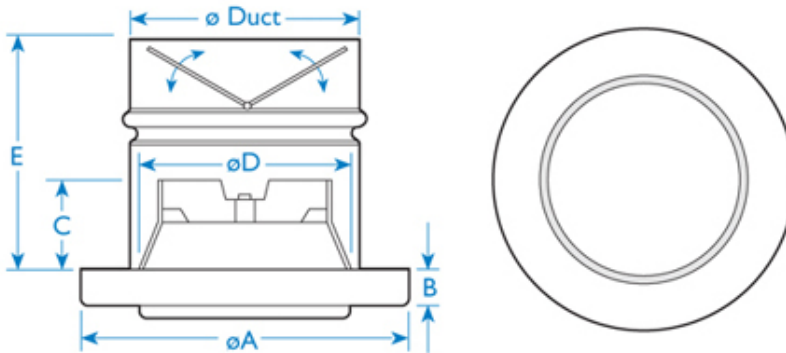
#### Metal Exhaust Grille

- Can be installed directly onto the duct
- The pressure is adjusted by rotating the valve cone
- Can be used for supply air

An exhaust diffuser for installation on ceiling or wall. It can also be used for supply air. The diffuser has a lockable central cone which is rotated to adjust the pressure and consequently the air volume. Manufactured from sheet steel with a white powder-coated finish.



### Dimensions



Model	$\varnothing$ Duct	$\varnothing$ A	B	C	$\varnothing$ D	E
MGE 4	4	5 3/4	5/8	1 5/8	3 7/8	3 3/4
MGE 5	5	6 3/8	5/8	1 5/8	5 3/4	3 3/4
MGE 6	6	7 1/2	5/8	1 7/8	5 7/8	3 3/4
MGE 8	8	9 1/8	5/8	1 7/8	7 7/8	3 3/4