

Accommodator

Filter Housing

For Gas Furnaces

ACCOMMODATOR TALL BASE

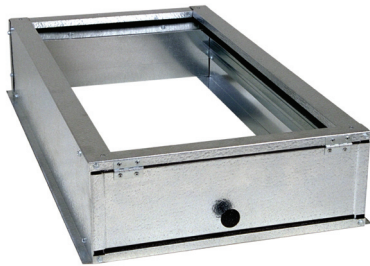
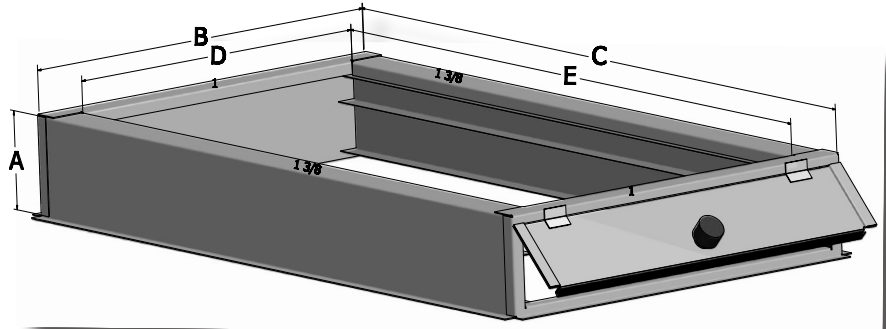
Height 5 3/4"

Handles 1", 2" or 4" filters

ACCOMMODATOR SHORT BASE

Height 3 3/4"

Handles 1" or 2" filters



- New hinged door for easy access
- Built for standard filters
- Gasketed door ensures tight seal
- Fully insulated
- Sizes to fit all furnaces through 5 tons

SPECIFICATIONS FOR GAS FURNACES

Accommodator Short

MODEL	OUTSIDE DIMENSION			DUCT OPENING		FILTER SIZE
	W	H	L	W	L	
ACG 1425-3	15 ^{3/8}	3 ^{3/4}	28 ^{1/2}	12 ^{7/8}	26 ^{1/2}	14 x 25
ACG 1625-3	17 ^{3/8}	3 ^{3/4}	28 ^{1/2}	14 ^{7/8}	26 ^{1/2}	16 x 25
ACG 2025-3	21 ^{3/8}	3 ^{3/4}	28 ^{1/2}	18 ^{7/8}	26 ^{1/2}	20 x 25
ACG 2424-3	25 ^{3/8}	3 ^{3/4}	28 ^{1/2}	22 ^{7/8}	26 ^{1/2}	24 x 24
ACG 3025-3	31 ^{3/8}	3 ^{3/4}	28 ^{1/2}	28 ^{5/8}	26 ^{1/2}	30 x 25

SPECIFICATIONS FOR GAS FURNACES

Accommodator Tall

MODEL	OUTSIDE DIMENSION			DUCT OPENING		FILTER SIZE
	W	H	L	W	L	
ACG 1425-6	15 ^{3/8}	5 ^{3/4}	28 ^{1/2}	12 ^{7/8}	26 ^{1/2}	14 x 25
ACG 1625-6	17 ^{3/8}	5 ^{3/4}	28 ^{1/2}	14 ^{7/8}	26 ^{1/2}	16 x 25
ACG 2025-6	21 ^{3/8}	5 ^{3/4}	28 ^{1/2}	18 ^{7/8}	26 ^{1/2}	20 x 25
ACG 2424-6	25 ^{3/8}	5 ^{3/4}	28 ^{1/2}	22 ^{7/8}	26 ^{1/2}	24 x 24
ACG 3025-6	31 ^{3/8}	5 ^{3/4}	28 ^{1/2}	28 ^{5/8}	26 ^{1/2}	30 x 25

NOTE →

1", 2" or 4" filter option

Filter may be purchased at your local wholesaler or distributor