

Model NR98 Series Residential Tankless Water Heater Specification Sheet

- **Standard Input** - gas consumption ranges from 12,000 BTU/h to 199,900 BTU/h
- **Capacity Range** - flow rates from 0.5 gpm up to 9.8 gpm
- **Compact Design** - ANSI Z21.10.3/CSA 4.3 certified design that can be wall-mounted indoors (-SV and -DVC models only) or installed outdoors with an -OD model
- **Durable Steel Casing with Polyester Coating**
- **Heat Exchanger** - manufactured with commercial grade copper, 25% thicker piping than standard models
- **Venting Options** - available in Power Vent (-SV), Outdoor (-OD), or Concentric Direct Vent (-DVC) model that requires either 4" Category III or 5" / 3" Noritz concentric stainless steel pipe
- **Direct Electronic Ignition**
- **Quick-Connect** - two identical units can be linked together by using the optional Quick Connect Cord for twice the hot water capacity
- **Energy Factor** - 0.83 (NG) 0.83 (LP) for SV model
0.82 (NG) 0.86 (LP) for OD model
0.82 (NG) 0.84 (LP) for DVC model
- **Thermal Efficiency** - 84% efficient for use with natural gas or propane
- **Temperature Controls** - includes remote thermostat that can precisely adjust the output temperature from 100°F to 180°F
- **Power Cord Installation Kit** - 6' power cord is included with -SV and -DVC models (assembly required for SV models)
- **Safety Devices** - Flame Sensor, Overheat Prevention Device, Lightning Protection Device, Freeze Protection
- **Additional Features** - Temperature Lockout, High Elevation Adjustment
- **12-Year* Limited Heat Exchanger Warranty for Residential Use**
- **5-Year Limited Parts Warranty**
- **1-Year Reasonable Labor**
- **Approvals** - CSA, UPC**, NSF, Low NOx Approved By SCAQMD (Rule 1146.2), Suitable for Installation in a Manufactured (Mobile) Home***



This model is eligible for the Federal tax credit of up to 30% of the water heater and installation costs (up to \$1,500) when installed in a residence between 1/1/2010 through 12/31/2010

Model

NR98 - _____

- SV (Standard Vent)
- OD (Outdoor Vent)
- DVC (Concentric Direct Vent)
- DVC-CA (Concentric Direct Vent for Canada)

Accessories

- Outdoor Vent Cap for SV Model (#VC-4-1)
- Isolator Valves (#IK-WV-7)
- Pipe Cover for SV/OD Model (#PC-2S)
- Pipe Cover for DVC Model (#PC-5S)
- Recess Box for OD Model (#RB-700)
- Quick Connect Cord (#QC-1)

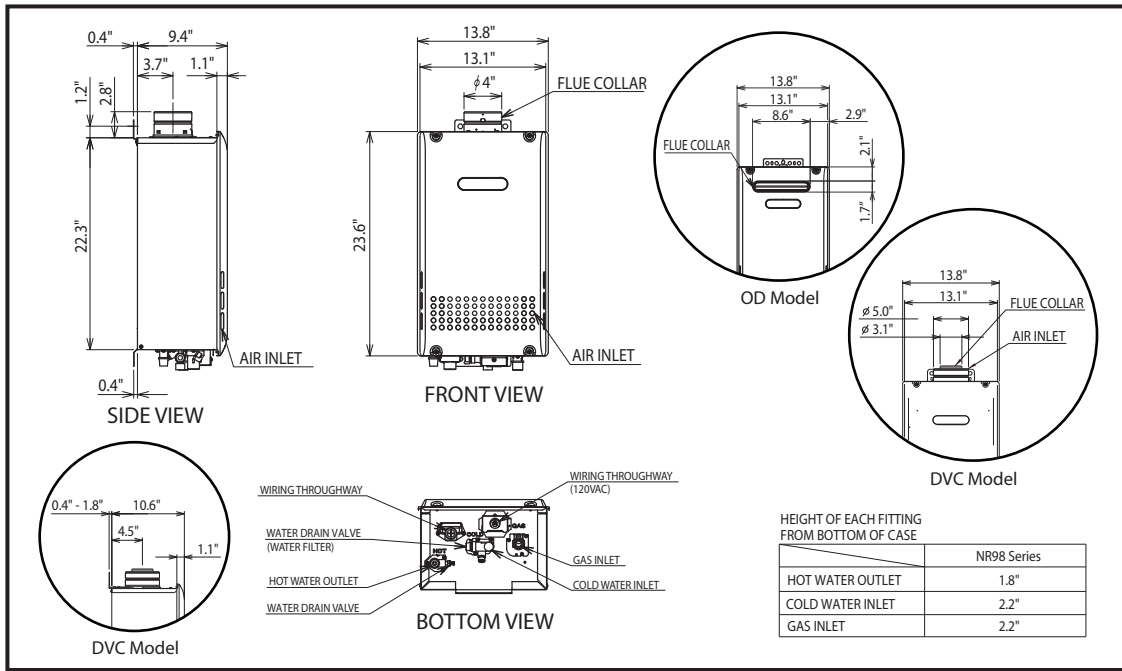


* Heat Exchanger warranty is maintained at 12 years or 6500 operational hours, whichever occurs first, when used in a single family dwelling in conjunction with a controlled recirculation system (an aquastat being the minimum pump control requirement) in accordance with the Installation Manual. Refer to the Noritz Limited Warranty for complete coverage details

** This product complies with California AB 1953 Low Lead Law

*** Manufactured (Mobile) Home approval is valid for OD or DVC models only

Dimensions

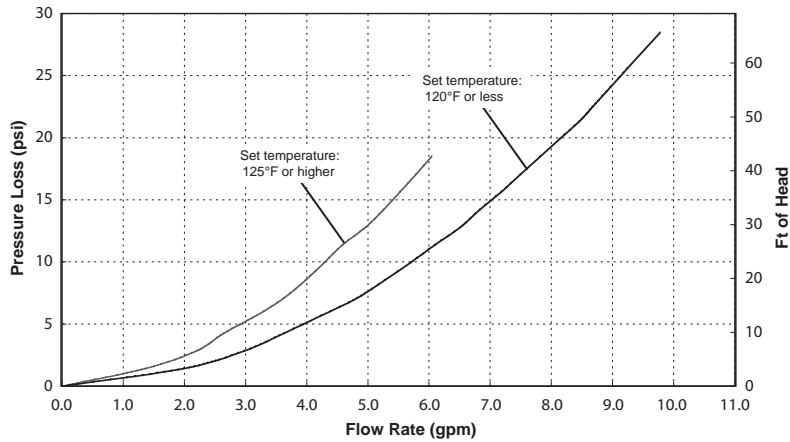


Flow Rates

Temperature Rise (°F)	30	40	45	50	60	70	80	90	100
Flow Rate (GPM)	9.8	8.4	7.5	6.7	5.6	4.8	4.2	3.7	3.4

For peak flow rates in shaded areas, contact Noritz for proper setting

Pressure Loss



Specifications

Model Name		NR98-SV	NR98-OD	NR98-DVC
Weight		47 (pounds)		
Water Holding Capacity		0.2 Gallon		
Connection Sizes	Water Inlet	3/4"		
	Hot Water Outlet	3/4"		
	Gas Inlet	3/4"		
Power	Supply	120VAC (60Hz), less than 2 amperes		
	Consumption	NG: 62W LP: 75W Freeze Prevention 145W	NG: 64W LP: 77W Freeze Prevention 145W	NG: 85W LP: 100W Freeze Prevention 161W
Freeze Protection		Indoor: -30°F Outdoor: -4°F	Outdoor: -4°F	Indoor: -30°F
Temperature Settings		100-150°F (In 5°F intervals), 160°F, 170°F, *180°F (14 Options)		
Default Temperature Options		120, 130, 140, *180°F (Default is 120°F)		

*181.4°F actual output temperature