

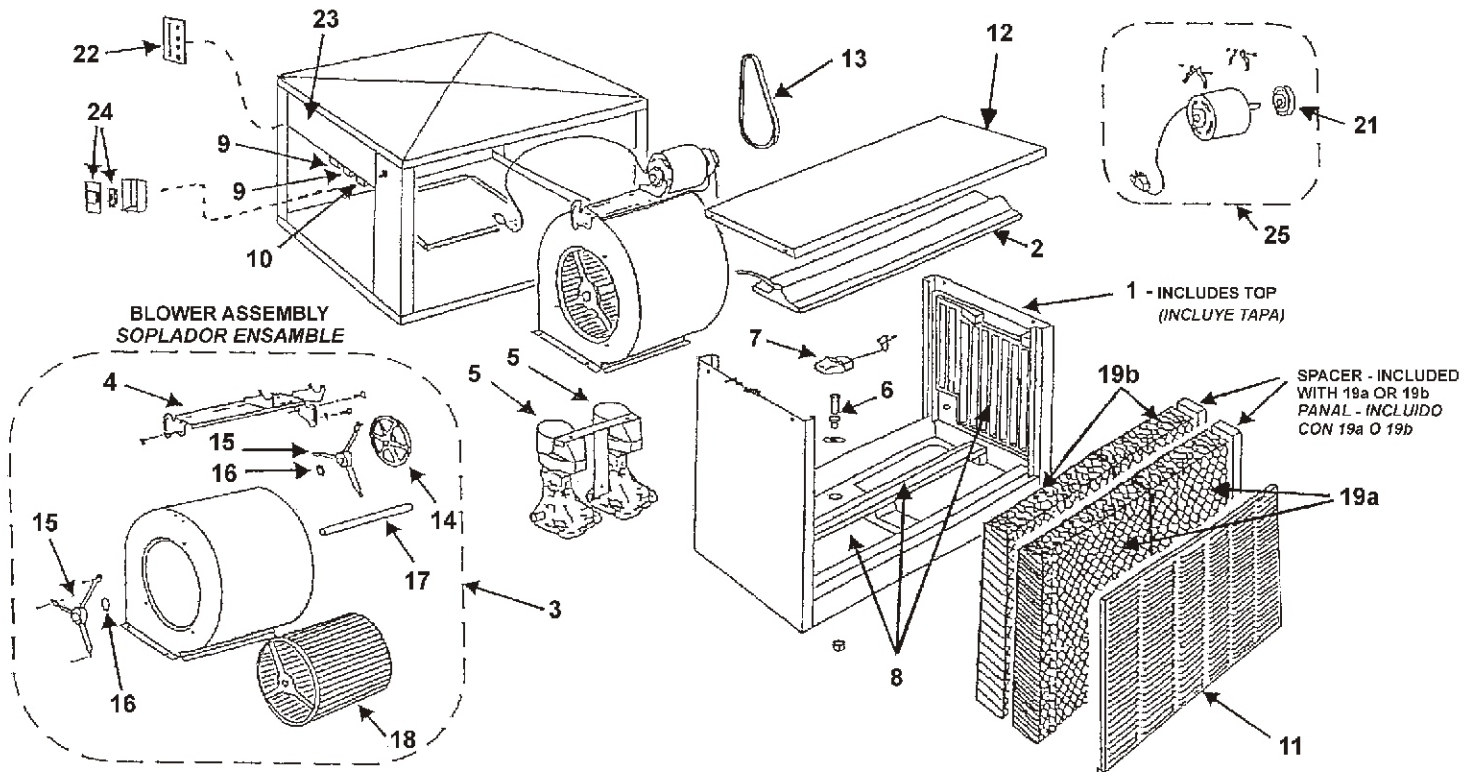
Aerocool Pro Series Evaporative Coolers - Replacement Parts List

Aerocool Pro Series Enfriador Evaporativo - Lista Reemplazo de Partes

	Replacement Part	Parte de Reemplazo	PD4801A	PD4231A	PH4801A	PH4231A	PD6801A	PD6231A	PH6801A	PH6231A
1	Wet Section (Cabinet)	Sección Húmeda (Gabinete)	5-1-47	5-1-47	5-1-47	5-1-47	5-1-46	5-1-46	5-1-46	5-1-46
2	Water Distributor Assy.	Distribuidor de Agua	5-6-54	5-6-54	5-6-54	5-6-54	5-6-54	5-6-54	5-6-54	5-6-54
3	Blower Assy - Complete	Soplador Ensamble	5-3-67	5-3-67	5-3-68	5-3-68	5-3-69	5-3-69	5-3-70	5-3-70
4	Motor Mount	Montadura del Motor	5-3-85	5-3-85	5-3-85	5-3-85	5-3-86	5-3-86	5-3-86	5-3-86
5	Pump	Bomba	5-6-34	5-6-57	5-6-34	5-6-57	5-6-34	5-6-57	5-6-34	5-6-57
6	Overflow Standpipe Kit	Tubo de Rebosadero	5-6-5	5-6-5	5-6-5	5-6-5	5-6-5	5-6-5	5-6-5	5-6-5
7	Float Valve Assembly	Válvula Flotador	5-6-1	5-6-1	5-6-1	5-6-1	5-6-1	5-6-1	5-6-1	5-6-1
8	Plastic Liner & Tray	Revestidor y Soporte	5-6-162	5-6-162	5-6-162	5-6-162	5-6-161	5-6-161	5-6-161	5-6-161
9	Pump Receptacle	Receptáculo de Bomba	5-7-60	5-7-70	5-7-60	5-7-70	5-7-60	5-7-70	5-7-60	5-7-70
10	Motor Receptacle	Receptáculo de Motor	5-7-61	5-7-71	5-7-61	5-7-71	5-7-61	5-7-71	5-7-61	5-7-71
11	Louver Inlet Panel	Panal de Entrada con Rejillas	5-1-49	5-1-49	5-1-49	5-1-49	5-1-48	5-1-48	5-1-48	5-1-48
12	Wet Section Top	Tapa Sección Húmeda	5-1-67	5-1-67	5-1-67	5-1-67	5-1-67	5-1-67	5-1-67	5-1-67
13	Belt	Banda	5-3-26	5-3-26	5-3-27	5-3-27	5-3-25	5-3-25	5-3-73	5-3-73
14	Blower Pulley	Polea Impulsa Turbina	5-3-71	5-3-71	5-3-71	5-3-71	5-3-72	5-3-72	5-3-72	5-3-72
15	Bearing Assy (set of 2)	Chumaceras (juego de 2)	5-3-38	5-3-38	5-3-38	5-3-38	5-3-39	5-3-39	5-3-39	5-3-39
16	Leather Washer (12 pcs)	Arandela de Vaqueta (12 pzs)	5-3-8	5-3-8	5-3-8	5-3-8	5-3-8	5-3-8	5-3-8	5-3-8
17	Shaft	Eje	5-3-2	5-3-2	5-3-2	5-3-2	5-3-3	5-3-3	5-3-3	5-3-3
18	Blower Wheel	Turbina	5-3-35	5-3-35	5-3-35	5-3-35	5-3-36	5-3-36	5-3-36	5-3-36
19a	Pad Media - High Density	Panal - Alta Densidad	5-2-117	5-2-117	5-2-117	5-2-117	5-2-115	5-2-115	5-2-115	5-2-115
19b	Pad Media - Low Density	Panal - Baja Densidad	5-2-118	5-2-118	5-2-118	5-2-118	5-2-116	5-2-116	5-2-116	5-2-116
20	Winterization Panel *	Cobierta para el Invierno *	ACWC48	ACWC48	ACWC48	ACWC48	ACWC68	ACWC68	ACWC68	ACWC68
21	Motor Sheave	Polea Motriz	5-3-129	5-3-129	5-3-129	5-3-129	5-3-30	5-3-30	5-3-30	5-3-30
22	Thermostat (wall)	Termostato (de Pared)	5-7-104	5-7-104	5-7-104	5-7-104	5-7-104	5-7-104	5-7-104	5-7-104
23	Control Box Assembly (with Receptacles)	Ensamble Caja de Control (con Receptáculos)	5-7-107	5-7-108	5-7-107	5-7-108	5-7-105	5-7-106	5-7-105	5-7-106
24	Disconnect Switch & Cover	Interruptor y Cubrieta	5-7-64	5-7-75	5-7-64	5-7-75	5-7-64	5-7-75	5-7-64	5-7-75
25	Motor Kit	Juego de Motor	MK42C	MK45C	MK42C	MK45C	MK46C	MK47C	MK46C	MK47C

* - NOT SHOWN

* - NO ILLUSTRADO



DOWN DISCHARGE SHOWN, SIDE DISCHARGE SIMILAR
DESCARGA de ABAJO ILLUSTRADO, DESCARGA de LADO SIMILAR