

REPLACEMENT PARTS LIST

**RG1D SERIES GAS FURNACE & RO1 SERIES OIL FURNACE
DIRECT VENT, FORCED AIR FOR MANUFACTURED HOUSING**



**RG1D Gas Furnace &
RO1D Oil Furnace with coil**



**RG1D Series Gas Furnace
Without Coil**

RG1D SERIES GAS FURNACES

ITEM	DESCRIPTION	RG1D56(*3)	RG1D70(*3)	RG1D77(*3)	RG1D90(*3)	RG1D56N4	RG1D70N4	RG1D77N4	RG1D90N4
1	LOUVERED DOOR (WHITE)	903407	903407	903407	903407	903407	903407	903407	903407
2	COIL DOOR (WHITE)	903094	903094	903094	903094	903094	903094	903094	903094
3	PAWL LATCH	618107	618107	618107	618107	618107	618107	618107	618107
4	FASTENER, PAWL LATCH	606317	606317	606317	606317	606317	606317	606317	606317
5	DOOR STRIKE	668905	668905	668905	668905	668905	668905	668905	668905
6	DOOR LATCH (NOT SHOWN)	668420	668420	668420	668420	668420	668420	668420	668420
7	AIR FILTER	669064	669064	669064	669064	669064	669064	669064	669064
8	FILTER RETAINER WIRE	669065	669065	669065	669065	669065	669065	669065	669065
9	CONTROL BOX	386720	386720	386720	386720	386720	386720	386720	386720
10	CONTROL BOX COVER	264840	264840	264840	264840	264840	264840	264840	264840
11	ON/OFF SWITCH	632337	632337	632337	632337	632337	632337	632337	632337
12	BURNER SPUD (NOT SHOWN)	663699	663699	663699	663699	663699	663699	663699	663699
13	TRANSFORMER	621807	621807	621807	621807	621807	621807	621807	621807
14	AIR PIPE	387210	387210	387210	387210	387210	387210	387210	387210
15	PRESSURE SWITCH	632676	632676	632676	632676	632676	632676	632676	632676
16	COMBUSTION BLOWER ASSY.	903404	903404	903404	903404	903404	903404	903404	903404
17	SHELF DIVIDER	355050	355050	355050	355050	355050	355050	355050	355050
18	FLANGE, AIR ORIFICE	263871	263872	263873	263875	263871	263872	263873	263875
19	LOWER AIR BOX	D06121	D06123	D06125	D06127	D06129	D06131	D06133	D06135
20	CLOSE-OFF SHELF	385280	385280	385280	385280	385280	385280	385280	385280
21	BURNER (LESS ORIFICE)	903406	903406	903406	903406	903406	903406	903406	903406
22	PLATE, ENTRY-GAS	383610	383610	383610	383610	383610	383610	383610	383610
23	GASKET KIT (NOT SHOWN)	730534	730534	730534	730534	730534	730534	730534	730534
24	LIMIT, AUXILIARY	626472	626472	626472	626472	626472	626472	626472	626472
26	LIMIT, AIR TEMPERATURE	626469	626469	626469	626469	626469	626469	626469	626469
28	INTEGRATED CONTROL	903429	903429	903429	903429	903429	903429	903429	903429
29	HEAT EXCHANGER	903418	903419	903419	903420	903418	903419	903419	903420
30	BLOWER DECK	495380	495380	495380	495380	495380	495380	495380	495380
31	AIR CASING	265010	265010	265010	265010	265010	265010	265010	265010
32	UPPER PARTITION	387220	387220	387220	387220	387220	387220	387220	387220
33	RIGHT CLOSE-OFF PLATE	355490	355490	355490	355490	355490	355490	355490	355490
34	LEFT CLOSE-OFF PLATE	355480	355480	355480	355480	355480	355480	355480	355480
35	BLOWER ASSEMBLY	903773	903773	903773	903773	903413	903413	903413	903413
36	CAPACITOR	622545	622545	622545	622545	622545	622545	622545	622545
37	CAPACITOR STRAP	285934	285934	285934	285934	285934	285934	285934	285934
38	BLOWER MOTOR	903774	903774	903774	903774	903433	903433	903433	903433
39	BLOWER WHEEL	667037	667037	667037	667037	337258	337258	337258	337258
40	GAS VALVE (HONEYWELL)	624610	624610	624610	624610	624610	624610	624610	624610
41	NATURAL GAS ORIFICE (NOT SHOWN)	661029	661024	661021	661017	661029	661024	661021	661017
42	LP GAS ORIFICE (NOT SHOWN)	661045	661042	661040	661036	661045	661042	661040	661036
43	VALVE SUPPORT (HONEYWELL)	386460	386460	386460	386460	386460	386460	386460	386460
44	IGNITOR	632313	632313	632313	632313	632313	632313	632313	632313
45	SHIELD, INSULATION	264542	264542	264542	264542	264542	264542	264542	264542
46	H'WELL ELBOW ASSY (NOT SHOWN)	624612	624612	624612	624612	624612	624612	624612	624612
47	OBSERVATION DOOR ASSY.	264080	264080	264080	264080	264080	264080	264080	264080
48	MOTOR MOUNT KIT (4 TON UNIT)	—	—	—	—	903489	903489	903489	903489
49	FUSE, 3A (NOT SHOWN)	632261	632261	632261	632261	632261	632261	632261	632261

Please specify the correct Model No., Serial No, and part number(s) when ordering parts from the nearest authorized dealer or service center.

RG1D Gas Furnace Component Location

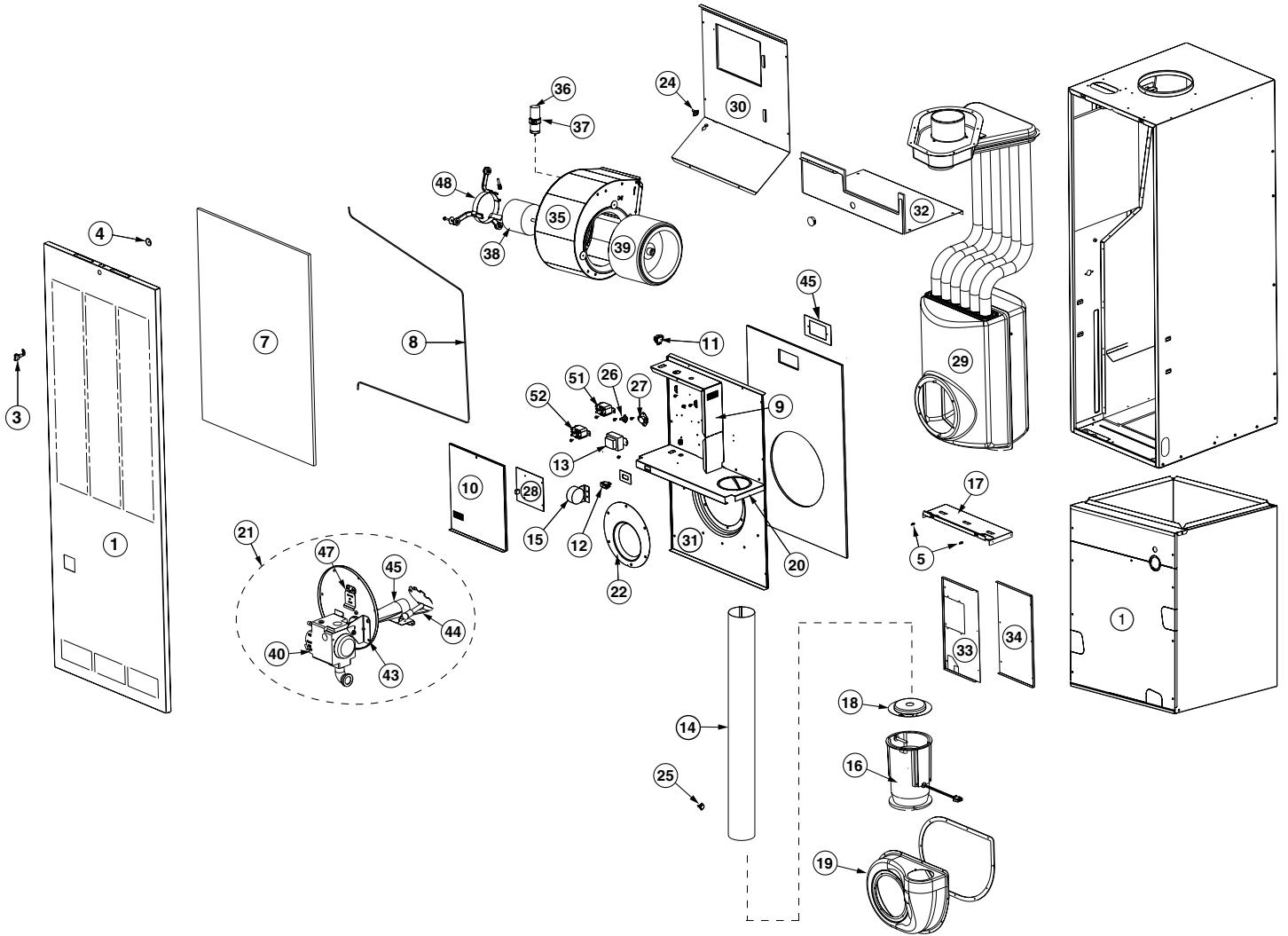


Figure 1. RG1D Exploded View

RO1 SERIES OIL FURNACES

ITEM	DESCRIPTION	RO1D66C3	RO1D86C3
1	LOUVERED DOOR (WHITE)	903407	903407
2	COIL DOOR (WHITE)	903094	903094
3	PAWL LATCH	618107	618107
4	FASTENER, PAWL LATCH	606317	606317
5	DOOR STRIKE	668905	668905
6	DOOR LATCH (NOT SHOWN)	668420	668420
7	AIR FILTER	669064	669064
8	FILTER RETAINER WIRE	669065	669065
9	CONTROL BOX	156490	156490
10	CONTROL BOX COVER	264790	264790
11	ON/OFF SWITCH	632337	632337
12	TRANSFORMER	621807	621807
13	AIR PIPE (NOT SHOWN)	386542	386542
14	SHELF DIVIDER	355050	355050
15	CLOSE-OFF SHELF	385280	385280
16	GASKET KIT (NOT SHOWN)	730534	730534
17	LIMIT, AUXILIARY (NOT SHOWN)	626472	626472
18	LIMIT, AIR TEMP.	626469	626469
19	SWITCH, FAN CONTROL	626468	626468
20	HEAT EXCHANGER (NOT SHOWN)	903422	921144
21	BLOWER DECK (NOT SHOWN)	495380	495380
22	AIR CASING	265020	265020
23	UPPER PARTITION (NOT SHOWN)	387220	387220
24	RIGHT CLOSE-OFF PLATE	355490	355490
25	LEFT CLOSE-OFF PLATE	355480	355480
26	BLOWER ASSEMBLY	903773	903773
27	CAPACITOR	622545	622545
28	CAPACITOR STRAP	285934	285934
29	BLOWER MOTOR	903774	903774
30	BLOWER WHEEL	667037	667037
31	BLOWER RELAY	621867	621867
32	FLEXIBLE HOSE	664216	664216
33	HOSE CLAMP (2)	606208	606208
34	COMBUSTION CHAMBER	903423	903423
35	PLATE, BURNER	383690	383690
36	RING, CHAMBER	383600	383600
37	REDUCER COUPLING	669063	669063
38	BRACKET, CHAMBER	383720	383720
39	SHIELD, INSULATION	264541	264541
40	BURNER (CONVERSION)	903945	903946
41	FUSE, 3A (NOT SHOWN)	632261	632261

Please specify the correct Model No., Serial No, and part number(s) when ordering parts from the nearest authorized dealer or service center.

CONVERSION KITS

CONVERSION TYPE	MODEL	PART NO.
GAS TO OIL BURNER CONVERSION*	066	903945
GAS TO OIL BURNER CONVERSION*	086	903946
OIL TO GAS BURNER CONVERSION	066	903426
OIL TO GAS BURNER CONVERSION	086	903427

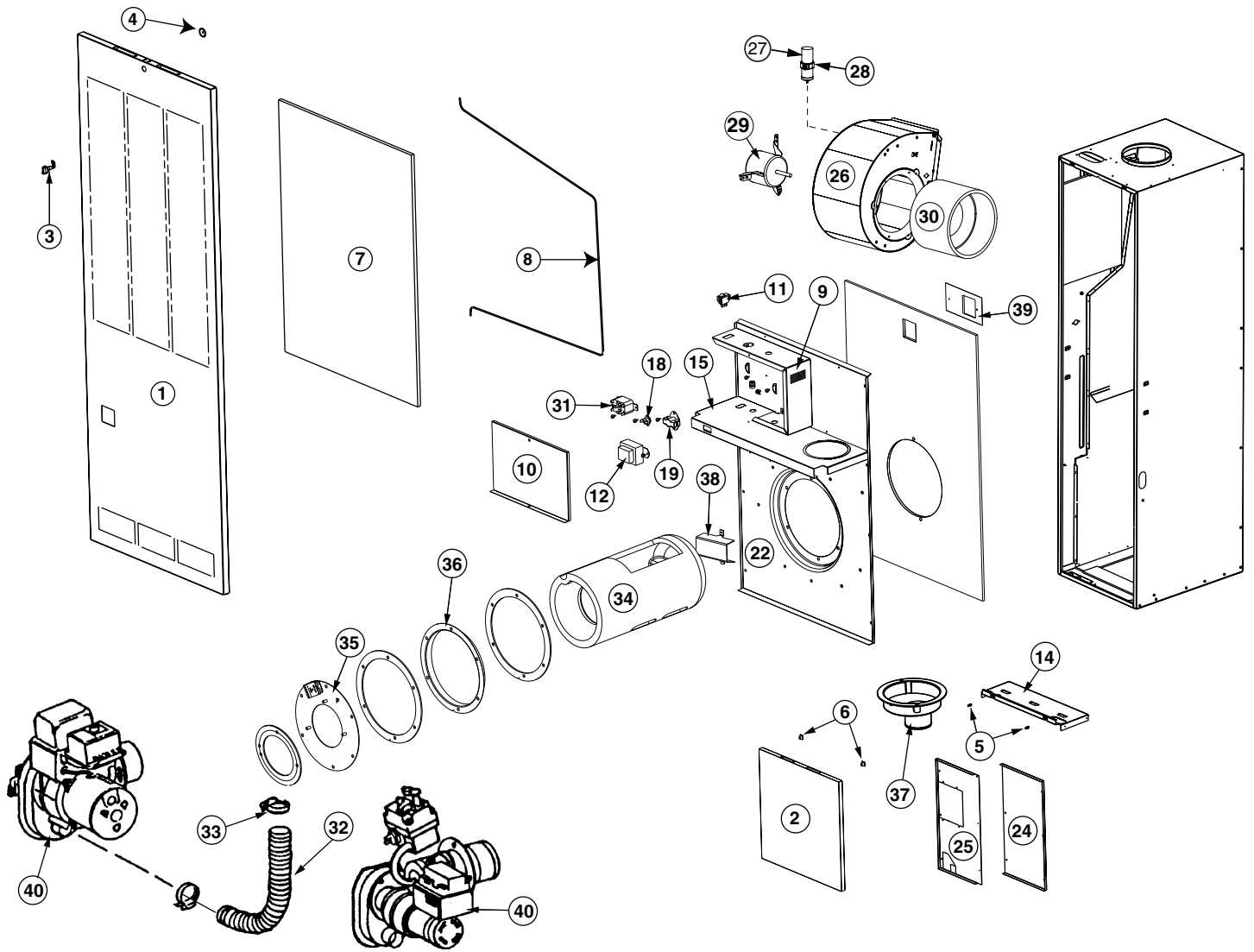


Figure 2. RO1D Exploded View

RO1 Oil Furnace

ITEM NO	PART NUMBER	DESCRIPTION	PART QTY	ITEM NO	PART NUMBER	DESCRIPTION	PART QTY
1	621945	MOTOR	1	14	660928	INLET AIR BOX ASSEMBLY	1
2	660591	MOUNTING BOX	1	15	660915	GASKET KIT (INLET BOX)	1
3	624647	PRIMARY CONTROL -HW, 74564	1	16	660918	AIR TUBE ASSEMBLY	1
	624284	PRIMARY CONTROL -WR	1	17	660468	BURNER HEAD (66 & 86), F3 HEAD	1
4	621943R	TRANSFORMER, 517714	1	18	660916	GUN DRAWER ASSEMBLY	1
5	660914	GASKET KIT (TRANSFORMER)	1	19	660917	ELECTRODE KIT	1
6	660282	BURNER HOUSING ASSY	1	20	660059	NOZZLE ADAPTER	1
7	660592	ESCUTCHEON PLATE	1	21	660606	NOZZLE 66	1
8	660593	LOCKNUT	1		660605	NOZZLE 86	1
9	660594	OIL LINE KIT	1	22	660601	POWER CORD	1
10	622090	FUEL PUMP (CLEANCUT)	1	23	660048	BLOWER WHEEL	1
11	624648	SOLENOID VALVE KIT	1	24	660602	FLAME DETECTOR-WR	1
12	660595	STREET ELBOW	1		660603	FLAME DETECTOR-HW	1
13	660596	COUPLING	1				

