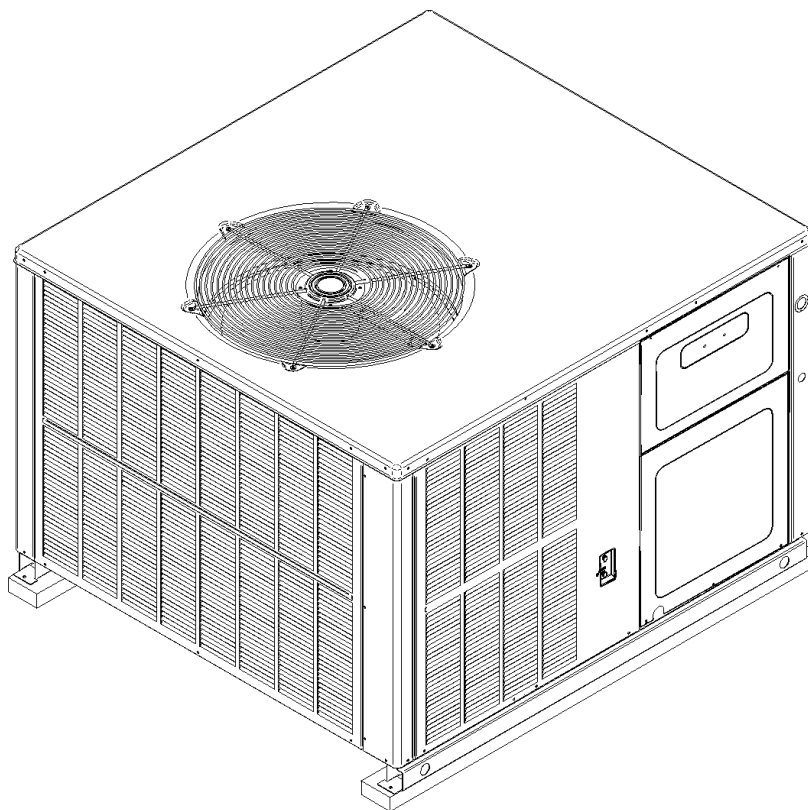


REPAIR PARTS

GPH13 "M" Series Horizontal Package Heat Pumps

GPH1324M21AA
GPH1324M21AB
GPH1330M21AA
GPH1330M21AB
GPH1336M21AA
GPH1336M21AB
GPH1348M21AA
GPH1348M21AB
GPH1360M21AA
GPH1360M21AB



This manual is to be used by qualified technicians only.

This manual replaces RP-396D.

© 2006-2009 Goodman Manufacturing Company, L.P. ♦ 5151 San Felipe, Suite 500 ♦ Houston, TX 77056

Important Information

Index

Functional Parts List	3
Illustration and Parts	4 - 11

Views shown are for parts illustrations only, not servicing procedures.

Rev. D: Added model GPH1330M21AB.

Rev. E: Added models GPH1336M21AB and GPH1348M21AB.

7/11/08: Added note regarding factory installed duct covers (p. 5).

Changed reversing valve p/n from B1227317S to B1227318S.

Text Codes:

AR - As Required

NA - Not Available

NS - Not Shown

00000000 - See Note

QTY - Quantity Example (QTY 3) (If Quantity not shown, Quantity = 1)

M - Model Example (M1) (If M Code not shown, then part is used on all Models)

Expanded Model Nomenclature:

Example
M1 - Model#1
M2 - Model#2
M3 - Model#3

Goodman Manufacturing Company, L.P. is not responsible for personal injury or property damage resulting from improper service. Review all service information before beginning repairs.

Warranty service must be performed by an authorized technician, using authorized factory parts. If service is required after the warranty expires, Goodman Manufacturing Company, L.P. also recommends contacting an authorized technician and using authorized factory parts.

Goodman Manufacturing Company, L.P. reserves the right to discontinue, or change at any time, specifications or designs without notice or without incurring obligations.

For assistance within the U.S.A. contact:

Consumer Affairs Department

Goodman Manufacturing Company, L.P.

7401 Security Way

Houston, Texas 77040

877-254-4729-Telephone

713-863-2382-Facsimile

For assistance outside the U.S.A. contact:

International Division

Goodman Manufacturing Company, L.P.

7401 Security Way

Houston, Texas 77040

713-861-2500-Telephone

713-863-2382-Facsimile

Functional Parts

Part

No: Description:

Part No:	Description:	Part No:	Description:
0130M00014	240 VOLT RELAY (M1, M2, M3, M4, M5, M6)	B10259251	GOODMAN LABEL
11119203S	BLOWER MOTOR (M5, M6)	IO-312E	INSTALLATION INSTRUCTIONS
0231K00044	BLOWER MOTOR 1 HP PROGRAMMED X13 (M9, M10)	RP-396E	REPAIR PARTS MANUAL
0131M00062	BLOWER MOTOR 1/3 HP, 3 SP, 6 PL (M3, M4)	IO-673A	SUPPLEMENT TO HKR KIT INSTALL INSTRUCTIONS
11091207S	BLOWER MOTOR 1/4 HP, 3 SP, 8 PL (M1, M2)	B1757910	SUPPLEMENTAL INSERT (EBTDR)
0231K00043	BLOWER MOTOR 3/4 HP PROGRAMMED X13 (M7, M8)	0259G00005	WIRE HARNESS, ELECTRIC HEAT (M1, M2, M3, M4, M5, M6)
PCBFM131	BOARD, ELECTRONIC BLOWER TIME DELAY RELAY (M1, M2, M3, M4, M5, M6)	0259G00003	WIRE HARNESS, ELECTRIC HEAT (M7, M8, M9, M10)
CAP100000370VAS	CAPACITOR 10/370V [BLOWER] (M1, M2, M3, M4)	Expanded Model Nomenclature	
CAP150000370VAS	CAPACITOR 15/370V (M5, M6)		
CAP050350440RSS	CAPACITOR 5/35/440V (M1)	M1 - GPH1324M21AA	
CAP050350440RSS	CAPACITOR 5/35/440V [CONTROL BOX] (M2)	M2 - GPH1324M21AB	
CAP050450370RSS	CAPACITOR 5/45/370V [CONTROL BOX] (M3, M4, M5, M6)	M3 - GPH1330M21AA	
CAP050600440RTS	CAPACITOR 5/60/440V (M7, M8)	M4 - GPH1330M21AB	
CAP050800440RTS	CAPACITOR 5/80/440V (M9, M10)	M5 - GPH1336M21AA	
ZR22K4PFV930	COMPRESSOR 22000, 208/230/60/1 (M1, M2)	M6 - GPH1336M21AB	
ZR28K3PFV930	COMPRESSOR 28500, 208/230/60/1 (M3, M4)	M7 - GPH1348M21AA	
ZR32K3PFV930	COMPRESSOR 32600, 208/230/60/1 (M5, M6)	M8 - GPH1348M21AB	
ZR42K3PFV930	COMPRESSOR 42800, 208/230/60/1 (M7, M8)	M9 - GPH1360M21AA	
ZR54K3PFV930	COMPRESSOR 55000, 208/230/60/1 (M9, M10)	M10 - GPH1360M21AB	
0131M00008PS	COND MOTOR 1/3 HP, 1 SP, 6 PL (M7, M9)		
0131M00007PS	COND MOTOR 1/4 HP, 1 SP, 6 PL (M1, M3, M5, M8, M10)		
0131M00014PS	COND MOTOR 1/4 HP, 1 SP, 8 PL (M2, M4, M6)		
CONT2P025024VS	CONTACTOR 25 AMP, 2P, 24V (M1, M2, M3, M4, M5, M6)		
CONT2P040024VS	CONTACTOR 40 AMP, 2P, 24V (M7, M8, M9, M10)		
PCBDM130	DEFROST CONTROL BOARD		
0130M00009P	DEFROST THERMOSTAT OPEN 60°, CLOSE 34°		
B1141643	TRANSFORMER 208/230, 24V		

SPECIAL PARTS

Cabinet Assembly

Image 1

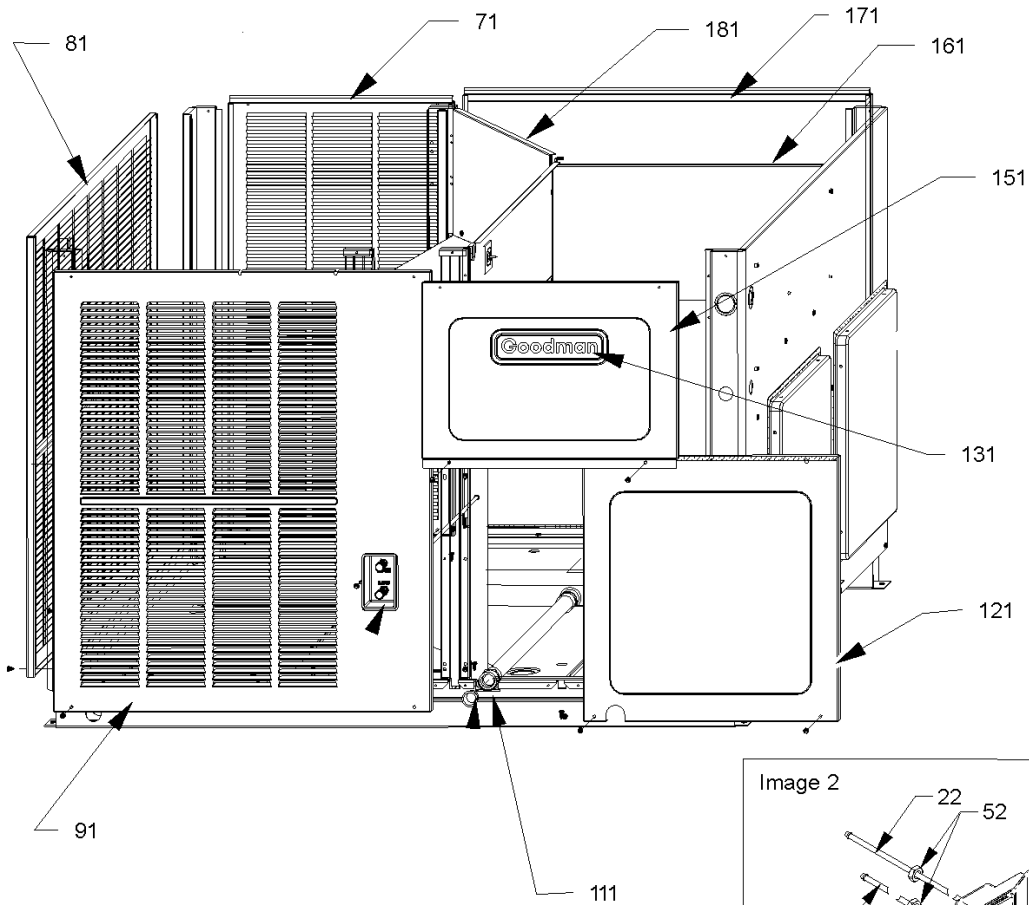
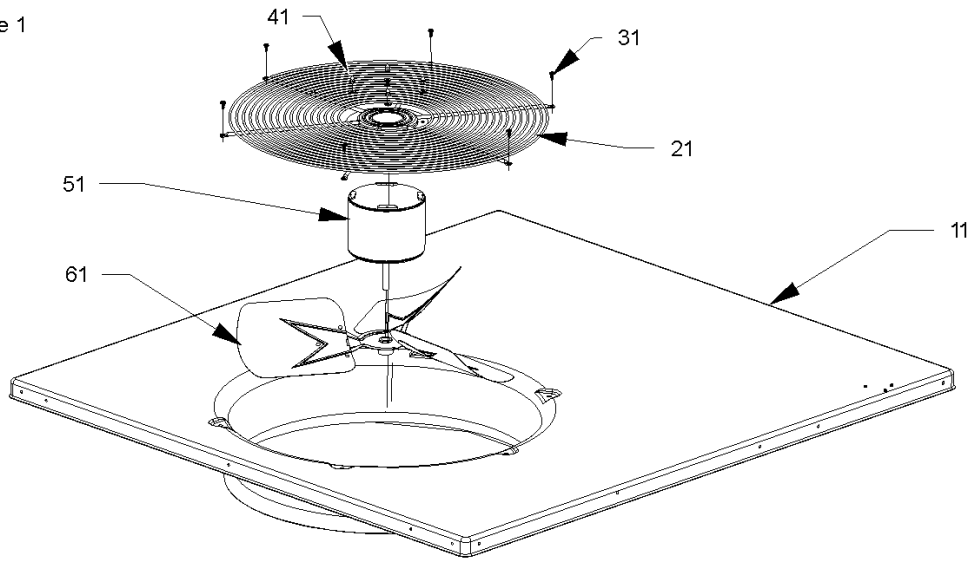
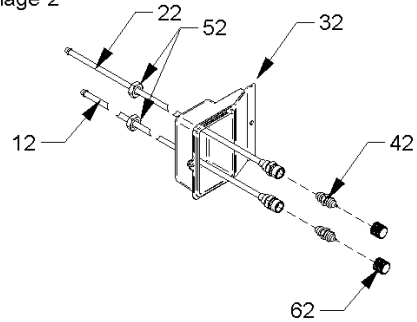


Image 2



Cabinet Assembly

Ref. Part No:	Ref. Part No:	Description:	Description:		
<i>Image 1:</i>		<i>Image 2:</i>			
11	20466001PDGS	TOP PANEL	22	0210G00030P	PROCESS TUBE ASSY-LIQUID (M1, M2, M3, M4, M5, M6)
21	0152G00002S	FAN GRILLE (M1, M2, M3, M4, M5, M7, M9)	22	0210G00031P	PROCESS TUBE ASSY-SUCTION (M7, M8, M9, M10)
21	0152G00000S	RAISED FAN GRILLE (M6, M8, M10)	32	0161G00001P	ACCESS FITTING BOX
31	M0221817	SMALL SCREW (QTY 6)	42	B1373315	ACCESS FITTING (QTY 2)
41	0163M00006P	ACORN NUT 5/16 HEX BLACK (QTY 4)	52	0163G00000P	FASTEST FITTING NUT (QTY 2)
51	0131M00008PS	COND MOTOR 1/3 HP, 1 SP, 6 PL (M7, M9)	62	B9102097	CAP W/O-RING (QTY 2)
51	0131M00007PS	COND MOTOR 1/4 HP, 1 SP, 6 PL (M1, M3, M5, M8, M10)	Expanded Model Nomenclature		
51	0131M00014PS	COND MOTOR 1/4 HP, 1 SP, 8 PL (M2, M4, M6)	M1 - GPH1324M21AA M2 - GPH1324M21AB M3 - GPH1330M21AA M4 - GPH1330M21AB M5 - GPH1336M21AA M6 - GPH1336M21AB M7 - GPH1348M21AA M8 - GPH1348M21AB M9 - GPH1360M21AA M10 - GPH1360M21AB		
61	0150G00001S	FAN BLADE (M7, M9)	Effective July 2008 (serial codes 0807), single phase units will no longer be factory shipped with horizontal duct covers. For downshot applications, contact your local Goodman distributor.		
61	B1086773S	FAN BLADE 22" (M1, M3, M5)			
61	0150M00008S	FAN BLADE 22" TNT2203-25 (M2, M4)			
61	0150M00011S	FAN BLADE SWEPT-WING (M8, M10)			
61	B1086765S	FAN BLADE TYPE 3 (M6)			
71	20467701PDGS	LOUVERED PANEL, COND SIDE 32" (M1, M2, M3, M4, M5, M6)			
71	20467702PDGS	LOUVERED PANEL, COND SIDE 40" (M7, M8, M9, M10)			
81	20464401PDGS	LOUVERED PANEL, COND SIDE 32" (M1, M2, M3, M4, M5, M6)			
81	20464402PDGS	LOUVERED PANEL, COND SIDE 40" (M7, M8, M9, M10)			
91	0121G00144PDGS	LOUVERED PANEL 2 BANK 32.5", COMP SIDE (M3, M4)			
91	0121G00146PDG	LOUVERED PANEL 4 BANK 32.5", COMP SIDE (M1, M2, M5, M6)			
91	0121G00147PDG	LOUVERED PANEL 4 BANK 40", COMP SIDE (M7, M8, M9, M10)			
111	0261G00000	DRAIN PIPE			
121	0260G00023PS	INSULATED ASSY, BLOWER PANEL 32.5" (M1, M2, M3, M4, M5, M6)			
121	0260G00024PS	INSULATED ASSY, BLOWER PANEL 40" (M7, M8, M9, M10)			
131	B10259251	GOODMAN LABEL			
151	0121G00213DGS	CONTROL BOX PANEL			
161	0260G00027S	INSULATED ASSY, EVAP BLOCK-OFF 32" (M1, M2, M3, M4, M5, M6)			
161	0260G00028S	INSULATED ASSY, EVAP BLOCK-OFF 40" (M7, M8, M9, M10)			
171	0260G00025PS	INSULATED ASSY, BLOWER PANEL 32.5" (M1, M2, M3, M4, M5, M6)			
171	0260G00026PS	INSULATED ASSY, BLOWER PANEL 40" (M7, M8, M9, M10)			
181	0260G00022PS	INSULATED ASSY, FAN SHROUD			
NS	0210G00008P	PROCESS TUBING ASSY (M1, M2, M3, M4, M5, M6)			
NS	0210G00064	PROCESS TUBING ASSY (M7, M8, M9, M10)			
NS	17788000083F	PVC CONDUIT 8.25"			

Image 2:

12	0210G00031P	PROCESS TUBE ASSY-SUCTION
----	-------------	---------------------------

Tubing/Partition Panel/Compressor

Image 1

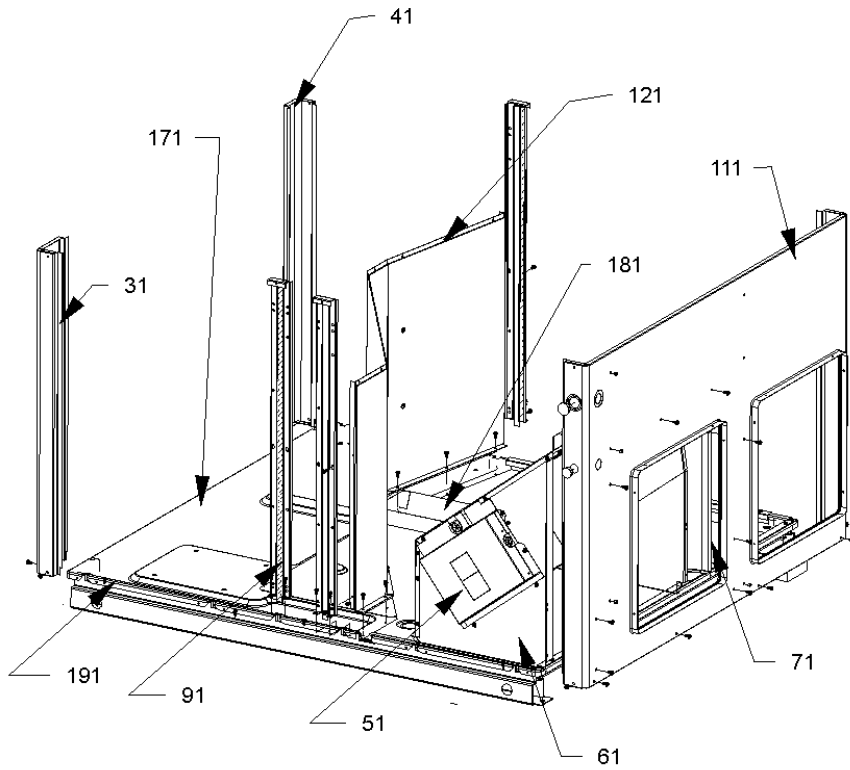
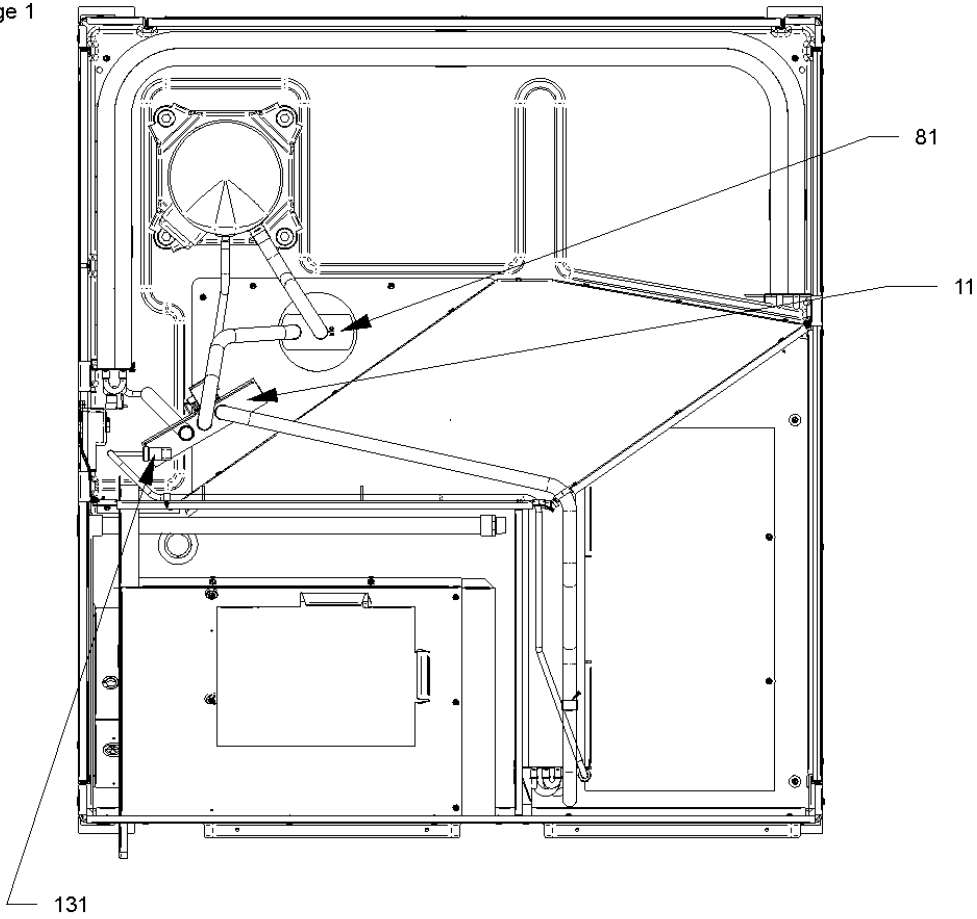
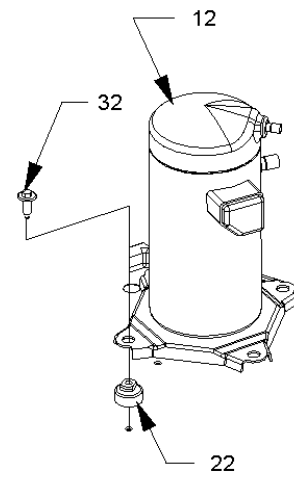


Image 2



Tubing/Partition Panel/Compressor

Ref. Part No:	No:	Description:	Ref. Part No:	No:	Description:
<i>Image 1:</i>			Expanded Model Nomenclature		
11	B1227316S	REVERSING VALVE (M1, M2, M3, M4)	M1	-	GPH1324M21AA
11	B1227318S	REVERSING VALVE (M5, M6, M7, M8, M9, M10)	M2	-	GPH1324M21AB
31	20464201PDGS	CORNER POST-COMP END 32" (M1, M2, M3, M4, M5, M6)	M3	-	GPH1330M21AA
31	20464202PDGS	CORNER POST-COMP END 40" (M7, M8, M9, M10)	M4	-	GPH1330M21AB
41	20464301PDGS	CORNER POST-HAIRPIN END 32" (M1, M2, M3, M4, M5, M6)	M5	-	GPH1336M21AA
41	20464302PDGS	CORNER POST-HAIRPIN END 40" (M7, M8, M9, M10)	M6	-	GPH1336M21AB
51	0121G00221	HEATER KIT COVER (QTY 2)	M7	-	GPH1348M21AA
61	0221G00014	BLOWER TRANSITION ASSY	M8	-	GPH1348M21AB
71	0121G00158	EVAP BLOCK-OFF 32.5" (M1, M2, M3, M4, M5, M6)	M9	-	GPH1360M21AA
71	0121G00159	EVAP BLOCK-OFF 40" (M7, M8, M9, M10)	M10	-	GPH1360M21AB
81	B1226206	ACCUMULATOR (M1, M2, M3, M4)			
81	B1226207	ACCUMULATOR .875 (M5, M6, M7, M8, M9, M10)			
91	0121G00208	SUPPORT POST 32" (M1, M2, M3, M4, M5, M6)			
91	0121G00209	SUPPORT POST 40" (M7, M8, M9, M10)			
111	0260G00018PS	INSULATED ASSY, DUCT 32.5" (M1, M2, M3, M4, M5, M6)			
111	0260G00019PS	INSULATED ASSY, DUCT 40" (M7, M8, M9, M10)			
121	0260G00020PS	INSULATED ASSY, PARTITION PANEL 32" (M1, M2, M3, M4, M5, M6)			
121	0260G00021PS	INSULATED ASSY, PARTITION PANEL 40 (M7, M8, M9, M10)			
131	B1360719	CUT-OUT SWITCH, LOW PRESSURE			
171	0121G00289	BASE PAN			
181	0161G00003	PLASTIC DRIP PAN			
191	0121G00290	BASE PAN RAIL (QTY 2)			
NS	B1219204	BI-FLOW FILTER DRIER			
NS	0121G00148	SINGLE COVER, DOWN DISCHARGE (QTY 2)			
NS	B1225022S	SOLENOID COIL, REVERSING VALVE			
<i>Image 2:</i>					
12	ZR22K4PFV930	COMPRESSOR 22000, 208/230/60/1 (M1, M2)			
12	ZR28K3PFV930	COMPRESSOR 28500, 208/230/60/1 (M3, M4)			
12	ZR32K3PFV930	COMPRESSOR 32600, 208/230/60/1 (M5, M6)			
12	ZR42K3PFV930	COMPRESSOR 42800, 208/230/60/1 (M7, M8)			
12	ZR54K3PFV930	COMPRESSOR 55000, 208/230/60/1 (M9, M10)			
22	B1339533	COMPRESSOR GROMMET (QTY 4)			
32	M0221641	TF SHOULDER SCREW (QTY 4)			
NS	0259G00063	COMPRESSOR HARNESS (M7, M8, M9, M10)			
NS	0259G00064	COMPRESSOR HARNESS (M1, M2, M3, M4, M5, M6)			

Coil/Evap Assy

Image 1

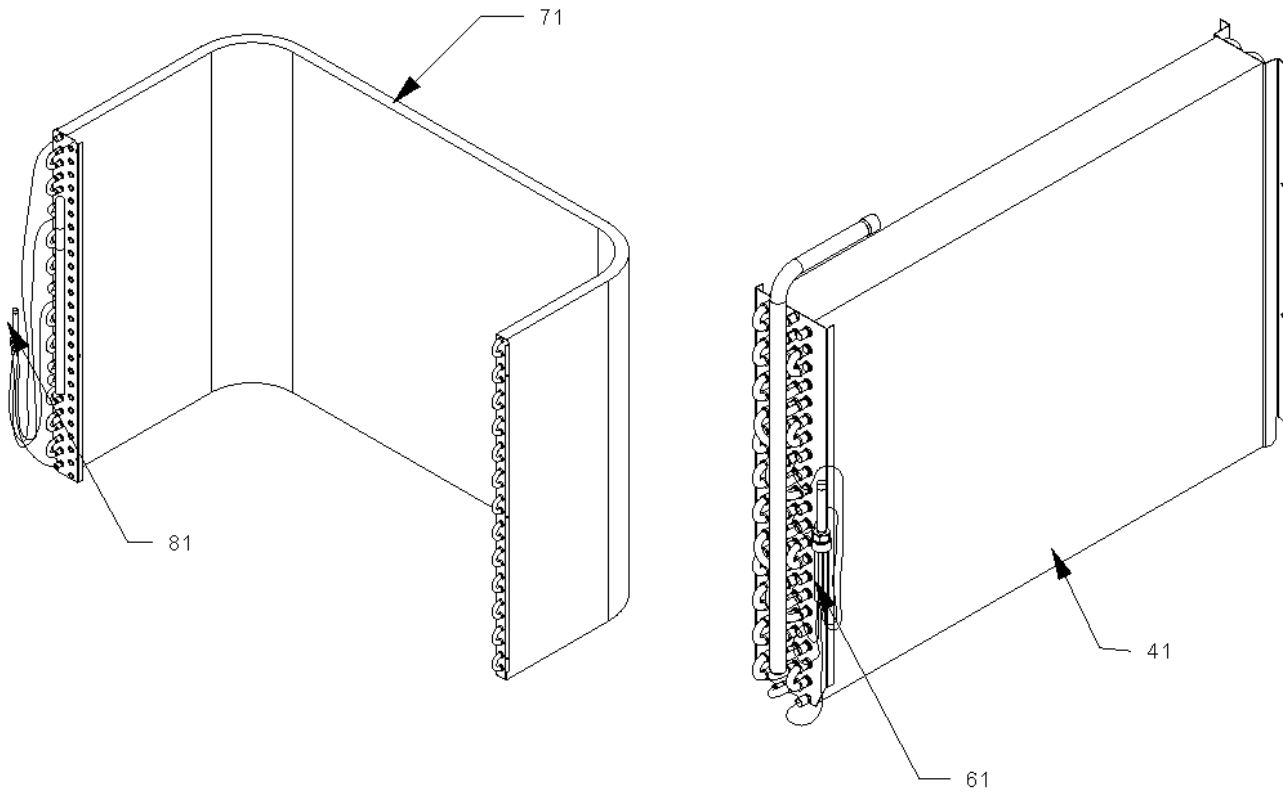
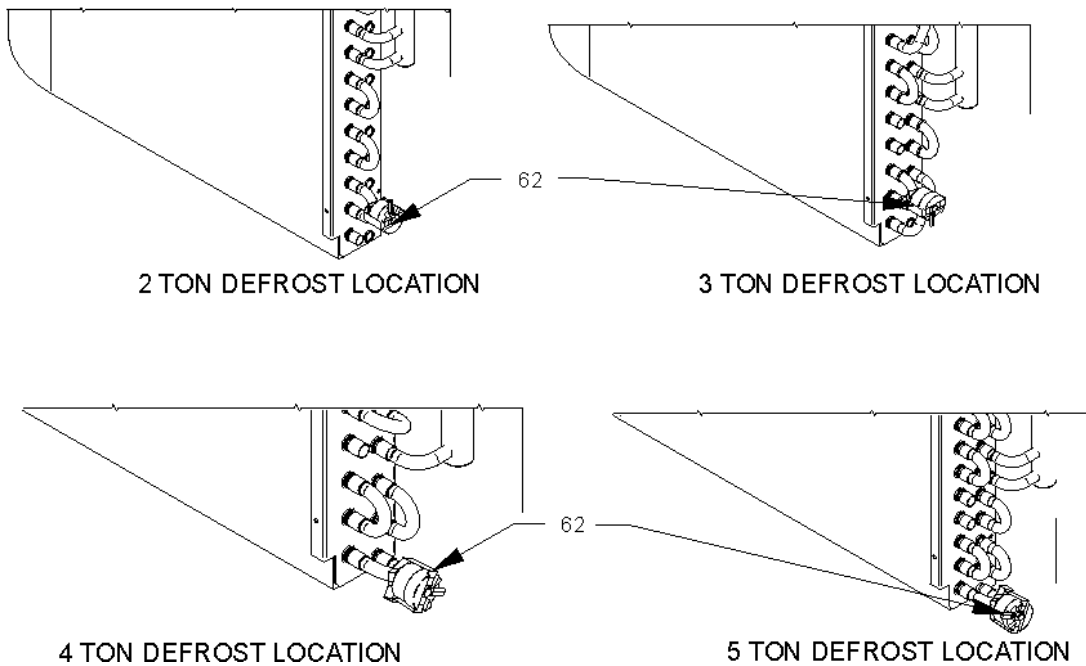


Image 2



Coil/Evap Assy

Ref. Part No: No:	Description:	Ref. Part No: No:	Description:
-------------------	--------------	-------------------	--------------

Image 1:

41	0202G00000P	TUBING ASSY, EVAP COIL (M9, M10)
41	0202G00001P	TUBING ASSY, EVAP COIL (M1, M2)
41	0202G00002P	TUBING ASSY, EVAP COIL (M5, M6)
41	0202G00003PS	TUBING ASSY, EVAP COIL (M7, M8)
41	0202G00106	TUBING ASSY, EVAP COIL (M3, M4)
61	B2114665	FLOWRATOR .065 [EVAP] (M1, M2)
61	B2114668	FLOWRATOR .068 [EVAP] (M3, M4)
61	0162M00011P	FLOWRATOR .073 [EVAP] (M5, M6)
61	B2114882	FLOWRATOR .082 [EVAP] (M7, M8)
61	0162M00048	FLOWRATOR .094 [EVAP] (M9, M10)
71	0201G00000PS	TUBING ASSY, COND COIL (M1, M2)
71	0201G00088S	TUBING ASSY, COND COIL (M3, M4)
71	0201G00067S	TUBING ASSY, COND COIL 32.5" (M5, M6)
71	0201G00002PS	TUBING ASSY, COND COIL 40" (M9, M10)
71	0201G00061PS	TUBING ASSY, COND COIL 40" (M7, M8)
81	B2114455	FLOWRATOR .055 (M1, M2)
81	B2114655	FLOWRATOR .055 [COND] (M3, M4)
81	B2114659	FLOWRATOR .059 [COND] (M5, M6)
81	0162M00042	FLOWRATOR .071 [COND] (M7, M8)
81	0162M00044	FLOWRATOR .076 [COND] (M9, M10)

Image 2:

62	0130M00009P	DEFROST THERMOSTAT OPEN 60°, CLOSE 34°
----	-------------	--

Expanded Model Nomenclature

M1 - GPH1324M21AA
M2 - GPH1324M21AB
M3 - GPH1330M21AA
M4 - GPH1330M21AB
M5 - GPH1336M21AA
M6 - GPH1336M21AB
M7 - GPH1348M21AA
M8 - GPH1348M21AB
M9 - GPH1360M21AA
M10 - GPH1360M21AB

Control Panel/Blower Assy

Image 1

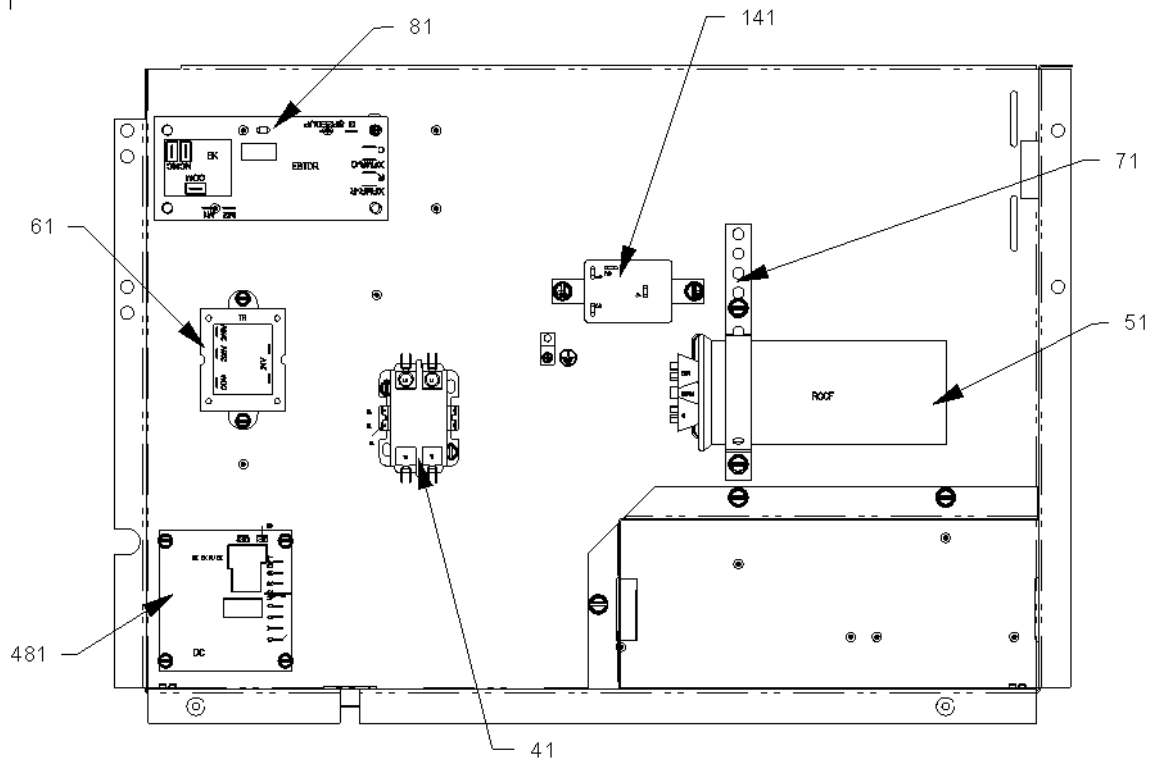
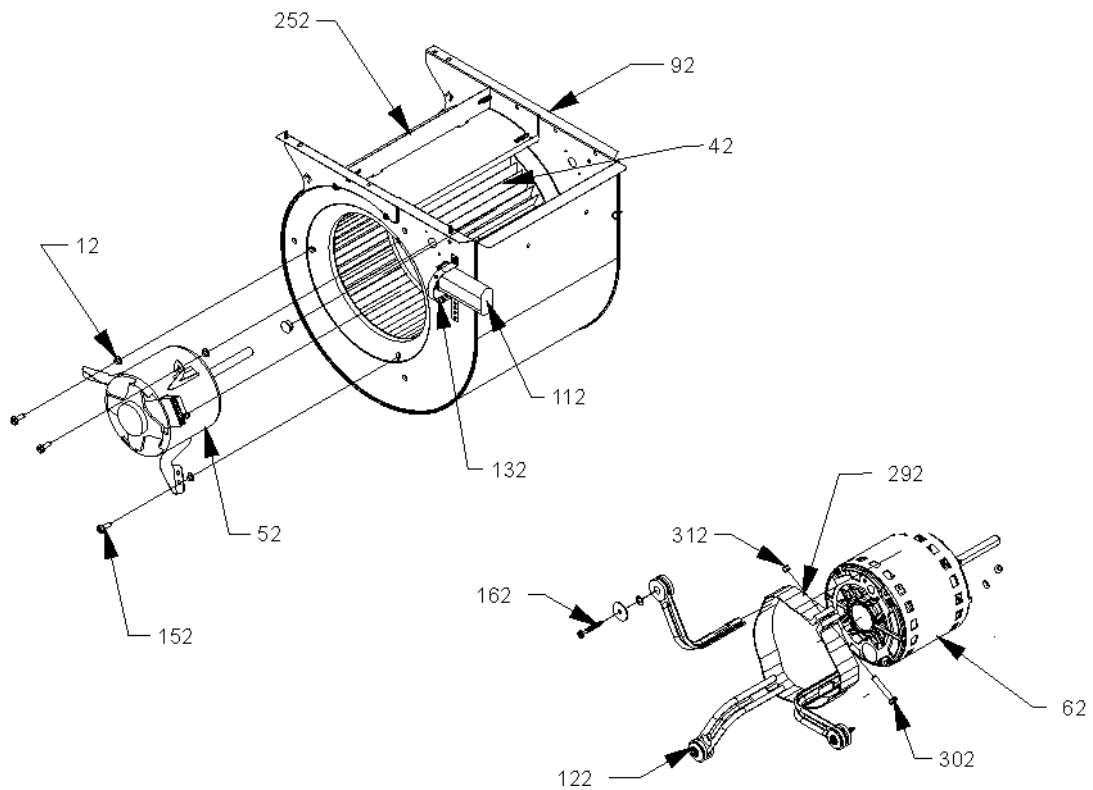


Image 2



Control Panel/Blower Assy

Ref. Part No:	Ref. Part No:	Description:	Description:
---------------	---------------	--------------	--------------

Image 1:

41	CONT2P025024VS	CONTACTOR 25 AMP, 2P, 24V (M1, M2, M3, M4, M5, M6)
41	CONT2P040024VS	CONTACTOR 40 AMP, 2P, 24V (M7, M8, M9, M10)
51	CAP050350440RSS	CAPACITOR 5/35/440V (M1)
51	CAP050350440RSS	CAPACITOR 5/35/440V [CONTROL BOX] (M2)
51	CAP050450370RSS	CAPACITOR 5/45/370V [CONTROL BOX] (M3, M4, M5, M6)
51	CAP050600440RTS	CAPACITOR 5/60/440V (M7, M8)
51	CAP050800440RTS	CAPACITOR 5/80/440V (M9, M10)
61	B1141643	TRANSFORMER 208/230, 24V
71	20520901	CAPACITOR STRAP
81	PCBFM131	BOARD, ELECTRONIC BLOWER TIME DELAY RELAY (M1, M2, M3, M4, M5, M6)
141	0130M00014	240 VOLT RELAY (M1, M2, M3, M4, M5, M6)
481	PCBDM130	DEFROST CONTROL BOARD
NS	0259G00056	BLOWER HARNESS (M5, M6)
NS	0259G00065	BLOWER HARNESS (M7, M8, M9, M10)
NS	0259G00003	WIRE HARNESS, ELECTRIC HEAT (M7, M8, M9, M10)
NS	0259G00005	WIRE HARNESS, ELECTRIC HEAT (M1, M2, M3, M4, M5, M6)

Expanded Model Nomenclature

M1 - GPH1324M21AA
M2 - GPH1324M21AB
M3 - GPH1330M21AA
M4 - GPH1330M21AB
M5 - GPH1336M21AA
M6 - GPH1336M21AB
M7 - GPH1348M21AA
M8 - GPH1348M21AB
M9 - GPH1360M21AA
M10 - GPH1360M21AB

Image 2:

12	B1392143	GROMMET, 26TAL F/TORSIN FLEX (M1, M2, M3, M4, M5, M6)
42	D6723303S	BLOWER WHEEL
52	11119203S	BLOWER MOTOR (M5, M6)
52	0131M00062	BLOWER MOTOR 1/3 HP, 3 SP, 6 PL (M3, M4)
52	11091207S	BLOWER MOTOR 1/4 HP, 3 SP, 8 PL (M1, M2)
62	0231K00044	BLOWER MOTOR 1 HP PROGRAMMED X13 (M9, M10)
62	0231K00043	BLOWER MOTOR 3/4 HP PROGRAMMED X13 (M7, M8)
92	0271G00024S	BLOWER HOUSING ASSY 10 X 9
112	CAP100000370VAS	CAPACITOR 10/370V [BLOWER] (M1, M2, M3, M4)
112	CAP150000370VAS	CAPACITOR 15/370V (M5, M6)
122	B1376857	MOTOR MOUNT ARM (M7, M8, M9, M10)
132	20520901	CAPACITOR STRAP (M1, M2, M3, M4, M5, M6)
152	M0250558	TC SCREW (M1, M2, M3, M4, M5, M6)
152	M0250565	TC SCREW 1.25" (M7, M8, M9, M10)
252	764742	BLOWER BLOCK-OFF
292	0121M00038	MOTOR MOUNT BAND (M7, M8, M9, M10)
302	B1393323	MACHINE SCREW HWH 1/4-20 X 1-1/2 BZ (M7, M8, M9, M10)
312	B1393800	LOCKNUT, NYLON, INSERT 1/4, 20 (M7, M8, M9, M10)
NS	B821700	CAPACITOR BOOT (M1, M2, M3, M4, M5, M6)