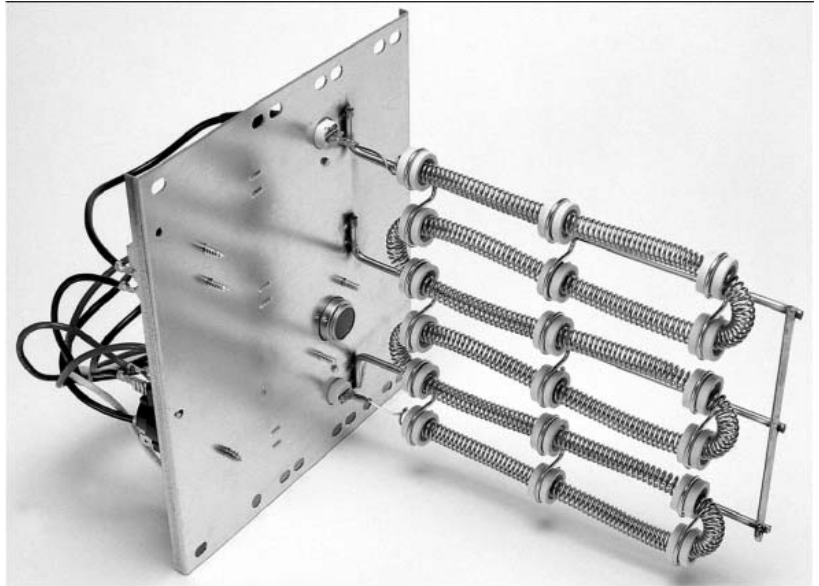


# REPAIR PARTS

---

## HKA/ HKP / HKR Heater Kits

HKA-15CB  
HKA-20CB  
HKP-05CA  
HKP-05CB  
HKP-10CA  
HKP-10CB  
HKP-15CB  
HKP-20CB  
HKR-03B  
HKR-05B  
HKR-05CC  
HKR-06B  
HKR-08B  
HKR-08CC  
HKR-10B  
HKR-10CC



This manual is to be used by qualified technicians only.

This manual replaces RP-7001.

© 2014-2015 Goodman Manufacturing Company, L.P. ♦ 5151 San Felipe St., Suite 500 ♦ Houston, TX 77056

# Important Information

---

## Index

Functional Parts List .....	3
Illustration and Parts .....	4 - 13

*Views shown are for parts illustrations only, not servicing procedures*

Rev A: addition of the HKA and HKR heater kits with UL1995 4th Edition updates.

### Text Codes:

AR - As Required

NA - Not Available

NS - Not Shown

00000000 - See Note

QTY - Quantity Example (QTY 3) (If Quantity not shown, Quantity = 1)

M - Model Example (M1) (If M Code not shown, then part is used on all Models)

### Expanded Model Nomenclature:

Example M1 - Model#1 M2 - Model#2 M3 - Model#3
---

Goodman Manufacturing Company, L.P. is not responsible for personal injury or property damage resulting from improper service. Review all service information before beginning repairs.

Warranty service must be performed by an authorized technician, using authorized factory parts. If service is required after the warranty expires, Goodman Manufacturing Company, L.P. also recommends contacting an authorized technician and using authorized factory parts.

Goodman Manufacturing Company, L.P. reserves the right to discontinue, or change at any time, specifications or designs without notice or without incurring obligations.

For assistance within the U.S.A. contact:  
Consumer Affairs Department  
Goodman Manufacturing Company, L.P.  
7401 Security Way  
Houston, Texas 77040  
877-254-4729-Telephone  
713-863-2382-Facsimile

For assistance outside the U.S.A. contact:  
International Division  
Goodman Manufacturing Company, L.P.  
7401 Security Way  
Houston, Texas 77040  
713-861-2500-Telephone  
713-863-2382-Facsimile

# Functional Parts

## Part

## No: Description:

---

CBK2PD240VD050	CBK, 2 POLE, DUAL, 120/240V (M1, M2, M6)
CBK2PD240VC030	CBK, 2 POLE, DUAL, 120/240V (M11)
CBK2PD240VC025	CBK, 2 POLE, DUAL, 120/240V (M1, M4, M7)
CBK2PD240VA025	CBK, 2 POLE, DUAL, 120/240V, 25A (M3)
CBK2PD240VD040	CBK, 2 POLE, DUAL, 120/240V, 40A (M14)
CBK2PD240VD045	CBK, 2 POLE, DUAL, 120/240V, 45A (M2, M7, M8)
CBK2PD240VA050	CBK, 2 POLE, DUAL, 120/240V, 50A (M5)
CBK2PD240VD060	CBK, 2 POLE, DUAL, 120/240V, 60A (M16)
CONT2P025024V	CONTACTOR 25 AMP, 2P, 24V (M1, M2, M4, M6, M7, M8, M9, M10, M11, M12, M13, M14, M15, M16)
0200086001P	FUSELINK (QTY 3)
0175M00041	HEATER ELEMENT (M12)
0175M00042	HEATER ELEMENT (M13, M14)
B1037515	HEATER ELEMENT 4.75 KW (M3)
0175M00043	HEATER ELEMENT 4.75 KW (M6, M15, M16)
B1037518	HEATER ELEMENT 9.50 KW (M5)
0175M00053	HEATER ELEMENT 3.00 KW (M9)
0175M00040	HEATER ELEMENT 4.75 KW (M4, M10, M11)
0175K00000	HEATER ELEMENT, 14.25KW (M1, M7)
0175K00001	HEATER ELEMENT, 19.00 KW (M2, M8)
0200054001P	LIMIT (QTY 3)
B1256559	SEQUENCER (M5)
B1256558	SEQUENCER (M3)
0130K00012	TERMINAL BLOCK (M12, M13, M15)
B1368250	TERMINAL BLOCK (HIGH VOLTAGE) (M9, M10)

### Expanded Model Nomenclature

M1 - HKA-15CB
M2 - HKA-20CB
M3 - HKP-05CA
M4 - HKP-05CB
M5 - HKP-10CA
M6 - HKP-10CB
M7 - HKP-15CB
M8 - HKP-20CB
M9 - HKR-03B
M10 - HKR-05B
M11 - HKR-05CC
M12 - HKR-06B
M13 - HKR-08B
M14 - HKR-08CC
M15 - HKR-10B
M16 - HKR-10CC

# HKA-15CB & HKA-20CB

IMAGE 1

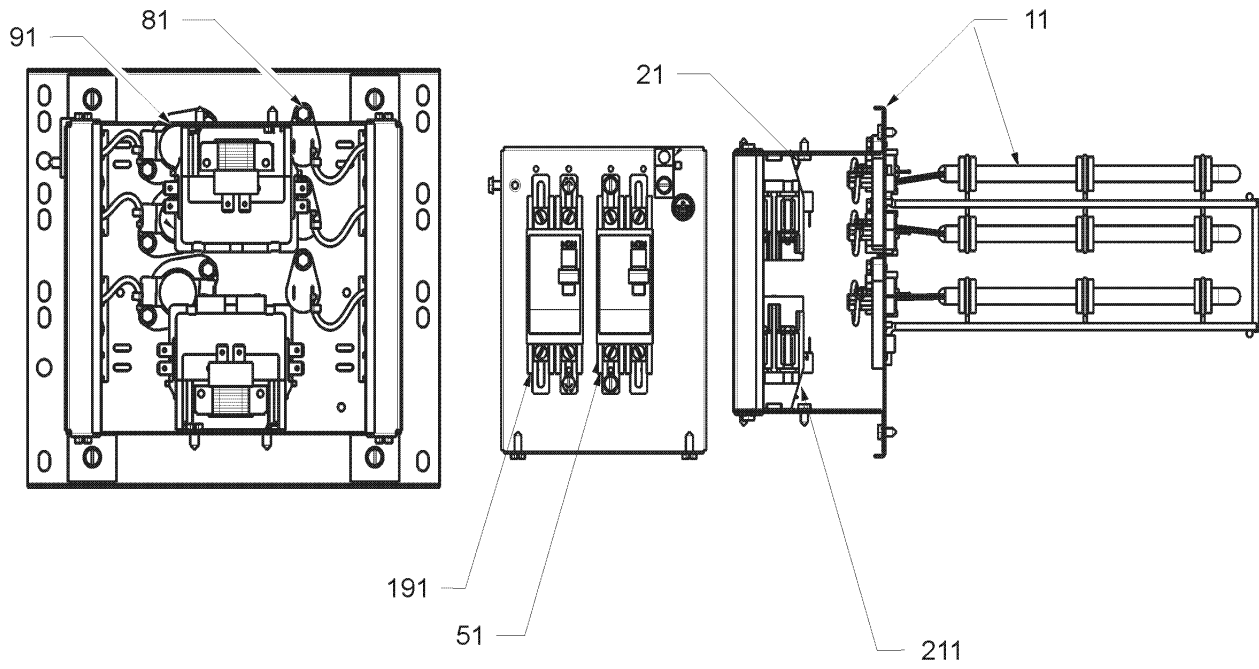
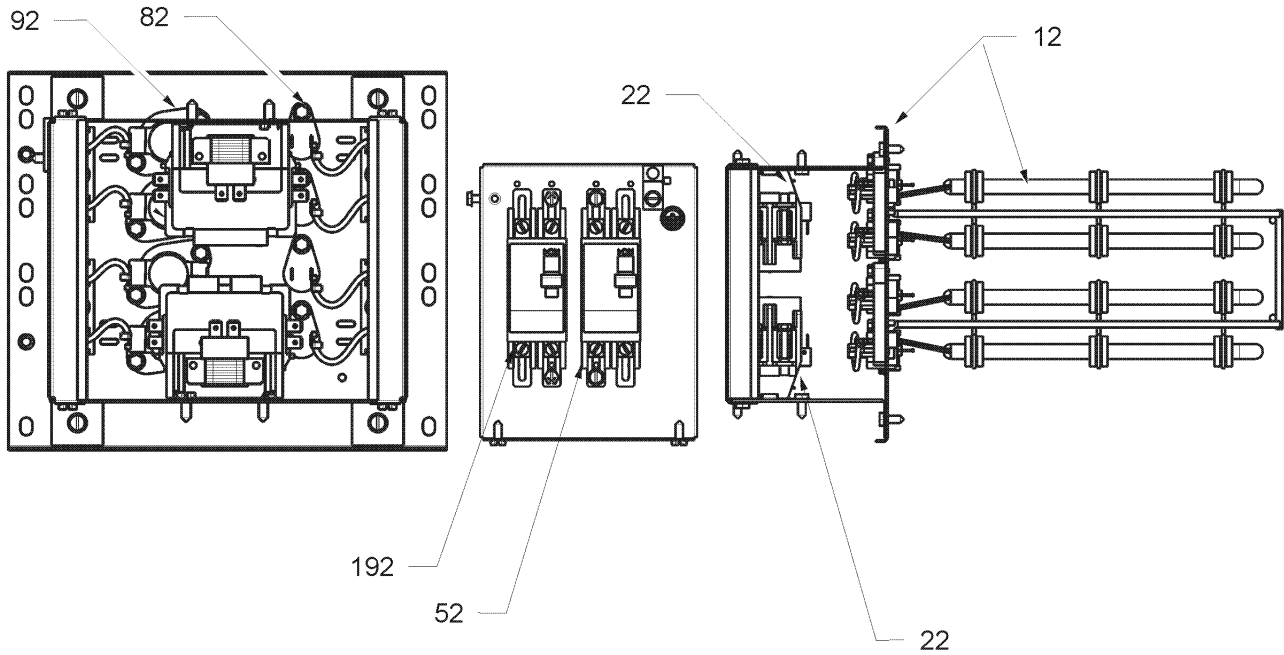


IMAGE 2



# HKA-15CB & HKA-20CB

Ref. Part No: No:	Description:	Ref. Part No: No:	Description:
-------------------	--------------	-------------------	--------------

**Image 1:**

11	0175K00000	HEATER ELEMENT, 14.25KW (M1, M7)
21	CONT2P025024V	CONT, 2 POLE, 25 AMP, 24VAC (M1, M7)
51	CBK2PD240VC025	CBK, 2 POLE, DUAL, 120/240V (M1, M7)
81	0200086001P	FUSELINK (M1, M7)
91	0200054001P	LIMIT (M1, M7)
191	CBK2PD240VD050	CBK, 2 POLE, DUAL, 120/240V (M1)
191	CBK2PD240VD045	CBK, 2 POLE, DUAL, 120/240V, 45A (M7)
211	CONT2P040024V	CONTACTOR 40 AMP, 2P, 24V (M1, M7)
NS	0259K00004S	WIRE HARNESS ASSY (M1)
NS	0259K00017	WIRE HARNESS ASSY

**Image 2:**

12	0175K00001	HEATER ELEMENT, 19.00 KW (M2, M8)
22	CONT2P040024V	CONTACTOR 40 AMP, 2P, 24V (M2, M8)
52	CBK2PD240VD045	CBK, 2 POLE, DUAL, 120/240V, 45A (M2, M8)
82	0200086001P	FUSELINK (M2, M8)
92	0200054001P	LIMIT (M2, M8)
192	CBK2PD240VD050	CBK, 2 POLE, DUAL, 120/240V (M2)
192	CBK2PD240VD045	CBK, 2 POLE, DUAL, 120/240V, 45A (M8)
NS	0259K00002S	WIRE HARNESS ASSY (M2)
NS	0259K00017	WIRE HARNESS ASSY (M8)

**Expanded Model Nomenclature**

- M1 - HKA-15CB
- M2 - HKA-20CB
- M3 - HKP-05CA
- M4 - HKP-05CB
- M5 - HKP-10CA
- M6 - HKP-10CB
- M7 - HKP-15CB
- M8 - HKP-20CB
- M9 - HKR-03B
- M10 - HKR-05B
- M11 - HKR-05CC
- M12 - HKR-06B
- M13 - HKR-08B
- M14 - HKR-08CC
- M15 - HKR-10B
- M16 - HKR-10CC

# HKP-05CA & HKP-10CA

IMAGE 1

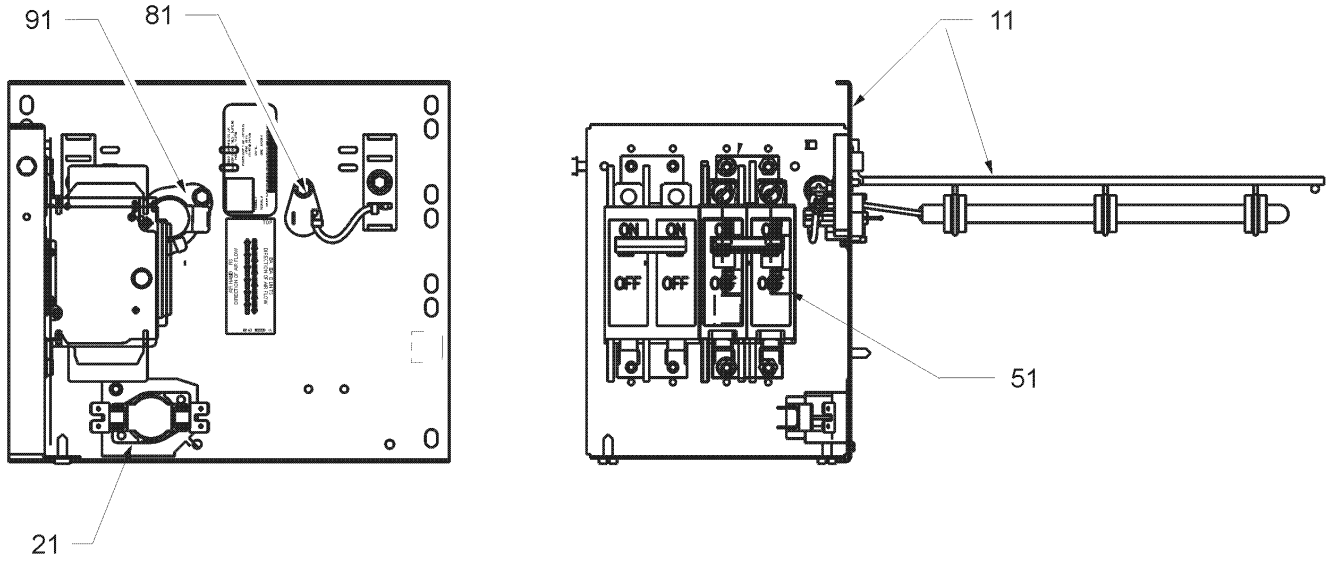
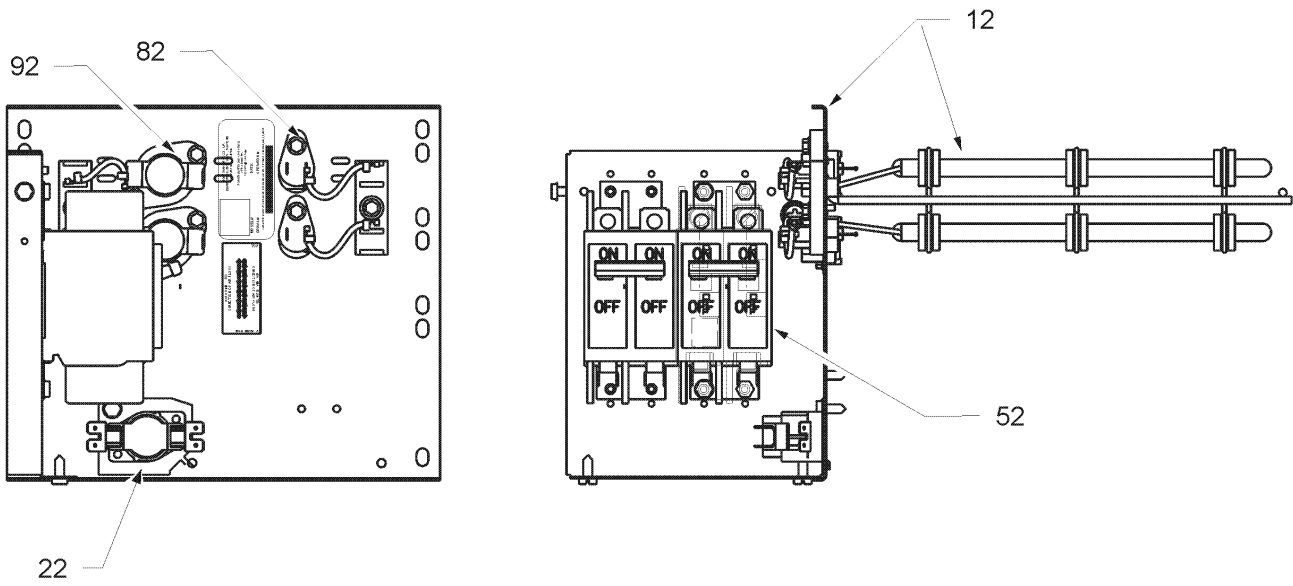


IMAGE 2



# HKP-05CA & HKP-10CA

Ref. Part No: No:	Description:	Ref. Part No: No:	Description:
-------------------	--------------	-------------------	--------------

---

**Image 1:**

11	B1037515	HEATER ELEMENT 4.75 KW (M3)
21	B1256558	SEQUENCER (M3)
51	CBK2PD240VA025	CBK, 2 POLE, DUAL, 120/240V, 25A (M3)
81	0200086001P	FUSELINK (M3)
91	0200054001P	LIMIT (M3)
NS	0259K00004S	WIRE HARNESS ASSY (M3)

**Image 2:**

12	B1037518	HEATER ELEMENT 9.50 KW (M5)
22	B1256559	SEQUENCER (M5)
52	CBK2PD240VA050	CBK, 2 POLE, DUAL, 120/240V, 50A (M5)
82	0200086001P	FUSELINK (M5)
92	0200054001P	LIMIT (M5)
NS	0259K00004S	WIRE HARNESS ASSY (M5)

**Expanded Model Nomenclature**

M1 - HKA-15CB
M2 - HKA-20CB
M3 - HKP-05CA
M4 - HKP-05CB
M5 - HKP-10CA
M6 - HKP-10CB
M7 - HKP-15CB
M8 - HKP-20CB
M9 - HKR-03B
M10 - HKR-05B
M11 - HKR-05CC
M12 - HKR-06B
M13 - HKR-08B
M14 - HKR-08CC
M15 - HKR-10B
M16 - HKR-10CC

# HKP-05CB & HKP-10CB

IMAGE 1

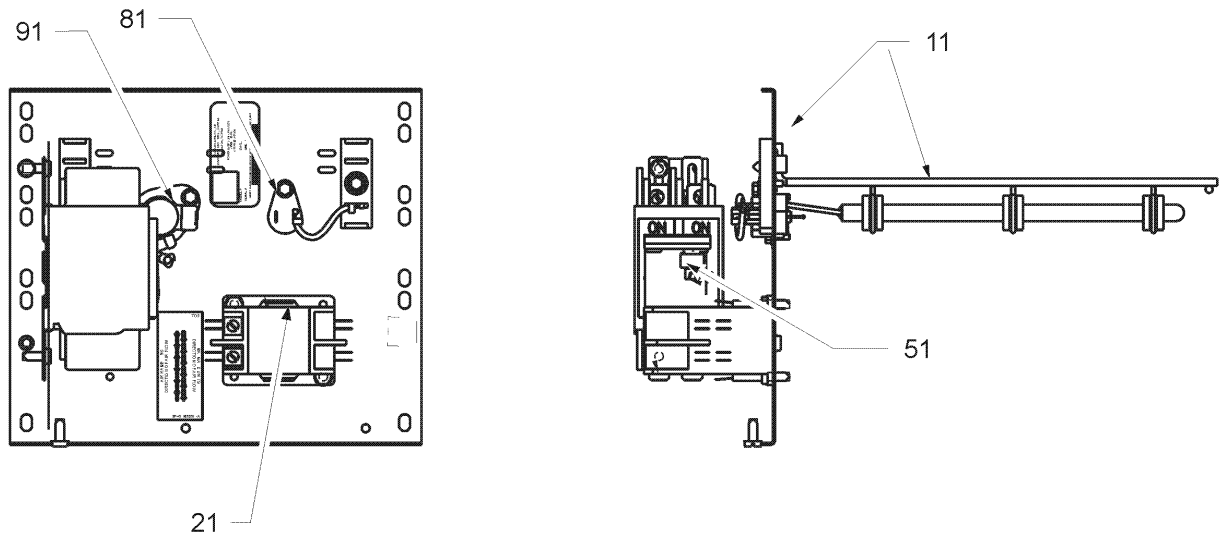
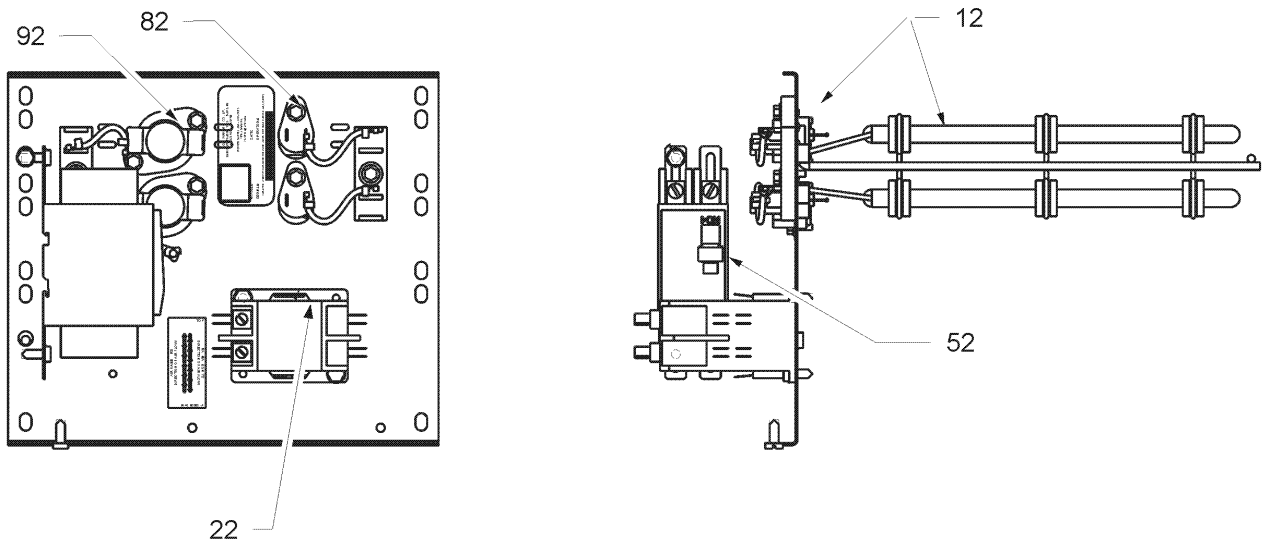


IMAGE 2





# HKP-05CB & HKP-10CB

Ref. Part No: No:	Description:	Ref. Part No: No:	Description:
-------------------	--------------	-------------------	--------------

---

**Image 1:**

11	0175M00040	HEATER ELEMENT 4.75 KW (M4)
21	CONT2P025024V	CONTACTOR 25 AMP, 2P, 24V (M4)
51	CBK2PD240VC025	CBK, 2 POLE, DUAL, 120/240V, 50A (M4)
81	0200086001P	FUSELINK (M4)
91	0200054001P	LIMIT (M4)
NS	0259K00004S	WIRE HARNESS ASSY (M4)

**Image 2:**

12	0175M00043	HEATER ELEMENT 4.75 KW (M6)
22	CONT2P040024V	CONT, 2 POLE, 40 AMP, 24VAC (M6)
52	CBK2PD240VD050	CBK, 2 POLE, DUAL, 120/240V (M6)
82	0200086001P	FUSELINK (M6)
92	0200054001P	LIMIT (M6)
NS	0259K00004S	WIRE HARNESS ASSY (M6)

**Expanded Model Nomenclature**

- M1 - HKA-15CB
- M2 - HKA-20CB
- M3 - HKP-05CA
- M4 - HKP-05CB
- M5 - HKP-10CA
- M6 - HKP-10CB
- M7 - HKP-15CB
- M8 - HKP-20CB
- M9 - HKR-03B
- M10 - HKR-05B
- M11 - HKR-05CC
- M12 - HKR-06B
- M13 - HKR-08B
- M14 - HKR-08CC
- M15 - HKR-10B
- M16 - HKR-10CC

# HKR-03/05/06/08/10B

IMAGE 1

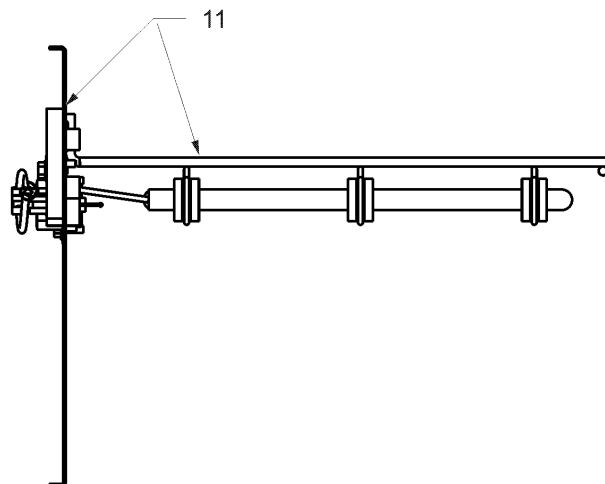
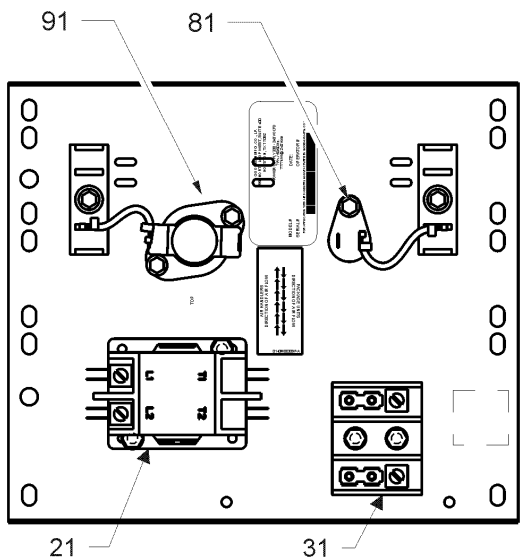
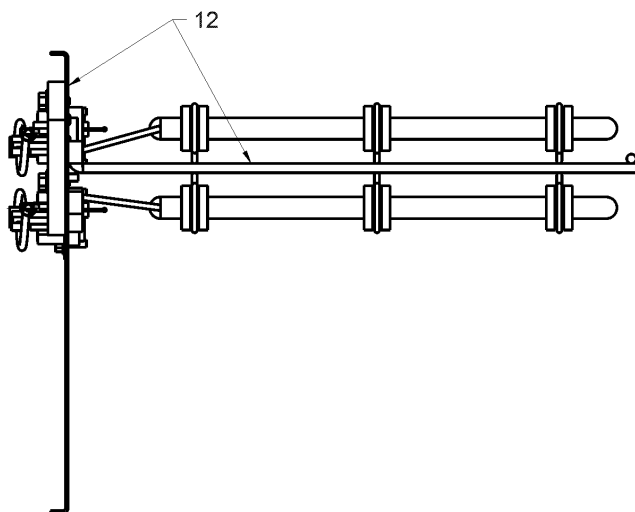
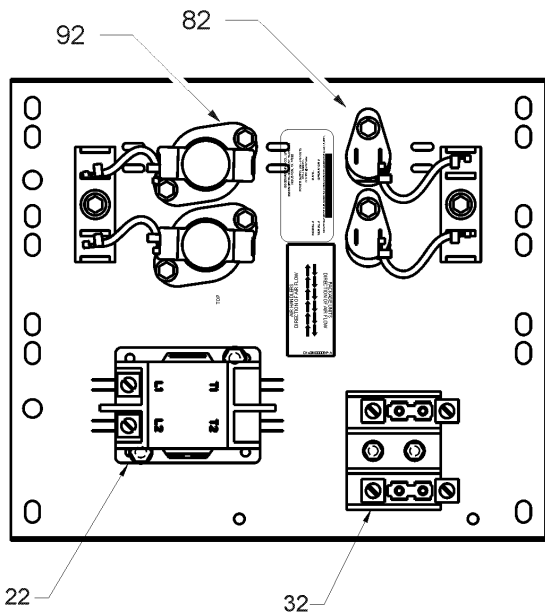


IMAGE 2



# HKR-03/05/06/08/10B

Ref. Part No: No:	Description:	Ref. Part No: No:	Description:
-------------------	--------------	-------------------	--------------

**Image 1:**

11	0175M00040	HEATER ELEMENT 4.75 KW (M10)
11	0175M00053	HEATER ELEMENT 3.00 KW (M9)
21	CONT2P025024V	CONT, 2 POLE, 25 AMP, 24 VAC (M9, M10)
31	B1368250	TERMINAL BLOCK (HIGH VOLTAGE) (M9, M10)
81	0200086001P	FUSELINK (M9, M10)
91	0200054001P	LIMIT (M9, M10)
NS	0259K00004S	WIRE HARNESS ASSY (M9, M10)

**Image 2:**

12	0175M00041	HEATER ELEMENT (M12)
12	0175M00042	HEATER ELEMENT (M13)
12	0175M00043	HEATER ELEMENT (M15)
22	CONT2P025024V	CONT, 2 POLE, 25 AMP, 24VAC
22	CONT2P040024V	CONTACTOR 40 AMP, 2P, 24V (M12, M13, M15)
32	0130K00012	TERMINAL BLOCK (M12, M13, M15)
82	0200086001P	FUSELINK (M12, M13, M15)
92	0200054001P	LIMIT (M12, M13, M15)
NS	0259K00004S	WIRE HARNESS ASSY (M12, M13, M15)

**Expanded Model Nomenclature**

- M1 - HKA-15CB
- M2 - HKA-20CB
- M3 - HKP-05CA
- M4 - HKP-05CB
- M5 - HKP-10CA
- M6 - HKP-10CB
- M7 - HKP-15CB
- M8 - HKP-20CB
- M9 - HKR-03B
- M10 - HKR-05B
- M11 - HKR-05CC
- M12 - HKR-06B
- M13 - HKR-08B
- M14 - HKR-08CC
- M15 - HKR-10B
- M16 - HKR-10CC

# HKR-05CC , HKR-08CC & HKR-10CC

IMAGE 1

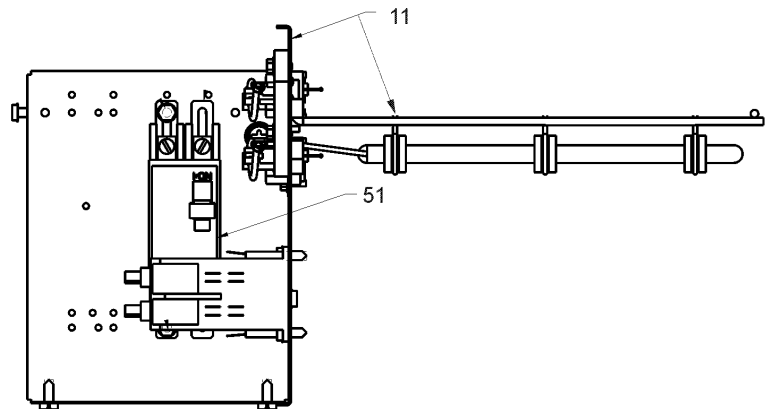
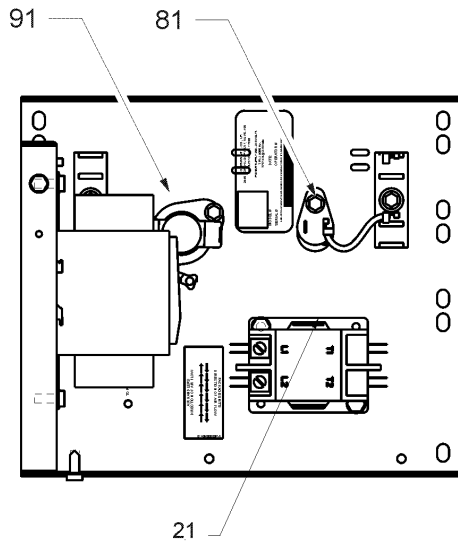
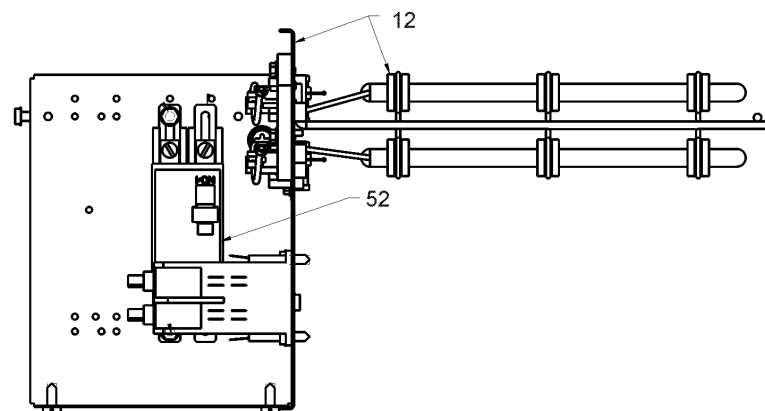
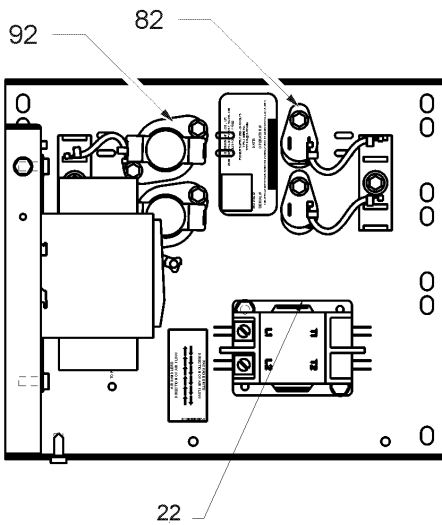


IMAGE 2



# HKR-05CC , HKR-08CC & HKR-10CC

Ref. Part

No: No:

Description:

Ref. Part

No: No:

Description:

**Image 1:**

11	0175M00040	HEATER ELEMENT 4.75 KW (M11)
21	CONT2P025024V	CONTACTOR 25 AMP, 2P, 24V (M11)
51	CBK2PD240VC030	CBK, 2 POLE, DUAL, 120/240V (M11)
81	0200086001P	FUSELINK (M11)
91	0200054001P	LIMIT (M11)
NS	0259K00004S	ASSY, WIRE HARNESS (M11)

**Image 2:**

12	0175M00042	HEATER ELEMENT (M14)
12	0175M00043	HEATER ELEMENT (M16)
22	CONT2P040024V	CONT, 2 POLE, 40 AMP, 24 VAC (M14, M16)
52	CBK2PD240VD040	CBK, 2 POLE, DUAL, 120/240V, 40A (M14)
52	CBK2PD240VD060	CBK, 2 POLE, DUAL, 120/240V, 60A (M16)
82	0200086001P	FUSELINK (M14, M16)
92	0200054001P	LIMIT (M14, M16)
NS	0259K00004S	ASSY, WIRE HARNESS (M14, M16)

**Expanded Model Nomenclature**

M1 - HKA-15CB
M2 - HKA-20CB
M3 - HKP-05CA
M4 - HKP-05CB
M5 - HKP-10CA
M6 - HKP-10CB
M7 - HKP-15CB
M8 - HKP-20CB
M9 - HKR-03B
M10 - HKR-05B
M11 - HKR-05CC
M12 - HKR-06B
M13 - HKR-08B
M14 - HKR-08CC
M15 - HKR-10B
M16 - HKR-10CC