



# RESIDENTIALS

Inputs from

**42,000** thru **180,000** BTU

- Radiant Heating
- Hydronic Space Heating
- Snow Melting

## Two-Stage Fire

- Standard on H3-0090, H3-0135, H3-0180

## Outdoor Air Reset

- Available on two-stage boilers.
- Resets water temperature one degree for each degree change in outdoor air temperature.
- Maximum comfort, minimum cost.

## Full Modulation

- Available on models:  
H1-133, H1-182, H1-260, H1-330, H1-400  
(See Catalog Number 2000.20 and 2000.201)

## Non-Condensing

- Raypak boilers operate at 105°F return water temperature without condensing. Perfect for the low temp needs of radiant floor and snow melting systems.

## Built-In Pump and Bypass

- Standard

## Honeywell IID Ignition

- Standard S-8600 spark ignition. Standing pilot available on sizes 90, 135 and 180 at a price reduction.

## New "Spark To Hood" Pilot

- Eliminates erratic pilot ignition and lockout.

## Motorized Vent Damper

- Standard - Most reliable in the industry.

## Non-Ferrous Waterways Option

- All bronze pump and fittings, glass-lined headers.
- Eliminates boiler oxygen permeation problems with non barrier radiant tubing.

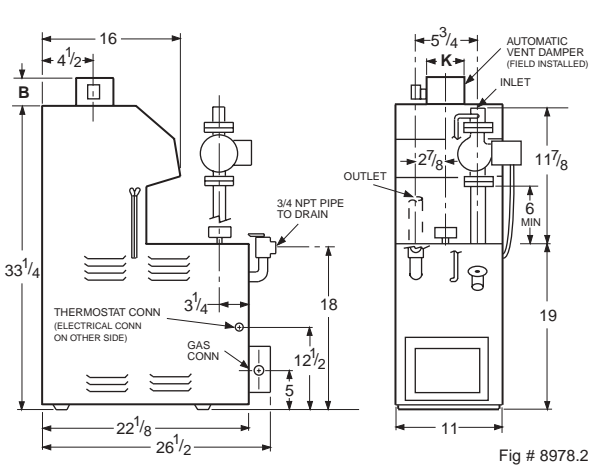
**Radiant Ready**

## Outstanding Warranty

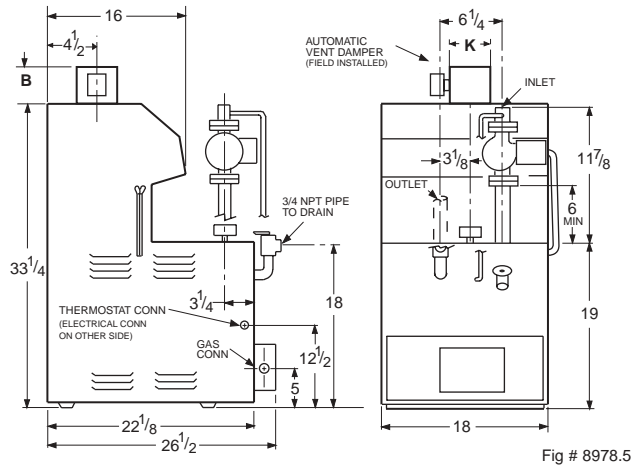
- 100% customer satisfaction! First year parts and service warranty against manufacturer's defects. Warranty is supplied by Raypak. Boiler must be installed according to manufacturer's recommendations. See limited warranty for details.



# Residential Heaters 042 thru 180



0042 thru 0090



0135 thru 0180

**AFUE Ratings**  
Tested with IID ignition and vent damper.

Model	AFUE
H-0042	84.0
H-0066	83.0
H-0090	83.0
H-0135	83.0
H-0180	83.0

Results for standing pilot models available.

Model	Input MBTU	Heating Capacity MBTU	Net Water Rating MBTU	Piping Connections		B	Vent Diameter K	Approx Shipping Weight (lbs)	Clearances						
				Water NPT	Gas NPT				Floor	Front	Rear	Right Side	Left Side	Top	Flue Vent
H-0042	42	35	30	1"	1/2"	5 1/2"	4"	95	Combustible	4"	6"	6"	6"	16"	6"
H-0066	66	54	47	1"	1/2"	5 3/4"	5"	105	Combustible	4"	6"	6"	6"	16"	6"
H-0090	90	74	64	1"	1/2"	5 3/4"	5"	105	Combustible	Alcove	6"	6"	6"	16"	6"
H-0135	135	109	95	1 1/4"	1/2"	6 1/4"	6"	135	Combustible	Alcove	6"	6"	6"	16"	6"
H-0180	180	148	129	1 1/4"	1/2"	8"	7"	140	Combustible	Alcove	6"	6"	6"	16"	6"

Ratings shown are for elevations up to 2,000 feet. For elevations over 2,000 feet, ratings should be reduced at the rate of 4% for each 1,000 feet above sea level. A front clearance of at least 24 inches is recommended for adequate service of burner tray and controls. Circulator provided is not always suitable for systems having high resistance. Consult data sheet for maximums. Complete installation dimensions available, see catalog # 2100.20.

**The Raypak Residential** With five sizes to choose from, there is a finned copper tube Residential for every home, apartment or condominium. Small enough to fit almost any space and fuel efficient for utility savings. Easy to install and service because it's complete right out of the box. Reliable because it's a Raypak.

## Safe

- Over-temperature protection device (with LED display) instantly shuts down boiler in a no-flow condition.
- Safety feature shuts boiler down in the event of a blocked flue or heat exchanger.
- ASME heat exchanger is inspected and stamped for 160 psi operating pressure. Cast iron boiler standard is 30 psi.

## Easy to Install

- Transportable & lightweight - one person can handle ALL sizes.
- Maximum weight of the H-0180 is 140 lbs., compared to an equivalent cast iron boiler at over 300 lbs.
- One carton contains all components.
- Piping and wiring at front.



### RAYPAK CORPORATE OFFICE AND PRINCIPAL MANUFACTURING FACILITY

2151 Eastman Avenue • Oxnard, CA 93030  
805-278-5300 • Fax 800-872-9725  
www.raypak.com

RAYPAK CANADA LIMITED  
2805 Slough St., Mississauga  
Ontario, Canada L4T 1G2  
905-677-7999 • Fax 905-677-8036



RAYPAK AUSTRALIA PTY., LTD.  
7 Geddes St., Mulgrave  
Victoria, Australia 3170  
613-9560-4944 • Fax 613-9560-4974  
www.raypak.com.au