

# COMMERCIAL MODELS: 30B THRU 180B

CATALOG NO. 9300.9.1  
Effective: 07-01-01  
Replaces: 04-30-00

## ***RAYPAK REPLACEMENT PARTS***

MODEL SIZE: 30B, 42B, 66B, 90B, 135B & 180B  
MODEL TYPE: H3 & H4

DATE OF MANUFACTURE: 10-01-90 THROUGH CURRENT STANDING PILOT  
10-01-90 THROUGH 8-11-94 HSI IGNITION  
08-12-94 THROUGH CURRENT IID IGNITION

THE PARTS LISTED ARE FOR STANDARD EQUIPMENT FOR THIS MODEL TYPE. RAYPAK RESERVES THE RIGHT TO SUBSTITUTE, DELETE OR CHANGE ANY PART WITHOUT NOTIFICATION. THE ADDITION OF OPTIONS MAY ALSO CHANGE SOME OF THE PARTS. ORDER REPLACEMENT PARTS FROM ACTUAL HEATER COMPONENTS.



FOR DETAILED INSTRUCTIONS ON "HOW TO USE YOUR RAYPAK ILLUSTRATED PARTS LIST"  
SEE 9001.10 INSTRUCTION SHEET.



Raypak, Inc., 2151 Eastman Avenue, Oxnard, CA 93030  
(805) 278-5300 FAX (800) 872-9725  
Litho In U.S.A.

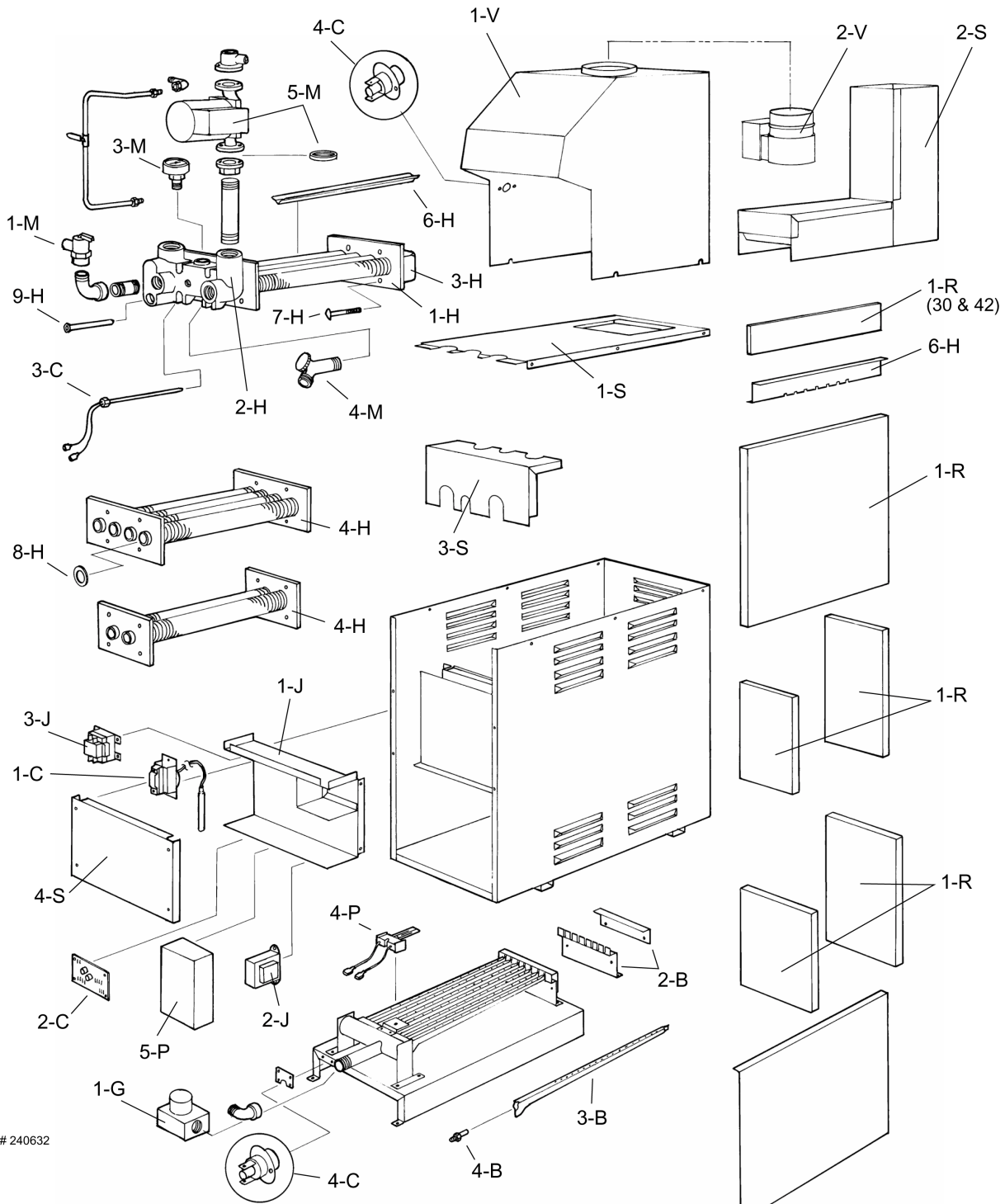


FIG # 240632

HONEYWELL STANDING PILOT

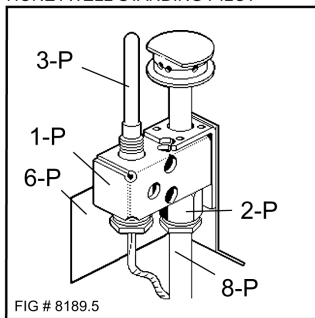


FIG # 8189.5

HONEYWELL IID

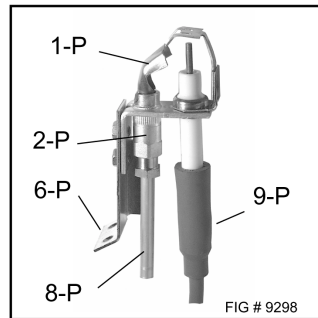


FIG # 9298

ROBERTSHAW STANDING PILOT

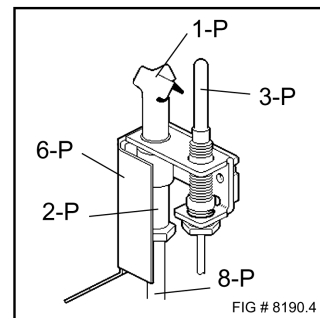


FIG # 8190.4

CALL OUT	DESCRIPTION	30B	42B	66B	90B	135B	180B
<b>B</b>	<b>BURNER TRAY</b>						
1-B	Burner Tray w/oGas Valve (Sea Level) *	003938F	003939F	004513F	003940F	004227F	004228F
	Burner Tray w/ Gas Valve Nat. STG	004801F	004753F	004761F	004769F	004805F	004793F
	Burner Tray w/ Gas Valve Nat. STG 2 Stage				007051F		
	Burner Tray w/ Gas Valve Pro. STG	004802F	004754F	004762F	004770F	004806F	004794F
	Burner Tray w/ Gas Valve Pro. STG 2 Stage				007052F		
	Burner Tray w/ Gas Valve Nat. HSI	004803F	004755F	004763F	004771F	004807F	004822F
	Burner Tray w/ Gas Valve Pro. HSI	004804F	004756F	004764F	004772F	004808F	004823F
	Burner Tray w/Gas Valve Nat. IID	005449F	005451F	005453F	005455F	005457F	005459F
	Burner Tray w/Gas Valve Pro. IID	005450F	005452F	005454F	005456F	005458F	005460F
2-B	Burner Spacer/Holddown	003941F	003941F	003942F	003942F	004229F	004230F
3-B	Burner	301210/3	301210/3	301210/7	301210/7	301210/11	301210/15
4-B	Burner Orifice Nat. (Sea Level) *	350347/3	350079/3	350347/7	350080/7	350080/11	350080/15
	Burner Orifice Pro. (Sea Level) *	350353/3	350083/3	350353/7	350350/7	350351/11	350351/15
<b>C</b>	<b>CONTROLS</b>						
1-C	Adj. Auto High Limit	601003	601003	601003	601003	601003	601003
	Staged Controller				600887	600887	600887
2-C	Electronic Fast ResponseSensor w/Probe	003943F	003943F	003943F	003943F	003943F	003943F
3-C	Probe Fast Response	601017	601017	601017	601017	601017	601017
4-C	Roll-Out/Flue Sensor	006021F	006021F	006021F	006021F	006021F	006021F
<b>G</b>	<b>GAS VALVES</b>						
1-G	Combination Valve Nat. Std. Honeywell	601013	601013	601013	601013		
	Combination Valve Pro. Std. Honeywell	601014	601014	601014	601014		
	Combination Valve Nat. Std. Robertshaw	601009	601009	601009	601009	004824F	004824F
	Combination Valve Pro. Std. Robertshaw	601010	601010	601010	601010	004825F	004825F
	Combination Valve Nat. HSI Honeywell	601015F	601015F	601015F	601015F		
	Combination Valve Pro. HSI Honeywell	601016F	601016F	601016F	601016F		
	Combination Valve Nat. HSI Robertshaw	005095F	005095F	005095F	005095F	004826F	004826F
	Combination Valve Pro. HSI Robertshaw	005096F	005096F	005096F	005096F	004827F	004827F
	Combination Valve Nat. IID Honeywell On/Off	006957F	006957F	006957F	006957F	006957F	
	Combination Valve Pro. IID Honeywell On/Off	006958F	006958F	006958F	006958F	006958F	
	Combination Valve Nat. IID Robertshaw On/Off	005461F	005461F	005461F	005461F		
	Combination Valve Pro. IID Robertshaw On/Off	005462F	005462F	005462F	005462F		
	Combination Valve Nat. IID Robertshaw 2 Stage				005463F	005463F	005463F
	Combination Valve Pro. IID Robertshaw 2 Stage				005464F	005464F	005464F
<b>H</b>	<b>HEAT EXCHANGER</b>						
1-H	Heat Exchanger Cast Iron	003945F	003945F	003946F	003946F	004231F	004232F
	Heat Exchanger Brass	003948F	003948F	003949F	003949F	004233F	004234F
2-H	Inlet/Outlet Header Cast Iron	003950F	003950F	003952F	003952F	004235F	004236F
	Inlet/Outlet Header Brass	003951F	003951F	003953F	003953F	004237F	004238F
3-H	Return Header Cast Iron	003954F	003954F	003956F	003956F	004239F	004240F
	Return Header Brass	003955F	003955F	003957F	003957F	004241F	004242F
4-H	Tube Bundle <sup>1</sup>	003959F	003959F	003960F	003960F	004243F	004244F
5-H	Heat Exchanger Tube	003961F	003961F	003961F	003961F	003961F	003961F
6-H	Baffle Kit	003963F	003963F	003964F	003964F	004245F	004246F
7-H	Carriage Bolt Kit	003965F	003965F	003965F	003965F	004247F	004248F
	Stud Bolt	007912F	007912F	007912F	007912F	007911F	007911F
8-H	Header Gasket	800203B	800203B	800203B	800203B	800203B	800203B
9-H	Sensor Well	007211F	007211F	007211F	007211F	007211F	007211F
10-H	Well Retaining Clip	300203	300203	300203	300203	300203	300203
<b>J</b>	<b>CONTROL BOX</b>						
1-J	Control Box Std. (Complete)	003966F	003966F	003966F	003966F	004249F	004249F
	Control Box Std. 2- Stage (Complete)				007021F	007023F	007023F
	Control Box HSI (Complete)	003967F	003967F	003967F	003967F	004250F	004250F
	Control Box IID Nat/Lock (Complete)	005465F	005465F	005465F	005465F	005466F	005466F
	Control Box IID Nat/Lock 2 Stage (Complete)				007022F	007024F	007024F
2-J	Transformer	650691	650691	650691	650691	650691	650691
3-J	Relay DPST	650518	650518	650518	650518	650518	650518

\*FOR ALTITUDES ABOVE 2,000 FEET ABOVE SEA LEVEL, CONSULT FACTORY.

<sup>1</sup> NUMBER OF TUBES VARIES FOR EACH MODEL SIZE.

**NOTE:** BOILERS MANUFACTURED AFTER AUGUST 11, 1994, SERIAL #9408116901 OR LATER, HAVE IID IGNITION IN LIEU OF HSI IGNITION.

CALL OUT	DESCRIPTION	30B	42B	66B	90B	135B	180B
<b>M</b>	<b>MISCELLANEOUS</b>						
1-M	PRV 30 PSI	501410	501410	501410	501410	501410	501410
2-M	Deliming Kit	052871F	052871F	052871F	052871F	052871F	052871F
3-M	T & P Gauge	007205F	007205F	007205F	007205F	007205F	007205F
4-M	Drain Valve	006536F	006536F	006536F	006536F	006536F	006536F
5-M	Pump Inline Taco	003968F	003968F	003968F	004251F	005097F	005097F
	Pump Inline Taco Brass	007340F	007340F	007340F	007340F	007333F	007333F
	Pump Inline Grundfos					004714F	004714F
6-M	Pump Cartridge (Taco)	951116F	951116F	951116F	951116F	951166F	951166F
7-M	Wire/Harness Std.	003969F	003969F	003969F	003969F	004256F	004256F
	Wire/Harness Std. 2 Stage				007044F	007044F	007044F
	Wire/Harness HSI Honeywell	003970F	003970F	003970F	003970F	004257F	004257F
	Wire/Harness HSI Fenwal	003971F	003971F	003971F	003971F	004258F	004258F
	Wire/Harness IID	005602F	005602F	005602F	005602F	005603F	005603F
	Wire/Harness IID 2 Stage				007045F	007045F	007045F
<b>P</b>	<b>PILOT</b>						
1-P	Pilot Nat. Std.	003972F	003972F	003972F	003972F	003972F	003972F
	Pilot Pro. Std.	003973F	003973F	003973F	003973F	003973F	003973F
	Pilot Nat. IID	005467F	005467F	005467F	005467F	005467F	005467F
	Pilot Pro. IID	005468F	005468F	005468F	005468F	005468F	005468F
2-P	Pilot Orifice Nat. Std.	003974F	003974F	003974F	003974F	003974F	003974F
	Pilot Orifice Pro. Std.	003975F	003975F	003975F	003975F	003975F	003975F
	Pilot Orifice Nat. IID	003903F	003903F	003903F	003903F	003903F	003903F
	Pilot Orifice Pro. IID	004308F	004308F	004308F	004308F	004308F	004308F
3-P	Pilot Thermocouple	600003	600003	600003	600003	600003	600003
4-P	Hot Surface Ignitor HSI	003976F	003976F	003976F	003976F	003976F	003976F
5-P	Ignition Control HSI Honeywell	601005F	601005F	601005F	601005F	601005F	601005F
	Ignition Control HSI Fenwal	601129F	601129F	601129F	601129F	601129F	601129F
	Ignition Control IID Honeywell	004935F	004935F	004935F	004935F	004935F	004935F
6-P	Pilot Mtg. Bracket	306239	306239	306239	306239	306239	306239
8-P	Pilot Tube	400275	400275	400275	400275	400275	400275
8-P	High Tension Wire IID	002654B	002654B	002654B	002654B	002654B	002654B
	High Tension Wire w/Pilot Electrode	007864F	007864F	007864F	007864F	007864F	007864F
<b>R</b>	<b>REFRACTORY</b>						
1-R	Refractory Kit	003977F	003977F	003978F	003978F	004259F	004260F
<b>S</b>	<b>SHEETMETAL</b>						
1-S	Jacket Top	003979F	003979F	003980F	003980F	004261F	004268F
2-S	Flue Collector	003981F	003981F	003982F	003982F	004262F	004263F
3-S	Access Panel	003983F	003983F	003983F	003983F	004264F	004264F
4-S	Control Panel Cover	003984F	003984F	003984F	003984F	004265F	004265F
<b>V</b>	<b>VENTING</b>						
1-V	Draffhood	003985F	003985F	003986F	003986F	004266F	004267F
2-V	Vent Damper	004709	004709	004710	004710	004711	004712

<b>GAS CONVERSION KITS **</b>	<b>30B</b>	<b>42B</b>	<b>66B</b>	<b>90B</b>	<b>135B</b>	<b>180B</b>
<b>HONEYWELL GAS VALVE</b>						
Standing Pilot Nat. to Pro.	004269F	004273F	004698F	004277F		
Standing Pilot Pro. to Nat.	004270F	004274F	004699F	004278F		
Hot Surface Ignition Nat. to Pro.	004271F	004275F	004700F	004279F		
Hot Surface Ignition Pro. to Nat.	004272F	004276F	004701F	004280F		
IID Nat. to Pro. Honeywell	005471F	005473F	005475F	005477F		
IID Pro. to Nat. Honeywell	005472F	005474F	005476F	005478F		
<b>ROBERTSHAW GAS VALVE</b>						
Standing Pilot Nat. to Pro.	004289F	004293F	004702F	004297F	004281F	004285F
Standing Pilot Pro. to Nat.	004290F	004294F	004703F	004298F	004282F	004286F
Hot Surface Ignition Nat. to Pro.	004291F	004295F	004704F	004299F	004283F	004287F
Hot Surface Ignition Pro. to Nat.	004292F	004296F	004705F	004300F	004284F	004288F
IID Nat. to Pro. Robertshaw	005479F	005481F	005483F	005485F	005487F	005489F
IID Pro. to Nat. Robertshaw	005480F	005482F	005484F	005486F	005488F	005490F

\*\* Gas Conversions are to be done only by a Qualified Agency.

<b>IGNITION CONTROL CONVERSION KIT</b>	
Robertshaw HSI Control to Fenwal HSI Control	004678F



**NOTE:** BOILERS MANUFACTURED AFTER AUGUST 11, 1994, SERIAL #9408116901 OR LATER, HAVE IID IGNITION IN LIEU OF HSI IGNITION.

www.raypak.com