



Air Conditioning & Heating

COOLING CAPACITY: 23,200 – 56,500 BTU/H
HEATING CAPACITY: 69,000 – 138,000 BTU/H

GPD14 SERIES

**SINGLE-PHASE, SELF-CONTAINED
PACKAGED DUAL-FUEL UNITS**
UP TO 14.5 SEER
80% AFUE / 8.0 HSPF



Standard Features

- Combines cooling with heat pump and gas heating for optimal year-long performance
- High-efficiency scroll compressor
- Durable, corrosion-resistant T-140 aluminized steel tubular heat exchanger
- Energy-efficient motor (EEM)
- Fully charged R-410A system
- Copper tube/aluminum fin coil
- Two-stage gas valve; natural gas with easy conversion to propane with accessory kit
- Power-assisted combustion
- Direct spark ignition system includes a microprocessor-based control for the entire ignition sequence
- All blower operation and all safety circuits complete with self-diagnostics
- Loss-of-charge protection
- All models comply with California Low NOx emission standards
- AHRI Certified; ETL Listed

Cabinet Features

- Fully insulated heavy-gauge, zinc-coated steel cabinet with UV-resistant powder-paint finish
- Louvered metal panel condenser coil protection
- Horizontal or downflow application
- Convenient access panels
- One roof curb fits all units
- Bottom, 2" high base rails for easy handling
- All models fit a standard-size pick-up truck
- When properly anchored, meets the 2001 Florida Building Code unit integrity requirements for hurricane-type winds (Anchor bracket kits available.)

Contents

Nomenclature	2
Product Specifications	3
Expanded Cooling Data	5
Expanded Heating Data	16
Airflow Data	17
Dimensions	20
Wiring Diagrams	21
Accessories	23



* Complete warranty details available from your local dealer or at www.goodmanmfg.com. To receive the 10-Year Parts Limited Warranty, online registration must be completed within 60 days of installation. Online registration is not required in California or Quebec.

NOMENCLATURE

	G	P	D	14	30	090	M	4	1	
	1	2	3	4,5	6,7	8,9,10	11	12	13	
Brand	G Goodman® Brand									Electrical
										1 208-230/1/60
Product Category	P Packaged Unit									Refrigerant
										4 R-410A
Unit Type	G Gas/Electric		D Dual-Fuel							Airflow
										M Multi-Position
Efficiency	14 14 SEER		15 15 SEER							Heat Input
										70 69 MBTU/h
Nominal Capacity	24 2 Tons		42 3½ Tons							90 92 MBTU/h
										115 115 MBTU/h
										140 138 MBTU/h

SPECIFICATIONS

	GPD1424 070M41A*	GPD1424 070M41B*	GPD1430 090M41A*	GPD1430 090M41B*	GPD1436 090M41A*
COOLING					
Cooling Capacity, BTU/hr	23,800	23,800	28,000	28,000	35,200
Sensible Capacity, BTU/hr	19,200	19,200	23,000	23,000	25,300
SEER / EER	14.5 / 12.0	14.5 / 12.0	14.0 / 12.0	14.0 / 12.0	14.0 / 11.4
Decibels	76	76	76	76	76
AHRI #'S	4716335	5677900	4716340	5677901	4718894
HEATING					
Heating Capacity, BTU/hr (47°F / 17°F)	23,800 / 13,000	23,800 / 13,000	28,000 / 16,000	28,000 / 16,000	32,600 / 19,600
C.O.P. (47°F / 17°F)	3.6 / 2.3	3.6 / 2.3	3.6 / 2.3	3.6 / 2.3	3.6 / 2.4
HSPF	8.0	8.0	8.0	8.0	8.0
GAS HEATING					
High-Fire Input/Output (BTU/hr)	69,000 / 55,000	69,000 / 55,000	92,000 / 72,900	92,000 / 72,900	92,000 / 72,900
Low-Fire Input/Output (BTU/hr)	51,500 / 40,500	51,500 / 40,500	69,000 / 55,000	69,000 / 55,000	69,000 / 55,000
AFUE (%)	80	80	80	80	80
Temperature Rise Range (°F)	35 - 65	35 - 65	35 - 65	35 - 65	45 - 75
# of Burners	3	3	4	4	4
Orifice Size (Natural / LP)	43 / 55	43 / 55	43 / 55	43 / 55	43 / 55
Primary/Auxiliary Limit Setting (°F)	160/150	160/150	160/150	160/150	160/150
Roll-out Limit Setting (°F)	300	300	300	300	300
EVAPORATOR COIL					
Face Area (ft ²)	4.3	4.3	4.3	4.3	4.3
# Rows / Fins per Inch	3 / 16	3 / 16	3 / 16	3 / 16	4 / 14
Expansion Device (Orifice Diameter in.)	0.059	0.059	0.065	0.065	0.068
Filter Size (ft ²) / Drain Size (NPT)	2.7 / 3/4	2.7 / 3/4	4.2 / 3/4	4.2 / 3/4	4.2 / 3/4
Refrigerant Charge - R-410A (oz)	120	120	108	108	124
EVAPORATOR MOTOR					
Wheel (D x W)	10" x 8"	10" x 8"	10" x 9"	10" x 9"	10" x 9"
Type / # of Speeds	EEM / 5	EEM / 5	EEM / 5	EEM / 5	EEM / 5
Motor Horsepower / FLA	1/2 / 4.1	1/2 / 4.1	1/2 / 1.86	1/2 / 1.86	1/2 / 1.86
Motor Speed Tap (Cooling and Heat Pump)	T4	T4	T4	T4	T4
RPM (Cooling and Heat Pump)	755	755	810	810	880
Nominal CFM (Cooling and Heat Pump)	850	850	1,030	1,030	1,050
CONDENSER COIL					
Face Area (ft ²)	12.2	12.2	12.2	12.2	12.2
# Rows / Fins per Inch	2 / 16	2 / 16	2 / 16	2 / 16	2 / 16
Expansion Device (Orifice Diameter in.)	0.045	0.045	0.047	0.047	0.061
CONDENSER MOTOR / FAN					
Fan Diameter (in.)	22	22	22	22	22
# of Blades	3	3	3	3	3
Outdoor Nominal CFM	2,100	2,100	2,500	2,500	2,500
Motor Horsepower - RPM	1/6 - 815	1/6 - 815	1/4 - 837	1/4 - 837	1/4 - 837
Motor FLA	1.1	1.1	1.5	1.5	1.5
COMPRESSOR					
Type / Stage	Scroll / Single	Scroll / Single	Scroll / Single	Scroll / Single	Scroll / Single
Run Load Amps / Locked Rotor Amps	12.8 / 58.3	12.8 / 58.3	14.1 / 73.0	14.1 / 73.0	16.6 / 79.0
Electrical Specifications					
Voltage / Phase / Hz	208-230/1/60	208-230/1/60	208-230/1/60	208-230/1/60	208-230/1/60
Total Unit Amps	18.0	18.0	17.5	17.5	20.0
Minimum Circuit Ampacity	21.2	21.2	21	21	24.2
Maximum Overcurrent Protection	30	30	35	35	40
Entrance Size Power Supply	1 1/8	1 1/8	1 1/8	1 1/8	1 1/8
Entrance Size Control Voltage	7/8	7/8	7/8	7/8	7/8
OPERATING / SHIPPING WEIGHT (LBS)					
	420 / 440	420 / 440	420 / 440	420 / 440	440 / 460

¹ Wire size should be determined in accordance with National Electrical Codes. Extensive wire runs will require larger wire sizes.

² May use fuses or HACR-type circuit breakers of the same size as noted.

Note: Always check the S&R plate for electrical data on the unit being installed.

SPECIFICATIONS (CONT.)

	GPD1436 090M41B*	GPD1442 115M41A*	GPD1442 115M41B*	GPD1448 115M41A*	GPD1448 115M41B*
COOLING					
Cooling Capacity, BTU/hr	35,200	41,500	41,500	45,500	45,500
Sensible Capacity, BTU/hr	25,300	32,000	32,000	34,600	34,600
SEER / EER	14.0 / 11.4	14.0 / 12.0	14.0 / 12.0	14.0 / 12.0	14.0 / 12.0
Decibels	76	76	76	76	76
AHRI #'S	5677902	4716341	5677903	4745096	5677904
HEATING					
Heating Capacity, BTU/hr (47°F / 17°F)	32,600 / 19,600	40,000 / 24,000	40,000 / 24,000	44,000 / 24,600	44,000 / 24,600
C.O.P. (47°F / 17°F)	3.6 / 2.4	3.6 / 2.4	3.6 / 2.4	3.6 / 2.4	3.6 / 2.4
HSPF	8.0	8.0	8.0	8.0	8.0
GAS HEATING					
High-Fire Input/Output (BTU/hr)	92,000 / 72,900	115,000 / 92,200	115,000 / 92,200	115,000 / 92,200	115,000 / 92,200
Low-Fire Input/Output (BTU/hr)	69,000 / 55,000	86,000 / 69,000	86,000 / 69,000	86,000 / 69,000	86,000 / 69,000
AFUE (%)	80	80	80	80	80
Temperature Rise Range (°F)	45 - 75	45 - 75	45 - 75	45 - 75	45 - 75
# of Burners	4	5	5	5	5
Orifice Size (Natural / LP)	43 / 55	43 / 55	43 / 55	43 / 55	43 / 55
Primary/Auxiliary Limit Setting (°F)	160/150	170/150	170/150	170/150	170/150
Roll-out Limit Setting (°F)	300	300	300	300	300
EVAPORATOR COIL					
Face Area (ft ²)	4.3	5.7	5.7	5.7	5.7
# Rows / Fins per Inch	4 / 14	4 / 14	4 / 14	4 / 14	4 / 14
Expansion Device (Orifice Diameter in.)	0.068	0.072	0.072	0.076	0.076
Filter Size (ft ²) / Drain Size (NPT)	4.2 / 3/4	5.1 / 3/4	5.1 / 3/4	5.1 / 3/4	5.1 / 3/4
Refrigerant Charge - R-410A (oz)	124	206	206	185	185
EVAPORATOR MOTOR					
Wheel (D x W)	10" x 9"	11" x 10"	11" x 10"	11" x 10"	11" x 10"
Type / # of Speeds	EEM / 5	EEM / 5	EEM / 5	EEM / 5	EEM / 5
Motor Horsepower / FLA	1/2 / 1.86	3/4 / 2.87	3/4 / 2.87	3/4 / 2.87	3/4 / 2.87
Motor Speed Tap (Cooling and Heat Pump)	T4	T4	T4	T4	T4
RPM (Cooling and Heat Pump)	880	880	880	950	950
Nominal CFM (Cooling and Heat Pump)	1,050	1,370	1,370	1,550	1,550
CONDENSER COIL					
Face Area (ft ²)	12.2	15.3	15.3	15.3	15.3
# Rows / Fins per Inch	2 / 16	2 / 16	2 / 16	2 / 16	2 / 16
Expansion Device (Orifice Diameter in.)	0.061	0.055	0.055	0.057	0.057
CONDENSER MOTOR / FAN					
Fan Diameter (in.)	22	22	22	22	22
# of Blades	3	3	3	3	3
Outdoor Nominal CFM	2,500	3,150	3,150	3,200	3,200
Motor Horsepower - RPM	1/4 - 837	1/4 - 1094	1/4 - 1094	1/4 - 1094	1/4 - 1094
Motor FLA	1.5	1.4	1.4	1.4	1.4
COMPRESSOR					
Type / Stage	Scroll / Single	Scroll / Single	Scroll / Single	Scroll / Single	Scroll / Single
Run Load Amps / Locked Rotor Amps	16.6 / 79.0	17.9 / 112.0	17.9 / 112.0	19.8 / 109.0	19.8 / 109.0
Electrical Specifications					
Voltage / Phase / Hz	208-230/1/60	208-230/1/60	208-230/1/60	208-230/1/60	208-230/1/60
Total Unit Amps	20.0	22.2	22.2	24.1	24.1
Minimum Circuit Ampacity	24.2	26.7	26.7	29.1	29.1
Maximum Overcurrent Protection	40	40	40	45	45
Entrance Size Power Supply	1 1/8	1 1/8	1 1/8	1 1/8	1 1/8
Entrance Size Control Voltage	7/8	7/8	7/8	7/8	7/8
OPERATING / SHIPPING WEIGHT (LBS)					
	440 / 460	525 / 545	525 / 545	525 / 545	525 / 545

¹ Wire size should be determined in accordance with National Electrical Codes. Extensive wire runs will require larger wire sizes.

² May use fuses or HACR-type circuit breakers of the same size as noted.

Note: Always check the S&R plate for electrical data on the unit being installed.

EXPANDED COOLING DATA — GPD1424070M41**

IDB	AIRFLOW	OUTDOOR AMBIENT TEMPERATURE												ENTERING INDOOR WET BULB TEMPERATURE																	
		65°F				75°F				85°F				95°F				105°F				115°F									
		59	63	67	71	59	63	67	71	59	63	67	71	59	63	67	71	59	63	67	71	59	63	67	71						
70	955	MBh	24.1	25.0	27.4	-	23.0	23.8	26.1	-	22.4	23.2	25.5	-	21.3	22.1	24.2	-	19.7	20.5	22.4	-	21.3	22.1	24.2	-	19.7	20.5	22.4	-	
		S/T	0.82	0.68	0.47	-	0.87	0.73	0.50	-	0.90	0.75	0.52	-	0.93	0.78	0.54	-	0.94	0.78	0.54	-	0.93	0.78	0.54	-	0.94	0.78	0.54	-	
		ΔT	19	16	12	-	19	17	13	-	19	17	13	-	19	17	13	-	18	15	12	-	19	17	13	-	18	15	12	-	
	850	kW	1.56	1.59	1.64	-	1.68	1.72	1.78	-	1.89	1.93	2.00	-	1.97	2.02	2.08	-	2.04	2.09	2.16	-	1.97	2.02	2.08	-	2.04	2.09	2.16	-	
		Amps	6.5	6.6	6.8	-	6.9	7.1	7.3	-	8.0	8.2	8.4	-	8.5	8.7	8.9	-	8.9	9.2	9.4	-	8.5	8.7	8.9	-	8.9	9.2	9.4	-	
		HI PR	232	250	264	-	260	280	296	-	337	363	383	-	379	408	431	-	419	451	476	-	379	408	431	-	419	451	476	-	
	745	LO PR	111	118	129	-	117	125	136	-	122	130	141	-	128	136	149	-	134	143	156	-	134	143	156	-	139	148	161	-	
		MBh	23.4	24.3	26.6	-	22.9	23.7	26.0	-	22.3	23.1	25.3	-	21.8	22.6	24.7	-	20.7	21.4	23.5	-	20.7	21.4	23.5	-	19.2	19.9	21.8	-	
		S/T	0.78	0.65	0.45	-	0.81	0.67	0.47	-	0.83	0.69	0.48	-	0.86	0.71	0.49	-	0.89	0.74	0.51	-	0.89	0.74	0.51	-	0.90	0.75	0.52	-	
	75	955	ΔT	20	17	13	-	20	17	13	-	20	17	13	-	20	17	13	-	19	16	12	-	20	17	13	-	19	16	12	-
			kW	1.51	1.54	1.59	-	1.63	1.66	1.72	-	1.73	1.77	1.83	-	1.82	1.87	1.93	-	1.90	1.95	2.01	-	1.90	1.95	2.01	-	1.97	2.02	2.09	-
			Amps	6.2	6.4	6.6	-	6.7	6.9	7.1	-	7.2	7.4	7.6	-	7.7	7.9	8.1	-	8.2	8.4	8.6	-	8.2	8.4	8.6	-	8.6	8.8	9.1	-
850		HI PR	223	240	253	-	250	269	284	-	284	306	323	-	324	348	368	-	364	392	414	-	364	392	414	-	402	433	457	-	
		LO PR	107	113	124	-	113	120	131	-	117	124	136	-	123	131	143	-	129	137	150	-	129	137	150	-	133	142	155	-	
		MBh	21.6	22.4	24.5	-	21.1	21.9	24.0	-	20.6	21.3	23.4	-	20.1	20.8	22.8	-	19.1	19.8	21.7	-	19.1	19.8	21.7	-	17.7	18.3	20.1	-	
745		S/T	0.75	0.63	0.43	-	0.78	0.65	0.45	-	0.80	0.67	0.46	-	0.82	0.69	0.48	-	0.86	0.71	0.50	-	0.86	0.71	0.50	-	0.86	0.72	0.50	-	
		ΔT	20	17	13	-	20	18	13	-	20	18	13	-	20	18	13	-	20	17	13	-	20	17	13	-	19	16	12	-	
		kW	1.57	1.61	1.66	1.71	1.70	1.73	1.79	1.85	1.81	1.85	1.91	1.98	1.90	1.95	2.01	2.08	1.99	2.03	2.10	2.18	2.06	2.11	2.18	2.26					
75		955	Amps	6.5	6.7	6.9	7.1	7.0	7.2	7.4	7.6	7.6	7.7	8.0	8.3	8.1	8.2	8.5	8.8	8.5	8.7	9.0	9.3	9.0	9.2	9.5	9.9				
			HI PR	234	252	266	278	263	283	299	312	299	322	340	354	341	366	387	404	383	412	435	454	423	456	481	502				
			LO PR	112	119	130	139	118	126	137	146	123	131	143	152	129	137	150	160	135	144	157	168	140	149	163	173				
	850	MBh	23.8	24.5	26.5	28.5	23.2	23.9	25.9	27.8	22.7	23.4	25.3	27.1	22.1	22.8	24.7	26.5	21.0	21.7	23.4	25.2	19.5	20.1	21.7	23.3					
		S/T	0.89	0.79	0.60	0.39	0.92	0.82	0.62	0.40	0.94	0.84	0.64	0.41	0.97	0.87	0.66	0.42	1.00	0.90	0.68	0.44	1.00	0.91	0.69	0.44					
		ΔT	23	21	17	12	23	21	17	12	23	21	17	12	23	21	18	12	23	21	17	12	21	20	16	11					
	745	kW	1.56	1.59	1.64	1.70	1.68	1.72	1.78	1.84	1.79	1.83	1.89	1.96	1.89	1.93	2.00	2.07	1.97	2.02	2.08	2.16	2.04	2.09	2.16	2.24					
		Amps	6.5	6.6	6.8	7.0	6.9	7.1	7.3	7.6	7.5	7.7	7.9	8.2	8.0	8.2	8.4	8.7	8.5	8.7	8.9	9.3	8.9	9.2	9.4	9.8					
		HI PR	232	250	264	275	260	280	296	309	296	319	336	351	337	363	383	400	379	408	431	450	419	451	476	497					
	75	LO PR	111	118	129	137	117	125	136	145	122	130	141	151	128	136	149	158	134	143	156	166	139	148	161	172					
		MBh	22.0	22.6	24.5	26.3	21.5	22.1	23.9	25.7	20.9	21.6	23.3	25.1	20.4	21.0	22.8	24.4	19.4	20.0	21.6	23.2	18.0	18.5	20.0	21.5					
		S/T	0.85	0.76	0.58	0.37	0.89	0.79	0.60	0.39	0.91	0.81	0.61	0.40	0.94	0.84	0.63	0.41	0.97	0.87	0.66	0.42	0.98	0.88	0.66	0.43					
75	ΔT	23	21	17	12	23	22	18	12	23	22	18	12	24	22	18	12	23	21	18	12	22	20	16	11						
	kW	1.52	1.55	1.60	1.66	1.64	1.68	1.73	1.79	1.75	1.79	1.85	1.91	1.84	1.88	1.95	2.01	1.92	1.96	2.03	2.10	1.99	2.03	2.10	2.18						
	Amps	6.3	6.4	6.6	6.9	6.8	6.9	7.1	7.4	7.3	7.5	7.7	8.0	7.8	8.0	8.2	8.5	8.2	8.4	8.7	9.0	8.7	8.9	9.2	9.5						
75	HI PR	225	242	256	267	253	272	287	299	287	309	326	340	327	352	372	388	368	396	418	436	407	438	462	482						
	LO PR	108	114	125	133	114	121	132	141	118	126	137	146	124	132	144	154	130	138	151	161	135	143	156	166						
	MBh	21.6	22.4	24.5	26.3	21.1	21.9	24.0	25.8	20.6	21.3	23.4	25.2	20.1	20.8	22.8	24.6	19.1	19.8	21.7	23.5	17.7	18.3	20.1	21.8						

IDB: Entering Indoor Dry Bulb Temperature
High and low pressures are measured at the liquid and suction service valves.

Shaded area reflects ACCA (TVA) conditions

kW = Total system power
Amps = outdoor unit amps (comp. + fan)

EXPANDED COOLING DATA — GPD1424070M41** (CONT.)

IDB	AIRFLOW	OUTDOOR AMBIENT TEMPERATURE												ENTERING INDOOR WET BULB TEMPERATURE											
		65°F				75°F				85°F				95°F				105°F				115°F			
		59	63	67	71	59	63	67	71	59	63	67	71	59	63	67	71	59	63	67	71	59	63	67	71
80	MBh	25.0	25.5	27.2	29.1	24.4	24.9	26.6	28.4	23.8	24.3	26.0	27.8	23.2	23.7	25.3	27.1	22.1	22.5	24.1	25.7	20.4	20.9	22.3	23.8
	S/T	1.00	0.96	0.78	0.58	1.00	1.00	0.81	0.60	1.00	1.00	0.83	0.62	1.00	1.00	0.85	0.64	1.00	1.00	0.89	0.66	1.00	1.00	0.89	0.67
	ΔT	24	23	20	16	23	24	21	16	23	23	21	17	22	23	21	17	21	22	21	16	20	20	19	15
	kW	1.58	1.62	1.67	1.73	1.71	1.75	1.81	1.87	1.82	1.86	1.93	1.99	1.92	1.97	2.03	2.10	2.01	2.05	2.12	2.20	2.08	2.13	2.20	2.28
	Amps	6.6	6.7	6.9	7.2	7.1	7.2	7.4	7.7	7.6	7.8	8.0	8.3	8.1	8.3	8.6	8.9	8.6	8.8	9.1	9.4	9.1	9.3	9.6	10.0
	HI PR	237	255	269	281	266	286	302	315	302	325	343	358	344	370	391	408	387	416	440	459	428	460	486	507
	LO PR	113	120	131	140	120	127	139	148	124	132	144	154	131	139	152	161	137	146	159	169	141	151	164	175
	MBh	24.2	24.8	26.4	28.3	23.7	24.2	25.8	27.6	23.1	23.6	25.2	27.0	22.5	23.0	24.6	26.3	21.4	21.9	23.4	25.0	19.8	20.3	21.6	23.1
	S/T	0.97	0.91	0.74	0.55	1.00	0.94	0.77	0.57	1.00	0.97	0.79	0.59	1.00	1.00	0.81	0.61	1.00	1.00	0.84	0.63	1.00	1.00	0.85	0.64
	ΔT	25	24	21	17	26	25	21	17	25	25	22	17	24	25	22	17	23	24	21	17	21	22	20	16
kW	1.57	1.61	1.66	1.71	1.70	1.73	1.79	1.85	1.81	1.85	1.91	1.98	1.90	1.95	2.01	2.08	1.99	2.03	2.10	2.18	2.06	2.11	2.18	2.26	
Amps	6.5	6.7	6.9	7.1	7.0	7.2	7.4	7.6	7.6	7.7	8.0	8.3	8.1	8.2	8.5	8.8	8.5	8.7	9.0	9.3	9.0	9.2	9.5	9.9	
HI PR	234	252	266	278	263	283	299	312	299	322	340	354	341	367	387	404	383	412	435	454	423	456	481	502	
LO PR	112	119	130	139	118	126	137	146	123	131	143	152	129	137	150	160	135	144	157	168	140	149	163	173	
MBh	22.4	22.8	24.4	26.1	21.8	22.3	23.8	25.5	21.3	21.8	23.3	24.9	20.8	21.3	22.7	24.3	19.8	20.2	21.6	23.1	18.3	18.7	20.0	21.4	
S/T	0.94	0.88	0.72	0.53	0.97	0.91	0.74	0.55	1.00	0.93	0.76	0.57	1.03	0.96	0.78	0.59	1.07	1.00	0.81	0.61	1.08	1.01	0.82	0.61	
ΔT	26	25	22	17	26	25	22	17	26	25	22	17	26	25	22	18	26	25	22	17	24	23	20	16	
kW	1.53	1.57	1.62	1.67	1.65	1.69	1.75	1.81	1.76	1.80	1.86	1.92	1.86	1.90	1.96	2.03	1.94	1.98	2.05	2.12	2.01	2.05	2.12	2.20	
Amps	6.3	6.5	6.7	6.9	6.8	7.0	7.2	7.4	7.4	7.5	7.8	8.0	7.8	8.0	8.3	8.6	8.3	8.5	8.8	9.1	8.8	9.0	9.3	9.6	
HI PR	227	245	258	269	255	274	290	302	290	312	330	344	330	356	375	392	372	400	422	441	411	442	467	487	
LO PR	109	116	126	134	115	122	133	142	119	127	139	148	125	133	146	155	131	140	153	163	136	145	158	168	
85	MBh	25.4	25.9	27.1	28.9	24.8	25.3	26.5	28.2	24.2	24.7	25.8	27.6	23.6	24.1	25.2	26.9	22.4	22.9	24.0	25.6	20.8	21.2	22.2	23.7
	S/T	1.00	1.00	0.93	0.75	1.00	1.00	0.96	0.78	1.00	1.00	0.99	0.80	1.00	1.00	1.00	0.83	1.00	1.00	1.00	0.86	1.00	1.00	1.00	0.87
	ΔT	24	25	24	21	24	24	25	21	23	24	25	21	23	23	24	21	22	22	23	21	20	20	21	20
	kW	1.60	1.63	1.69	1.74	1.72	1.76	1.82	1.88	1.84	1.88	1.94	2.01	1.94	1.98	2.05	2.12	2.02	2.07	2.14	2.21	2.10	2.14	2.22	2.30
	Amps	6.6	6.8	7.0	7.2	7.1	7.3	7.5	7.8	7.7	7.9	8.1	8.4	8.2	8.4	8.6	9.0	8.7	8.9	9.2	9.5	9.2	9.4	9.7	10.1
	HI PR	239	257	272	283	268	289	305	318	305	328	347	362	347	374	395	412	391	421	444	463	432	465	491	512
	LO PR	114	122	133	141	121	128	140	149	126	134	146	155	132	140	153	163	138	147	160	171	143	152	166	177
	MBh	24.6	25.1	26.3	28.1	24.1	24.5	25.7	27.4	23.5	24.0	25.1	26.8	22.9	23.4	24.5	26.1	21.8	22.2	23.3	24.8	20.2	20.6	21.5	23.0
	S/T	1.00	0.98	0.89	0.72	1.00	1.00	0.92	0.75	1.00	1.00	0.94	0.77	1.00	1.00	0.97	0.79	1.00	1.00	1.00	0.82	1.00	1.00	1.00	0.83
	ΔT	27	27	25	22	26	27	26	22	25	26	26	22	25	25	26	22	24	24	25	22	22	22	23	21
kW	1.58	1.62	1.67	1.73	1.71	1.75	1.81	1.87	1.82	1.86	1.93	1.99	1.92	1.97	2.03	2.10	2.01	2.05	2.12	2.20	2.08	2.13	2.20	2.28	
Amps	6.6	6.7	6.9	7.2	7.1	7.2	7.4	7.7	7.6	7.8	8.0	8.3	8.1	8.3	8.6	8.9	8.6	8.8	9.1	9.4	9.1	9.3	9.6	10.0	
HI PR	237	255	269	281	266	286	302	315	302	325	343	358	344	370	391	408	387	416	440	459	428	460	486	507	
LO PR	113	120	131	140	120	127	139	148	124	132	144	154	131	139	152	161	137	146	159	169	141	151	164	175	
MBh	22.8	23.2	24.3	25.9	22.2	22.7	23.7	25.3	21.7	22.1	23.2	24.7	21.2	21.6	22.6	24.1	20.1	20.5	21.5	22.9	18.6	19.0	19.9	21.2	
S/T	0.98	0.95	0.86	0.69	1.00	0.98	0.89	0.72	1.00	1.00	0.91	0.74	1.00	1.00	0.94	0.76	1.00	1.00	0.97	0.79	1.00	1.00	0.98	0.80	
ΔT	28	27	26	22	27	27	26	22	27	27	26	22	26	27	26	23	25	25	26	22	23	23	24	21	
kW	1.54	1.58	1.63	1.68	1.67	1.70	1.76	1.82	1.78	1.82	1.88	1.94	1.87	1.91	1.98	2.05	1.95	2.00	2.07	2.14	2.02	2.07	2.14	2.22	
Amps	6.4	6.5	6.7	7.0	6.9	7.0	7.3	7.5	7.4	7.6	7.8	8.1	7.9	8.1	8.3	8.6	8.4	8.6	8.9	9.2	8.9	9.1	9.4	9.7	
HI PR	230	247	261	272	258	277	293	305	293	315	333	347	334	359	379	395	375	404	427	445	415	446	471	492	
LO PR	110	117	127	136	116	123	135	143	121	128	140	149	127	135	147	157	133	141	154	164	137	146	159	170	

IDB: Entering Indoor Dry Bulb Temperature
 High and low pressures are measured at the liquid and suction service valves.
 Shaded area reflects AHRI (TVA) conditions
 kW = Total system power
 Amps = outdoor unit amps (comp. + fan)

EXPANDED COOLING DATA — GPD1430090M41**

IDB	AIRFLOW	OUTDOOR AMBIENT TEMPERATURE												ENTERING INDOOR WET BULB TEMPERATURE											
		65°F				75°F				85°F				95°F				105°F				115°F			
		59	63	67	71	59	63	67	71	59	63	67	71	59	63	67	71	59	63	67	71	59	63	67	71
70	MBh	28.0	29.0	31.8	-	27.3	28.3	31.0	-	26.7	27.6	30.3	-	26.0	27.0	29.6	-	24.7	25.6	28.1	-	22.9	23.7	26.0	-
	S/T	0.82	0.69	0.48	-	0.85	0.71	0.49	-	0.88	0.73	0.51	-	0.90	0.76	0.52	-	0.94	0.78	0.54	-	0.95	0.79	0.55	-
	ΔT	18	16	12	-	18	16	12	-	18	16	12	-	18	16	12	-	18	16	12	-	17	15	11	-
	kW	1.87	1.90	1.96	-	2.01	2.05	2.11	-	2.13	2.18	2.25	-	2.24	2.29	2.37	-	2.34	2.39	2.47	-	2.42	2.47	2.55	-
	Amps	8.2	8.4	8.6	-	8.8	8.9	9.2	-	9.4	9.6	9.9	-	10.0	10.2	10.5	-	10.5	10.7	11.0	-	11.0	11.3	11.6	-
	HI PR	225	242	256	-	253	272	287	-	287	309	326	-	327	352	372	-	368	396	418	-	407	438	462	-
	LO PR	111	118	129	-	117	124	136	-	122	129	141	-	128	136	148	-	134	142	155	-	138	147	161	-
	MBh	27.2	28.2	30.8	-	26.5	27.5	30.1	-	25.9	26.8	29.4	-	25.3	26.2	28.7	-	24.0	24.9	27.3	-	22.2	23.0	25.2	-
	S/T	0.79	0.66	0.45	-	0.81	0.68	0.47	-	0.84	0.70	0.48	-	0.86	0.72	0.50	-	0.89	0.75	0.52	-	0.90	0.75	0.52	-
	ΔT	19	16	12	-	19	17	13	-	19	17	13	-	19	17	13	-	19	16	12	-	18	15	12	-
kW	1.85	1.89	1.95	-	1.99	2.03	2.10	-	2.12	2.16	2.23	-	2.22	2.27	2.35	-	2.32	2.37	2.45	-	2.40	2.45	2.53	-	
Amps	8.2	8.3	8.5	-	8.7	8.9	9.1	-	9.3	9.5	9.8	-	9.9	10.1	10.4	-	10.4	10.6	10.9	-	11.0	11.2	11.5	-	
HI PR	223	240	253	-	250	269	284	-	284	306	323	-	324	349	368	-	365	392	414	-	403	433	458	-	
LO PR	110	117	127	-	116	123	135	-	120	128	140	-	126	135	147	-	133	141	154	-	137	146	159	-	
MBh	25.1	26.0	28.5	-	24.5	25.4	27.8	-	23.9	24.8	27.1	-	23.3	24.2	26.5	-	22.2	23.0	25.2	-	20.5	21.3	23.3	-	
S/T	0.76	0.63	0.44	-	0.79	0.66	0.45	-	0.81	0.67	0.47	-	0.83	0.69	0.48	-	0.86	0.72	0.50	-	0.87	0.73	0.50	-	
ΔT	19	17	13	-	19	17	13	-	19	17	13	-	20	17	13	-	20	17	13	-	18	16	12	-	
kW	1.81	1.85	1.90	-	1.94	1.98	2.05	-	2.06	2.11	2.18	-	2.17	2.22	2.29	-	2.26	2.31	2.38	-	2.34	2.39	2.47	-	
Amps	8.0	8.1	8.4	-	8.5	8.7	8.9	-	9.1	9.3	9.6	-	9.6	9.8	10.1	-	10.2	10.4	10.7	-	10.7	10.9	11.2	-	
HI PR	216	233	246	-	243	261	276	-	276	297	314	-	314	338	357	-	354	380	402	-	391	420	444	-	
LO PR	106	113	124	-	112	120	131	-	117	124	136	-	123	131	142	-	129	137	149	-	133	141	154	-	
75	MBh	28.4	29.3	31.7	34.0	27.8	28.6	31.0	33.2	27.1	27.9	30.2	32.4	26.5	27.2	29.5	31.7	25.1	25.9	28.0	30.1	23.3	24.0	26.0	27.9
	S/T	0.94	0.84	0.63	0.41	0.97	0.87	0.66	0.42	1.00	0.89	0.67	0.43	1.00	0.92	0.70	0.45	1.00	0.95	0.72	0.46	1.00	0.96	0.73	0.47
	ΔT	21	19	16	11	21	20	16	11	21	20	16	11	21	20	16	11	20	19	16	11	18	18	15	10
	kW	1.88	1.92	1.98	2.04	2.02	2.07	2.13	2.20	2.15	2.20	2.27	2.34	2.26	2.31	2.39	2.47	2.36	2.41	2.49	2.57	2.44	2.49	2.57	2.66
	Amps	8.3	8.4	8.7	8.9	8.8	9.0	9.3	9.6	9.5	9.7	9.9	10.3	10.0	10.2	10.5	10.9	10.6	10.8	11.1	11.5	11.1	11.4	11.7	12.1
	HI PR	227	245	258	270	255	275	290	302	290	312	330	344	331	356	376	392	372	400	423	441	411	442	467	487
	LO PR	112	119	130	138	118	126	137	146	123	131	143	152	129	137	150	160	135	144	157	167	140	149	162	173
	MBh	27.6	28.4	30.8	33.0	27.0	27.8	30.1	32.3	26.3	27.1	29.3	31.5	25.7	26.5	28.6	30.7	24.4	25.1	27.2	29.2	22.6	23.3	25.2	27.0
	S/T	0.89	0.80	0.60	0.39	0.93	0.83	0.63	0.40	0.95	0.85	0.64	0.41	0.98	0.88	0.66	0.43	1.00	0.91	0.69	0.44	1.00	0.92	0.69	0.45
	ΔT	22	20	16	11	22	20	17	12	22	20	17	12	22	20	17	12	22	20	17	11	20	19	15	11
kW	1.87	1.90	1.96	2.03	2.01	2.05	2.12	2.18	2.13	2.18	2.25	2.32	2.24	2.29	2.37	2.44	2.34	2.39	2.47	2.55	2.42	2.47	2.55	2.64	
Amps	8.2	8.4	8.6	8.9	8.8	8.9	9.2	9.5	9.4	9.6	9.9	10.2	10.0	10.2	10.5	10.8	10.5	10.7	11.0	11.4	11.0	11.3	11.6	12.0	
HI PR	225	242	256	267	253	272	287	299	287	309	327	341	327	352	372	388	368	396	418	436	407	438	462	482	
LO PR	111	118	129	137	117	125	136	145	122	129	141	150	128	136	148	158	134	142	156	166	139	147	161	171	
MBh	25.5	26.2	28.4	30.5	24.9	25.6	27.8	29.8	24.3	25.0	27.1	29.1	23.7	24.4	26.4	28.4	22.5	23.2	25.1	26.9	20.9	21.5	23.3	25.0	
S/T	0.86	0.77	0.58	0.38	0.89	0.80	0.60	0.39	0.92	0.82	0.62	0.40	0.94	0.85	0.64	0.41	0.98	0.88	0.66	0.43	0.99	0.88	0.67	0.43	
ΔT	22	20	17	12	22	21	17	12	22	21	17	12	23	21	17	12	22	21	17	12	21	19	16	11	
kW	1.82	1.86	1.92	1.98	1.96	2.00	2.06	2.13	2.08	2.13	2.19	2.26	2.19	2.24	2.31	2.38	2.28	2.33	2.40	2.48	2.36	2.41	2.49	2.57	
Amps	8.0	8.2	8.4	8.7	8.6	8.7	9.0	9.3	9.2	9.4	9.6	9.9	9.7	9.9	10.2	10.5	10.3	10.5	10.8	11.1	10.8	11.0	11.3	11.7	
HI PR	218	235	248	259	245	264	279	291	279	300	317	330	317	342	361	376	357	384	406	423	395	425	448	468	
LO PR	107	114	125	133	114	121	132	140	118	126	137	146	124	132	144	153	130	138	151	161	134	143	156	166	

IDB: Entering Indoor Dry Bulb Temperature
 High and low pressures are measured at the liquid and suction service valves.
 Shaded area reflects ACCA (TVA) conditions
 kW = Total system power
 Amps = outdoor unit amps (comp. + fan)

EXPANDED COOLING DATA — GPD1430090M41** (CONT.)

IDB	AIRFLOW	OUTDOOR AMBIENT TEMPERATURE												ENTERING INDOOR WET BULB TEMPERATURE											
		65°F				75°F				85°F				95°F				105°F				115°F			
		59	63	67	71	59	63	67	71	59	63	67	71	59	63	67	71	59	63	67	71	59	63	67	71
80	MBh	29.0	29.6	31.6	33.8	28.3	28.9	30.9	33.0	27.6	28.2	30.1	32.2	26.9	27.5	29.4	31.4	25.6	26.1	27.9	29.9	23.7	24.2	25.9	27.7
	S/T	1.00	0.96	0.78	0.59	1.00	1.00	0.81	0.61	1.00	1.00	0.83	0.62	1.00	1.00	0.86	0.64	1.00	1.00	0.89	0.67	1.00	1.00	0.90	0.67
	ΔT	23	22	19	16	22	23	20	16	22	22	20	16	21	22	20	16	20	21	20	16	19	19	18	15
	kW	1.90	1.94	2.00	2.06	2.04	2.08	2.15	2.22	2.17	2.21	2.29	2.36	2.28	2.33	2.41	2.49	2.38	2.43	2.51	2.59	2.46	2.51	2.60	2.68
	Amps	8.3	8.5	8.7	9.0	8.9	9.1	9.3	9.6	9.6	9.7	10.0	10.4	10.1	10.3	10.6	11.0	10.7	10.9	11.2	11.6	11.2	11.5	11.8	12.2
	HI PR	230	247	261	272	258	277	293	306	293	316	333	347	334	359	379	396	376	404	427	445	415	447	472	492
	LO PR	113	120	131	140	119	127	139	148	124	132	144	154	130	139	151	161	137	145	159	169	141	150	164	175
	MBh	28.1	28.7	30.7	32.8	27.5	28.1	30.0	32.0	26.8	27.4	29.3	31.3	26.2	26.7	28.5	30.5	24.8	25.4	27.1	29.0	23.0	23.5	25.1	26.9
	S/T	0.98	0.92	0.75	0.56	1.00	0.95	0.78	0.58	1.00	0.98	0.79	0.59	1.00	1.00	0.82	0.61	1.00	1.00	0.85	0.64	1.00	1.00	0.86	0.64
	ΔT	24	23	20	16	24	24	21	16	24	24	21	16	23	24	21	17	22	22	20	16	21	21	19	15
kW	1.88	1.92	1.98	2.04	2.02	2.07	2.13	2.20	2.15	2.20	2.27	2.34	2.26	2.31	2.39	2.47	2.36	2.41	2.49	2.57	2.44	2.49	2.57	2.66	
Amps	8.3	8.4	8.7	8.9	8.8	9.0	9.3	9.6	9.5	9.7	9.9	10.3	10.0	10.2	10.5	10.9	10.6	10.8	11.1	11.5	11.1	11.4	11.7	12.1	
HI PR	227	245	258	270	255	275	290	303	290	312	330	344	331	356	376	392	372	400	423	441	411	442	467	487	
LO PR	112	119	130	138	118	126	137	146	123	131	143	152	129	137	150	160	135	144	157	167	140	149	162	173	
MBh	25.9	26.5	28.3	30.3	25.3	25.9	27.7	29.6	24.7	25.3	27.0	28.9	24.1	24.7	26.4	28.2	22.9	23.4	25.0	26.8	21.2	21.7	23.2	24.8	
S/T	0.94	0.89	0.72	0.54	0.98	0.92	0.75	0.56	1.00	0.94	0.77	0.57	1.04	0.97	0.79	0.59	1.08	1.01	0.82	0.61	1.00	1.02	0.83	0.62	
ΔT	25	24	21	16	25	24	21	17	25	24	21	17	25	24	21	17	25	24	21	17	21	22	19	15	
kW	1.84	1.87	1.93	1.99	1.98	2.02	2.08	2.15	2.10	2.14	2.21	2.28	2.21	2.25	2.33	2.40	2.30	2.35	2.42	2.51	2.38	2.43	2.51	2.59	
Amps	8.1	8.3	8.5	8.7	8.6	8.8	9.1	9.3	9.3	9.4	9.7	10.0	9.8	10.0	10.3	10.6	10.3	10.6	10.9	11.2	10.9	11.1	11.4	11.8	
HI PR	221	237	251	262	248	266	281	293	282	303	320	334	321	345	364	380	361	388	410	428	399	429	453	472	
LO PR	109	115	126	134	115	122	133	142	119	127	138	147	125	133	145	155	131	140	152	162	136	144	158	168	
85	MBh	29.5	30.0	31.5	33.6	28.8	29.3	30.7	32.8	28.1	28.6	30.0	32.0	27.4	27.9	29.3	31.2	26.0	26.5	27.8	29.7	24.1	24.6	25.7	27.5
	S/T	1.00	1.00	0.94	0.76	1.00	1.00	0.97	0.79	1.00	1.00	0.90	0.81	1.00	1.00	0.90	0.83	1.00	1.00	0.90	0.87	1.00	1.00	1.00	0.87
	ΔT	23	24	23	20	23	23	23	20	22	23	23	20	22	22	23	20	20	21	22	20	19	19	20	19
	kW	1.91	1.95	2.01	2.08	2.06	2.10	2.17	2.24	2.19	2.23	2.30	2.38	2.30	2.35	2.43	2.51	2.40	2.45	2.53	2.61	2.48	2.53	2.62	2.71
	Amps	8.4	8.6	8.8	9.1	9.0	9.2	9.4	9.7	9.6	9.8	10.1	10.4	10.2	10.4	10.7	11.1	10.8	11.0	11.3	11.7	11.3	11.6	11.9	12.3
	HI PR	232	250	264	275	260	280	296	309	296	319	336	351	337	363	383	400	379	408	431	450	419	451	476	497
	LO PR	114	121	133	141	121	128	140	149	125	133	146	155	132	140	153	163	138	147	160	171	143	152	166	177
	MBh	28.6	29.2	30.5	32.6	27.9	28.5	29.8	31.8	27.3	27.8	29.1	31.1	26.6	27.1	28.4	30.3	25.3	25.8	27.0	28.8	23.4	23.9	25.0	26.7
	S/T	1.00	0.99	0.89	0.73	1.00	1.00	0.93	0.75	1.00	1.00	0.95	0.77	1.00	1.00	0.98	0.80	1.00	1.00	0.90	0.83	1.00	1.00	1.00	0.83
	ΔT	25	26	24	21	25	25	24	21	24	25	24	21	24	24	25	21	22	23	24	21	21	21	22	20
kW	1.90	1.94	2.00	2.06	2.04	2.08	2.15	2.22	2.17	2.21	2.29	2.36	2.28	2.33	2.41	2.49	2.38	2.43	2.51	2.59	2.46	2.51	2.60	2.68	
Amps	8.3	8.5	8.7	9.0	8.9	9.1	9.3	9.6	9.6	9.7	10.0	10.4	10.1	10.3	10.6	11.0	10.7	10.9	11.2	11.6	11.2	11.5	11.8	12.2	
HI PR	230	247	261	272	258	277	293	306	293	316	333	347	334	359	379	396	376	404	427	445	415	447	472	492	
LO PR	113	120	131	140	119	127	139	148	124	132	144	154	130	139	151	161	137	145	159	169	141	150	164	175	
MBh	26.4	26.9	28.2	30.1	25.8	26.3	27.5	29.4	25.2	25.7	26.9	28.7	24.6	25.0	26.2	28.0	23.3	23.8	24.9	26.6	21.6	22.0	23.1	24.6	
S/T	0.99	0.96	0.86	0.70	1.00	0.99	0.89	0.73	1.00	1.00	0.92	0.74	1.00	1.00	0.95	0.77	1.00	1.00	0.98	0.80	1.00	1.00	0.99	0.80	
ΔT	26	26	25	21	26	26	25	22	25	26	25	22	25	25	25	22	24	24	25	22	22	22	23	20	
kW	1.85	1.89	1.95	2.01	1.99	2.03	2.10	2.17	2.11	2.16	2.23	2.30	2.22	2.27	2.35	2.42	2.32	2.37	2.45	2.53	2.40	2.45	2.53	2.62	
Amps	8.2	8.3	8.5	8.8	8.7	8.9	9.1	9.4	9.3	9.5	9.8	10.1	9.9	10.1	10.4	10.7	10.4	10.6	10.9	11.3	10.9	11.2	11.5	11.9	
HI PR	223	240	253	264	250	269	284	296	284	306	323	337	324	349	368	384	364	392	414	432	403	433	458	477	
LO PR	110	117	127	136	116	123	135	143	120	128	140	149	126	135	147	156	133	141	154	164	137	146	159	170	

IDB: Entering Indoor Dry Bulb Temperature
 High and low pressures are measured at the liquid and suction service valves.
 Shaded area reflects AHRI (TVA) conditions
 kW = Total system power
 Amps = outdoor unit amps (comp. + fan)

EXPANDED COOLING DATA — GPD1436090M41**

IDB	AIRFLOW	OUTDOOR AMBIENT TEMPERATURE												ENTERING INDOOR WET BULB TEMPERATURE												
		65°F				75°F				85°F				95°F				105°F				115°F				
		59	63	67	71	59	63	67	71	59	63	67	71	59	63	67	71	59	63	67	71	59	63	67	71	
70	1170	MBh	34.8	36.0	39.5	-	34.0	35.2	38.6	-	33.1	34.4	37.6	-	32.3	33.5	36.7	-	30.7	31.8	34.9	-	28.5	29.5	32.3	-
		S/T	0.73	0.61	0.42	-	0.75	0.63	0.44	-	0.77	0.64	0.45	-	0.80	0.66	0.46	-	0.83	0.69	0.48	-	0.83	0.70	0.48	-
	ΔT	20	17	13	-	20	17	13	-	20	17	13	-	20	18	13	-	20	17	13	-	19	16	12	-	
	kW	2.32	2.37	2.45	-	2.51	2.56	2.65	-	2.67	2.73	2.82	-	2.81	2.88	2.97	-	2.93	3.00	3.10	-	3.04	3.11	3.21	-	
	Amps	10.3	10.5	10.8	-	11.0	11.3	11.6	-	11.9	12.1	12.5	-	12.6	12.8	13.2	-	13.3	13.6	14.0	-	14.0	14.3	14.7	-	
	HI PR	240	258	272	-	269	289	305	-	306	329	347	-	348	375	396	-	392	422	445	-	433	466	492	-	
	LO PR	108	115	126	-	115	122	133	-	119	127	138	-	125	133	145	-	131	139	152	-	136	144	157	-	
	1040	MBh	33.8	35.0	38.3	-	33.0	34.2	37.4	-	32.2	33.4	36.5	-	31.4	32.5	35.7	-	29.8	30.9	33.9	-	27.6	28.6	31.4	-
		S/T	0.69	0.58	0.40	-	0.72	0.60	0.41	-	0.74	0.61	0.43	-	0.76	0.63	0.44	-	0.79	0.66	0.46	-	0.79	0.66	0.46	-
	ΔT	21	18	14	-	21	18	14	-	21	18	14	-	21	18	14	-	21	18	14	-	19	17	13	-	
kW	2.30	2.35	2.43	-	2.49	2.54	2.62	-	2.65	2.71	2.80	-	2.79	2.85	2.95	-	2.91	2.97	3.08	-	3.01	3.08	3.19	-		
Amps	10.2	10.4	10.7	-	10.9	11.2	11.5	-	11.8	12.0	12.4	-	12.5	12.7	13.1	-	13.2	13.5	13.9	-	13.9	14.2	14.6	-		
HI PR	237	255	270	-	266	286	302	-	303	326	344	-	345	371	392	-	388	417	441	-	429	461	487	-		
LO PR	107	114	125	-	113	121	132	-	118	125	137	-	124	132	144	-	130	138	151	-	134	143	156	-		
910	MBh	31.2	32.3	35.4	-	30.4	31.5	34.6	-	29.7	30.8	33.7	-	29.0	30.0	32.9	-	27.5	28.5	31.3	-	25.5	26.4	29.0	-	
	S/T	0.67	0.56	0.39	-	0.69	0.58	0.40	-	0.71	0.59	0.41	-	0.73	0.61	0.42	-	0.76	0.63	0.44	-	0.77	0.64	0.44	-	
ΔT	21	18	14	-	21	18	14	-	21	18	14	-	21	19	14	-	21	18	14	-	20	17	13	-		
kW	2.25	2.30	2.37	-	2.42	2.48	2.56	-	2.58	2.64	2.72	-	2.72	2.78	2.87	-	2.83	2.90	3.00	-	2.93	3.00	3.10	-		
Amps	10.0	10.2	10.5	-	10.7	10.9	11.2	-	11.5	11.7	12.1	-	12.2	12.4	12.8	-	12.9	13.1	13.5	-	13.5	13.8	14.3	-		
HI PR	230	248	261	-	258	278	293	-	294	316	334	-	334	360	380	-	376	405	428	-	416	447	472	-		
LO PR	104	111	121	-	110	117	128	-	114	122	133	-	120	128	139	-	126	134	146	-	130	138	151	-		
75	1170	MBh	35.4	36.4	39.4	42.3	34.5	35.6	38.5	41.3	33.7	34.7	37.6	40.3	32.9	33.9	36.7	39.3	31.2	32.2	34.8	37.4	28.9	29.8	32.3	34.6
		S/T	0.82	0.74	0.56	0.36	0.85	0.76	0.58	0.37	0.88	0.78	0.59	0.38	0.90	0.81	0.61	0.39	0.94	0.84	0.64	0.41	0.95	0.85	0.64	0.41
	ΔT	23	21	17	12	23	21	18	12	23	21	18	12	23	22	18	12	23	21	17	12	22	20	16	11	
	kW	2.34	2.39	2.47	2.55	2.53	2.58	2.67	2.76	2.69	2.75	2.84	2.94	2.84	2.90	3.00	3.10	2.96	3.03	3.13	3.24	3.06	3.14	3.24	3.35	
	Amps	10.4	10.6	10.9	11.3	11.1	11.4	11.7	12.1	12.0	12.2	12.6	13.0	12.7	13.0	13.3	13.8	13.4	13.7	14.1	14.6	14.1	14.4	14.9	15.4	
	HI PR	242	260	275	287	272	292	309	322	309	332	351	366	352	379	400	417	396	426	450	469	437	471	497	518	
	LO PR	109	116	127	135	116	123	134	143	120	128	140	149	126	134	147	156	132	141	154	164	137	146	159	169	
	1040	MBh	34.3	35.3	38.3	41.1	33.5	34.5	37.4	40.1	32.7	33.7	36.5	39.1	31.9	32.9	35.6	38.2	30.3	31.2	33.8	36.3	28.1	28.9	31.3	33.6
		S/T	0.79	0.70	0.53	0.34	0.82	0.73	0.55	0.36	0.84	0.75	0.57	0.36	0.86	0.77	0.58	0.38	0.90	0.80	0.61	0.39	0.90	0.81	0.61	0.39
	ΔT	24	22	18	12	24	22	18	13	24	22	18	13	24	22	18	13	24	22	18	13	22	21	17	12	
kW	2.32	2.37	2.45	2.53	2.51	2.56	2.65	2.74	2.67	2.73	2.82	2.92	2.81	2.88	2.97	3.07	2.93	3.00	3.10	3.21	3.04	3.11	3.21	3.33		
Amps	10.3	10.5	10.8	11.2	11.0	11.3	11.6	12.0	11.9	12.1	12.5	12.9	12.6	12.9	13.2	13.7	13.3	13.6	14.0	14.5	14.0	14.3	14.7	15.3		
HI PR	240	258	272	284	269	289	306	319	306	329	348	362	348	375	396	413	392	422	445	464	433	466	492	513		
LO PR	108	115	126	134	115	122	133	142	119	127	138	147	125	133	145	155	131	139	152	162	136	144	157	168		
910	MBh	31.7	32.6	35.3	37.9	30.9	31.9	34.5	37.0	30.2	31.1	33.7	36.1	29.5	30.3	32.8	35.3	28.0	28.8	31.2	33.5	25.9	26.7	28.9	31.0	
	S/T	0.76	0.68	0.51	0.33	0.79	0.70	0.53	0.34	0.81	0.72	0.55	0.35	0.83	0.74	0.56	0.36	0.86	0.77	0.58	0.38	0.87	0.78	0.59	0.38	
ΔT	24	22	18	13	25	23	19	13	25	23	19	13	25	23	19	13	24	22	18	13	23	21	17	12		
kW	2.27	2.32	2.39	2.47	2.44	2.50	2.58	2.67	2.60	2.66	2.75	2.84	2.74	2.80	2.90	2.99	2.86	2.92	3.02	3.13	2.96	3.03	3.13	3.24		
Amps	10.1	10.3	10.6	10.9	10.8	11.0	11.3	11.7	11.6	11.8	12.2	12.6	12.3	12.5	12.9	13.3	13.0	13.2	13.6	14.1	13.7	14.0	14.4	14.9		
HI PR	232	250	264	276	261	281	296	309	297	319	337	352	338	364	384	400	380	409	432	450	420	452	477	498		
LO PR	105	112	122	130	111	118	129	137	115	123	134	143	121	129	141	150	127	135	148	157	131	140	153	163		

IDB: Entering Indoor Dry Bulb Temperature
 High and low pressures are measured at the liquid and suction service valves.
 Shaded area reflects ACCA (TVA) conditions
 kW = Total system power
 Amps = outdoor unit amps (comp. + fan)

EXPANDED COOLING DATA — GPD1436090M41** (CONT.)

IDB	AIRFLOW	OUTDOOR AMBIENT TEMPERATURE												ENTERING INDOOR WET BULB TEMPERATURE											
		65°F				75°F				85°F				95°F				105°F				115°F			
		59	63	67	71	59	63	67	71	59	63	67	71	59	63	67	71	59	63	67	71	59	63	67	71
80	MBh	36.0	36.8	39.3	42.0	35.1	35.9	38.4	41.0	34.3	35.1	37.5	40.0	33.5	34.2	36.5	39.1	31.8	32.5	34.7	37.1	29.5	30.1	32.2	34.4
	S/T	0.90	0.85	0.69	0.52	0.94	0.88	0.72	0.53	0.96	0.90	0.73	0.55	1.00	0.93	0.76	0.57	1.00	0.97	0.79	0.59	1.00	1.00	0.79	0.59
	ΔT	26	25	21	17	26	25	22	17	26	25	22	17	26	25	22	17	25	25	21	17	23	24	20	16
	kW	2.36	2.41	2.49	2.57	2.55	2.61	2.69	2.78	2.71	2.78	2.87	2.97	2.86	2.93	3.02	3.13	2.98	3.05	3.16	3.27	3.09	3.16	3.27	3.38
	Amps	10.5	10.7	11.0	11.4	11.2	11.4	11.8	12.2	12.1	12.3	12.7	13.1	12.8	13.1	13.5	13.9	13.5	13.8	14.2	14.7	14.2	14.6	15.0	15.5
	HI PR	244	263	278	290	274	295	312	325	312	336	355	370	355	382	404	421	400	430	454	474	442	475	502	524
	LO PR	111	118	128	137	117	124	136	145	121	129	141	150	128	136	148	158	134	142	155	165	138	147	161	171
	MBh	34.9	35.7	38.1	40.8	34.1	34.9	37.3	39.8	33.3	34.0	36.4	38.9	32.5	33.2	35.5	37.9	30.9	31.5	33.7	36.0	28.6	29.2	31.2	33.4
	S/T	0.86	0.81	0.66	0.49	0.89	0.84	0.68	0.51	0.92	0.86	0.70	0.52	0.95	0.89	0.72	0.54	0.98	0.92	0.75	0.56	0.99	0.93	0.76	0.57
	ΔT	27	26	22	18	27	26	22	18	27	26	23	18	27	26	23	18	27	26	22	18	25	24	21	17
kW	2.34	2.39	2.47	2.55	2.53	2.58	2.67	2.76	2.69	2.75	2.84	2.94	2.84	2.90	3.00	3.10	2.96	3.03	3.13	3.24	3.07	3.14	3.24	3.36	
Amps	10.4	10.6	10.9	11.3	11.1	11.4	11.7	12.1	12.0	12.2	12.6	13.0	12.7	13.0	13.3	13.8	13.4	13.7	14.1	14.6	14.1	14.4	14.9	15.4	
HI PR	242	260	275	287	272	292	309	322	309	332	351	366	352	379	400	417	396	426	450	469	437	471	497	518	
LO PR	110	117	127	135	116	123	134	143	120	128	140	149	126	134	147	156	132	141	154	164	137	146	159	169	
MBh	32.2	33.0	35.2	37.6	31.5	32.2	34.4	36.8	30.7	31.4	33.6	35.9	30.0	30.7	32.7	35.0	28.5	29.1	31.1	33.3	26.4	27.0	28.8	30.8	
S/T	0.83	0.78	0.64	0.47	0.86	0.81	0.66	0.49	0.88	0.83	0.67	0.50	0.91	0.86	0.70	0.52	0.95	0.89	0.72	0.54	0.96	0.90	0.73	0.54	
ΔT	27	26	23	18	27	26	23	18	27	26	23	18	28	27	23	18	27	26	23	18	25	24	21	17	
kW	2.28	2.33	2.41	2.49	2.46	2.52	2.60	2.69	2.62	2.68	2.77	2.87	2.76	2.83	2.92	3.02	2.88	2.95	3.05	3.15	2.99	3.05	3.16	3.27	
Amps	10.2	10.4	10.7	11.0	10.9	11.1	11.4	11.8	11.7	11.9	12.3	12.7	12.4	12.6	13.0	13.5	13.1	13.4	13.8	14.2	13.8	14.1	14.5	15.0	
HI PR	235	253	267	278	263	284	299	312	300	322	340	355	341	367	388	404	384	413	436	455	424	456	482	503	
LO PR	106	113	123	131	112	119	130	139	117	124	135	144	123	130	142	152	128	137	149	159	133	141	154	164	
85	MBh	36.6	37.3	39.1	41.7	35.8	36.5	38.2	40.7	34.9	35.6	37.3	39.8	34.1	34.7	36.4	38.8	32.4	33.0	34.5	36.9	30.0	30.6	32.0	34.1
	S/T	0.95	0.92	0.83	0.67	0.98	0.95	0.86	0.69	1.00	0.97	0.88	0.71	1.00	1.00	0.91	0.74	1.00	1.00	0.94	0.76	1.00	1.00	0.90	0.73
	ΔT	27	27	25	22	28	27	26	22	27	27	26	22	27	27	26	22	25	26	26	22	24	24	24	21
	kW	2.38	2.43	2.51	2.60	2.57	2.63	2.71	2.81	2.74	2.80	2.89	2.99	2.88	2.95	3.05	3.15	3.01	3.08	3.18	3.29	3.12	3.19	3.30	3.41
	Amps	10.6	10.8	11.1	11.4	11.3	11.5	11.9	12.3	12.2	12.4	12.8	13.2	12.9	13.2	13.6	14.0	13.6	13.9	14.3	14.8	14.4	14.7	15.1	15.6
	HI PR	247	266	281	293	277	298	315	328	315	339	358	373	359	386	408	425	404	434	459	479	446	480	507	529
	LO PR	112	119	130	138	118	126	137	146	123	130	142	152	129	137	150	159	135	144	157	167	140	149	162	173
	MBh	35.5	36.2	37.9	40.5	34.7	35.4	37.1	39.5	33.9	34.5	36.2	38.6	33.1	33.7	35.3	37.7	31.4	32.0	33.5	35.8	29.1	29.7	31.1	33.1
	S/T	0.90	0.87	0.79	0.64	0.94	0.90	0.82	0.66	0.96	0.93	0.84	0.68	0.99	0.96	0.86	0.70	1.00	0.99	0.90	0.73	1.00	1.00	0.90	0.73
	ΔT	28	28	26	23	29	28	27	23	29	28	27	23	29	29	27	23	28	28	27	23	26	26	25	21
kW	2.36	2.41	2.49	2.57	2.55	2.61	2.69	2.78	2.71	2.78	2.87	2.97	2.86	2.93	3.02	3.13	2.98	3.05	3.16	3.27	3.09	3.16	3.27	3.38	
Amps	10.5	10.7	11.0	11.4	11.2	11.4	11.8	12.2	12.1	12.3	12.7	13.1	12.8	13.1	13.5	13.9	13.5	13.8	14.2	14.7	14.2	14.6	15.0	15.5	
HI PR	244	263	278	290	274	295	312	325	312	336	355	370	355	382	404	421	400	430	454	474	442	475	502	524	
LO PR	111	118	128	137	117	124	136	145	121	129	141	150	128	136	148	158	134	142	155	165	138	147	161	171	
MBh	32.8	33.4	35.0	37.4	32.0	32.7	34.2	36.5	31.3	31.9	33.4	35.6	30.5	31.1	32.6	34.8	29.0	29.6	31.0	33.0	26.9	27.4	28.7	30.6	
S/T	0.87	0.84	0.76	0.62	0.90	0.87	0.79	0.64	0.93	0.89	0.81	0.65	0.96	0.92	0.83	0.68	0.99	0.96	0.86	0.70	1.00	0.97	0.87	0.71	
ΔT	29	28	27	23	29	29	27	24	29	29	27	24	30	29	27	24	29	29	27	23	27	27	25	22	
kW	2.30	2.35	2.43	2.51	2.49	2.54	2.62	2.71	2.65	2.70	2.79	2.89	2.79	2.85	2.95	3.05	2.91	2.97	3.07	3.18	3.01	3.08	3.19	3.30	
Amps	10.2	10.4	10.7	11.1	10.9	11.2	11.5	11.9	11.8	12.0	12.4	12.8	12.5	12.7	13.1	13.6	13.2	13.5	13.9	14.3	13.9	14.2	14.6	15.1	
HI PR	237	255	269	281	266	286	302	315	303	326	344	359	345	371	392	409	388	417	441	460	428	461	487	508	
LO PR	107	114	125	133	113	121	132	140	118	125	137	146	124	132	144	153	130	138	151	160	134	143	156	166	

IDB: Entering Indoor Dry Bulb Temperature
 High and low pressures are measured at the liquid and suction service valves.
 Shaded area reflects AHRI (TVA) conditions
 kW = Total system power
 Amps = outdoor unit amps (comp. + fan)

EXPANDED COOLING DATA — GPD1442115M41**

IDB	AIRFLOW	OUTDOOR AMBIENT TEMPERATURE												ENTERING INDOOR WET BULB TEMPERATURE													
		65°F				75°F				85°F				95°F				105°F				115°F					
		59	63	67	71	59	63	67	71	59	63	67	71	59	63	67	71	59	63	67	71	59	63	67	71		
70	1575	MBh	42.3	43.9	48.1	-	41.3	42.8	46.9	-	40.4	41.8	45.8	-	39.4	40.8	44.7	-	37.4	38.8	42.5	-	34.6	35.9	39.3	-	
		S/T	0.77	0.64	0.45	-	0.80	0.67	0.46	-	0.82	0.69	0.47	-	0.85	0.71	0.49	-	0.88	0.73	0.51	-	0.89	0.74	0.51	-	
		ΔT	19	17	13	-	19	17	13	-	19	17	13	-	19	17	13	-	19	17	13	-	18	16	12	-	
	1400	kW	2.74	2.79	2.88	-	2.94	3.00	3.09	-	3.12	3.18	3.28	-	3.27	3.34	3.45	-	3.41	3.48	3.59	-	3.52	3.60	3.71	-	
		Amps	11.6	11.9	12.2	-	12.5	12.7	13.1	-	13.4	13.7	14.1	-	14.2	14.5	14.9	-	15.0	15.3	15.8	-	15.8	16.2	16.7	-	
		HI PR	236	254	268	-	265	285	301	-	301	324	342	-	343	369	390	-	386	415	438	-	426	459	484	-	
	1225	LO PR	113	120	131	-	119	127	138	-	124	132	144	-	130	138	151	-	136	145	158	-	141	150	163	-	
		MBh	41.1	42.6	46.7	-	40.1	41.6	45.6	-	39.2	40.6	44.5	-	38.2	39.6	43.4	-	36.3	37.6	41.2	-	33.6	34.9	38.2	-	
		S/T	0.74	0.61	0.43	-	0.76	0.64	0.44	-	0.78	0.65	0.45	-	0.81	0.67	0.47	-	0.84	0.70	0.48	-	0.85	0.71	0.49	-	
	75	1575	ΔT	20	17	13	-	20	17	13	-	20	17	13	-	20	18	13	-	20	17	13	-	19	16	12	-
			kW	2.72	2.77	2.86	-	2.92	2.98	3.07	-	3.09	3.16	3.26	-	3.25	3.32	3.42	-	3.38	3.45	3.56	-	3.49	3.57	3.68	-
			Amps	11.6	11.8	12.1	-	12.4	12.6	13.0	-	13.3	13.6	14.0	-	14.1	14.4	14.8	-	14.9	15.2	15.7	-	15.7	16.0	16.5	-
1400		HI PR	233	251	265	-	262	282	298	-	298	321	339	-	339	365	386	-	382	411	434	-	422	454	479	-	
		LO PR	111	119	129	-	118	125	137	-	122	130	142	-	129	137	149	-	135	143	156	-	139	148	162	-	
		MBh	37.9	39.3	43.1	-	37.0	38.4	42.1	-	36.2	37.5	41.1	-	35.3	36.6	40.1	-	33.5	34.7	38.1	-	31.0	32.2	35.3	-	
1225		S/T	0.71	0.59	0.41	-	0.74	0.61	0.43	-	0.75	0.63	0.44	-	0.78	0.65	0.45	-	0.81	0.68	0.47	-	0.82	0.68	0.47	-	
		ΔT	20	17	13	-	20	18	13	-	20	18	13	-	21	18	14	-	20	18	13	-	19	16	12	-	
		kW	2.66	2.71	2.79	-	2.85	2.91	3.00	-	3.02	3.08	3.18	-	3.17	3.24	3.34	-	3.30	3.37	3.47	-	3.41	3.48	3.59	-	
1575		Amps	11.3	11.5	11.8	-	12.1	12.3	12.7	-	13.0	13.2	13.6	-	13.7	14.0	14.5	-	14.5	14.8	15.3	-	15.3	15.6	16.1	-	
		HI PR	226	244	257	-	254	273	289	-	289	311	328	-	329	354	374	-	370	399	421	-	409	440	465	-	
		LO PR	108	115	126	-	114	122	133	-	119	126	138	-	125	133	145	-	131	139	152	-	135	144	157	-	
75	1575	MBh	43.0	44.3	48.0	51.5	42.0	43.3	46.9	50.3	41.0	42.3	45.7	49.1	40.0	41.2	44.6	47.9	38.0	39.2	42.4	45.5	35.2	36.3	39.3	42.1	
		S/T	0.88	0.78	0.59	0.38	0.91	0.81	0.62	0.40	0.93	0.83	0.63	0.41	0.96	0.86	0.65	0.42	0.92	0.89	0.68	0.44	1.00	0.90	0.68	0.44	
		ΔT	22	20	17	11	22	21	17	12	22	21	17	12	22	21	17	12	22	20	17	12	21	19	16	11	
	1400	kW	2.76	2.82	2.90	2.99	2.96	3.02	3.12	3.21	3.14	3.21	3.31	3.41	3.30	3.37	3.48	3.59	3.43	3.51	3.62	3.74	3.55	3.63	3.74	3.87	
		Amps	11.7	12.0	12.3	12.7	12.6	12.8	13.2	13.6	13.5	13.8	14.2	14.7	14.3	14.6	15.1	15.6	15.1	15.5	15.9	16.5	15.9	16.3	16.8	17.4	
		HI PR	238	256	271	282	267	288	304	317	304	327	345	360	346	373	393	410	390	419	443	462	430	463	489	510	
	1225	LO PR	114	121	132	141	120	128	140	149	125	133	145	154	131	140	152	162	137	146	160	170	142	151	165	176	
		MBh	41.8	43.0	46.6	50.0	40.8	42.0	45.5	48.8	39.8	41.0	44.4	47.7	38.9	40.0	43.3	46.5	36.9	38.0	41.2	44.2	34.2	35.2	38.1	40.9	
		S/T	0.84	0.75	0.57	0.36	0.87	0.78	0.59	0.38	0.89	0.80	0.60	0.39	0.92	0.82	0.62	0.40	0.95	0.85	0.65	0.41	0.96	0.86	0.65	0.42	
	1575	ΔT	23	21	17	12	23	21	18	12	23	21	18	12	23	22	18	12	23	21	17	12	22	20	16	11	
		kW	2.74	2.79	2.88	2.97	2.94	3.00	3.09	3.19	3.12	3.18	3.28	3.39	3.27	3.34	3.45	3.56	3.41	3.48	3.59	3.71	3.52	3.60	3.71	3.83	
		Amps	11.7	11.9	12.2	12.6	12.5	12.7	13.1	13.5	13.4	13.7	14.1	14.6	14.2	14.5	14.9	15.5	15.0	15.3	15.8	16.3	15.8	16.2	16.7	17.2	
1400	HI PR	236	254	268	280	265	285	301	314	301	324	342	357	343	369	390	406	386	415	438	457	426	459	484	505		
	LO PR	113	120	131	139	119	127	138	147	124	132	144	153	130	138	151	161	136	145	158	168	141	150	164	174		
	MBh	38.6	39.7	43.0	46.1	37.7	38.8	42.0	45.1	48.4	36.8	37.9	41.0	44.0	35.9	36.9	40.0	42.9	34.1	35.1	38.0	40.8	31.6	32.5	35.2	37.8	
1225	S/T	0.81	0.72	0.55	0.35	0.84	0.75	0.57	0.36	0.86	0.77	0.58	0.37	0.89	0.79	0.60	0.39	0.92	0.82	0.62	0.40	0.93	0.83	0.63	0.40		
	ΔT	23	22	18	12	24	22	18	12	24	22	18	12	24	22	18	12	23	22	18	12	22	20	17	11		
	kW	2.68	2.73	2.81	2.90	2.87	2.93	3.02	3.11	3.04	3.11	3.20	3.30	3.20	3.26	3.36	3.47	3.32	3.39	3.50	3.62	3.44	3.51	3.62	3.74		
1575	Amps	11.4	11.6	11.9	12.3	12.2	12.4	12.8	13.2	13.1	13.4	13.7	14.2	13.9	14.2	14.6	15.1	14.6	15.0	15.4	15.9	15.4	15.8	16.2	16.8		
	HI PR	229	246	260	271	257	276	292	304	292	314	332	346	333	358	378	394	374	403	425	443	413	445	470	490		
	LO PR	109	116	127	135	115	123	134	143	120	128	139	148	126	134	146	156	132	140	153	163	137	145	159	169		

IDB: Entering Indoor Dry Bulb Temperature
 High and low pressures are measured at the liquid and suction service valves.
 Shaded area reflects ACCA (TVA) conditions
 kW = Total system power
 Amps = outdoor unit amps (comp. + fan)

EXPANDED COOLING DATA — GPD1442115M41** (CONT.)

IDB	AIRFLOW	OUTDOOR AMBIENT TEMPERATURE																																																																																																																																																																																																																																																																																																																																																																																																																																																																																																																												
		65°F					75°F					85°F					95°F					105°F					115°F																																																																																																																																																																																																																																																																																																																																																																																																																																																																																																			
		59	63	67	71	75	59	63	67	71	75	59	63	67	71	75	59	63	67	71	75	59	63	67	71	75	59	63	67	71	75																																																																																																																																																																																																																																																																																																																																																																																																																																																																																															
80	1575	MBh	43.8	44.8	47.8	51.1	42.8	43.7	46.7	49.9	41.8	42.7	45.6	48.7	40.8	41.6	44.5	47.6	38.7	39.6	42.3	45.2	35.9	36.6	39.1	41.9	0.96	0.90	0.73	0.55	1.00	0.94	0.76	0.57	1.00	0.96	0.78	0.58	1.00	1.00	0.81	0.60	1.00	1.00	0.84	0.63	1.00	1.00	0.84	0.63	25	24	21	16	25	24	21	17	24	24	21	17	24	24	21	17	23	23	23	21	16	21	21	19	15	2.78	2.84	2.92	3.01	2.99	3.05	3.14	3.24	3.17	3.23	3.33	3.44	3.33	3.40	3.50	3.62	3.46	3.54	3.65	3.77	3.58	3.66	3.77	3.90	11.8	12.1	12.4	12.8	12.7	12.9	13.3	13.7	13.6	13.9	14.3	14.8	14.4	14.8	15.2	15.7	15.3	15.6	16.1	16.6	16.1	16.4	16.9	17.5	241	259	273	285	270	291	307	320	307	330	349	364	350	376	397	415	393	423	447	466	435	468	494	515	115	122	133	142	121	129	141	150	126	134	147	156	132	141	154	164	139	148	161	172	144	153	167	178	42.5	43.5	46.4	49.6	41.5	42.4	45.4	48.5	40.6	41.4	44.3	47.3	39.6	40.4	43.2	46.2	37.6	38.4	41.0	43.9	34.8	35.6	38.0	40.6	0.92	0.86	0.70	0.52	0.95	0.89	0.73	0.54	0.98	0.91	0.74	0.56	1.00	0.94	0.77	0.57	1.00	0.98	0.80	0.60	1.00	1.00	0.99	0.80	0.60	26	25	21	17	26	25	22	17	26	25	22	17	26	25	22	17	25	25	25	21	17	23	23	20	16	2.76	2.82	2.90	2.99	2.96	3.02	3.12	3.21	3.14	3.21	3.31	3.41	3.30	3.37	3.48	3.59	3.43	3.51	3.62	3.74	3.55	3.63	3.74	3.87	11.7	12.0	12.3	12.7	12.6	12.8	13.2	13.6	13.5	13.8	14.2	14.7	14.3	14.6	15.1	15.6	15.1	15.5	15.9	16.5	15.9	16.3	16.8	17.4	238	256	271	282	267	288	304	317	304	327	346	360	346	373	394	410	390	419	443	462	430	463	489	510	114	121	132	141	120	128	140	149	125	133	145	154	131	140	152	162	137	146	160	170	142	151	165	176	39.3	40.1	42.9	45.8	38.3	39.2	41.9	44.7	37.4	38.2	40.9	43.7	36.5	37.3	39.9	42.6	34.7	35.4	37.9	40.5	32.1	32.8	35.1	37.5	0.89	0.83	0.68	0.50	0.92	0.86	0.70	0.52	0.94	0.88	0.72	0.54	0.97	0.91	0.74	0.55	1.01	0.95	0.77	0.57	1.02	1.02	0.95	0.78	0.58	26	25	22	17	26	25	22	18	26	25	22	18	27	25	22	18	26	25	22	17	25	23	20	16	2.70	2.75	2.83	2.92	2.89	2.95	3.04	3.14	3.07	3.13	3.23	3.33	3.22	3.29	3.39	3.50	3.35	3.42	3.53	3.65	3.46	3.54	3.65	3.77	11.5	11.7	12.0	12.4	12.3	12.5	12.9	13.3	13.2	13.5	13.9	14.3	14.0	14.3	14.7	15.2	14.8	15.1	15.5	16.1	15.5	15.9	16.4	16.9	231	249	263	274	259	279	295	307	295	317	335	350	336	361	382	398	378	407	429	448	418	449	474	495	110	117	128	136	117	124	135	144	121	129	141	150	127	135	148	157	133	142	155	165	138	147	160	171
		1575	MBh	44.6	45.4	47.6	50.8	43.5	44.4	46.5	49.6	42.5	43.3	45.4	48.4	41.5	42.3	44.3	47.2	39.4	40.2	42.1	44.9	36.5	37.2	39.0	41.6	1.00	0.97	0.88	0.71	1.00	0.96	0.87	0.70	1.00	0.99	0.89	0.72	1.00	1.00	0.92	0.75	1.00	1.00	0.95	0.77	1.00	1.00	0.96	0.78	26	26	24	21	25	26	25	21	25	25	25	21	24	25	25	22	22	23	23	25	21	21	22	23	20	2.80	2.86	2.95	3.04	3.01	3.07	3.17	3.27	3.19	3.26	3.36	3.47	3.35	3.42	3.53	3.65	3.49	3.56	3.68	3.80	3.61	3.69	3.80	3.93	11.9	12.2	12.5	12.9	12.8	13.0	13.4	13.8	13.7	14.0	14.4	14.9	14.6	14.9	15.3	15.8	15.4	15.7	16.2	16.8	16.2	16.6	17.1	17.7	243	262	276	288	273	293	310	323	310	334	352	368	353	380	401	419	397	428	452	471	439	473	499	520	116	123	135	144	123	130	142	152	127	136	148	158	134	142	155	166	140	149	163	173	145	154	168	179	43.3	44.1	46.2	49.3	42.3	43.1	45.1	48.1	41.3	42.1	44.1	47.0	40.3	41.0	43.0	45.8	38.2	39.0	40.8	43.6	35.4	36.1	37.8	40.3	0.96	0.93	0.84	0.68	1.00	0.96	0.87	0.70	1.00	0.99	0.89	0.72	1.00	1.00	0.92	0.75	1.00	1.00	0.95	0.77	1.00	1.00	0.96	0.78	27	27	25	22	28	27	26	22	27	27	26	22	26	27	26	22	25	26	26	22	23	24	24	21	2.78	2.84	2.92	3.01	2.99	3.05	3.14	3.24	3.17	3.23	3.33	3.44	3.33	3.40	3.50	3.62	3.46	3.54	3.65	3.77	3.58	3.66	3.77	3.90	11.8	12.1	12.4	12.8	12.7	12.9	13.3	13.7	13.6	13.9	14.3	14.8	14.4	14.8	15.2	15.7	15.3	15.6	16.1	16.6	16.1	16.4	16.9	17.5	241	259	273	285	270	291	307	320	307	330	349	364	350	376	397	415	393	423	447	466	435	468	494	515	115	122	133	142	121	129	141	150	126	134	147	156	132	141	154	164	139	148	161	172	144	153	167	178	39.9	40.7	42.6	45.5	39.0	39.8	41.6	44.4	38.1	38.8	40.7	43.4	37.2	37.9	39.7	42.3	35.3	36.0	37.7	40.2	32.7	33.3	34.9	37.2	0.93	0.90	0.81	0.66	0.96	0.93	0.84	0.68	0.99	0.95	0.86	0.70	1.00	0.98	0.89	0.72	1.00	1.00	0.92	0.75	1.00	1.00	0.93	0.75	28	27	26	22	28	28	26	22	28	28	26	23	28	28	26	23	26	27	26	23	25	25	24	21	2.72	2.77	2.86	2.94	2.92	2.98	3.07	3.16	3.09	3.16	3.25	3.36	3.25	3.31	3.42	3.53	3.38	3.45	3.56	3.68	3.49	3.57	3.68	3.80	11.6	11.8	12.1	12.5	12.4	12.6	13.0	13.4	13.3	13.6	14.0	14.4	14.1	14.4	14.8	15.3	14.9	15.2	15.7	16.2	15.7	16.0	16.5	17.1	233	251	265	277	262	282	298	310	298	321	339	353	339	365	386	402	382	411	434	452	422	454	479	500	111	119	129	138	118	125	137	146	122	130	142	151	129	137	149	159	135	143	156	167	139	148	162	172		
	1400		MBh	39.9	40.7	42.6	45.5	39.0	39.8	41.6	44.4	38.1	38.8	40.7	43.4	37.2	37.9	39.7	42.3	35.3	36.0	37.7	40.2	32.7	33.3	34.9	37.2	0.93	0.90	0.81	0.66	0.96	0.93	0.84	0.68	0.99	0.95	0.86	0.70	1.00	0.98	0.89	0.72	1.00	1.00	0.92	0.75	1.00	1.00	0.93	0.75	28	27	26	22	28	28	26	22	28	28	26	23	28	28	26	23	26	27	26	23	25	25	24	21	2.72	2.77	2.86	2.94	2.92	2.98	3.07	3.16	3.09	3.16	3.25	3.36	3.25	3.31	3.42	3.53	3.38	3.45	3.56	3.68	3.49	3.57	3.68	3.80	11.6	11.8	12.1	12.5	12.4	12.6	13.0	13.4	13.3	13.6	14.0	14.4	14.1	14.4	14.8	15.3	14.9	15.2	15.7	16.2	15.7	16.0	16.5	17.1	233	251	265	277	262	282	298	310	298	321	339	353	339	365	386	402	382	411	434	452	422	454	479	500	111	119	129	138	118	125	137	146	122	130	142	151	129	137	149	159	135	143	156	167	139	148	162	172																																																																																																																																																																																																																																																																																																																																																			
		1225	MBh	39.9	40.7	42.6	45.5	39.0	39.8	41.6	44.4	38.1	38.8	40.7	43.4	37.2	37.9	39.7	42.3	35.3	36.0	37.7	40.2	32.7	33.3	34.9	37.2	0.93	0.90	0.81	0.66	0.96	0.93	0.84	0.68	0.99	0.95	0.86	0.70	1.00	0.98	0.89	0.72	1.00	1.00	0.92	0.75	1.00	1.00	0.93	0.75	28	27	26	22	28	28	26	22	28	28	26	23	28	28	26	23	26	27	26	23	25	25	24	21	2.72	2.77	2.86	2.94	2.92	2.98	3.07	3.16	3.09	3.16	3.25	3.36	3.25	3.31	3.42	3.53	3.38	3.45	3.56	3.68	3.49	3.57	3.68	3.80	11.6	11.8	12.1	12.5	12.4	12.6	13.0	13.4	13.3	13.6	14.0	14.4	14.1	14.4	14.8	15.3	14.9	15.2	15.7	16.2	15.7	16.0	16.5	17.1	233	251	265	277	262	282	298	310	298	321	339	353	339	365	386	402	382	411	434	452	422	454	479	500	111	119	129	138	118	125	137	146	122	130	142	151	129	137	149	159	135	143	156	167	139	148	162	172																																																																																																																																																																																																																																																																																																																																																			

IDB: Entering Indoor Dry Bulb Temperature
 High and low pressures are measured at the liquid and suction service valves.
 Shaded area reflects AHRI (TVA) conditions
 kW = Total system power
 Amps = outdoor unit amps (comp. fan)

EXPANDED COOLING DATA — GPD1448115M41**

IDB	AIRFLOW	OUTDOOR AMBIENT TEMPERATURE																								
		65°F				75°F				85°F				95°F				105°F				115°F				
		59	63	67	71	59	63	67	71	59	63	67	71	59	63	67	71	59	63	67	71	59	63	67	71	
70	1740	MBh	45.8	47.5	52.0	-	44.7	46.4	50.8	-	43.7	45.3	49.6	-	42.6	44.2	48.4	-	40.5	41.9	46.0	-	37.5	38.9	42.6	-
		S/T	0.76	0.63	0.44	-	0.79	0.66	0.45	-	0.81	0.67	0.47	-	0.83	0.70	0.48	-	0.86	0.72	0.50	-	0.87	0.73	0.50	-
	ΔT	18	16	12	-	19	16	12	-	19	16	12	-	19	16	12	-	18	16	12	-	17	15	11	-	
	kW	3.10	3.16	3.26	-	3.33	3.39	3.50	-	3.52	3.60	3.71	-	3.70	3.78	3.90	-	3.85	3.93	4.05	-	3.98	4.06	4.19	-	
	Amps	13.0	13.3	13.6	-	13.9	14.2	14.6	-	14.9	15.3	15.7	-	15.8	16.2	16.6	-	16.7	17.1	17.6	-	17.6	18.0	18.5	-	
	HI PR	237	255	270	-	266	287	303	-	303	326	344	-	345	371	392	-	388	418	441	-	429	461	487	-	
	LO PR	111	118	129	-	117	125	136	-	122	129	141	-	128	136	149	-	134	143	156	-	139	147	161	-	
	1550	MBh	44.5	46.1	50.5	-	43.4	45.0	49.3	-	42.4	43.9	48.1	-	41.4	42.9	47.0	-	39.3	40.7	44.6	-	36.4	37.7	41.3	-
		S/T	0.72	0.60	0.42	-	0.75	0.63	0.43	-	0.77	0.64	0.44	-	0.79	0.66	0.46	-	0.82	0.69	0.48	-	0.83	0.69	0.48	-
	ΔT	19	17	13	-	19	17	13	-	19	17	13	-	19	17	13	-	19	17	13	-	18	16	12	-	
kW	3.08	3.14	3.23	-	3.30	3.37	3.47	-	3.50	3.57	3.68	-	3.67	3.75	3.86	-	3.82	3.90	4.02	-	3.94	4.03	4.16	-		
Amps	12.9	13.2	13.5	-	13.8	14.1	14.5	-	14.8	15.1	15.6	-	15.7	16.0	16.5	-	16.6	17.0	17.5	-	17.5	17.8	18.4	-		
HI PR	235	253	267	-	264	284	300	-	300	323	341	-	341	367	388	-	384	413	437	-	424	457	482	-		
LO PR	110	117	127	-	116	123	135	-	121	128	140	-	127	135	147	-	133	141	154	-	137	146	159	-		
1360	MBh	41.0	42.5	46.6	-	40.1	41.5	45.5	-	39.1	40.6	44.4	-	38.2	39.6	43.4	-	36.3	37.6	41.2	-	33.6	34.8	38.2	-	
	S/T	0.70	0.58	0.40	-	0.72	0.60	0.42	-	0.74	0.62	0.43	-	0.77	0.64	0.44	-	0.79	0.66	0.46	-	0.80	0.67	0.46	-	
ΔT	19	17	13	-	20	17	13	-	20	17	13	-	20	17	13	-	19	17	13	-	18	16	12	-		
kW	3.01	3.07	3.16	-	3.23	3.29	3.39	-	3.42	3.49	3.59	-	3.58	3.66	3.77	-	3.73	3.81	3.92	-	3.85	3.93	4.06	-		
Amps	12.6	12.9	13.2	-	13.5	13.8	14.1	-	14.5	14.8	15.2	-	15.3	15.7	16.1	-	16.2	16.5	17.0	-	17.0	17.4	17.9	-		
HI PR	228	245	259	-	256	275	291	-	291	313	330	-	331	356	376	-	373	401	423	-	412	443	468	-		
LO PR	106	113	124	-	112	120	131	-	117	124	136	-	123	131	143	-	129	137	149	-	133	142	155	-		

75	1740	MBh	46.6	48.0	51.9	55.7	45.5	46.8	50.7	54.4	44.4	45.7	49.5	53.1	43.3	44.6	48.3	51.8	41.2	42.4	45.9	49.2	38.1	39.3	42.5	45.6
		S/T	0.86	0.77	0.58	0.38	0.89	0.80	0.61	0.39	0.92	0.82	0.62	0.40	0.95	0.85	0.64	0.41	0.98	0.88	0.66	0.43	0.99	0.89	0.67	0.43
	ΔT	21	20	16	11	21	20	16	11	22	20	16	11	22	20	16	11	22	20	16	11	21	20	18	15	
	kW	3.13	3.19	3.28	3.38	3.35	3.42	3.53	3.63	3.55	3.63	3.74	3.86	3.73	3.81	3.93	4.05	3.88	3.96	4.09	4.22	4.01	4.09	4.23	4.36	
	Amps	13.1	13.4	13.8	14.2	14.0	14.3	14.7	15.2	15.1	15.4	15.8	16.4	16.0	16.3	16.8	17.4	16.9	17.2	17.7	18.4	17.8	18.1	18.7	19.3	
	HI PR	240	258	272	284	269	289	306	319	306	329	348	363	348	375	396	413	392	422	445	465	433	466	492	513	
	LO PR	112	119	130	139	118	126	137	146	123	131	143	152	129	137	150	160	135	144	157	167	140	149	163	173	
	1550	MBh	45.2	46.6	50.4	54.1	44.2	45.5	49.2	52.8	43.1	44.4	48.0	51.6	42.1	43.3	46.9	50.3	40.0	41.1	44.5	47.8	37.0	38.1	41.3	44.3
		S/T	0.82	0.74	0.56	0.36	0.85	0.76	0.58	0.37	0.87	0.78	0.59	0.38	0.90	0.81	0.61	0.39	0.94	0.84	0.63	0.41	0.94	0.84	0.64	0.41
	ΔT	22	20	17	11	22	21	17	12	22	21	17	12	23	21	17	12	22	20	17	12	21	19	16	11	
kW	3.10	3.16	3.26	3.36	3.33	3.39	3.50	3.61	3.53	3.60	3.71	3.83	3.70	3.78	3.90	4.02	3.85	3.93	4.05	4.19	3.98	4.06	4.19	4.33		
Amps	13.0	13.3	13.6	14.1	13.9	14.2	14.6	15.1	14.9	15.3	15.7	16.2	15.8	16.2	16.7	17.2	16.7	17.1	17.6	18.2	17.6	18.0	18.5	19.2		
HI PR	237	255	270	281	266	287	303	316	303	326	344	359	345	371	392	409	388	418	441	460	429	461	487	508		
LO PR	111	118	129	137	117	125	136	145	122	130	141	151	128	136	149	158	134	143	156	166	139	147	161	171		
1360	MBh	41.7	43.0	46.5	49.9	40.8	42.0	45.4	48.8	39.8	41.0	44.3	47.6	38.8	40.0	43.3	46.4	36.9	38.0	41.1	44.1	34.2	35.2	38.1	40.9	
	S/T	0.79	0.71	0.54	0.35	0.82	0.74	0.56	0.36	0.84	0.75	0.57	0.37	0.87	0.78	0.59	0.38	0.90	0.81	0.61	0.39	0.91	0.81	0.62	0.40	
ΔT	22	21	17	12	23	21	17	12	23	21	17	12	23	21	17	12	23	21	17	12	21	19	16	11		
kW	3.03	3.09	3.18	3.28	3.25	3.32	3.42	3.52	3.44	3.51	3.62	3.74	3.61	3.69	3.80	3.92	3.76	3.84	3.96	4.08	3.88	3.96	4.09	4.22		
Amps	12.7	13.0	13.3	13.8	13.6	13.9	14.3	14.7	14.6	14.9	15.3	15.8	15.5	15.8	16.2	16.8	16.3	16.7	17.2	17.7	17.2	17.6	18.1	18.7		
HI PR	230	248	262	273	258	278	294	306	294	316	334	348	335	360	380	397	376	405	428	446	416	448	473	493		
LO PR	108	114	125	133	114	121	132	141	118	126	137	146	124	132	144	153	130	138	151	161	134	143	156	166		

IDB: Entering Indoor Dry Bulb Temperature
 High and low pressures are measured at the liquid and suction service valves.
 Shaded area reflects ACCA (TVA) conditions
 kW = Total system power
 Amps = outdoor unit amps (comp. + fan)

EXPANDED COOLING DATA — GPD1448115M41** (CONT.)

IDB	AIRFLOW	OUTDOOR AMBIENT TEMPERATURE												ENTERING INDOOR WET BULB TEMPERATURE													
		65°F				75°F				85°F				95°F				105°F				115°F					
		59	63	67	71	59	63	67	71	59	63	67	71	59	63	67	71	59	63	67	71	59	63	67	71		
80	1740	MBh	47.4	48.4	51.7	55.3	46.3	47.3	50.5	54.0	45.2	46.2	49.3	52.7	44.1	45.1	48.1	51.5	41.9	42.8	45.7	48.9	38.8	39.7	42.4	45.3	
		S/T	0.95	0.89	0.72	0.54	1.00	0.92	0.75	0.56	1.00	0.94	0.77	0.57	1.00	1.00	0.79	0.59	1.00	1.00	0.82	0.61	1.00	1.00	0.83	0.62	
		ΔT	24	23	20	16	24	23	20	16	24	23	20	16	24	23	20	16	24	22	23	20	16	21	21	19	15
	1550	kW	3.15	3.21	3.31	3.41	3.38	3.45	3.55	3.66	3.58	3.66	3.77	3.89	3.76	3.84	3.96	4.09	3.91	3.99	4.12	4.25	4.04	4.13	4.26	4.40	
		Amps	13.2	13.5	13.9	14.3	14.1	14.4	14.8	15.3	15.2	15.5	16.0	16.5	16.1	16.4	16.9	17.5	17.0	17.4	17.9	18.5	17.9	18.3	18.9	19.5	
		HI PR	242	261	275	287	272	292	309	322	309	333	351	366	352	379	400	417	396	426	450	469	437	471	497	518	
	1360	LO PR	113	120	131	140	120	127	139	148	124	132	144	154	130	139	152	161	137	145	159	169	141	150	164	175	
		MBh	46.0	47.0	50.2	53.7	45.0	45.9	49.1	52.5	43.9	44.8	47.9	51.2	42.8	43.7	46.7	50.0	40.7	41.6	44.4	47.5	37.7	38.5	41.1	44.0	
		S/T	0.90	0.85	0.69	0.51	0.93	0.88	0.71	0.53	0.96	0.90	0.73	0.55	0.99	0.93	0.76	0.56	1.00	0.96	0.78	0.59	1.00	0.97	0.79	0.59	
	85	1740	ΔT	25	24	21	16	25	24	21	17	25	24	21	17	25	24	21	17	24	24	21	16	22	22	19	15
			kW	3.13	3.19	3.28	3.38	3.35	3.42	3.53	3.63	3.55	3.63	3.74	3.86	3.73	3.81	3.93	4.05	3.88	3.96	4.09	4.22	4.01	4.10	4.23	4.36
			Amps	13.1	13.4	13.8	14.2	14.0	14.3	14.7	15.2	15.1	15.4	15.8	16.4	16.0	16.3	16.8	17.4	16.9	17.2	17.8	18.4	17.8	18.2	18.7	19.3
1550		HI PR	240	258	272	284	269	289	306	319	306	329	348	363	348	375	396	413	392	422	445	465	433	466	492	513	
		LO PR	112	119	130	139	118	126	137	146	123	131	143	152	129	137	150	160	135	144	157	167	140	149	163	173	
		MBh	42.5	43.4	46.4	49.6	41.5	42.4	45.3	48.4	40.5	41.4	44.2	47.3	39.5	40.4	43.1	46.1	37.5	38.4	41.0	43.8	34.8	35.5	38.0	40.6	
1360		S/T	0.87	0.82	0.66	0.50	0.90	0.85	0.69	0.51	0.92	0.87	0.71	0.53	0.95	0.89	0.73	0.54	0.99	0.93	0.76	0.56	1.00	0.94	0.76	0.57	
		ΔT	25	24	21	17	25	24	21	17	25	24	21	17	25	24	21	17	25	24	21	17	23	23	20	16	
		kW	3.06	3.12	3.21	3.31	3.28	3.34	3.44	3.55	3.47	3.54	3.65	3.76	3.64	3.72	3.83	3.95	3.79	3.87	3.99	4.12	3.91	4.00	4.12	4.26	
1740		Amps	12.8	13.1	13.4	13.9	13.7	14.0	14.4	14.8	14.7	15.0	15.4	16.0	15.6	15.9	16.4	16.9	16.5	16.8	17.3	17.9	17.3	17.7	18.2	18.9	
		HI PR	233	250	264	276	261	281	297	309	297	319	337	352	338	364	384	401	380	409	432	451	420	452	477	498	
		LO PR	109	116	126	134	115	122	133	142	119	127	139	148	125	133	146	155	131	140	153	162	136	145	158	168	
85	1740	MBh	48.2	49.2	51.5	54.9	47.1	48.0	50.3	53.7	46.0	46.9	49.1	52.4	44.9	45.7	47.9	51.1	42.6	43.4	45.5	48.5	39.5	40.2	42.1	45.0	
		S/T	0.99	0.96	0.86	0.70	1.00	0.99	0.89	0.73	1.00	1.00	0.92	0.74	1.00	1.00	0.95	0.77	1.00	1.00	0.98	0.80	1.00	1.00	0.99	0.80	
		ΔT	25	25	23	20	25	25	24	21	24	25	24	21	24	24	24	21	23	23	23	24	21	21	22	19	
	1550	kW	3.17	3.24	3.33	3.44	3.40	3.47	3.58	3.69	3.61	3.68	3.80	3.92	3.79	3.87	3.99	4.12	3.94	4.03	4.15	4.29	4.07	4.16	4.29	4.44	
		Amps	13.3	13.6	14.0	14.4	14.2	14.5	15.0	15.4	15.3	15.6	16.1	16.6	16.2	16.6	17.1	17.6	17.1	17.5	18.0	18.7	18.1	18.5	19.0	19.7	
		HI PR	245	263	278	290	274	295	312	325	312	336	355	370	355	383	404	421	400	430	454	474	442	475	502	524	
	1360	LO PR	114	122	133	141	121	128	140	149	125	133	146	155	132	140	153	163	138	147	160	171	143	152	166	177	
		MBh	46.8	47.7	50.0	53.3	45.7	46.6	48.8	52.1	44.6	45.5	47.7	50.9	43.6	44.4	46.5	49.6	41.4	42.2	44.2	47.1	38.3	39.1	40.9	43.7	
		S/T	0.95	0.91	0.82	0.67	0.98	0.95	0.85	0.69	1.00	0.97	0.88	0.71	1.00	1.00	0.90	0.73	1.00	1.00	0.94	0.76	1.00	1.00	0.95	0.77	
	85	1740	ΔT	26	26	24	21	27	26	25	21	26	26	25	21	26	26	25	22	25	25	25	21	23	23	20	20
			kW	3.15	3.21	3.31	3.41	3.38	3.45	3.55	3.66	3.58	3.66	3.77	3.89	3.76	3.84	3.96	4.09	3.91	3.99	4.12	4.25	4.04	4.13	4.26	4.40
			Amps	13.2	13.5	13.9	14.3	14.1	14.4	14.8	15.3	15.2	15.5	16.0	16.5	16.1	16.4	16.9	17.5	17.0	17.4	17.9	18.5	17.9	18.3	18.9	19.5
1550		HI PR	242	261	275	287	272	292	309	322	309	333	351	366	352	379	400	417	396	426	450	469	437	471	497	518	
		LO PR	113	120	131	140	120	127	139	148	124	132	144	154	130	139	152	161	137	145	159	169	141	150	164	175	
		MBh	43.2	44.1	46.1	49.2	42.2	43.0	45.1	48.1	41.2	42.0	44.0	46.9	40.2	41.0	42.9	45.8	38.2	38.9	40.8	43.5	35.4	36.1	37.8	40.3	
1360		S/T	0.91	0.88	0.79	0.64	0.95	0.91	0.82	0.67	0.97	0.94	0.84	0.68	1.00	0.97	0.87	0.71	1.00	1.00	0.90	0.73	1.00	1.00	0.91	0.74	
		ΔT	27	26	25	21	27	27	25	22	27	27	25	22	27	27	25	22	26	26	25	22	24	24	23	20	
		kW	3.08	3.14	3.23	3.33	3.30	3.37	3.47	3.58	3.50	3.57	3.68	3.79	3.67	3.75	3.86	3.99	3.82	3.90	4.02	4.15	3.94	4.03	4.16	4.29	
1740		Amps	12.9	13.2	13.5	14.0	13.8	14.1	14.5	14.9	14.8	15.1	15.6	16.1	15.7	16.0	16.5	17.1	16.6	16.9	17.5	18.0	17.5	17.8	18.4	19.0	
		HI PR	235	253	267	278	264	284	299	312	300	323	341	355	341	367	388	405	384	413	436	455	424	457	482	503	
		LO PR	110	117	127	136	116	123	135	143	120	128	140	149	127	135	147	157	133	141	154	164	137	146	159	170	

IDB: Entering Indoor Dry Bulb Temperature
 High and low pressures are measured at the liquid and suction service valves.
 Shaded area reflects AHRI (TVA) conditions
 kW = Total system power
 Amps = outdoor unit amps (comp. + fan)

EXPANDED HEATING DATA

GPD1424070M41**

	OUTDOOR AMBIENT TEMPERATURE																	
	65	60	55	50	47	45	40	35	30	25	20	17	15	10	5	0	-5	-10
MBh	30.5	28.9	27.2	25.4	24.3	23.5	21.8	20.1	17.1	15.7	14.5	13.7	13.2	11.8	10.5	9.1	7.8	6.4
T/R	33.2	31.5	29.6	27.7	26.4	25.6	23.8	21.9	18.6	17.1	15.8	14.9	14.4	12.9	11.4	10.0	8.5	7.0
kW	2.07	2.02	1.98	1.94	1.91	1.90	1.86	1.81	2.04	1.99	1.94	1.91	1.89	1.84	1.79	1.75	1.69	1.65
Amps	10.2	9.5	8.9	8.4	8.1	7.9	7.5	7.1	6.9	6.6	6.3	6.1	6.1	5.8	5.4	5.1	4.8	4.3
COP	4.32	4.18	4.02	3.84	3.71	3.63	3.45	3.25	2.44	2.31	2.18	2.09	2.04	1.88	1.71	1.53	1.35	1.14
EER	14.8	14.3	13.7	13.1	12.7	12.4	11.8	11.1	8.3	7.9	7.5	7.2	7.0	6.4	5.8	5.2	4.6	3.9
HI PR	411	394	379	362	354	347	334	320	307	293	281	275	270	259	249	239	231	223
LO PR	141	130	122	112	106	102	94	83	75	67	59	55	53	45	39	33	28	22

GPD1430090M41**

	OUTDOOR AMBIENT TEMPERATURE																	
	65	60	55	50	47	45	40	35	30	25	20	17	15	10	5	0	-5	-10
MBh	36.3	34.4	32.3	30.2	28.9	28.0	26.0	24.0	20.6	19.1	17.5	16.6	16.0	14.3	12.7	11.1	9.4	7.7
T/R	32.3	30.6	28.8	26.9	25.7	24.9	23.1	21.3	18.4	17.0	15.6	14.7	14.2	12.7	11.3	9.9	8.4	6.9
kW	2.54	2.49	2.44	2.39	2.36	2.34	2.29	2.24	2.12	2.07	2.02	1.99	1.97	1.92	1.88	1.83	1.78	1.73
Amps	13.0	12.1	11.4	10.8	10.5	10.3	9.8	9.3	9.0	8.7	8.3	8.1	8.1	7.7	7.3	6.9	6.5	6.0
COP	4.18	4.03	3.88	3.70	3.58	3.50	3.32	3.13	2.85	2.70	2.54	2.43	2.37	2.18	1.98	1.77	1.55	1.31
EER	14.3	13.8	13.2	12.6	12.2	12.0	11.3	10.7	9.8	9.2	8.7	8.3	8.1	7.4	6.8	6.1	5.3	4.5
HI PR	415	398	382	366	357	350	337	323	310	296	284	277	272	262	252	241	233	225
LO PR	142	132	124	113	107	103	95	84	76	68	60	56	54	45	39	33	29	23

GPD1436090M41**

	OUTDOOR AMBIENT TEMPERATURE																	
	65	60	55	50	47	45	40	35	30	25	20	17	15	10	5	0	-5	-10
MBh	41.1	38.9	36.6	34.2	32.7	31.7	29.4	27.1	24.4	22.5	20.7	19.6	18.8	16.9	15.0	13.1	11.2	9.1
T/R	36.6	34.6	32.6	30.5	29.1	28.2	26.2	24.2	21.7	20.0	18.5	17.4	16.8	15.1	13.3	11.6	9.9	8.1
kW	2.86	2.80	2.74	2.69	2.65	2.63	2.57	2.51	2.52	2.46	2.40	2.37	2.34	2.28	2.22	2.17	2.11	2.05
Amps	14.7	13.7	12.9	12.2	11.8	11.6	11.1	10.6	10.2	9.8	9.4	9.2	9.1	8.7	8.2	7.8	7.3	6.7
COP	4.21	4.06	3.90	3.73	3.61	3.53	3.35	3.16	2.83	2.68	2.53	2.42	2.36	2.17	1.97	1.77	1.55	1.31
EER	14.4	13.9	13.3	12.7	12.3	12.1	11.4	10.8	9.7	9.2	8.6	8.3	8.0	7.4	6.7	6.0	5.3	4.5
HI PR	387	371	357	341	333	327	314	302	289	276	265	259	254	244	235	225	217	210
LO PR	137	127	119	109	103	99	91	81	73	66	58	54	52	44	38	32	28	22

Above information is for nominal CFM and 70 degree indoor dry bulb. Instantaneous capacity listed. KW = Total system power
 High pressure is measured at the liquid line access fitting. AMPS: Unit amps (comp.+ evaporator motor + condenser fan motor)
 Low pressure is measured at the compressor suction access fitting.

EXPANDED HEATING DATA (CONT.)

GPD1442115M41**

	OUTDOOR AMBIENT TEMPERATURE																	
	65	60	55	50	47	45	40	35	30	25	20	17	15	10	5	0	-5	-10
MBh	52.9	50.0	47.1	44.0	42.1	40.7	37.8	34.9	30.1	27.8	25.6	24.2	23.3	20.9	18.5	16.1	13.8	11.3
T/R	35.0	33.1	31.1	29.1	27.8	27.0	25.0	23.1	19.9	18.4	16.9	16.0	15.4	13.8	12.2	10.7	9.1	7.5
kW	3.58	3.51	3.44	3.37	3.33	3.30	3.23	3.16	3.01	2.95	2.88	2.84	2.82	2.75	2.68	2.62	2.55	2.49
Amps	18.1	16.8	15.9	15.0	14.5	14.3	13.5	12.9	12.4	12.0	11.5	11.2	11.1	10.6	10.0	9.5	8.9	8.2
COP	4.33	4.18	4.01	3.82	3.70	3.61	3.43	3.23	2.92	2.76	2.60	2.49	2.42	2.22	2.02	1.80	1.58	1.33
EER	14.8	14.3	13.7	13.1	12.6	12.3	11.7	11.0	10.0	9.4	8.9	8.5	8.3	7.6	6.9	6.2	5.4	4.5
HI PR	414	397	382	365	357	350	336	323	309	295	283	277	272	261	251	241	232	224
LO PR	142	132	123	113	107	103	95	84	76	68	60	55	53	45	39	33	29	23

GPD1448115M41**

	OUTDOOR AMBIENT TEMPERATURE																	
	65	60	55	50	47	45	40	35	30	25	20	17	15	10	5	0	-5	-10
MBh	56.7	53.7	50.5	47.2	45.1	43.7	40.6	37.4	32.8	30.3	27.9	26.3	25.3	22.7	20.2	17.6	15.0	12.3
T/R	33.9	32.1	30.2	28.2	26.9	26.1	24.2	22.4	19.6	18.1	16.6	15.7	15.1	13.6	12.0	10.5	9.0	7.3
kW	3.92	3.85	3.77	3.70	3.65	3.62	3.55	3.48	3.31	3.24	3.17	3.12	3.10	3.02	2.95	2.88	2.81	2.74
Amps	19.4	18.1	17.1	16.2	15.7	15.4	14.6	14.0	13.5	12.9	12.4	12.2	12.0	11.5	10.9	10.3	9.7	8.9
COP	4.23	4.08	3.92	3.74	3.61	3.53	3.35	3.15	2.90	2.74	2.58	2.46	2.39	2.20	2.00	1.78	1.56	1.31
EER	14.5	14.0	13.4	12.8	12.3	12.1	11.4	10.8	9.9	9.3	8.8	8.4	8.2	7.5	6.8	6.1	5.3	4.5
HI PR	406	389	374	358	349	343	329	316	303	289	278	271	266	256	246	236	228	220
LO PR	132	122	115	105	99	96	88	78	71	63	55	52	50	42	36	31	27	21

Above information is for nominal CFM and 70 degree indoor dry bulb. Instantaneous capacity listed. KW = Total system power
 High pressure is measured at the liquid line access fitting. AMPS: Unit amps (comp.+ evaporator motor + condenser fan motor)
 Low pressure is measured at the compressor suction access fitting.

AIRFLOW DATA

GPD1424070M41A* - RISE RANGE: 35° - 65°

UNIT STATIC	T1 - 1ST STAGE HEATING SPEED			T2 - 2ND STAGE HEATING SPEED			T3 - COOLING SPEED		T4 - COOLING SPEED		T5 - COOLING SPEED	
	CFM	WATTS	RISE	CFM	WATTS	RISE	CFM	WATTS	CFM	WATTS	CFM	WATTS
0.1	762	67	50	986	126	52	857	116	907	134	1,040	185
0.2	670	65	57	946	131	54	816	126	857	140	988	198
0.3	609	70	63	907	138	56	760	131	814	149	949	208
0.4	549	77	---	863	152	59	721	140	761	154	903	213
0.5	455	82	---	813	156	63	670	145	727	165	871	222
0.6	---	---	---	760	162	---	629	155	678	169	824	228
0.7	---	---	---	---	---	---	---	---	---	---	---	---
0.8	---	---	---	---	---	---	---	---	---	---	---	---

GPD1424070M41B* - RISE RANGE: 35° - 65°

UNIT STATIC	T1 - 1ST STAGE HEATING SPEED			T2 - 2ND STAGE HEATING SPEED			T3 - COOLING SPEED		T4 - COOLING SPEED		T5 - COOLING SPEED	
	CFM	WATTS	RISE	CFM	WATTS	RISE	CFM	WATTS	CFM	WATTS	CFM	WATTS
0.1	708	57	50	1004	129	52	859	94	885	103	1048	140
0.2	659	65	57	955	137	54	810	102	836	111	999	148
0.3	610	72	63	906	145	56	761	109	788	118	950	155
0.4	561	80	X	857	153	59	713	117	740	126	901	163
0.5	512	88	X	808	160	63	664	125	692	134	852	171
0.6	---	---	---	760	168	X	615	133	643	142	803	179
0.7	---	---	---	---	---	---	---	---	---	---	---	---
0.8	---	---	---	---	---	---	---	---	---	---	---	---

GPD1430909M41A* - RISE RANGE: 45° - 75°

UNIT STATIC	T1 - 1ST STAGE HEATING SPEED			T2 - 2ND STAGE HEATING SPEED			T3 - COOLING SPEED		T4 - COOLING SPEED		T5 - COOLING SPEED	
	CFM	WATTS	RISE	CFM	WATTS	RISE	CFM	WATTS	CFM	WATTS	CFM	WATTS
0.1	1,065	168	RISE	1,255	257	55	1,065	168	1,148	170	1,333	304
0.2	1,003	174	52	1,217	269	57	1,003	174	1,092	176	1,293	314
0.3	961	185	54	1,165	274	59	961	185	1,044	184	1,237	321
0.4	913	195	57	1,113	285	62	913	195	994	194	1,193	333
0.5	855	202	60	1,073	296	64	855	202	929	210	1,158	341
0.6	814	212	63	1,018	302	68	814	212	811	222	1,101	345
0.7	749	218	69	991	313	70	749	218	763	224	---	---
0.8	713	227	72	---	---	---	713	227	715	236	---	---

GPD1430909M41B* - RISE RANGE: 45° - 75°

UNIT STATIC	T1 - 1ST STAGE HEATING SPEED			T2 - 2ND STAGE HEATING SPEED			T3 - COOLING SPEED		T4 - COOLING SPEED		T5 - COOLING SPEED	
	CFM	WATTS	RISE	CFM	WATTS	RISE	CFM	WATTS	CFM	WATTS	CFM	WATTS
0.1	1059	137	49	1260	213	55	1059	137	1071	142	1333	234
0.2	1008	144	52	1212	221	57	1008	144	1023	149	1285	242
0.3	956	151	54	1165	229	59	956	151	976	157	1237	250
0.4	908	158	57	1117	236	62	908	158	928	164	1189	257
0.5	857	166	60	1069	244	64	857	166	880	172	1141	265
0.6	784	175	63	1021	252	68	784	175	832	180	1094	273
0.7	732	180	69	973	259	70	732	180	784	187	---	---
0.8	673	188	72	-	-	-	673	188	736	195	---	---

AIRFLOW DATA (CONT.)

GPD1436090M41A* - RISE RANGE: 45° - 75°

UNIT STATIC	T1 - 1ST STAGE HEATING SPEED			T2 - 2ND STAGE HEATING SPEED			T3 - COOLING SPEED		T4 - COOLING SPEED		T5 - COOLING SPEED	
	CFM	WATTS	RISE	CFM	WATTS	RISE	CFM	WATTS	CFM	WATTS	CFM	WATTS
0.1	1,065	168	49	1255	257	55	1,065	168	1,148	170	1,418	360
0.2	1,003	174	52	1217	269	57	1,003	174	1,092	176	1,375	371
0.3	961	185	54	1165	274	59	961	185	1,044	184	1,316	376
0.4	913	195	57	1113	285	62	913	195	994	194	1,279	387
0.5	855	202	60	1073	296	64	855	202	929	210	1,245	392
0.6	814	212	63	1018	302	68	814	212	811	222	1,193	400
0.7	749	218	69	991	313	70	749	218.00	763	224.00	---	---
0.8	713	227	72	---	---	---	713	227.00	715	236.00	---	---

GPD1436090M41B* - RISE RANGE: 45° - 75°

UNIT STATIC	T1 - 1ST STAGE HEATING SPEED			T2 - 2ND STAGE HEATING SPEED			T3 - COOLING SPEED		T4 - COOLING SPEED		T5 - COOLING SPEED	
	CFM	WATTS	RISE	CFM	WATTS	RISE	CFM	WATTS	CFM	WATTS	CFM	WATTS
0.1	1053	143	49	1257	236	55	1136	181	1136	181	1408	304
0.2	1007	151	52	1211	243	57	1090	188	1090	188	1362	311
0.3	961	158	54	1165	250	59	1044	195	1044	195	1315	319
0.4	915	165	57	1119	258	62	997	203	997	203	1269	326
0.5	869	173	60	1073	265	64	951	210	951	210	1223	334
0.6	823	180	63	1027	273	68	905	218	905	218	1177	341
0.7	777	188	69	980	280	70	859	225	859	225	---	---
0.8	731	195	72	---	---	---	813	233	813	233	---	---

GPD1442115M41A* - RISE RANGE: 45° - 75°

UNIT STATIC	T1 - 1ST STAGE HEATING SPEED			T2 - 2ND STAGE HEATING SPEED			T3 - COOLING SPEED		T4 - COOLING SPEED		T5 - COOLING SPEED	
	CFM	WATTS	RISE	CFM	WATTS	RISE	CFM	WATTS	CFM	WATTS	CFM	WATTS
0.1	1,065	168	49	1255	257	55	1,335	260	1,468	337	1,619	431
0.2	1,003	174	52	1217	269	57	1,274	268	1,412	349	1,560	445
0.3	961	185	54	1165	274	59	1,204	281	1,346	359	1,504	456
0.4	913	195	57	1113	285	62	1,136	287	1,275	363	1,441	463
0.5	855	202	60	1073	296	64	1,069	300	1,221	370	1,380	475
0.6	814	212	63	1018	302	68	1,009	312	1,170	386	1,325	489
0.7	749	218	69	991	313	70	946	319.00	1,105	397.00	1,268	495.00
0.8	713	227	72	---	---	---	886	331.00	1,042	406.00	1,198	502.00

GPD1442115M41B* - RISE RANGE: 45° - 75°

UNIT STATIC	T1 - 1ST STAGE HEATING SPEED			T2 - 2ND STAGE HEATING SPEED			T3 - COOLING SPEED		T4 - COOLING SPEED		T5 - COOLING SPEED	
	CFM	WATTS	RISE	CFM	WATTS	RISE	CFM	WATTS	CFM	WATTS	CFM	WATTS
0.1	1090	150	52	1286	231	57	1354	260	1501	320	1609	365
0.2	1025	158	57	1225	239	61	1296	267	1446	328	1556	373
0.3	960	166	62	1165	247	64	1237	275	1391	336	1504	381
0.4	895	174	X	1105	255	X	1178	283	1336	344	1451	388
0.5	830	181	X	1045	262	X	1120	291	1281	352	1399	396
0.6	765	189	---	984	270	X	1061	299	1226	359	1347	404
0.7	699	197	---	924	278	---	1002	306	1171	367	1294	412
0.8	634	205	---	---	---	---	944	314	1116	375	1242	420

AIRFLOW DATA (CONT.)

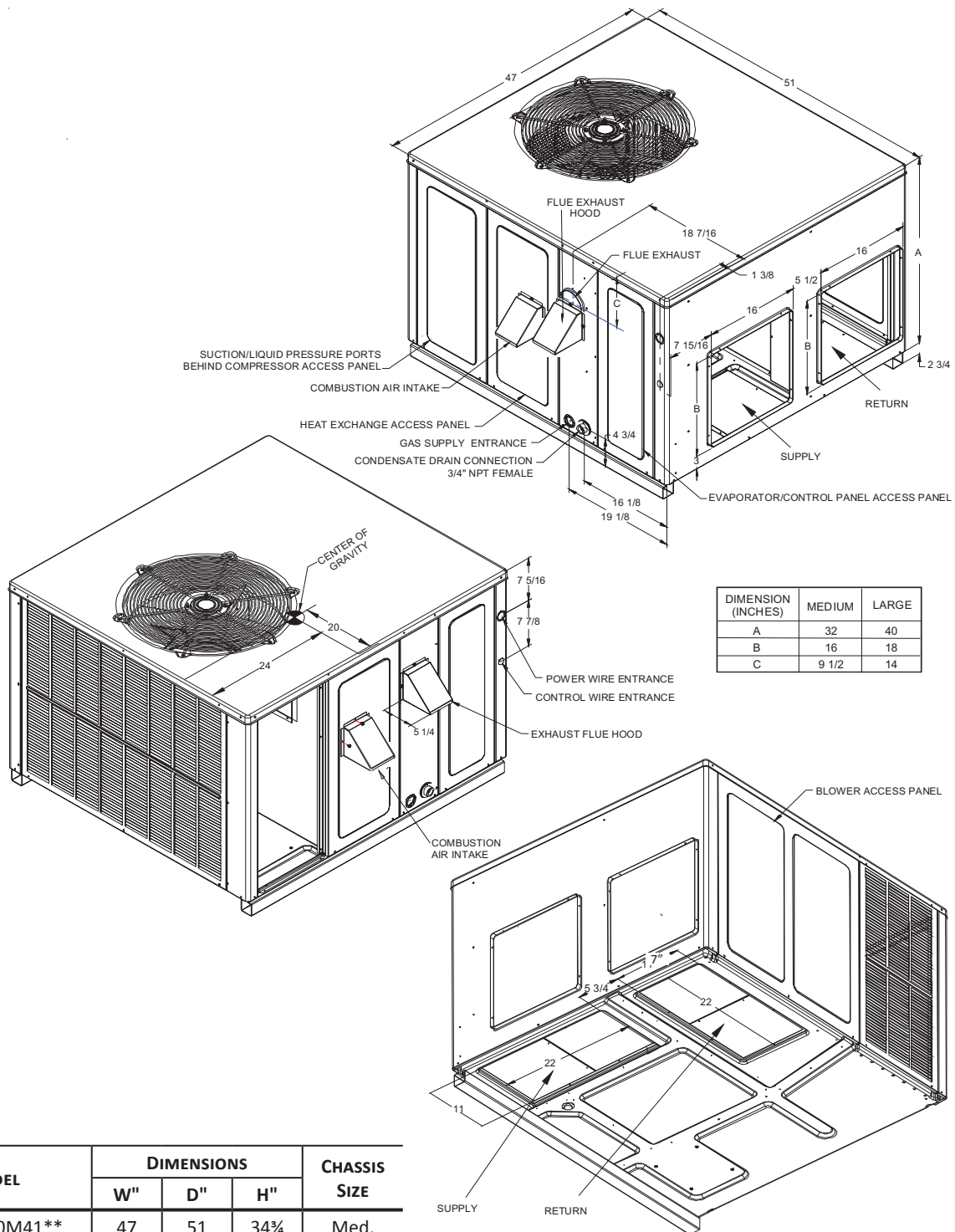
GPD1448115M41A* - RISE RANGE: 45° - 75°

UNIT STATIC	T1 - 1ST STAGE HEATING SPEED			T2 - 2ND STAGE HEATING SPEED			T3 - COOLING SPEED		T4 - COOLING SPEED		T5 - COOLING SPEED	
	CFM	WATTS	RISE	CFM	WATTS	RISE	CFM	WATTS	CFM	WATTS	CFM	WATTS
0.1	1,140	178	56	1417	305	61	1,140	178	1,703	482	1,778	541
0.2	1,090	188	59	1374	318	63	1,090	188	1,651	494	1,720	553
0.3	1,038	199	62	1322	327	65	1,038	199	1,589	504	1,660	563
0.4	980	212	65	1273	338	68	980	212	1,537	514	1,614	574
0.5	914	220	70	1224	352	70	914	220	1,483	525	1,568	586
0.6	852	231	75	1176	365	73	852	231	1,435	536	1,511	595
0.7	806	242	---	1,121	379	---	806	242.00	1,377	547.00	1,456	603.00
0.8	741	248	---	1,068	391	---	741	248.00	1,326	554.00	1,407	616.00

GPD1448115M41B* - RISE RANGE: 45° - 75°

UNIT STATIC	T1 - 1ST STAGE HEATING SPEED			T2 - 2ND STAGE HEATING SPEED			T3 - COOLING SPEED		T4 - COOLING SPEED		T5 - COOLING SPEED	
	CFM	WATTS	RISE	CFM	WATTS	RISE	CFM	WATTS	CFM	WATTS	CFM	WATTS
0.1	1164	180	56	1435	293	61	1164	180	1675	392	1758	427
0.2	1100	188	59	1378	301	63	1100	188	1624	400	1709	435
0.3	1037	196	62	1322	309	65	1037	196	1573	408	1660	443
0.4	974	204	65	1265	316	68	974	204	1522	416	1612	450
0.5	910	212	70	1208	324	70	910	212	1472	424	1563	458
0.6	847	220	75	1152	332	73	847	220	1421	431	1514	466
0.7	784	227	X	1095	340	X	784	227	1370	439	1466	474
0.8	720	235	X	1038	348	X	720	235	1319	447	1417	482

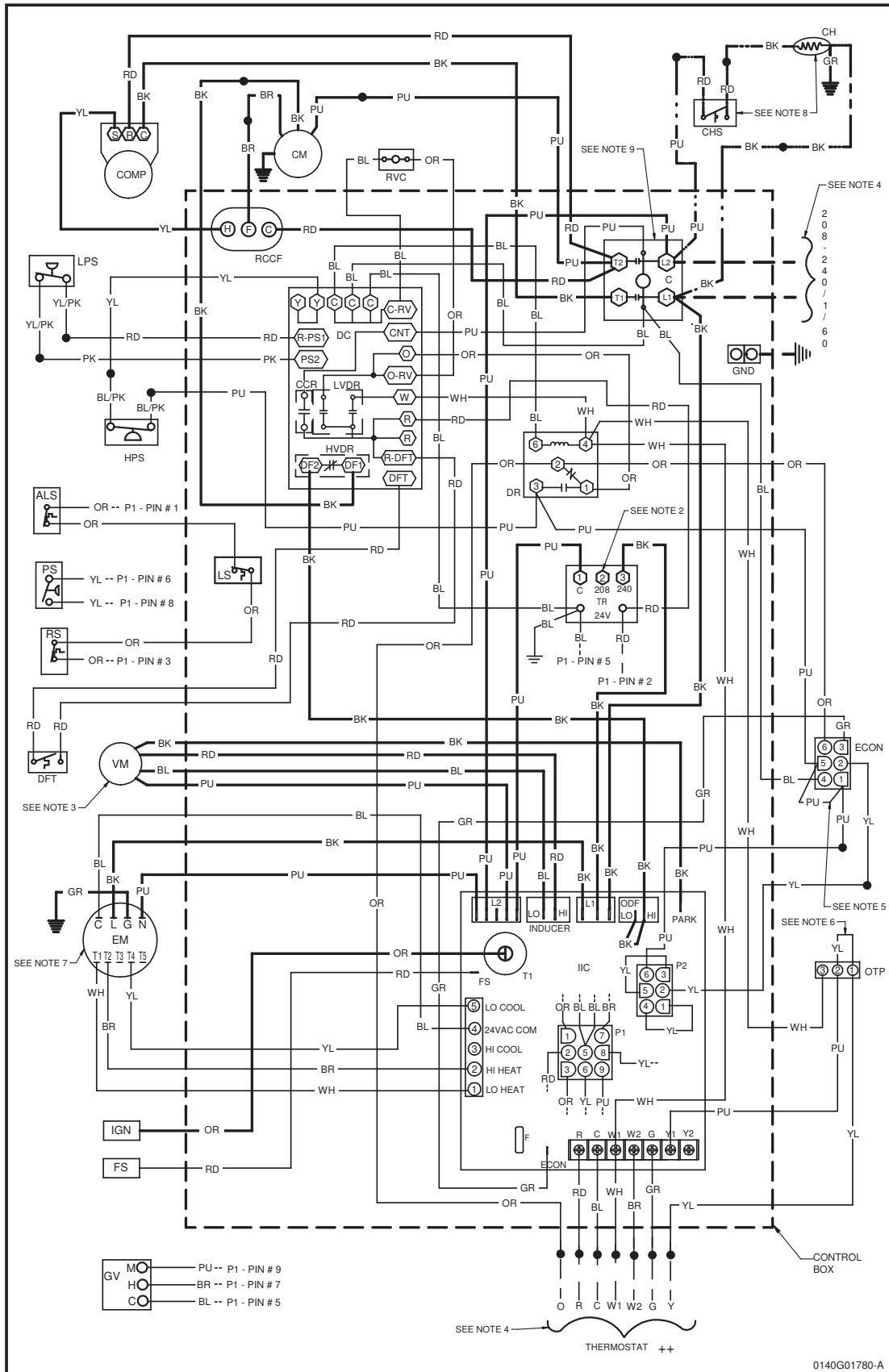
DIMENSIONS



DIMENSION (INCHES)	MEDIUM	LARGE
A	32	40
B	16	18
C	9 1/2	14

MODEL	DIMENSIONS			CHASSIS SIZE
	W"	D"	H"	
GPD1424070M41**	47	51	34 3/4	Med.
GPD1430090M41**	47	51	34 3/4	Med.
GPD1436090M41**	47	51	34 3/4	Med.
GPD1442115M41**	47	51	42 3/4	Large
GPD1448115M41**	47	51	42 3/4	Large

WIRING DIAGRAM

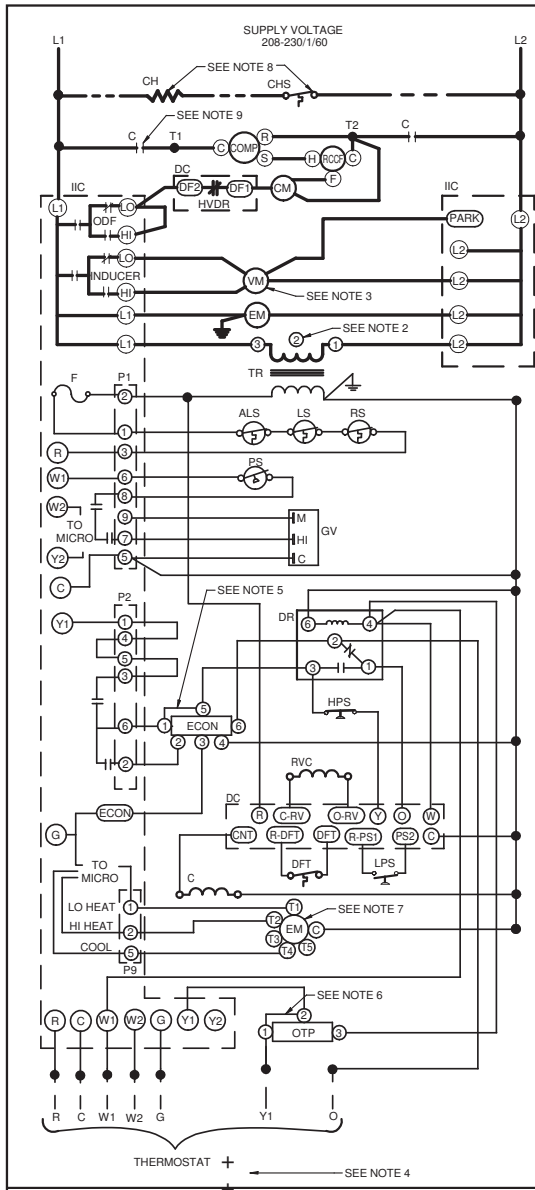


High Voltage: Disconnect all power before servicing or installing this unit. Multiple power sources may be present. Failure to do so may cause property damage, personal injury, or death.

WARNING

Wiring is subject to change. Always refer to the wiring diagram or the unit for the most up-to-date wiring.

WIRING DIAGRAM



COMPONENT LEGEND

- | | | |
|------|--------------------------------|---------------------------|
| ALS | AUXILLARY LIMIT SWITCH | FACTORY WIRING |
| C | CONTACTOR | — LINE VOLTAGE |
| CH | CRANKCASE HEATER | — LOW VOLTAGE |
| CHS | CRANKCASE HEATER SWITCH | --- OPTIONAL HIGH VOLTAGE |
| CM | CONDENSER MOTOR | |
| COMP | COMPRESSOR | |
| DC | DEFROST CONTROL BOARD | |
| DFT | DEFROST THERMOSTAT | |
| DR | DEFROST RELAY | |
| ECON | ECONOMIZER PLUG | |
| EM | EVAPORATOR MOTOR | |
| F | FUSE | |
| FS | FLAME SENSOR | |
| GND | EQUIPMENT GROUND | |
| GV | GAS VALVE | |
| HPS | HIGH PRESSURE SWITCH | |
| IIC | INTEGRATED IGNITION CONTROL | |
| IGN | IGNITOR | |
| LPS | LOW PRESSURE SWITCH | |
| LS | LIMIT SWITCH | |
| OTP | OUTDOOR THERMOSTAT PLUG | |
| P1 | 9 PIN CONNECTOR PLUG | |
| P2 | 6 PIN CONNECTOR PLUG | |
| PS | PRESSURE SWITCH | |
| RCCF | RUN CAPACITOR COMPRESSOR / FAN | |
| RS | ROLLOUT SWITCH | |
| RVC | REVERSING VALVE COIL | |
| TR | TRANSFORMER | |
| VM | VENT MOTOR | |

NOTES

- REPLACEMENT WIRE MUST BE THE SAME SIZE AND TYPE OF INSULATION AS ORIGINAL (AT LEAST 105°C). USE COPPER CONDUCTOR ONLY.
- FOR 208V TRANSFORMER OPERATION MOVE BLACK WIRE FROM TERMINAL 3 TO TERMINAL 2 ON TRANSFORMER.
- FOR 208V VENT MOTOR OPERATION, REMOVE BLUE LEAD FROM INDUCER LOW TERMINAL. MOVE BLACK LEAD FROM PARK TERMINAL TO INDUCER LOW TERMINAL, AND PLACE BLUE LEAD ON PARK.
- USE COPPER CONDUCTORS ONLY.
- ++ USE NEC CLASS 2 WIRE.
- FOR ECONOMIZER, REMOVE PLUG FROM ECONOMIZER HARNESS. CONNECT PLUG FROM ECONOMIZER TO HARNESS.
- FOR OUTDOOR THERMOSTAT, REMOVE PLUG FROM HARNESS AND CONNECT PLUG FROM OUTDOOR THERMOSTAT TO HARNESS.
- TO CHANGE AIRFLOW MOVE YELLOW WIRE (COOLING / HEAT PUMP), WHITE WIRE (LOW STAGE GAS), OR BROWN WIRE (HIGH-STAGE GAS) TO SPEED TAP T1, T2, T3, T4, OR T5 AT EVAPORATOR MOTOR. REFER TO UNIT AIRFLOW TABLES FOR TO DETERMINE THE APPROPRIATE SPEED TAP FOR APPLICATION. UNITS SHIPPED WITH YELLOW, WHITE, AND BROWN ON T4, T1, AND T2 RESPECTIVELY.
- CRANKCASE HEATER AND CRANKCASE HEATER SWITCH FACTORY EQUIPPED WHEN REQUIRED.
- DOUBLE POLE CONTACTOR SHOWN. SINGLE POLE CONTACTOR COULD BE FACTORY EQUIPPED AS AN ALTERNATE CONFIGURATION.

High Voltage: Disconnect all power before servicing or installing this unit. Multiple power sources may be present. Failure to do so may cause property damage, personal injury, or death.

WARNING

DIAGNOSTIC LED - RED	STATUS	CHECK
ON	NORMAL OPERATION	-
OFF	NO POWER OR INTERNAL CONTROL FAULT	CHECK INPUT POWER CHECK FUSE(S) REPLACE CONTROL
1 FLASH	IGNITION FAILURE	GAS FLOW GAS PRESSURE GAS VALVE FLAME SENSOR
2 FLASHES	PRESSURE SWITCH OPEN	CHECK PRESSURE SWITCH CHECK TUBING CHECK VENT MOTOR
3 FLASHES	PRESSURE SWITCH CLOSED WITHOUT INDUCER ON	CHECK PRESSURE SWITCH CHECK WIRING FOR SHORTS
4 FLASHES	OPEN LIMIT SWITCH	CHECK MAIN LIMIT SWITCH CHECK AUXILIARY LIMIT SW. CHECK ROLLOUT LIMIT SW.
5 FLASHES	FALSE FLAME DETECTED	CHECK GAS VALVE CHECK FOR SHORTS IN FLAME SENSOR WIRING
6 FLASHES	COMPR. SHORT CYCLE DELAY	3 MIN COMP. SHORT CYCLE DELAY

DIAGNOSTIC LED - RED	STATUS	CHECK
7 FLASHES	LIMIT OPEN 5 TIMES IN SAME CALL FOR HEAT	CHECK MAIN LIMIT SWITCH CHECK AUXILIARY LIMIT SW.
8 FLASHES	IDT/ODT OPEN	CHECK JUMPER BETWEEN 1 AND 4 ON 6-CIRCUIT CONNECTOR CHECK OPTIONAL REFRIGERANT SWITCHES
9 FLASHES	PSW/LOC OPEN	CHECK REFRIGERANT SWITCHES FOR LOSS OF CHARGE OR HIGH HEAD PRESSURE

DIAGNOSTIC LED - AMBER	STATUS	CHECK
OFF	NO FLAME PRESENT	-
ON	NORMAL FLAME PRESENT	-
1 FLASH	LOW FLAME SIGNAL	GAS FLOW GAS PRESSURE GAS VALVE FLAME SENSOR
2 FLASHES	FALSE FLAME DETECTED	CHECK GAS VALVE CHECK FOR SHORTS IN FLAME SENSOR WIRING

Wiring is subject to change. Always refer to the wiring diagram or the unit for the most up-to-date wiring.

ACCESSORIES

DESCRIPTION	PARTS NUMBERS	
	MEDIUM CHASSIS	LARGE CHASSIS
Concentric Kit	CDK36	CDK4872
Downflow Economizer	PDED101/102	PDED103
Downflow Manual Damper	PGMDD101/102	PGMDD103
Downflow Motorized Damper	PGMDMD101/102	PGMDMD103
Downflow Square to Round	SQRPG101/102	SQRPG103
Downflow Internal Filter Rack	PGFR101/102/103	PGFR101/102/103
External Horizontal Filter Rack	GPGHFR101-103	GPGHFR101-103
Horizontal Duct Cover	20464501PDGK	20464502PDGK
Horizontal Economizer	PDEH101/102	PDEH103
Horizontal Manual Damper	PGMDH102	PGMDH103
Horizontal Motorized Damper	PGMDMH102	PGMDMH103
Horizontal Square to Round	SQRPGH101/102	SQRPGH103
LP Conversion Kit	LPM-05	LPM-05
Outdoor Thermostat w/ Housing	OTDFPKG-01	OTDFPKG-01
Roof Curb	PGC101/102/103	PGC101/102/103

NOTES