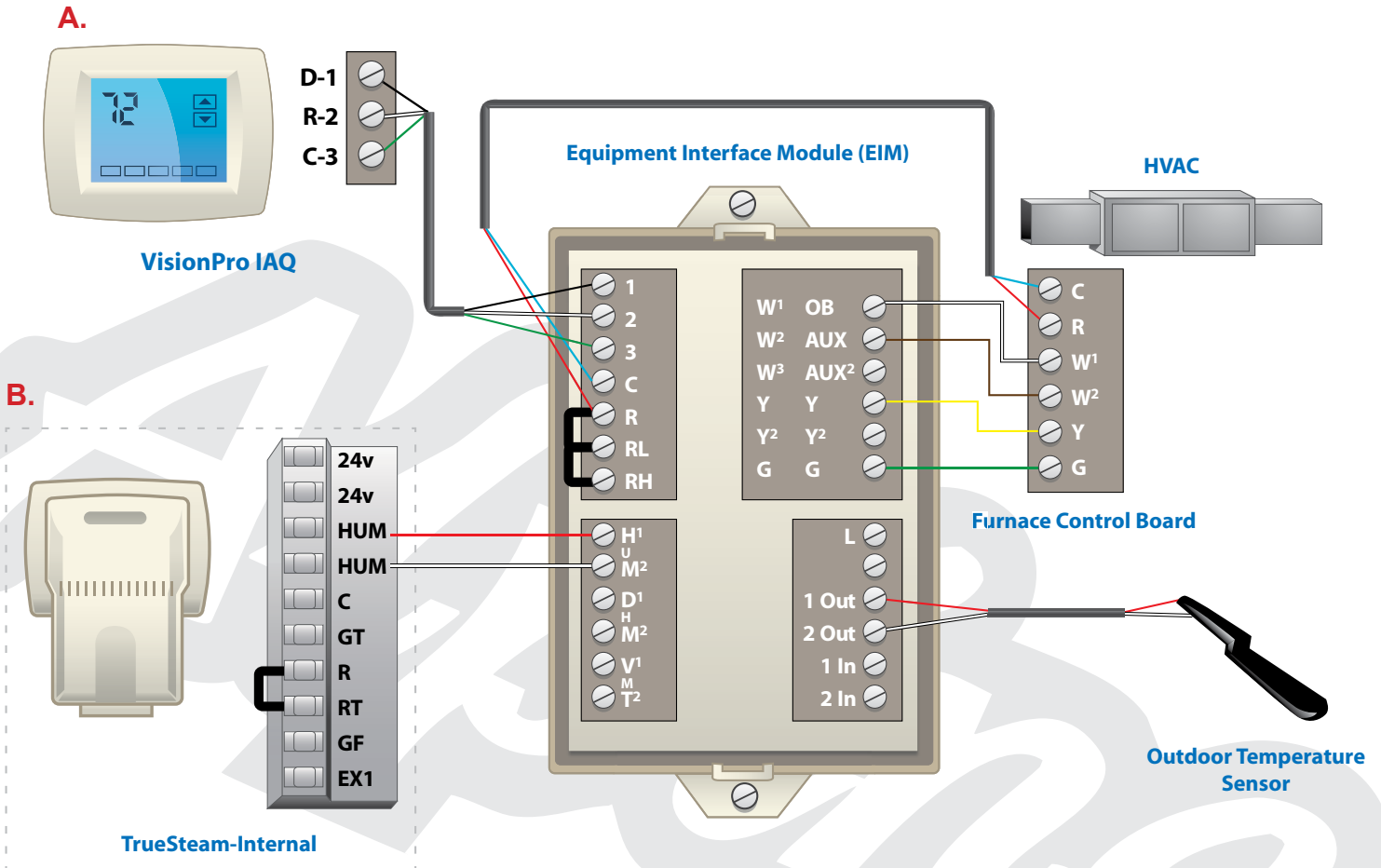


TrueSteam with VisionPro IAQ



Special Instructions

- A.**
- Change installer setup function **372** from the factory setting of E to **1** or **3**. (3 gives you window frost protection)
 - Change installer setup function **374** from the factory setting of 0 to **1** or **2**. (1 will force equipment fan on, 2 will humidify only when there's a call for heat)
- B.**
- Change the TrueSteam humidifier internal **DIP 4** from the factory setting of off to **ON**.