

## W8735D Telephone Access Module

### SPECIFICATION DATA



### APPLICATION

The W8735D Telephone Access Module (TAM) provides remote telephone access to the HVAC system when used with an EnviraCOM™ enabled thermostat such as the TH9421C1004 VisionPRO IAQ Total Home Comfort System, and the TH5320C1002 FocusPRO and T8635L1013 Chronotherm™ thermostat. These thermostats are used with one or more of the following controls: a W8835A EnviraZone panel, a THM5421C1008, W8635A and B Equipment Interface Modules, or W8703 Damper Interface Modules. See the product data sheets for these thermostats to see with which devices each model would be used. The W8735D also communicates with R7184P and U oil primary controls and L7224U Aquastat®, remote temperature sensors as well as any other EnviraCOM enabled controls to communicate current status and alert information.

The user can dial into the TAM and hear local temperatures and system settings. The user defines the temperature and humidity limits and their alert priorities to best meet their monitoring needs.

### WARNING

**Not a life safety or monitoring device.**

The W8735D is not designed for use as a life safety monitoring device to detect and generate alarms based on the presence of toxic gases, smoke or fire within residential homes or commercial buildings. The incorporation of CO, CO<sub>2</sub>, smoke, fire, radon or other life safety sensors for monitoring by the W8735D is not recommended, nor should the W8735D be used in lieu of fire alarm, smoke detector, gas detector or other life safety monitoring systems.

### FEATURES

- Supports up to four independent EnviraCOM channels for a maximum of 36 zones per W8735D (9 zones per channel when using zone panels. The W8735D1009 has two channels, and the W8735D1017 has four channels.)
- Use with the TH9421C1004 VisionPRO IAQ Total Home Comfort System and W8835A EnviraZone for zoned systems
- Use with THM5421C1008 for single zone applications
- Use with TH5320C1002 FocusPRO EnviraCOM thermostat for zoning applications

- Compatible with the T8635L Microelectronic Communicating Programmable Thermostat, W8835A EnviraZone panel, or W8635A and W8635B Equipment Interface Modules
- Use with any EnviraCOM generating products like R7184U Oil Primary and L7224U Aquastat™ controls
- Provides remote telephone access to check or change thermostat settings (i.e. heat, cool, auto, or off)
- Provides remote telephone access to check current indoor and outdoor temperatures and indoor humidity<sup>a</sup>
- Reports alert messages on high or low indoor/outdoor temperature, high or low humidity, low battery, auxiliary input sensor tripped, pass code change, air filter change required, system alerts, and power outage
- Prioritize alerts to specify the time of day that the TAM will dial-out
- Emergency drop call feature
- Up to three telephone numbers can be programmed for alert messaging
- Auxiliary sensor input for use with an optional N.C. sensor contact
- Auxiliary output for local alert enunciation

<sup>a</sup> Humidity shown only if the TH9421C1004 is used.



## DESCRIPTION

The W8735D provides remote telephone access for up to four EnviraCOM independent channels. The W8735D can be programmed to alert the homeowner and/or an optional service contractor of abnormal conditions or lockouts. Up to three different dial-out numbers can be entered in order to insure alerts are well communicated.

Auxiliary input contacts allow integration of dry contact or 24 Vac/Vdc sensors to interface with the W8735D. In addition to EnviraCOM thermostats, temperature alerts can be generated using standard 24 VAC thermostats when interfacing with the Auxiliary inputs. Auxiliary output dry contacts allow local annunciation of alert conditions.

Battery back-up enables the W8735D to let the homeowner know the power is out at the monitored location (optional 9V battery not included).

The W8735D can share a telephone line with most answering machines and voice mail systems. The W8735D can be prompted to pick up a call to gain access to the HVAC system before the answering machine or voice mail are enabled. Additionally, the W8735D is equipped with an emergency telephone line disconnect feature activated when another receiver in the premise is picked up while the W8735D is connected. Full access to the W8735D is given when the complete pass code is entered when prompted. Limited access is given to contractors when the last five digits of the programmed contractor telephone number is entered as the pass code. Contractor access is limited to the W8735D Alert History.

**Table 1. W8735D Model Descriptions.**

Model	Application	Connections	Communicates with:
W8735D1009	Remote dial-in/dial-out using a conventional telephone line.  Two independent EnviraCOM channels each capable of communicating with up to nine zones (up to 18 zones total).	<ul style="list-style-type: none"> <li>1/D, 2/R, 3/B (terminal connections per channel; two channels total)</li> <li>Aux In 1, Aux In 2</li> <li>Aux Out 1, Aux Out 2</li> <li>Telephone</li> <li>Power and Battery</li> </ul>	<ul style="list-style-type: none"> <li>VisionPRO IAQ YTH9421C1002 or TH9421C1004 with THM5421C1008 Equipment Interface Module or W8835A EnviraZone panel for zoning</li> <li>Compatible with T8635L using W8635A or B</li> </ul>
W8735D1017	Remote dial-in/dial-out using a conventional telephone line.  Four independent EnviraCOM channels each capable of communicating with up to nine zones (up to 36 zones total).	<ul style="list-style-type: none"> <li>1/D, 2/R, 3/B (terminal connections per channel; four channels total)</li> <li>Aux In 1, Aux In 2</li> <li>Aux Out 1, Aux Out 2</li> <li>Telephone</li> <li>Power and Battery</li> </ul>	<ul style="list-style-type: none"> <li>W8703 Equipment and Damper Interface Modules or W8835A EnviraZone panel for zoning</li> <li>R7184 Oil Primary</li> <li>L7224 Aquastat®</li> </ul>

## SPECIFICATIONS

**Power Source:** 12 Vdc (±5%) 1.0A  
9 Vdc battery backup  
Power connection via 12 Vdc plug

**Temperature Ratings:**

**Storage Range:**

-30° F (-34° C) to 150° F (65° C)

**Operating Temperature Range:**

32° F (0° C) to 120° F (49° C)

**Humidity Rating:** 5%-95% RH non-condensing

**Finish:** White ABS

**Dimensions:** See Fig. 2 on page 4

**Mounting:** No. 6 screws and wall anchors supplied in bag assembly

**Wiring:** AWG 18 or 20 wire

**Channel Specification:**

1/D - Data line

2/R - 24 Vac Hot

3/B - 24 Vac Common

**Auxiliary Input:** N.C. sensor contact, 24 Vac/Vdc, polarity insensitive

- Accepts up to 30 Vac or Vdc presenting no more than a 10 mA load
- A transition to less than 18 Vac/Vdc signifies an alert condition

**Auxiliary Output:** N.O. dry contact, 24 Vac/Vdc

- Supports a load current up to 1 A
- Contact closes during an unacknowledged alert condition

**Operating Limits:**

Indoor Temperature:

Low Limit default: 50° F (10° C)

High Limit default: 90° F (32° C)

Range: 40° F (4° C) to 99° F (37° C)

Outdoor Temperature:

Low Limit default: 40° F (4° C)

High Limit: default 105° F (40° C)

Range: -40° F (-40° C) to 150° F (65° C)

Humidity:

Low Limit default: 25%

High Limit default: 70%

Range: 5% to 95%

**Approvals:**

Federal Communications Commission: Part 15

Federal Communications Commission: Part 68

Registration Number. US: HCPAL01ATAM

**Recommended Accessories:**

- TH9421C1004 VisionPRO IAQ Total Home Comfort System
- TH5320C1002 FocusPRO EnviraCOM™ Thermostat
- W8835A EnviraZone panel for zoning
- W8703A Damper Interface Module (for zoning)
- 50022037-001/U EnviraCOM Outdoor Temperature Sensor (when a TH9421C1004 VisionPRO IAQ along with a W8835 EnviraZone panel is used)
- C7089U1006 Outdoor Temperature Sensor (when a YTH9421C1002 Total Home Comfort System is used)
- C7089B1000 Outdoor Temperature Sensor (when a T8635L thermostat is used)
- 9-volt alkaline battery (for power outage detection)
- R8228D1018 DPST N.O. General Purpose Relay
- R8228B1012 SPDT General Purpose Relay
- AT120A1004 General Purpose 20VA Transformer

**Battery Indication**

A two-colored LED indicator is located in the lower right corner of the W8735D Telephone Access Module that indicates device power and battery health.

The LED has the following states:

- **Steady Green:** Input powered, battery health is good
- **Flashing Green:** Input powered, battery health is low
- **Flashing Alternate Green/Red:** Input powered, battery is dead or missing
- **Off:** W8735D is not powered

**Alert Messages**

Alert messages are dialed-out to the configured phone numbers for the following conditions (factory priority/default settings shown in parentheses):

**Power Outage (high priority)** Power was out at this location for more than one hour.

**Power Restore** Power has been restored at this location.

**Low Battery (low priority)** Replace battery.

**Auxiliary Input (high priority)** Optional auxiliary input sensor has tripped.

**Pass Code Change (high priority)** The pass code has been altered.

**Low Temp Limit (high priority, default 50° F (10° C))** The room temperature dropped below the low limit setting.

**High Temp Limit (high priority, default 90° F (32° C))** The room temperature exceeded the high limit setting.

**Outdoor Low Temp Limit (high priority, default 40° F (4° C))** The outdoor temperature dropped below the low limit setting.

**Outdoor High Temp Limit (high priority, default 105° F (40° C))** The outdoor temperature exceeded the high limit setting.

**Air Filter (low priority)** Change air/duct filter.

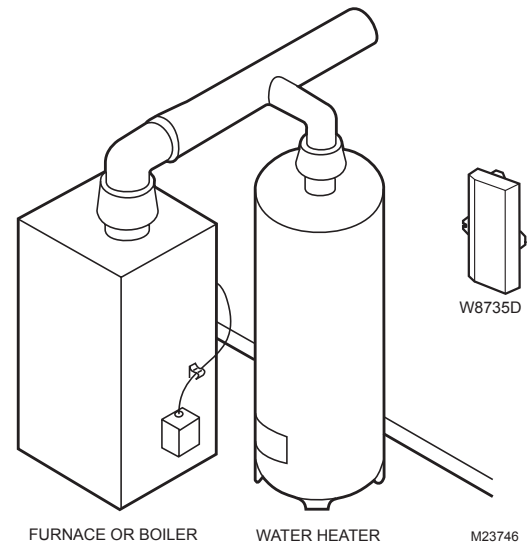
**Humidity Low Limit (high priority, default 25%)** The indoor humidity dropped below the low limit setting.

**Humidity High Limit (high priority, default 70%)** The indoor humidity exceeded the high limit setting.

**System Failure (high priority)** HVAC system/component alert.

**LOCATION AND MOUNTING**

Locate the W8735D near the HVAC equipment and where access to the telephone line is available. See Fig. 1.



**Fig. 1. Locating the W8735D in the Equipment Room.**

**CAUTION**

**Equipment Mounting Damage Hazard.**  
**Can damage W8735D when mounted inside HVAC equipment.**  
 Mount W8735D outside of any HVAC equipment, where access to telephone line is available.

**W8735D Base Installation**

Mount the W8735D in the equipment room near the indoor HVAC equipment. Position the W8735D horizontally so that all wiring connections face toward the floor or vertically so that the power and telephone plugs face the floor. See Fig. 3 on page 4.

1. Turn OFF all power to heating and cooling equipment.
2. Position the W8735D on the wall outside of the indoor HVAC equipment. Level the module for appearances only; the module functions properly even when not level.
3. Use a pencil to mark the mounting holes to be used. The W8735D has two external mounting holes and two external flanges to accommodate a vertical or horizontal installation position. See Fig. 3 on page 4.

## W8735D TELEPHONE ACCESS MODULE

NOTE: Use a minimum of one hole and one flange to mount the W8735D.

4. Remove the W8735D from the wall and drill two 3/16-in. holes in the wall (if drywall) as marked. For firmer material such as plaster, drill two 7/32-in. holes. When mounting on the indoor HVAC equipment, drill pilot holes where marked.
5. When mounting on the wall, gently tap anchors (provided) into the drilled holes until flush with the wall.
6. Position the W8735D over the drilled holes. Insert the mounting screws (provided) in the holes and tighten.
7. A Honeywell label is provided in a bag with the W8735D. Remove the adhesive backing from the label and place it on the unit in its proper orientation as shown in Fig. 3 on page 4.

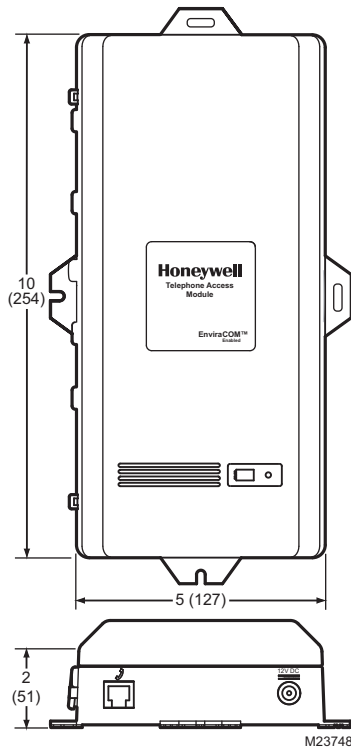


Fig. 2. W8735D Dimensions in inches (mm).

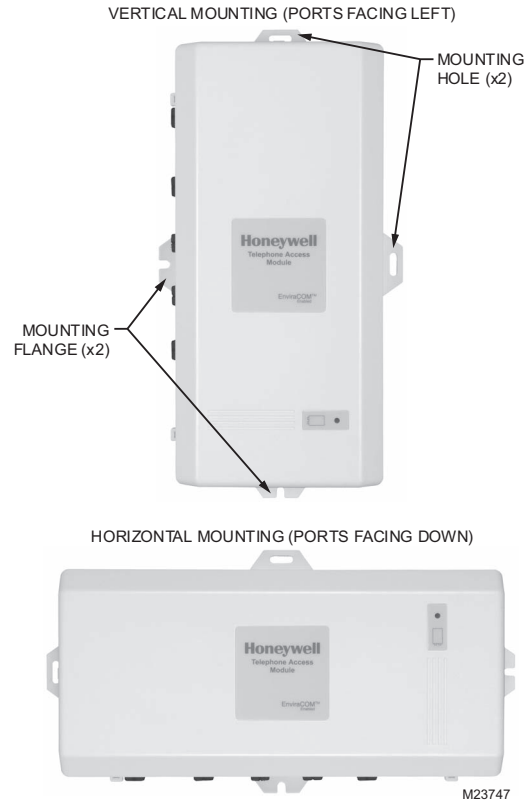


Fig. 3. W8735D Mounting Orientations.

### Automation and Control Solutions

Honeywell International Inc.  
1985 Douglas Drive North  
Golden Valley, MN 55422  
customer.honeywell.com

Honeywell Limited-Honeywell Limitée  
35 Dynamic Drive  
Toronto, Ontario M1V 4Z9

© U.S. Registered Trademark  
© 2007 Honeywell International Inc.  
68-3065 M.S. 03-07



Printed in U.S.A. on recycled paper containing at least 10% post-consumer paper fibers.

# Honeywell