



# Vented Hearth Heaters

Enjoy instant warmth plus lower heating cost with a traditional enclosed or fireplace-look heater!

New glass-front "fireplace-look" or enclosed vented hearth heaters provide comfort for hard-to-heat areas. Our vented hearth heaters are designed to give you maximum efficiency, low fuel consumption and quiet operation.

We have a compact enclosed model for smaller rooms that is both economical to purchase and operate.



35,000-65,000 Btu/hr



**Enclosed Front**  
**35,000-65,000 Btu/hr**

## *Design Features*

- No electricity required
- Burners engineered for quiet ignition and maximum heat efficiency
- Louvered-top design and front grille for improved heat circulation
- Factory-installed ceramic fiber logs (fireplace model)
- Natural and propane gas models (Conversion kit available)
- "Matchless" pilot igniter
- Automatic temperature and safety controls
- Resettable vent-limit safety switch
- Thermostat included, may be wall-mounted or cabinet-mounted



**Soft-White**  
**Available in**  
**20,000 Btu/hr**



**20,000 Btu/hr**  
**Shown**

# Vented Hearth Heaters

Model Number		Btu/hr Input	Btu/hr Output	Color	Efficiency Percentages		Dimensions			Vent Size	Center Vent to Floor	Shipping Weight (lbs.)
Natural	Propane				Thermal	AFUE	Width	Depth	Height			
<b>ENCLOSED FRONT MODELS</b>												
2001622	2001621	20,000	16,000	Black	80.0	73.0	23"	11"	21½"	3"	17"	45
2001622.3	-	20,000	16,000	White	80.0	73.0	23"	11"	21½"	3"	17"	45
3501522	3501521	35,000	26,250	Black	75.0	68.0	25"	15⅝"	28⅞"	4"	21⅜"	74
* 3501922	3501921	35,000	26,250	Black	75.0	68.0	25"	15⅝"	28⅞"	4"	21⅜"	83
5001522	5001521	50,000	34,500	Black	69.0	64.0	30"	16"	32⅞"	4"	22¾"	103
* 5001922	5001921	50,000	34,500	Black	69.0	64.0	30"	16"	32⅞"	4"	22¾"	112
6501522	6501521	65,000	50,400	Black	78.0	71.0	34"	19⅝"	32⅞"	5"	24¾"	128
* 6501922	6501921	65,000	50,400	Black	78.0	71.0	34"	19⅝"	32⅞"	5"	24¾"	137
<b>GLASS FRONT "FIREPLACE LOOK" MODELS</b>												
3502522	3502521	35,000	26,250	Black	75.0	68.0	25"	15⅝"	28⅞"	4"	21⅜"	81
* 3502922	3502921	35,000	26,250	Black	75.0	68.0	25"	15⅝"	28⅞"	4"	21⅜"	90
5002522	5002521	50,000	34,500	Black	69.0	64.0	30"	16"	32⅞"	4"	22¾"	108
* 5002922	5002921	50,000	34,500	Black	69.0	64.0	30"	16"	32⅞"	4"	22¾"	117
6502522	6502521	65,000	50,400	Black	78.0	71.0	34"	19⅝"	32⅞"	5"	24¾"	135
* 6502922	6502921	65,000	50,400	Black	78.0	71.0	34"	19⅝"	32⅞"	5"	24¾"	144

All models have ½" gas connection · Equipped with blower · All models are rated for 4,500' elevation

## Features

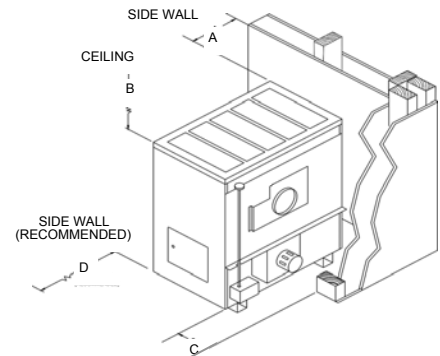
- Contemporary black or white, powder-coat, scratch-resistant finish to complement any décor.
- Equipped with a self-generating, millivolt thermostat that can be wall-mounted or cabinet-mounted.
- 35,000, 50,000 and 65,000 Btu/hr. models are available with a factory installed blower. Blower also available for field installation.

*Requires  
No Electricity*

*Great During  
Power Outages*

## Dimensions and Clearances

Although the vent pipe is not shown, this product must be vented to the outside.



## Accessories

### Vent Collars

Model	Description	Shipping Weight (lbs)
9101	White for 3" vents	1
9102	Black for 3" vents	1
9104	Black for 4" vents	1
9106	Black for 5" vents	1

### Floorboards

Model	Description	Oversized Shipping Weight (lbs)
4163	Black for 50,000 and 65,000 Btu/hr. Models	16
4166	White for 20,000 Btu/hr. Models	10
4167	Black for 20,000 and 35,000 Btu/hr. Models	10

MODEL	A	B	C	D
200 Series	2"	22"	3"	24"
350, 500 & 650 Series	6"	57"	6"	24"

## Blower

A heavy-duty, quiet blower is available for larger rooms where faster heat circulation is desired.  
150 CFM, 120V. **Model 2102**, shipping weight 9 lbs.  
Not for use on 20016 series



## Conversion Kits

### High-Altitude Models



250 West Laurel Street · Colton, California 92324 USA  
(909) 825-0993 · Fax: (909) 370-0581 or (909) 824-8009  
Consumer Line: (888) 256-6465  
Homeowner Assistance: (909) 426-0978  
www.e-wfc.com



## Important

- Read owner's manual before using/installing.
- Photographs are representative only.
- Specify propane or natural gas when ordering.
- Check local codes and ordinances for permitted uses.
- Consult installation manual for clearances prior to installation.
- We reserve the right to amend product specifications without notice.
- Installation and servicing recommended by a qualified service person.
- Please read the warranty, for any limitations or disclaimers. Combustion chamber carries a ten-year limited warranty. All other parts carry a one-year limited warranty.
- Venting must comply with the "Venting and Chimney Requirements" section of installation manual.
- Massachusetts approval G3-0305-171