

XENON™

HEATING & AIR CONDITIONING

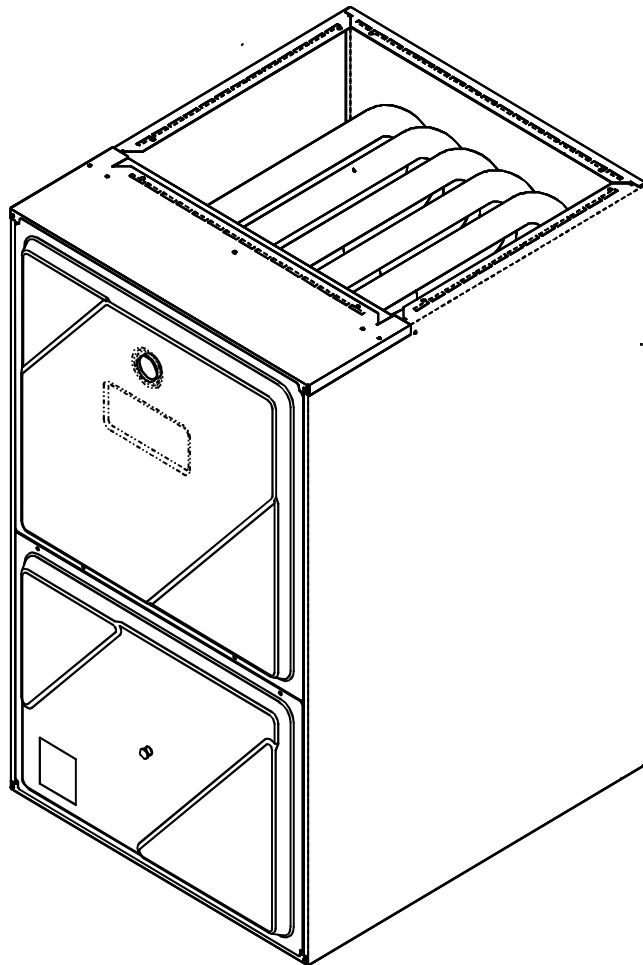
Service Parts

XF9D* 90% Gas Furnace

This manual replaces XP6612003.

Models and manufacturing numbers in this manual

XF9D0703A	P1249602F
XF9D0703B	P1253302F
XF9D0904A	P1249604F
XF9D0904B	P1253304F
XF9D1155A	P1249606F
XF9D1155B	P1253306F



This manual is to be used by
qualified appliance technicians

XP6612003
Revision 1
March 2004

Copyright ©2003-2004 Xenon Heating and Air Conditioning

Important Information

Xenon is not responsible for personal injury or property damage resulting from improper service. Review all service information before beginning repairs.

Warranty service must be performed by an authorized technician, using authorized factory parts. If service is required after the warranty expires, Xenon also recommends contacting an authorized technician and using authorized factory parts.

For assistance, please contact:

Consumer Information Line

1607 Wilson Parkway

Fayetteville, TN 37334

866-936-6621-Telephone

931-438-4827-Facsimile

customersupport@xenonac.com-E-mail

Index

Functional Parts List 4 - 5

Illustration and Parts 6 - 15

Views shown are for parts illustrations only, not servicing procedures.

Revision 1 Adds XF9D*B models.

Text Codes:

- AR - As Required
- NA - Not Available
- NS - Not Shown
- 00000000 - See Note
- QTY - Quantity Example (QTY 3) (If Quantity not shown, Quantity = 1)
- M - Model Example (M1) (If M Code not shown, then part is used on all Models)

Expanded Model and Color Nomenclature:

Example	
M1 - Model#1	P _____
M2 - Model#2	P _____
M3 - Model#3	P _____

Functional Parts

Part

No: Description:

10735102	BECKETT BURNER (QTY AR)
20190601	BLOWER-I.D.
D6879740	CAPACITOR (M3, M6)
D6879746	CAPACITOR (M1, M2, M4, M5)
10207718	CONTROL-INTEG
10735201	FLAME-SENSOR
20200908	HARNESS-WIRING (BLOWER)
20276006	HARNESS-WIRING (MAIN)
20194407	HT EX ASSY 3B (M1)
20194417	HT EX ASSY 3B (M4)
20194408	HT EX ASSY 4B (M2)
20194418	HT EX ASSY 4B FUR (M5)
20194410	HT EX ASSY 5B (M3)
20194419	HT EX ASSY 5B FUR (M6)
20165703	IGNITOR
20162906	LIMIT (PRIMARY) (M1, M4)
20162904	LIMIT (PRIMARY) (M2, M5)
20162907	LIMIT (PRIMARY) (M3, M6)
10123519	LIMIT-RESET MAN (AUXILIARY) (QTY 2)
10123534	LIMIT-RESET MAN (ROLLOUT) (M2, M5)
10123517	LIMIT-RESET MAN (ROLLOUT) (M1, M3, M4, M6)
10759311	MOTOR, BLOWER 1/2 HP (M3, M6)
10759310	MOTOR, BLOWER 1/2 HP (M1, M4)
10759309	MOTOR, BLOWER 1/2 HP (M2, M5)
10716003	ORIFICE (QTY AR)
10690402	SWITCH-INTERLOCK DOOR
20197306	SWITCH-PRESSURE (QTY 2)
C6349703	TRANSFORMER
RF000144	VALVE GAS
D6723319	WHEEL, BLOWER (M1, M4)
D6723320	WHEEL-BLOWER (M2, M5)
D6723311	WHEEL-BLOWER (M3, M6)

Functional Parts

Part

No: Description:

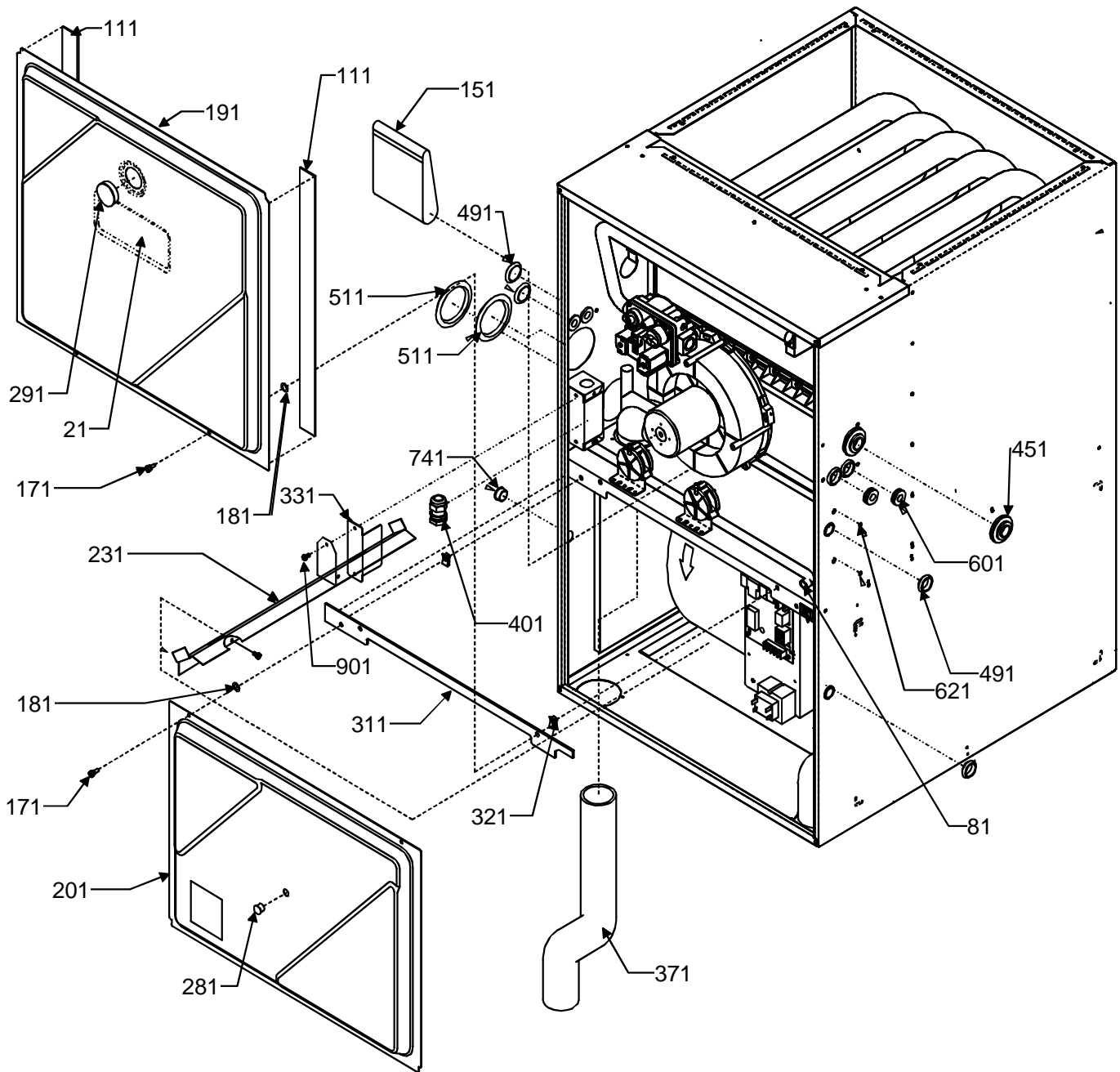
SPECIAL PARTS

20373204	INSTR-INSTALL
20373303	MANUAL-USER
20353501	NAMPLATE-XENON
XP6612003	PARTS MANUAL
10261301S	SCREEN-VENT (M4, M5, M6)
10261302S	SCREEN-VENT (M4, M5, M6)
XS6600001	SERVICE MANUAL
20373405	SPEC SHEET
10195512	STNDPIPE BAG ASSY
XT6612006	TECHNICAL MANUAL (M1, M2, M3)
20315607	WARRANTY

Expanded Model and Color Nomenclature

M1 - XF9D0703A	P1249602F
M2 - XF9D0904A	P1249604F
M3 - XF9D1155A	P1249606F
M4 - XF9D0703B	P1253302F
M5 - XF9D0904B	P1253304F
M6 - XF9D1155B	P1253306F

Cabinet Assembly



Cabinet Assembly

Ref Part No:	Description:	Ref. Part No: No:	Description:
-----------------	--------------	----------------------	--------------

Image 1:

21	20353501	NAMPLATE-XENON
81	20201902	HOSE-DRAIN
151	10195512	STNDPIPE BAG ASSY
171	M0204317	SCREW-MACH (QTY 4)
181	M0273904	RETAINER-SCREW (QTY 4)
191	20177407	DOOR-ACCESS (M3, M6)
191	20273101	DOOR-ACCESS (M1, M4)
191	20273102	DOOR-ACCESS (M2, M5)
201	20177304	DOOR-BLWR (M1, M4)
201	20177305	DOOR-BLWR (M2, M5)
201	20177306	DOOR-BLWR (M3, M6)
231	10368501	RAIL-FILTER
281	20049701	COUPLING-FA (QTY 2)
281	11104001	SNAP-BUSHING CLR
291	11104002	SNAP-BUSHING CLR
311	20339301	GASKET-DECK (M1, M4)
311	20339302	GASKET-DECK (M2, M5)
311	20339303	GASKET-DECK (M3, M6)
321	91000301	NUT-U SPEED (QTY 4)
331	10736201	COVER-HV BOX
341	M0219918	SCREW-SM #8-5/8 (QTY AR)
371	20190504	PIPE-FLUE FA
401	M0571302	BUSHING-W/SEAL
491	M0570804	PLUG-BUTTON (QTY 4)
501	M0570802	PLUG-BUTTON
511	M0570803	PLUG-BUTTON (QTY 2)
551	M0219916	SCREW-SM (QTY AR)
601	A4691701	GROMMET (QTY 2)
621	M0310328	PLUG-TAN BUTTON (QTY 2)
741	M0571002	BUSHING-SNAP (QTY 2)
901	M0216529	SCREW-SM (QTY 2)
NS	B1410301	HOSE-PRESSURE SW 16" (COVER) (M1, M4)
NS	B1410304	HOSE-PRESSURE SW 18" (COVER) (M2, M5)
NS	B1410316	HOSE-PRESSURE SW 22" (COVER) (M3, M5, M6)
NS	B1410311	HOSE-PRESSURE SW 8" (ID BLOWER)

Expanded Model and Color Nomenclature

M1 - XF9D0703A	P1249602F
M2 - XF9D0904A	P1249604F
M3 - XF9D1155A	P1249606F
M4 - XF9D0703B	P1253302F
M5 - XF9D0904B	P1253304F
M6 - XF9D1155B	P1253306F

Blower Assembly

Image 1

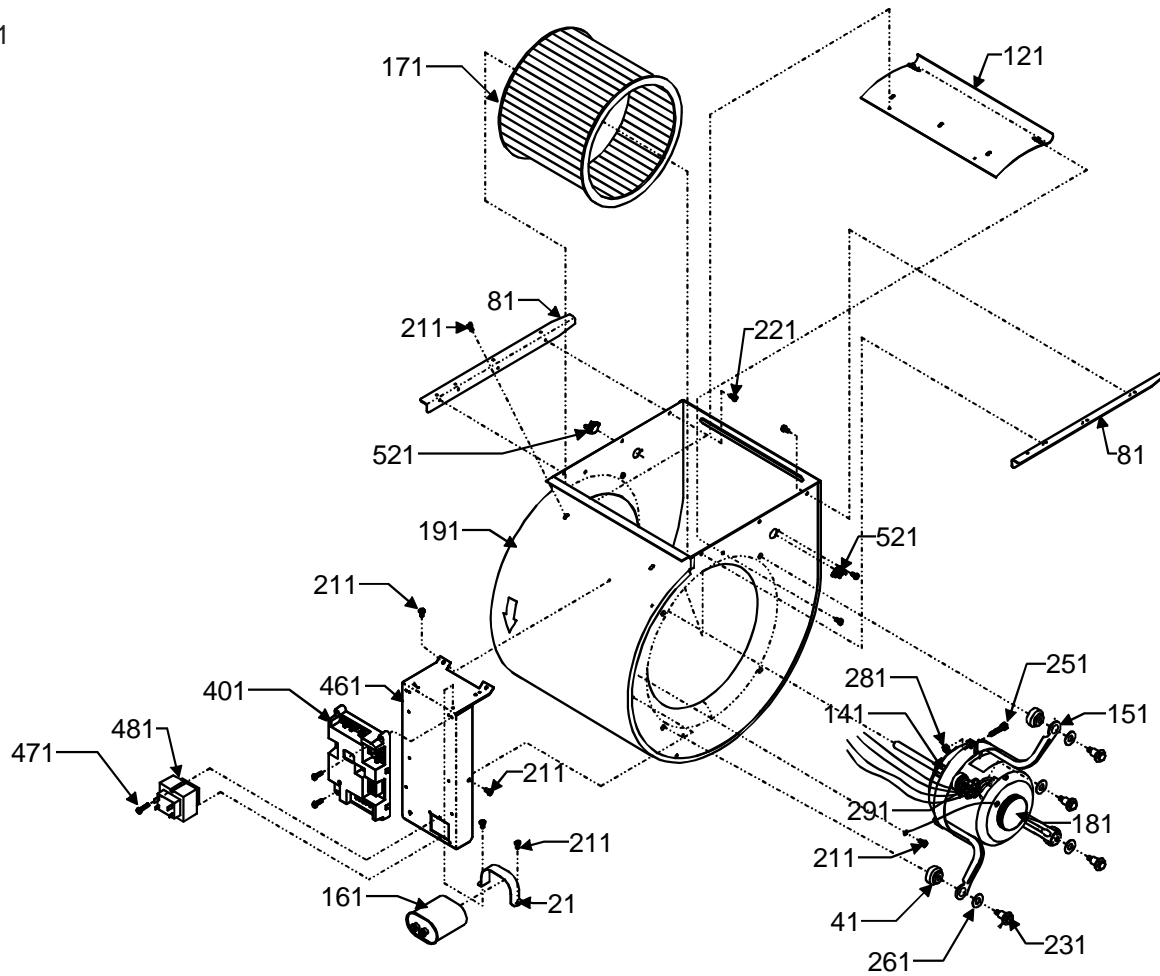
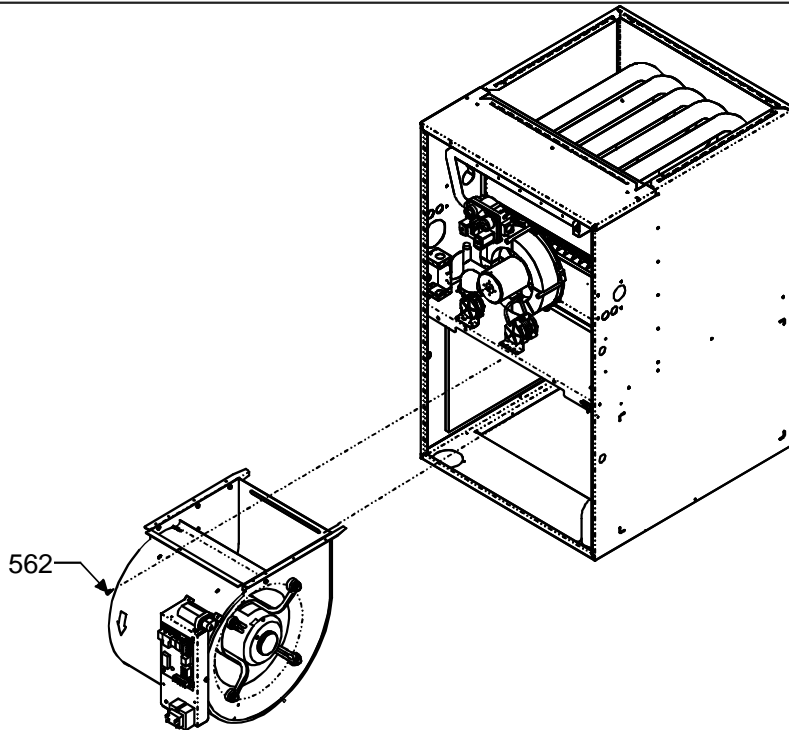


Image 2



Blower Assembly

Ref Part No:	Description:	Ref. Part No:	Description:
--------------	--------------	---------------	--------------

Image 1:

21	A3410501	STRAP-CAPACITOR
41	A4002701	GROMMET (QTY 4)
81	20175101	RAIL-BLWR SIDE (QTY 2)
121	C6121803	CUT OFF (M1, M4)
121	C6121806	CUTOFF (M2, M5)
121	C6121807	CUTOFF (M3, M6)
141	10441601	BAND-MTR MOUNT
151	10441501	ARM-MTR MOUNT (QTY 4)
161	D6879740	CAPACITOR (M3, M6)
161	D6879746	CAPACITOR (M1, M2, M4, M5)
171	D6723319	WHEEL, BLOWER (M1, M4)
171	D6723311	WHEEL-BLOWER (M3, M6)
171	D6723320	WHEEL-BLOWER (M2, M5)
181	10759309	MOTOR, BLOWER 1/2 HP (M2, M5)
181	10759310	MOTOR, BLOWER 1/2 HP (M1, M4)
181	10759311	MOTOR, BLOWER 1/2 HP (M3, M6)
191	11185809	ASSY, BLOWER HSG 11X (M1, M4)
191	11185811	HSG WELD-11X10 (M3, M6)
191	11185810	HSG WELD-11X9 (M2, M5)
211	M0219916	SCREW-SM (QTY AR)
221	M0253516	SCREW-TR (QTY 6)
231	M0221461	SCREW-TC (QTY 4)
251	M0267144	SCREW-MACH
261	M0274008	WASHER-FLAT (QTY 4)
281	M0282015	NUT-KEPS
291	M0321202	TIE-ELEC LG
401	10207718	CONTROL-INTEG
461	10746205	BRACKET-CONT
471	M0216536	SCREW-SM (QTY 2)
481	C6349703	TRANSFORMER
521	10123519	LIMIT-RESET MAN (AUXILIARY) (QTY 2)
551	M0219916	SCREW-SM (QTY AR)

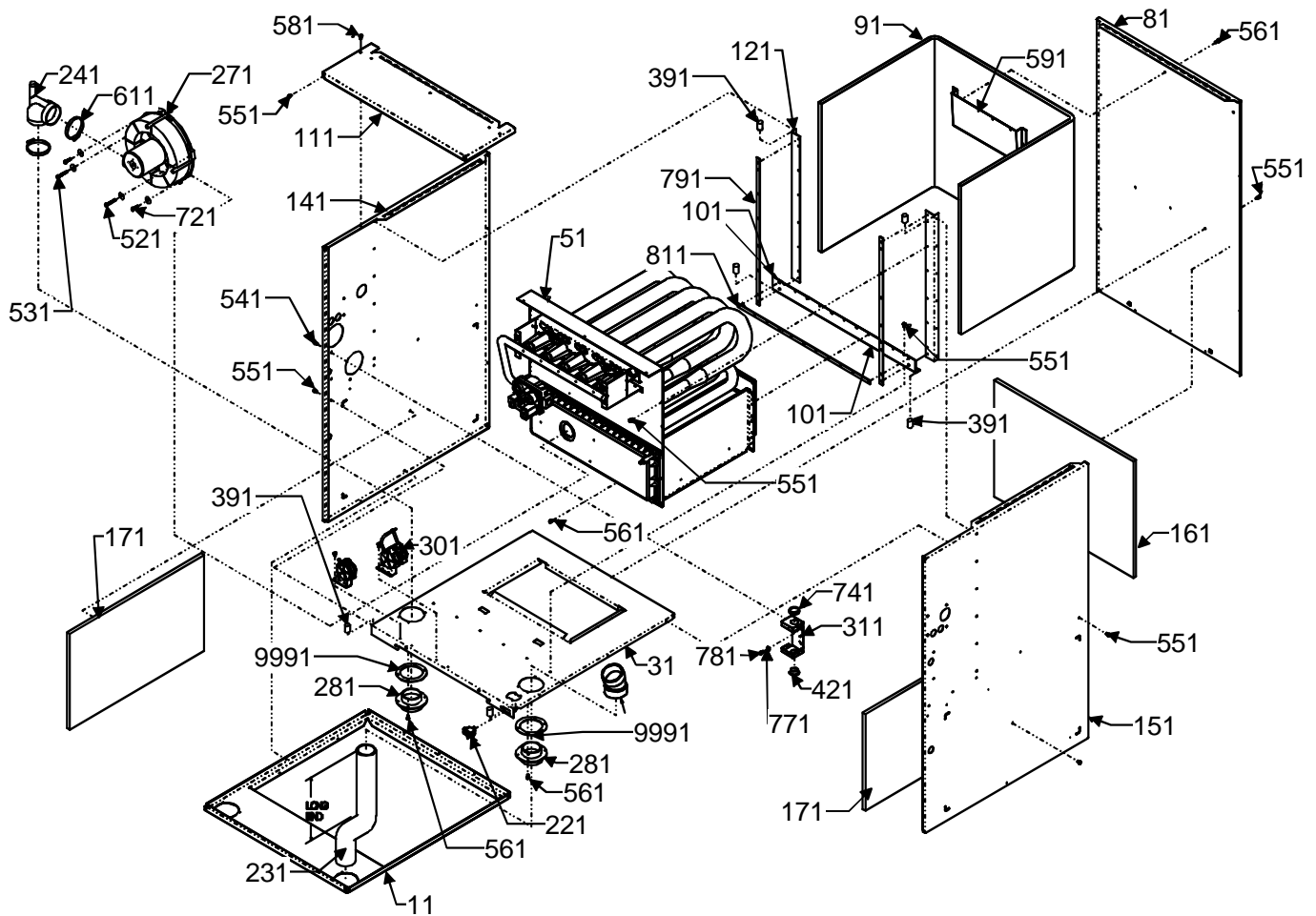
Image 2:

562	M0219918	SCREW-SM #8-5/8 (QTY AR)
-----	----------	--------------------------

Expanded Model and Color Nomenclature

M1 - XF9D0703A	P1249602F
M2 - XF9D0904A	P1249604F
M3 - XF9D1155A	P1249606F
M4 - XF9D0703B	P1253302F
M5 - XF9D0904B	P1253304F
M6 - XF9D1155B	P1253306F

Cabinet Assembly



Cabinet Assembly

Ref Part No:	Description:	Ref. Part No:	Description:
<i>Image 1:</i>		811 20194601	GASKET (M1, M4)
11 20273501	BASEPAN-C'FLOW (M1, M4)	811 20194602	GASKET (M2, M5)
11 20273502	BASEPAN-C'FLOW (M2, M5)	811 20194603	GASKET (M3, M6)
11 20273503	BASEPAN-C'FLOW (M3, M6)	9991 20404401	GASKET-COIL (M1, M4)
21 A3326008	CLAMP-HOSE (QTY 4)	9991 20404402	GASKET-COIL (M2, M5)
31 20190213	DECK-BLWR (M1, M4)	9991 20404403	GASKET-COIL (M3, M6)
31 20190214	DECK-BLWR (M2, M5)		
31 20190215	DECK-BLWR (M3, M6)		
51 20194407	HT EX ASSY 3B (M1)	Expanded Model and Color Nomenclature	
51 20194417	HT EX ASSY 3B (M4)	M1 - XF9D0703A	P1249602F
51 20194408	HT EX ASSY 4B (M2)	M2 - XF9D0904A	P1249604F
51 20194418	HT EX ASSY 4B FUR (M5)	M3 - XF9D1155A	P1249606F
51 20194410	HT EX ASSY 5B (M3)	M4 - XF9D0703B	P1253302F
51 20194419	HT EX ASSY 5B FUR (M6)	M5 - XF9D0904B	P1253304F
81 20273204	PANEL-BACK (M1, M4)	M6 - XF9D1155B	P1253306F
81 20273205	PANEL-BACK (M2, M5)		
81 20273206	PANEL-BACK (M3, M6)		
91 C6415907	INSUL-HT EX (M1, M4)		
91 C6415908	INSUL-HT EX (M2, M5)		
91 C6415909	INSUL-HT EX (M3, M6)		
101 20191301	RAIL-DECK (M1, M4)		
101 20191302	RAIL-DECK (M2, M5)		
101 20191303	RAIL-DECK (M3, M6)		
111 20194513	COVER ASSY (M1, M4)		
111 20194514	COVER ASSY (M2, M5)		
111 20194515	COVER ASSY (M3, M6)		
121 20191601	RAIL-SIDE (QTY 2)		
141 20193406	PANEL-L SIDE		
151 20193306	PANEL-R SIDE		
161 20006601	INSULATION (M1, M4)		
161 20006602	INSULATION (M2, M5)		
161 20006603	INSULATION (M3, M6)		
171 20006604	INSULATION-SIDE (QTY 2)		
221 10690402	SWITCH-INTERLOCK DOOR		
231 20190504	PIPE-FLUE FA		
241 20171801	ELBOW DRAIN		
271 20190601	BLOWER-I.D.		
301 20197306	SWITCH-PRESSURE (QTY 2)		
311 10736102	BOX-HIGH VOLT		
361 20049701	COUPLING-FA (QTY 2)		
391 M0275521	SEALER-PLASTIC		
421 A4554801	BUSHING-SNAP		
451 M0501301	GROMMET-PIPE		
521 M0218154	SCREW-SM (QTY 2)		
531 M0270544	WASHER-FLAT (QTY 4)		
541 M0216716	SCREW-SM (QTY 2)		
551 M0219916	SCREW-SM (QTY AR)		
581 M0211530	SCREW-SM (QTY 5)		
591 11165107	SHIELD ID BLWR		
721 M0218153	SCREW-SM (QTY 2)		
741 M0571002	BUSHING-SNAP (QTY 2)		
771 M0270001	WASHER-CUP		
781 M0227803	SCREW-TC		
791 20194604	GASKET (QTY 2)		

Partition Tube and Manifold Assemblies

Image 1

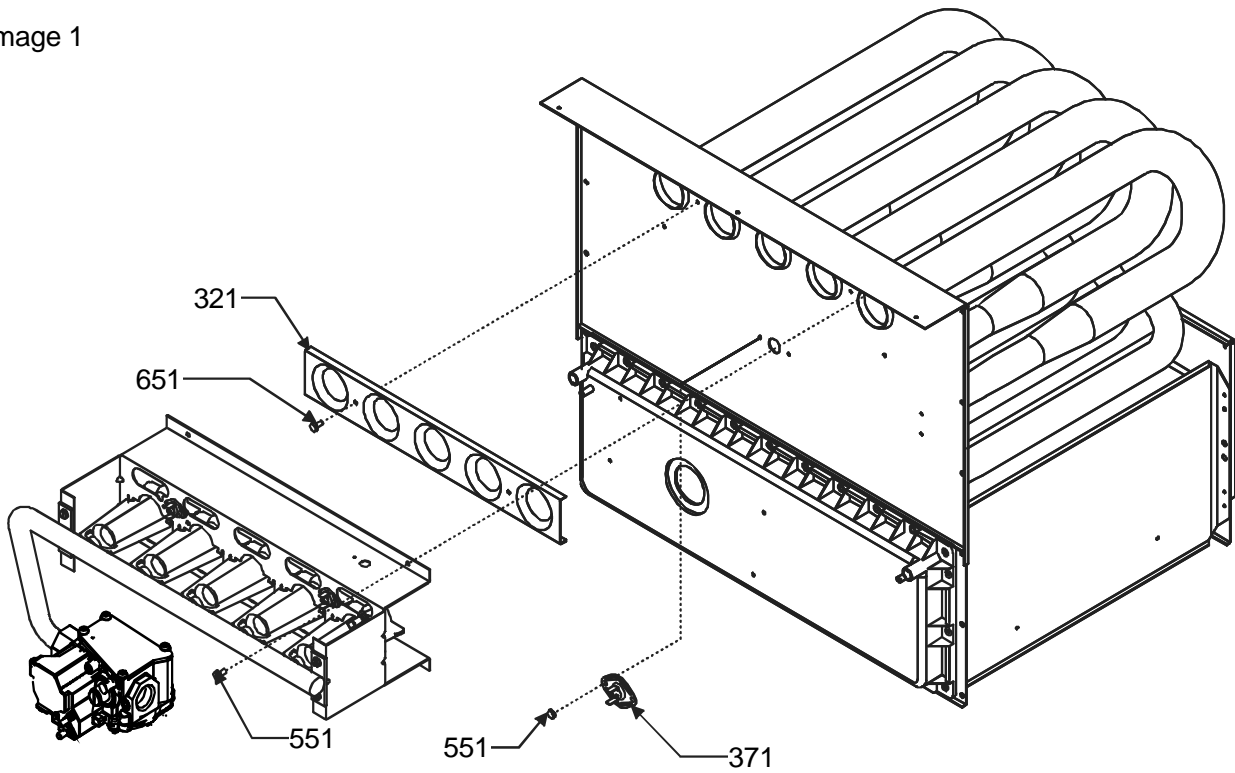
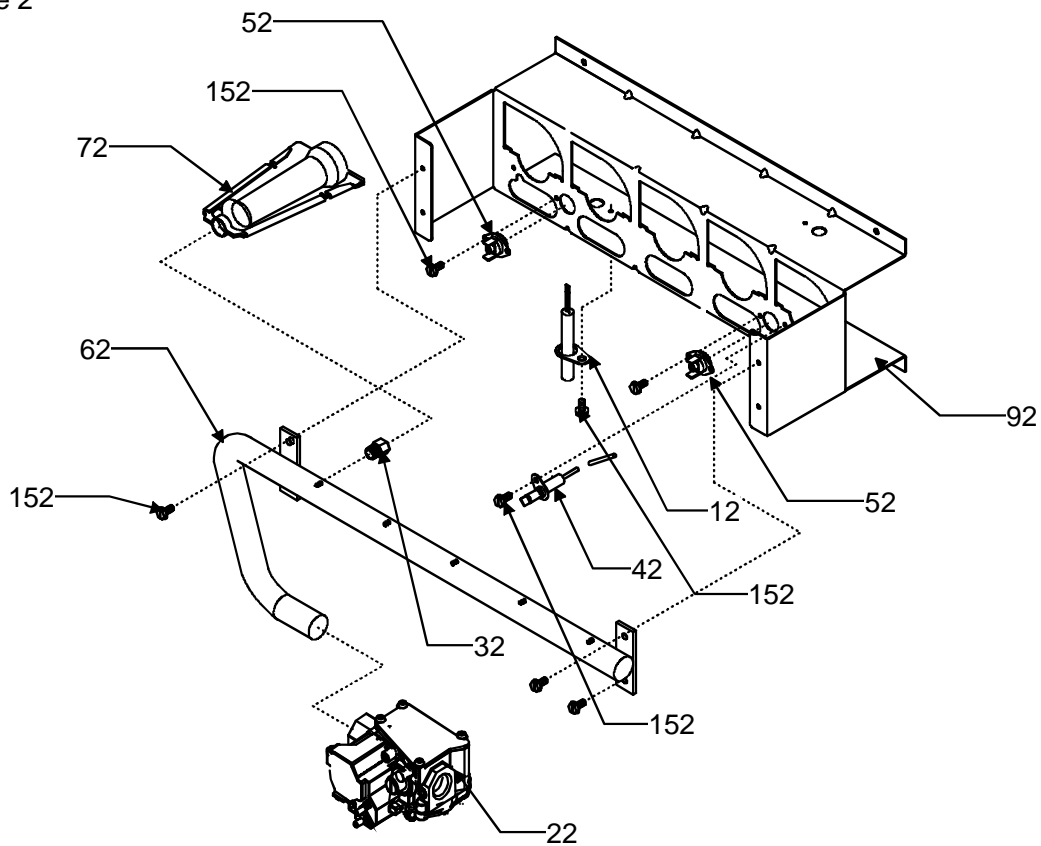


Image 2



Partition Tube and Manifold Assemblies

Ref Part No:	Description:	Ref. Part No:	Description:
--------------	--------------	---------------	--------------

Image 1:

321	11072202	SHIELD-ORF (M1, M4)
321	11072203	SHIELD-ORF (M2, M5)
321	11072204	SHIELD-ORF (M3, M6)
371	20162904	LIMIT (PRIMARY) (M2, M5)
371	20162906	LIMIT (PRIMARY) (M1, M4)
371	20162907	LIMIT (PRIMARY) (M3, M6)
551	M0219916	SCREW-SM (QTY AR)
651	M0211020	SCREW-SM #8-7/8 (QTY 2)

Image 2:

12	20165703	IGNITOR
22	RF000144	VALVE GAS
32	10716003	ORIFICE (QTY AR)
42	10735201	FLAME-SENSOR
52	10123517	LIMIT-RESET MAN (ROLLOUT) (M1, M3, M4, M6)
52	10123534	LIMIT-RESET MAN (ROLLOUT) (M2, M5)
62	20196402	MANIFOLD (M1, M4)
62	20196403	MANIFOLD (M2, M5)
62	20196404	MANIFOLD (M3, M6)
72	10735102	BECKETT BURNER (QTY AR)
92	20190407	BRKT-BURNER 3B (M1, M4)
92	20190408	BRKT-BURNER 4B (M2, M5)
92	20190409	BRKT-BURNER 5B (M3, M6)
152	M0219916	SCREW-SM (QTY AR)

Expanded Model and Color Nomenclature

M1 - XF9D0703A	P1249602F
M2 - XF9D0904A	P1249604F
M3 - XF9D1155A	P1249606F
M4 - XF9D0703B	P1253302F
M5 - XF9D0904B	P1253304F
M6 - XF9D1155B	P1253306F

Recoupe Coil Assembly

Image 1

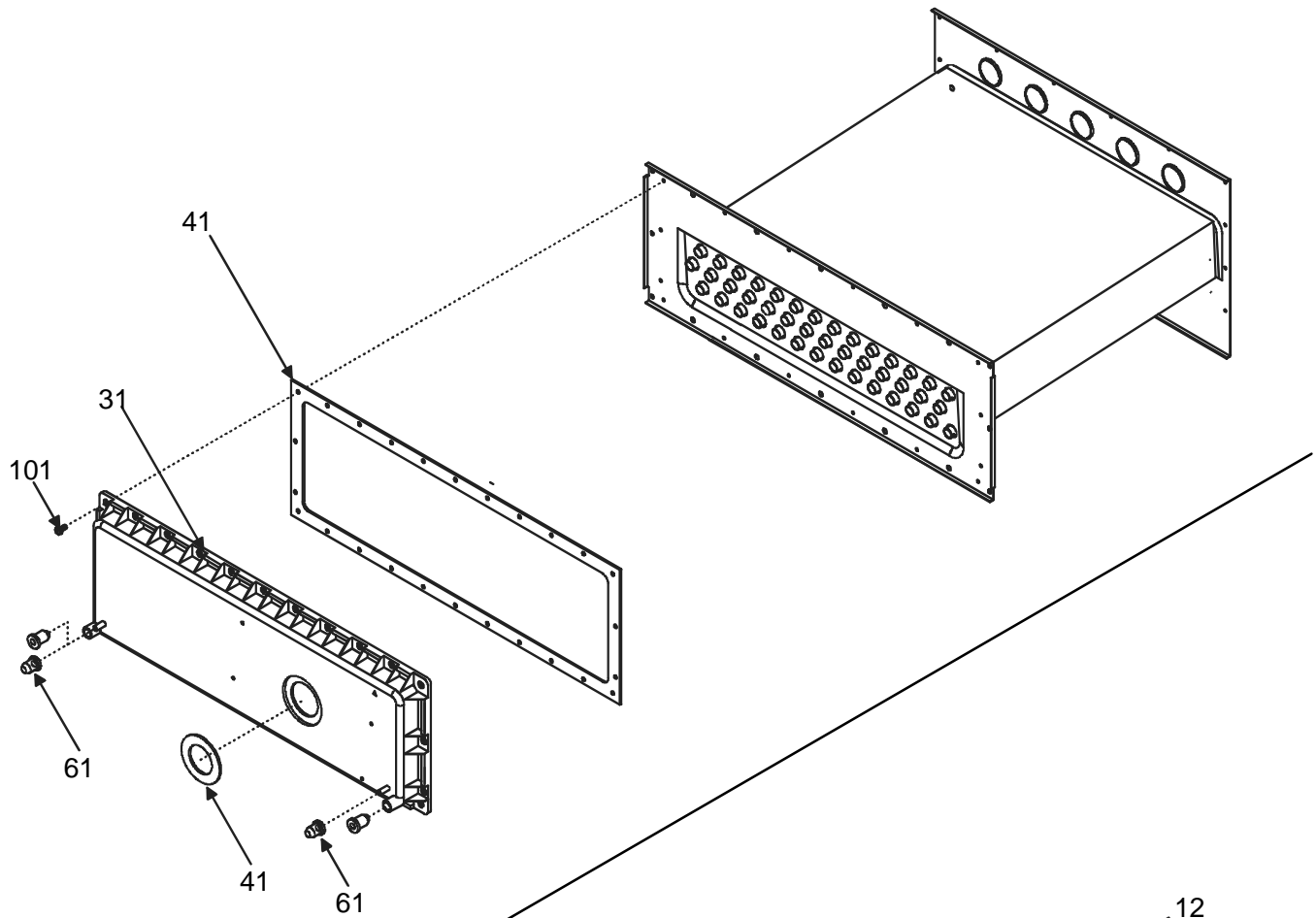
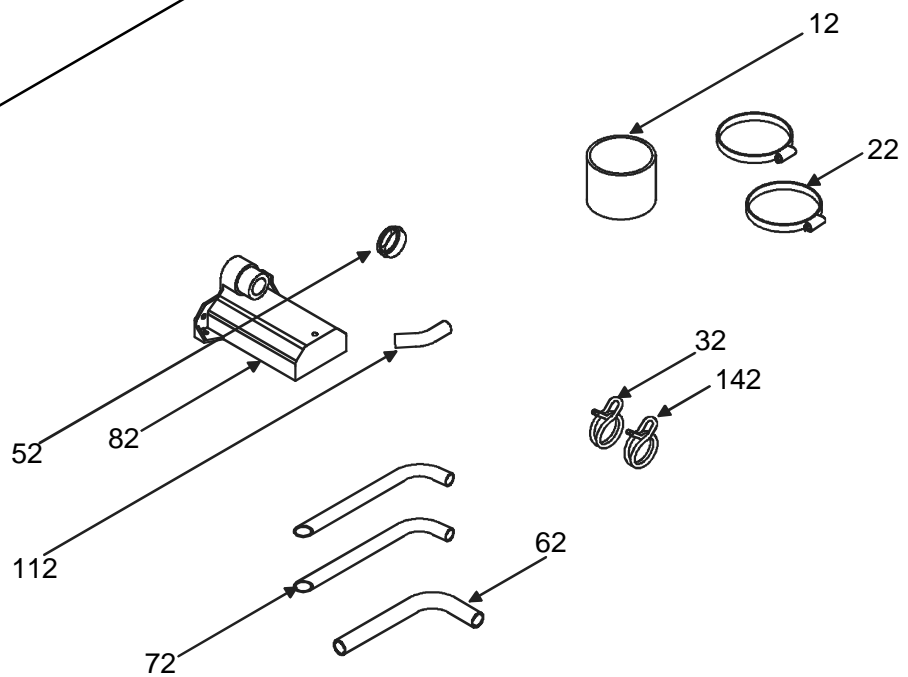


Image 2



Recoupe Coil Assembly

Ref Part No:	Description:	Ref. Part No: No:	Description:
-----------------	--------------	----------------------	--------------

Image 1:

31	20170802A	COVER-FRONT (M1, M4)
31	20170902A	COVER-FRONT (M2, M5)
31	20171002A	COVER-FRONT (M3, M6)
41	20404401	GASKET-COIL (M1, M4)
41	20404402	GASKET-COIL (M2, M5)
41	20404403	GASKET-COIL (M3, M6)
61	M0326804	PLUG-TUBE (QTY 4)
101	M0211031	SCREW-SM #10-5/8 (QTY AR)

Image 2:

12	10254303	COUPLING-RUBBER (QTY 2)
22	A3326008	CLAMP-HOSE (QTY 4)
32	M0119207	CLAMP-HOSE (RED) (QTY 2)
52	M0570804	PLUG-BUTTON
62	20201901	HOSE-DRAIN
72	20201801	TUBE-DRAIN (QTY 2)
82	20171701	DRAIN TRAP
112	20214202	DRAIN-ANGLE
142	M0119205	CLAMP-HOSE (GREEN) (QTY 3)

Expanded Model and Color Nomenclature

M1 - XF9D0703A	P1249602F
M2 - XF9D0904A	P1249604F
M3 - XF9D1155A	P1249606F
M4 - XF9D0703B	P1253302F
M5 - XF9D0904B	P1253304F
M6 - XF9D1155B	P1253306F